



US00D840218S

(12) **United States Design Patent** (10) **Patent No.:** **US D840,218 S**
Thain et al. (45) **Date of Patent:** **** Feb. 12, 2019**

(54) **PACKAGE WITH EARPHONES**
(71) Applicant: **Apple Inc.**, Cupertino, CA (US)
(72) Inventors: **Hamish Thain**, Brooklyn, NY (US);
Eric Treski, Manhattan Beach, CA (US)

2,545,731 A 3/1951 French
2,739,660 A 3/1956 French
3,821,647 A 6/1974 Minasian
D233,444 S 10/1974 Christian et al.
D241,881 S 10/1976 Peterson et al.
(Continued)

(73) Assignee: **Apple Inc.**, Cupertino, CA (US)
(**) Term: **15 Years**

FOREIGN PATENT DOCUMENTS

TW D126814 S 1/2009

(21) Appl. No.: **29/621,348**
(22) Filed: **Oct. 6, 2017**

OTHER PUBLICATIONS

Mac Rumors. Apple Gifts Retail Employees With UrBeats Ear-phones for the Holidays by Juli Clover. Dec. 7, 2015 [earliest online date], [site visited Mar. 13, 2018]. Available from Internet, <URL:https://www.macrumors.com/2015/12/07/apple-urbeats-holiday-gift-2015/>. (Year: 2015).*

Related U.S. Application Data

(63) Continuation of application No. 29/529,588, filed on Jun. 9, 2015, now Pat. No. Des. 799,316.

(Continued)

(51) **LOC (11) Cl.** **09-03**

Primary Examiner — George D. Kirschbaum

(52) **U.S. Cl.**
USPC **D9/415; D9/432**

Assistant Examiner — Darcey E Heflin

(58) **Field of Classification Search**
USPC D3/201, 204; D7/396.1, 550.1, 553.1,
D7/553.2, 553.3, 554.4, 601, 602, 629;
D9/414-416, 418-421, 423-426,
D9/428-436, 455-457, 499, 443, 729;
D14/205, 223

(74) *Attorney, Agent, or Firm* — Sterne, Kessler,
Goldstein & Fox P.L.L.C.

CPC B65D 5/503; B65D 5/36; B65D 5/20;
B65D 71/00; B65D 77/00; B65D 81/00;
B01L 2300/0609

(57) **CLAIM**

The ornamental design for a package with earphones, as shown and described.

See application file for complete search history.

DESCRIPTION

FIG. 1 is a top front perspective view of a package with earphones showing the claimed design; FIG. 2 is a front view thereof; FIG. 3 is a rear view thereof; FIG. 4 is a left side view thereof; FIG. 5 is a right side view thereof; FIG. 6 is a top view thereof; and, FIG. 7 is a bottom view thereof.

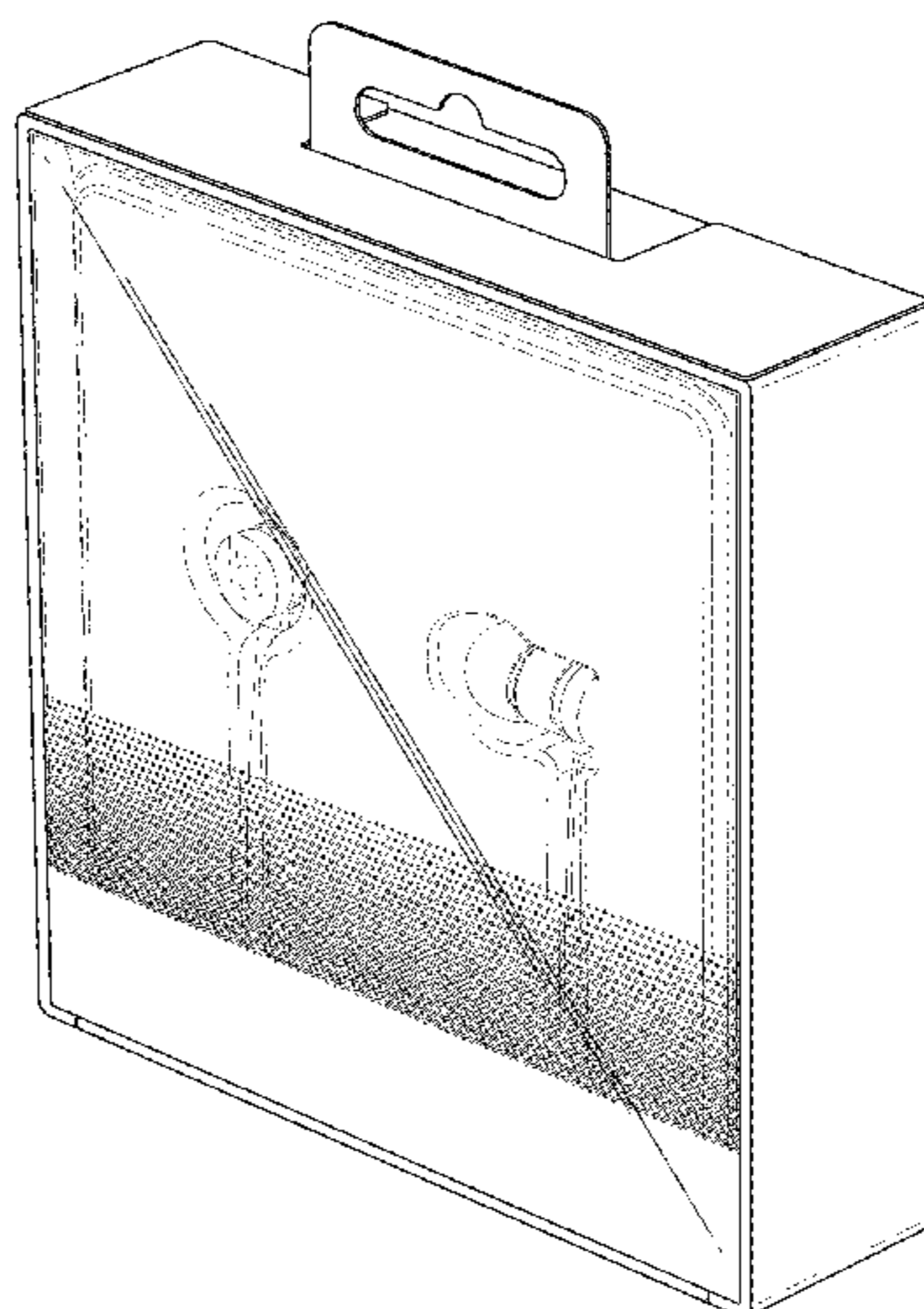
The broken lines in the figures show portions of the package with earphones that form no part of the claimed design.

(56) **References Cited**

U.S. PATENT DOCUMENTS

1,668,890 A 5/1928 Curran et al.
2,009,390 A 7/1935 Bayardi
2,248,837 A 7/1941 Wallers
2,430,229 A 11/1947 Kelsey
2,474,135 A 6/1949 White
2,501,107 A 3/1950 Volkmann

1 Claim, 6 Drawing Sheets



(56)

References Cited

U.S. PATENT DOCUMENTS

4,253,452 A	3/1981	Powers et al.	D578,507 S	10/2008	Ando	
D270,634 S	9/1983	Ungar	D579,005 S	10/2008	Wilhelmsen	
D276,143 S	10/1984	Williams	D579,444 S	10/2008	Ewert et al.	
4,646,872 A	3/1987	Kamon et al.	D582,398 S	12/2008	Nam et al.	
D299,344 S	1/1989	Stevens	D584,293 S	1/2009	Kim et al.	
D299,454 S	1/1989	Kwong	D585,881 S	2/2009	Nam et al.	
D307,719 S	5/1990	Band	D586,332 S *	2/2009	Ewert	D14/223
D309,306 S	7/1990	Weiser et al.	D587,681 S	3/2009	Yanai	
D316,550 S	4/1991	Sogabe	D589,493 S	3/2009	Densho	
D318,670 S	7/1991	Taniguchi	D591,264 S	4/2009	Hong et al.	
D326,655 S	6/1992	Iribe	D593,075 S	5/2009	Williams et al.	
D326,855 S	6/1992	Bose et al.	D594,441 S	6/2009	Lee et al.	
5,179,501 A	1/1993	Ocken et al.	7,551,748 B2	6/2009	Kamo et al.	
D334,043 S	3/1993	Taniguchi et al.	D597,084 S	7/2009	Gondo	
5,410,608 A	4/1995	Lucey et al.	D598,901 S	8/2009	Lee et al.	
D357,921 S	5/1995	Ming-Chin	D599,781 S	9/2009	Lee et al.	
5,625,171 A	4/1997	Marshall	D600,675 S	9/2009	Lee et al.	
5,659,156 A	8/1997	Mauney et al.	D601,126 S	9/2009	Christopher et al.	
D383,757 S	9/1997	Dobrusskin et al.	D602,475 S	10/2009	Martin	
D385,254 S	10/1997	Owusu	D603,837 S	11/2009	Martin	
D393,799 S	4/1998	Pope et al.	D605,628 S	12/2009	Ando	
6,084,976 A	7/2000	Lin	D606,048 S	12/2009	Soetejo et al.	
D430,060 S	8/2000	Kaválek	D607,875 S	1/2010	Pedersen, II	
D430,146 S	8/2000	Lin	7,648,005 B2	1/2010	Leong et al.	
D431,553 S	10/2000	Suzuki	D609,698 S	2/2010	Ng	
D443,859 S	6/2001	Hogan	7,664,287 B2	2/2010	Neu et al.	
D454,062 S	3/2002	Garrant et al.	D613,274 S	4/2010	Lee et al.	
D457,514 S	5/2002	Marion et al.	D614,168 S	4/2010	Rogers et al.	
6,386,314 B1	5/2002	Sheehan et al.	7,708,110 B2	5/2010	Leong et al.	
D459,342 S	6/2002	Marion et al.	D622,707 S	8/2010	Chen et al.	
D460,749 S	7/2002	Liu	D624,529 S	9/2010	Huang	
D463,791 S	10/2002	Nagai et al.	D626,117 S	10/2010	Lowry	
D470,129 S	2/2003	Hlas et al.	D627,764 S	11/2010	Tsai et al.	
D475,996 S	6/2003	Skulley	D627,766 S *	11/2010	Arimoto	D14/223
6,574,345 B1	6/2003	Huang	D628,555 S	12/2010	Ponzio et al.	
D481,377 S	10/2003	Eguchi	D630,179 S	1/2011	Park et al.	
D482,348 S	11/2003	Villaverde et al.	D631,037 S	1/2011	Park et al.	
D485,172 S	1/2004	Defino, Jr.	D631,470 S	1/2011	Yoneyama et al.	
D485,548 S	1/2004	Obata	D634,305 S	3/2011	Hoggarth	
6,728,388 B1	4/2004	Nageno et al.	D636,763 S	4/2011	Walter	
D499,397 S	12/2004	Hlas et al.	D637,182 S	5/2011	Lee et al.	
D507,482 S	7/2005	Kwon	D637,998 S	5/2011	Brunner et al.	
D508,479 S	8/2005	Okada	D637,999 S	5/2011	Brunner et al.	
D508,911 S	8/2005	Sanders	D641,008 S	7/2011	Lee et al.	
D510,085 S	9/2005	Suzuki	D641,010 S	7/2011	Kwon	
D510,337 S	10/2005	Tages	D641,736 S	7/2011	Brunner et al.	
D510,575 S	10/2005	Leong	D642,163 S	7/2011	Lee et al.	
D512,049 S	11/2005	Yang	D643,414 S	8/2011	Lee et al.	
D519,107 S *	4/2006	Yang	D643,416 S	8/2011	Chong et al.	
D523,846 S	6/2006	Lee	D643,417 S	8/2011	Lee et al.	
D526,642 S	8/2006	Choe	D643,418 S	8/2011	Lee et al.	
D529,901 S	10/2006	Ohta	D643,833 S	8/2011	Lee et al.	
D531,169 S	10/2006	Tokioka et al.	8,068,633 B2	11/2011	Lee et al.	
D535,642 S	1/2007	Garcia et al.	D652,817 S	1/2012	Lee et al.	
D538,676 S	3/2007	Millen	D652,822 S	1/2012	Lee et al.	
D542,282 S	5/2007	Yoshiyama	D658,157 S	4/2012	McManigal	
D543,968 S	6/2007	Wong	D666,581 S	9/2012	Perez	
D543,972 S	6/2007	Taylor	D666,996 S	9/2012	Hardi et al.	
D550,657 S	9/2007	Gan et al.	D673,531 S	1/2013	Lee et al.	
D554,109 S	10/2007	Ledbetter et al.	D676,026 S	2/2013	Lee et al.	
D554,627 S	11/2007	Gondo	D678,251 S	3/2013	Cantoni et al.	
D555,152 S	11/2007	Wang	8,391,536 B2	3/2013	Hashimoto	
D556,735 S	12/2007	Yeo	D679,267 S	4/2013	Lee et al.	
D558,735 S	1/2008	Carr et al.	D683,332 S	5/2013	Lee et al.	
D559,837 S	1/2008	Nakano	D684,467 S *	6/2013	Macaulay	D9/432
D564,495 S	3/2008	Sasaki	D686,597 S	7/2013	Lee et al.	
7,349,550 B2	3/2008	Oliveira et al.	D689,471 S	9/2013	Hardi et al.	
D566,104 S	4/2008	Suzuki	D691,464 S	10/2013	Lee et al.	
D566,687 S	4/2008	Duarte et al.	D692,754 S	11/2013	Akana et al.	
D567,646 S	4/2008	Ballard	8,660,287 B2	2/2014	Stephenson	
D569,841 S	5/2008	Chung et al.	D701,195 S	3/2014	Katsumata	
D573,977 S	7/2008	Ledbetter et al.	D707,652 S	6/2014	Brunner et al.	
D574,367 S	8/2008	Jaakkola et al.	D712,279 S	9/2014	Akana et al.	
D575,772 S	8/2008	Schultz et al.	D712,382 S	9/2014	Brunner et al.	
D576,154 S	9/2008	Ledbetter et al.	D713,740 S	9/2014	Akana et al.	
			D716,272 S	10/2014	Yang	
			D716,770 S	11/2014	Bonahoom et al.	
			D723,792 S *	3/2015	Anderson	D3/201
			D727,871 S	4/2015	Orbach	

(56)

References Cited

U.S. PATENT DOCUMENTS

D732,509 S 6/2015 Brunner et al.
 D734,142 S 7/2015 Lee et al.
 D734,744 S 7/2015 Brunner et al.
 D740,690 S 10/2015 Glass et al.
 D741,299 S 10/2015 Brunner et al.
 D742,859 S 11/2015 Miyake et al.
 D742,860 S 11/2015 Miyake et al.
 D743,945 S 11/2015 Brunner et al.
 D743,946 S 11/2015 Brunner et al.
 D746,792 S 1/2016 Kim
 D749,964 S 2/2016 Glass et al.
 D751,530 S 3/2016 Kolton
 D758,841 S 6/2016 Russo
 D762,465 S * 8/2016 Popper D9/415
 D762,616 S 8/2016 Hsieh et al.
 D774,489 S * 12/2016 Loh Jun Kern D14/205
 D775,108 S * 12/2016 Hsieh D14/223
 D779,327 S * 2/2017 Fraser D9/499

D780,155 S * 2/2017 Levine D14/205
 D786,664 S * 5/2017 Lee D9/418
 D799,316 S * 10/2017 Thain D9/415
 D803,185 S * 11/2017 Loh Jun Kern D14/205
 2011/0051979 A1 3/2011 Lee et al.
 2011/0211723 A1 9/2011 Annunziato

OTHER PUBLICATIONS

Search Report for Taiwanese Application No. 099303307 dated Oct. 3, 2011.
 Ammunition Group. Beats Powerbeats2 Wireless Review. Retrieved Aug. 24, 2016. Available from Internet, <URL:http://www.ammunitiongroup.com/work/powerbeats2-wireless/>.
 DIY Trade. Powerbeats2 Wireless Earphones. Retrieved Aug. 24, 2016. Available from Internet, <URL:http://www.diytrade.com/china/pd/12771090/Powerbeats2_Wireless_Earphones_Powerbeats_Wireless_Earbud_Powerbeats_2_Wireless.html>.

* cited by examiner

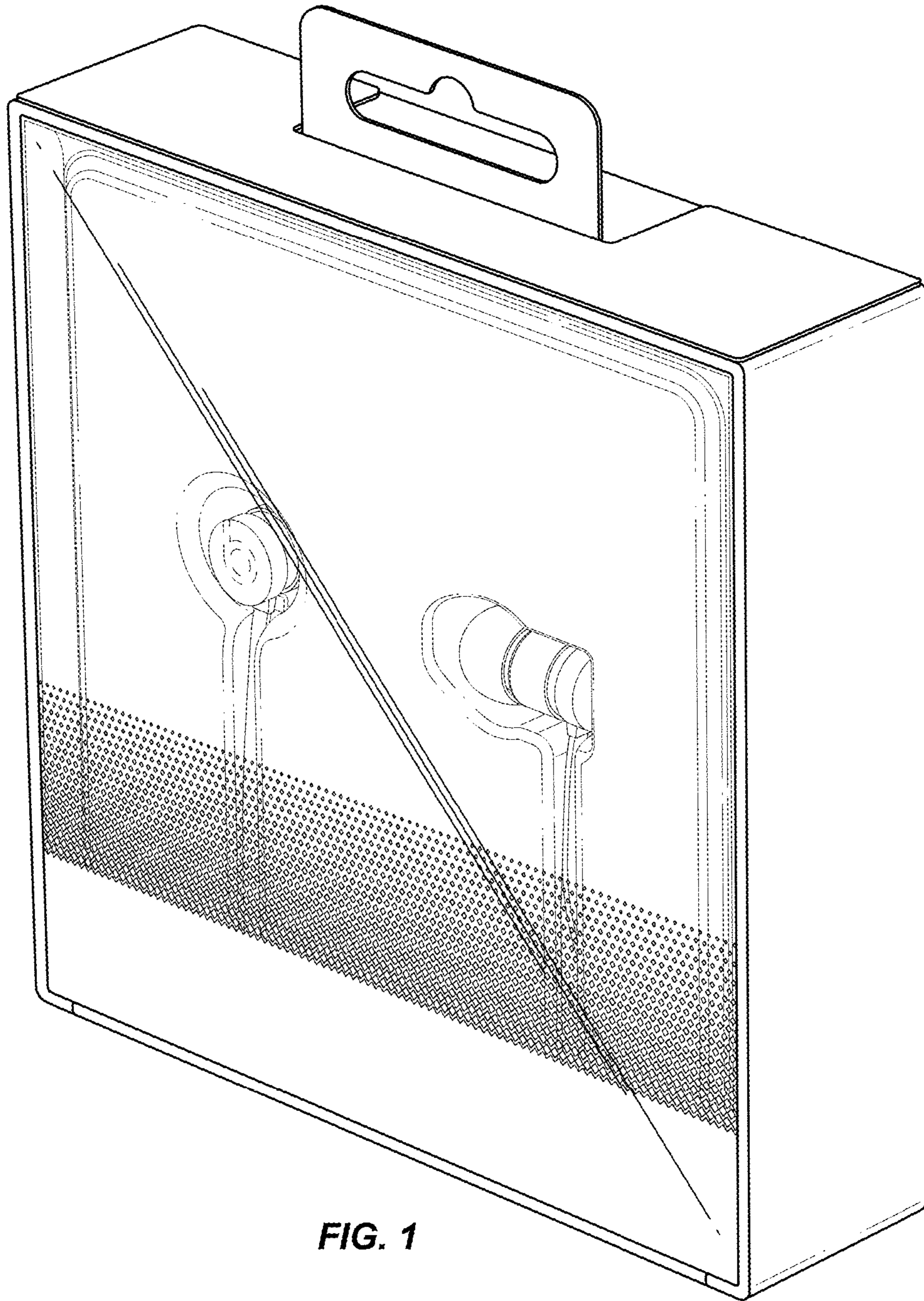


FIG. 1

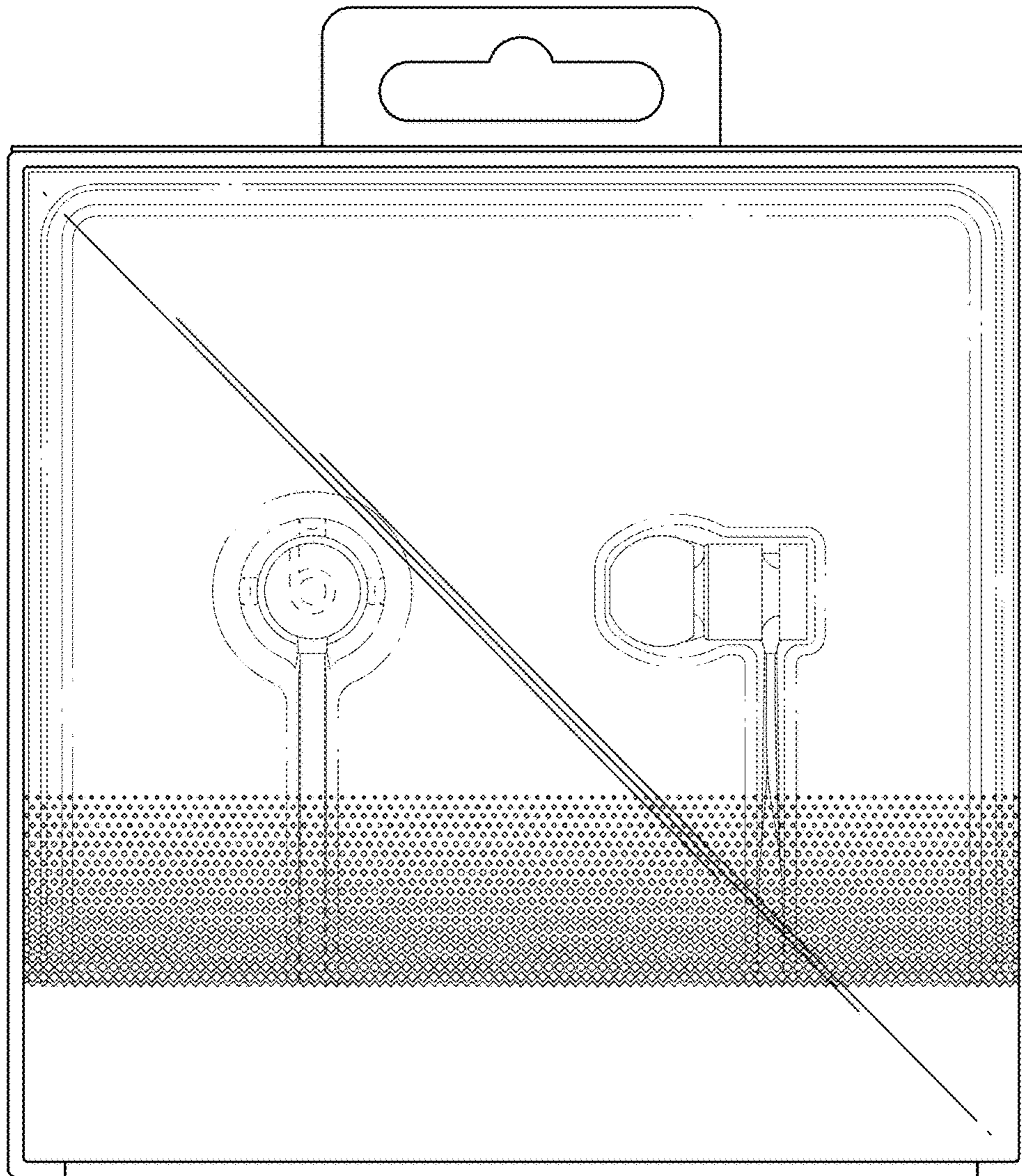


FIG. 2

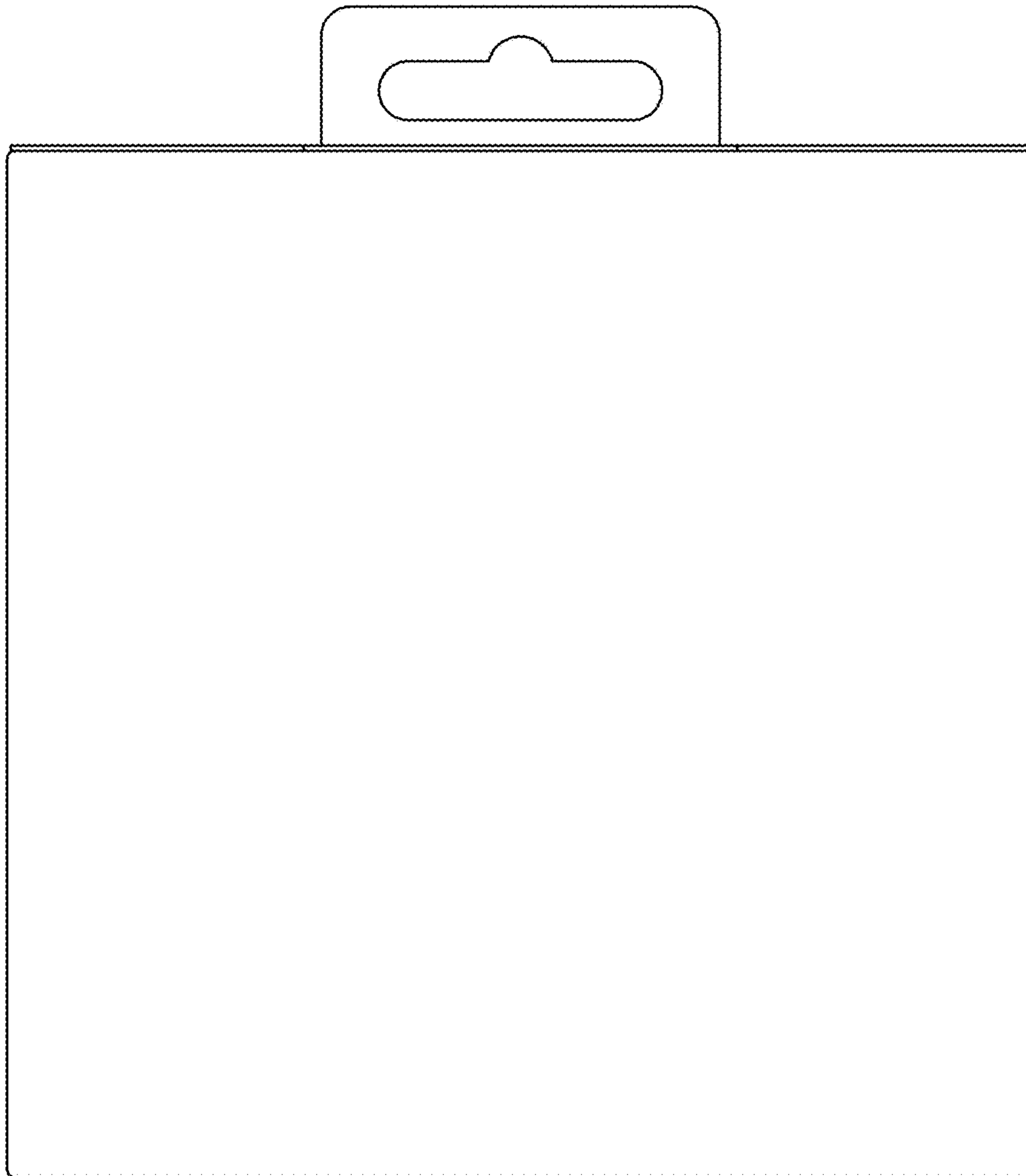


FIG. 3

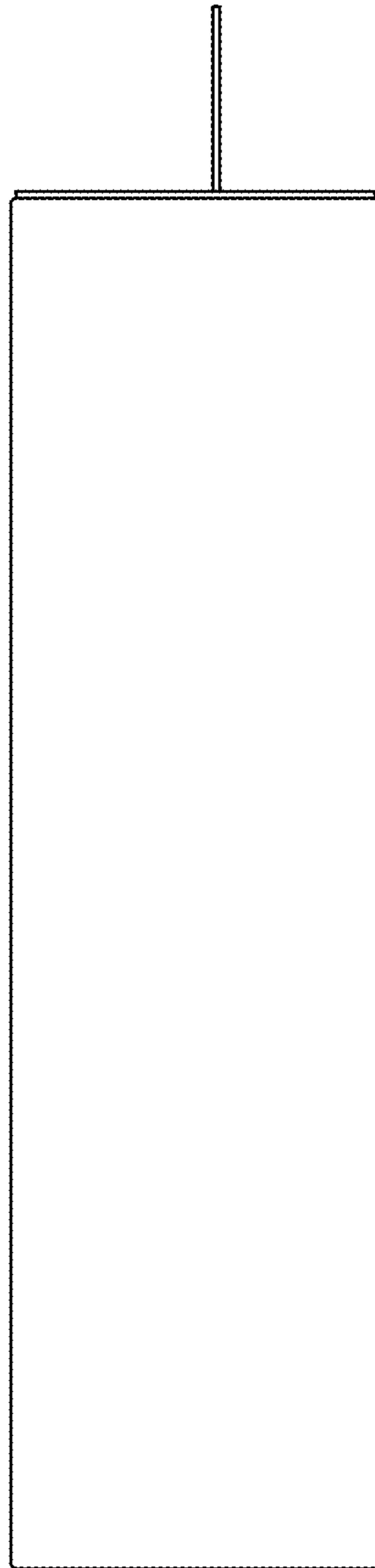


FIG. 4

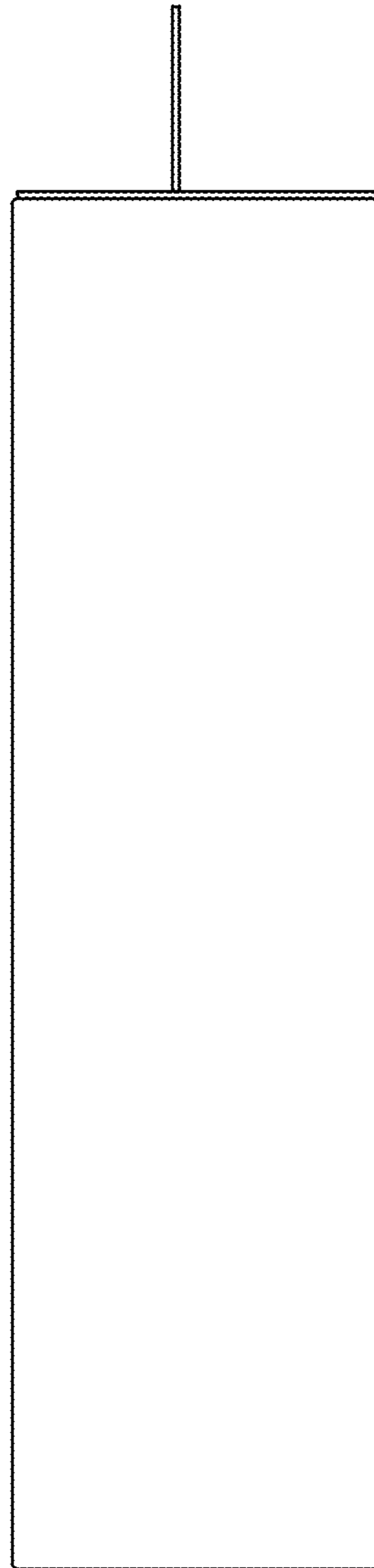


FIG. 5

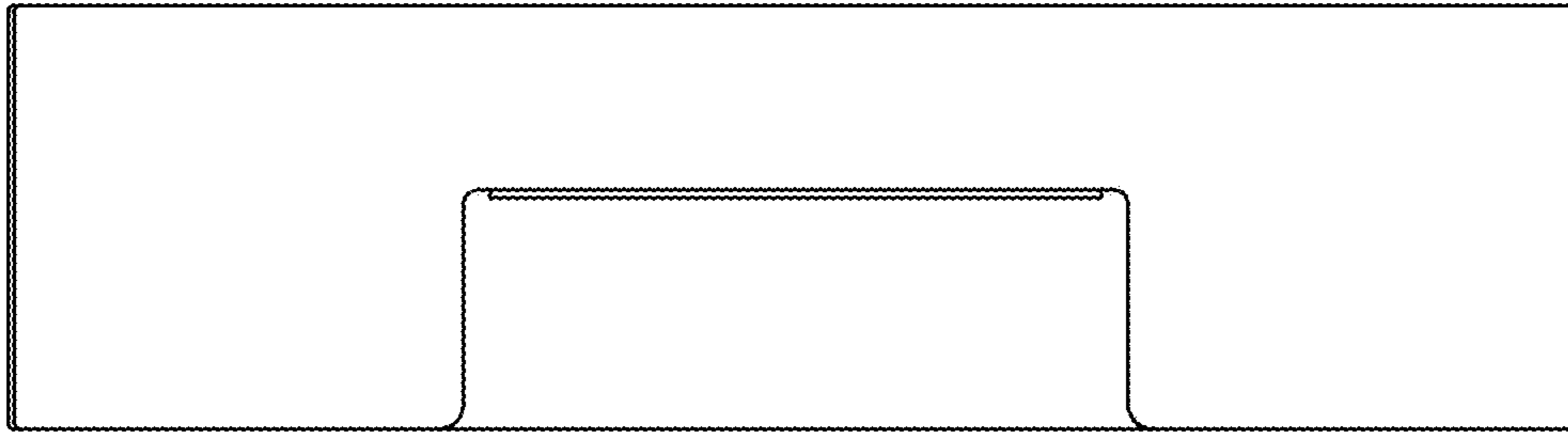


FIG. 6



FIG. 7