

US00D840216S

(12) **United States Design Patent**
Park

(10) **Patent No.:** **US D840,216 S**

(45) **Date of Patent:** **** Feb. 12, 2019**

(54) **EARTHQUAKE-RESISTANT DECK INSERT**

(71) Applicant: **Jung Hwa Park**, Ansan-si (KR)

(72) Inventor: **Jung Hwa Park**, Ansan-si (KR)

(**) Term: **15 Years**

(21) Appl. No.: **29/613,172**

(22) Filed: **Aug. 8, 2017**

(30) **Foreign Application Priority Data**

Feb. 14, 2017 (KR) 30-2017-0006845

(51) **LOC (11) Cl.** **08-08**

(52) **U.S. Cl.**
USPC **D8/382**

(58) **Field of Classification Search**
USPC D8/382, 331, 333, 340, 343, 349, 387,
D8/388, 391, 393, 397, 399
CPC C04B 28/02; C04B 14/42; C04B 14/34;
C04B 24/24; B29C 73/22
See application file for complete search history.

(56) **References Cited**

U.S. PATENT DOCUMENTS

D185,171 S *	5/1959	Price	D8/385
D228,736 S *	10/1973	Hall	D8/360
D231,900 S *	6/1974	Hewson	D8/373
D242,878 S *	12/1976	Eriksson	D24/114
D283,591 S *	4/1986	Swanstrom	D8/382
D320,082 S *	9/1991	Wyatt	D24/129
D357,176 S *	4/1995	Ernest	D8/387
D391,844 S *	3/1998	Ropponen	D8/382
D392,179 S *	3/1998	Ropponen	D8/387
D411,952 S *	7/1999	Alderisio, Jr.	D8/387
D459,301 S *	6/2002	Fan Wong	D13/133
D483,861 S *	12/2003	Law	D24/112
D484,781 S *	1/2004	Miller	D8/382
D496,852 S *	10/2004	Gass	D8/387

D498,414 S *	11/2004	Yoneoka	D8/382
D548,580 S *	8/2007	Burger	D8/387
D548,608 S *	8/2007	Paletz	D8/382
D558,673 S *	1/2008	Easley	D13/133
7,318,677 B2 *	1/2008	Dye	G02B 6/3821 385/53
D561,008 S *	2/2008	Jones	D8/355
D585,730 S *	2/2009	Fernandez	D8/387
D627,215 S *	11/2010	Summers	D8/387
D639,650 S *	6/2011	Summers	D8/387
D650,897 S *	12/2011	Peuker	D24/114
D652,929 S *	1/2012	Sibhatu	D24/156
D656,392 S *	3/2012	McKenna	D8/382
D658,481 S *	5/2012	Pratt	D8/349
D661,975 S *	6/2012	Mahaffey	D8/330
D704,039 S *	5/2014	Bugeja	D8/387
D720,609 S *	1/2015	David	D8/387
D733,546 S *	7/2015	Balzhiser	D8/387
D738,707 S *	9/2015	Tung	D8/356

(Continued)

Primary Examiner — David G Muller

Assistant Examiner — Nathan M Johnston

(74) *Attorney, Agent, or Firm* — Frank Rosenberg

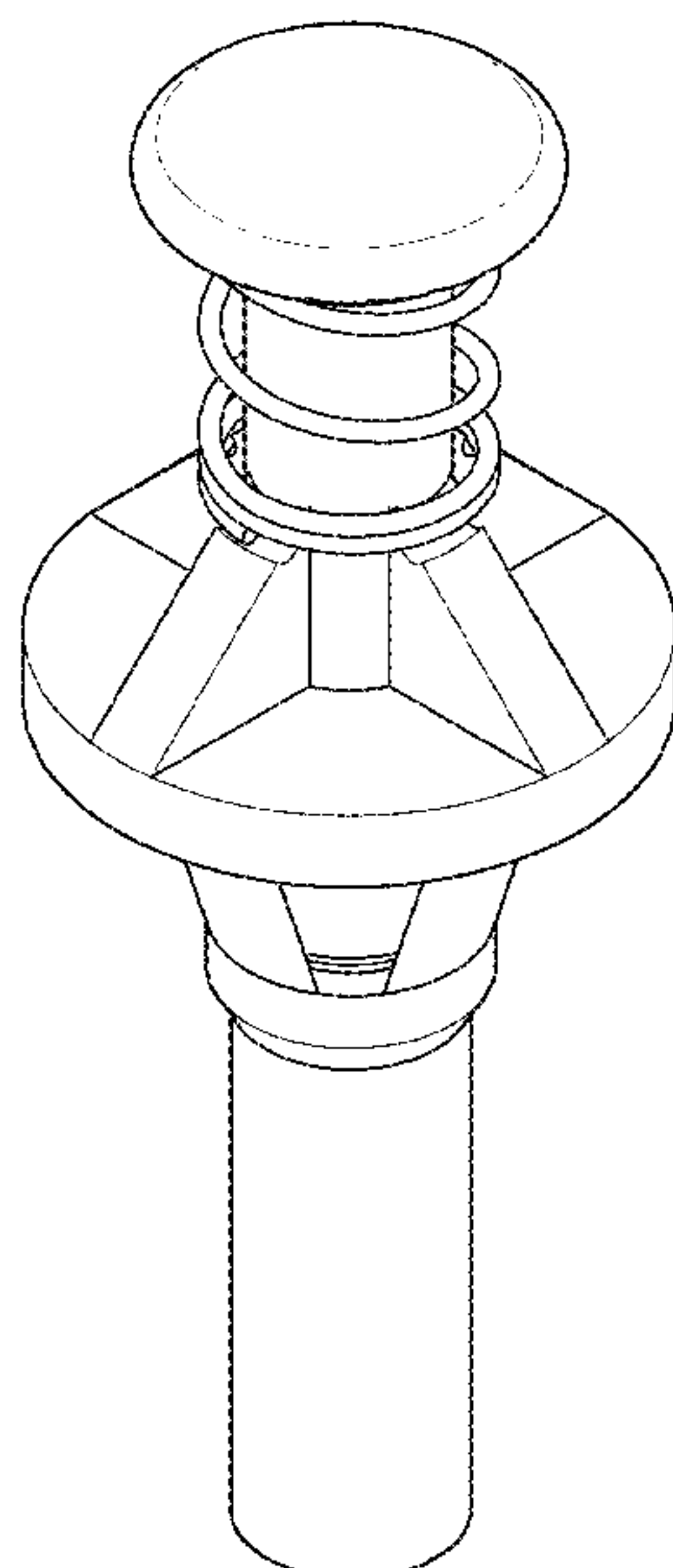
(57) **CLAIM**

I claim, the ornamental design for an earthquake-resistant deck insert, as shown and described.

DESCRIPTION

FIG. 1 is a perspective view of an earthquake-resistant deck insert showing my new design;
FIG. 2 is a front elevational view thereof,
FIG. 3 is a rear elevational view thereof,
FIG. 4 is a left side elevational view thereof,
FIG. 5 is a right side elevational view thereof,
FIG. 6 is a top plan view thereof;
FIG. 7 is a bottom plan view thereof; and,
FIG. 8 is an exploded view of the earthquake-resistant deck insert.

1 Claim, 8 Drawing Sheets



(56)

References Cited

U.S. PATENT DOCUMENTS

D741,159 S * 10/2015 Campbell D8/387
D747,645 S * 1/2016 Pascoe D8/397
D774,984 S * 12/2016 Panichgasem D12/118
9,714,674 B1 * 7/2017 Rosebrugh F16B 35/00
10,041,518 B1 * 8/2018 Spanknooble F16B 5/0208
2006/0182513 A1 * 8/2006 Dortch F16B 23/0061
411/338
2015/0300392 A1 * 10/2015 Cabrit A63B 29/024
248/231.91

* cited by examiner

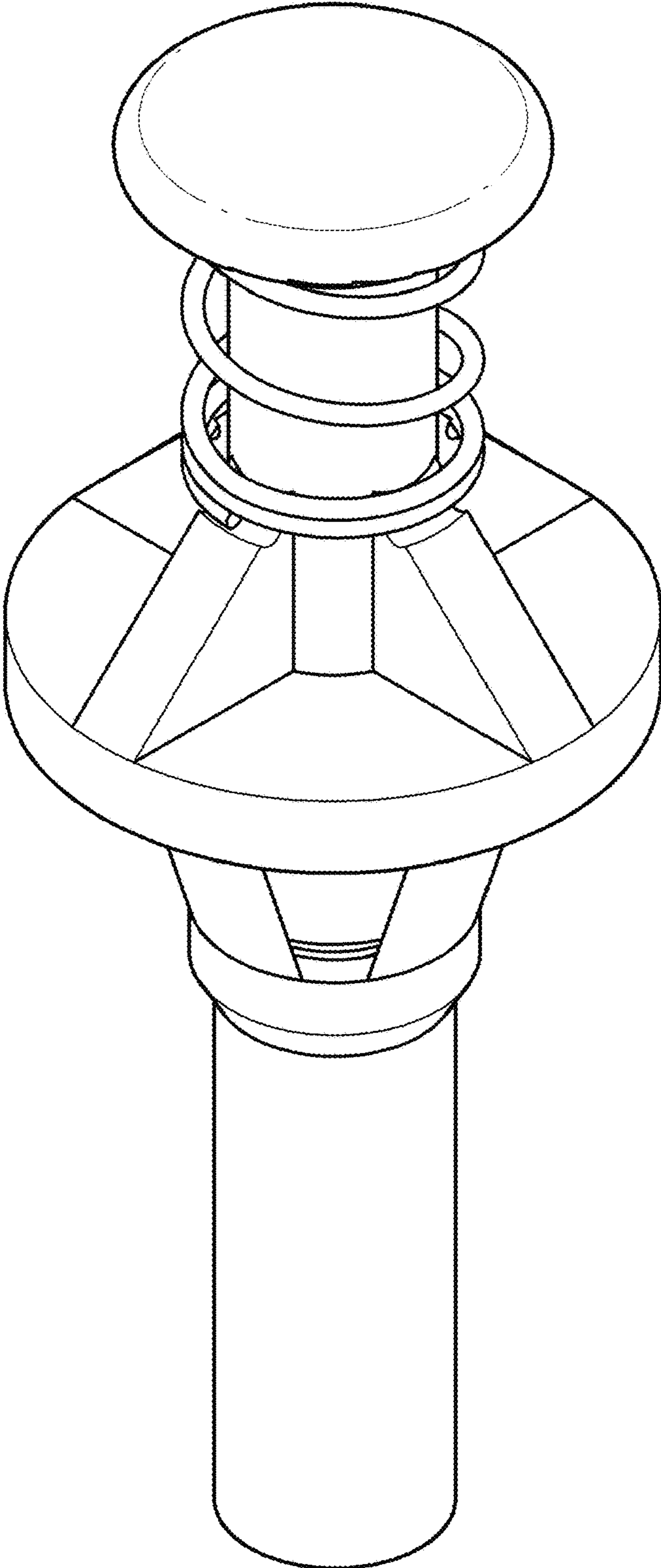


Fig. 1

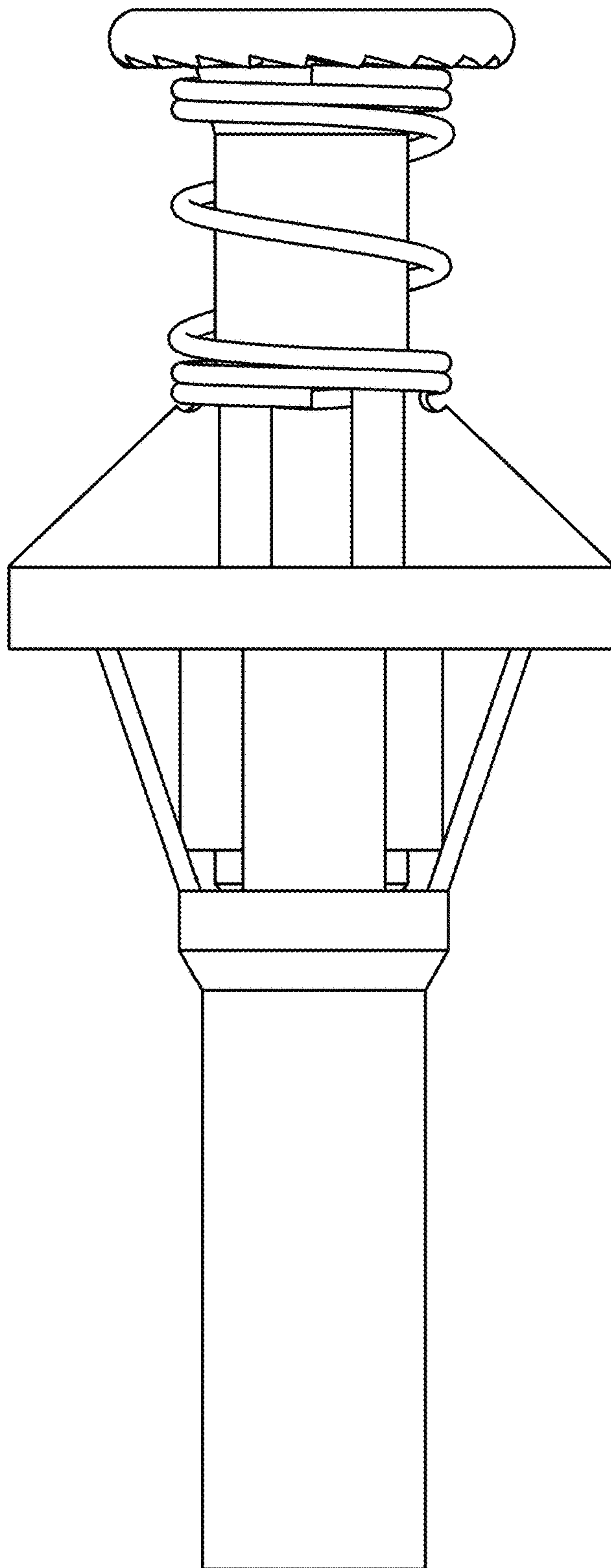


Fig. 2

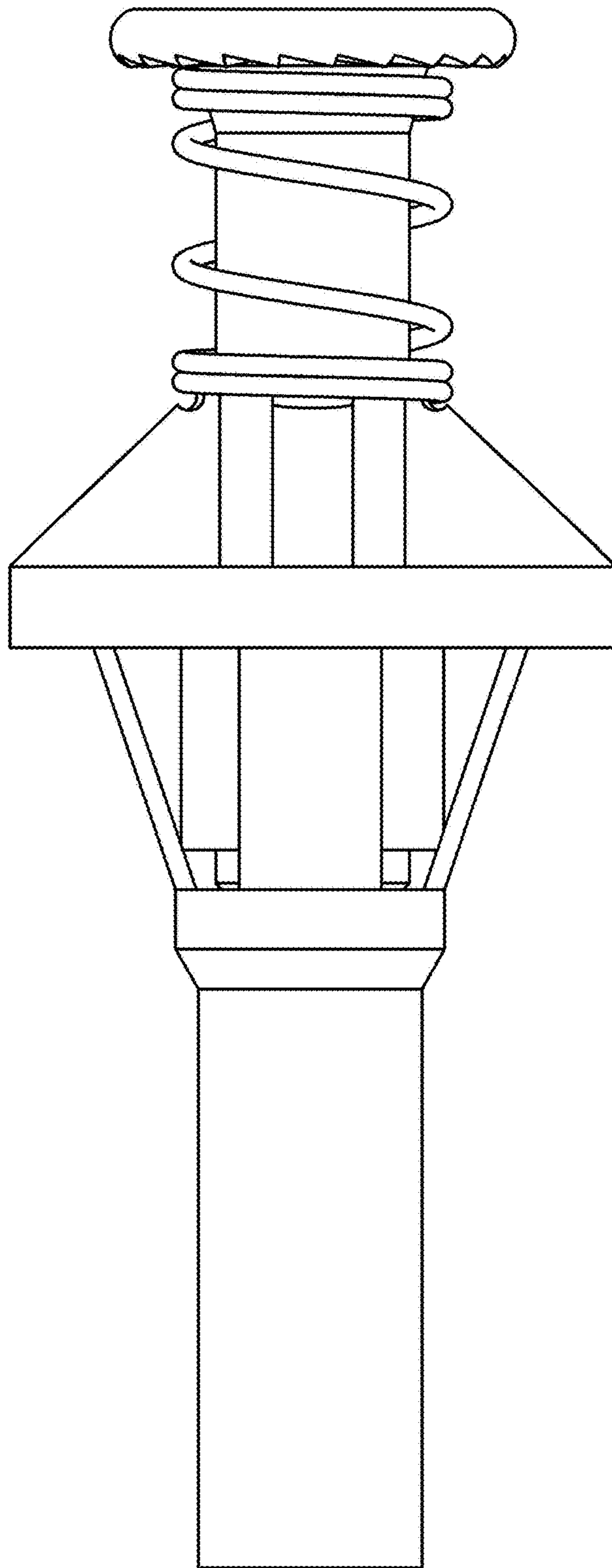


Fig. 3

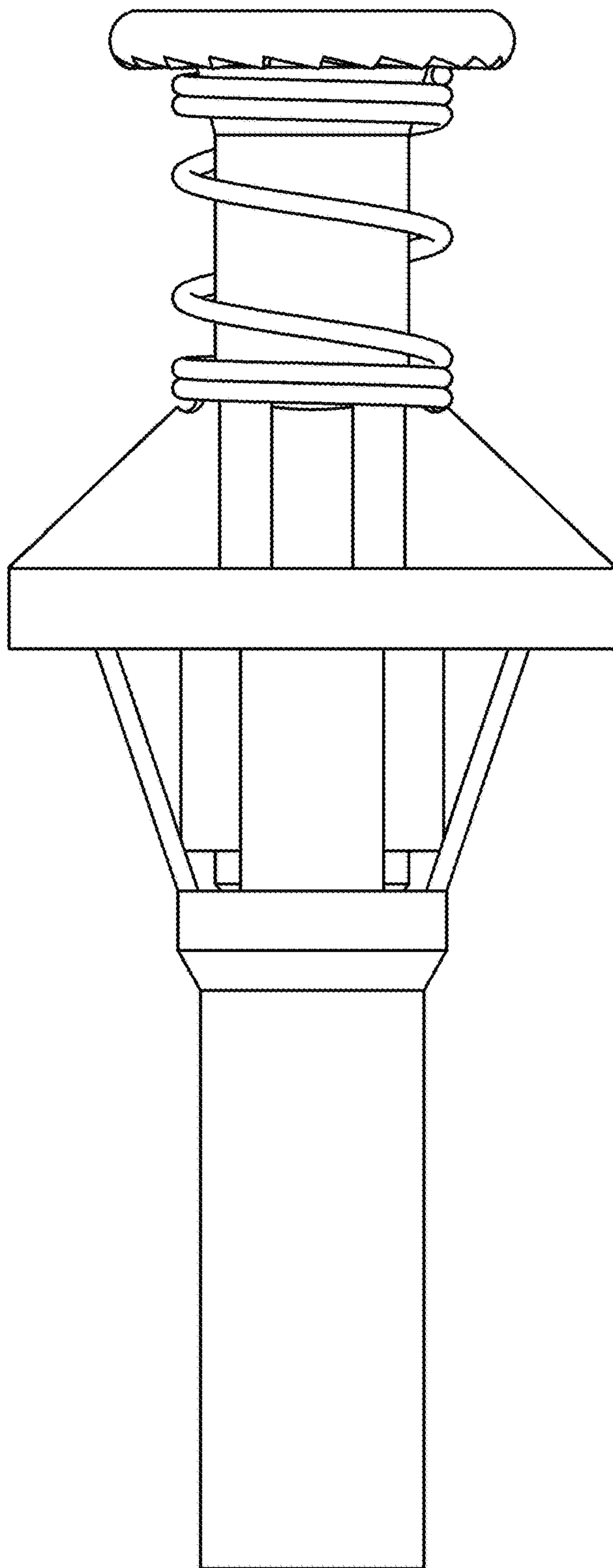


Fig. 4

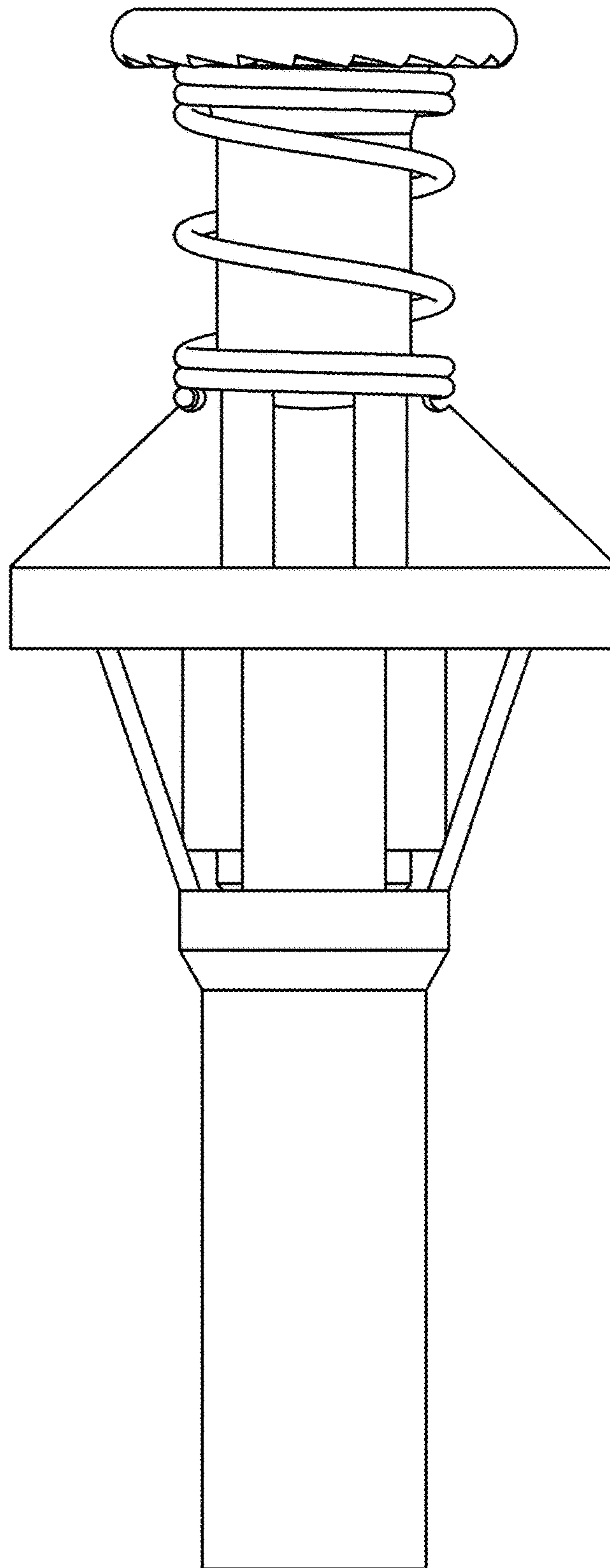


Fig. 5

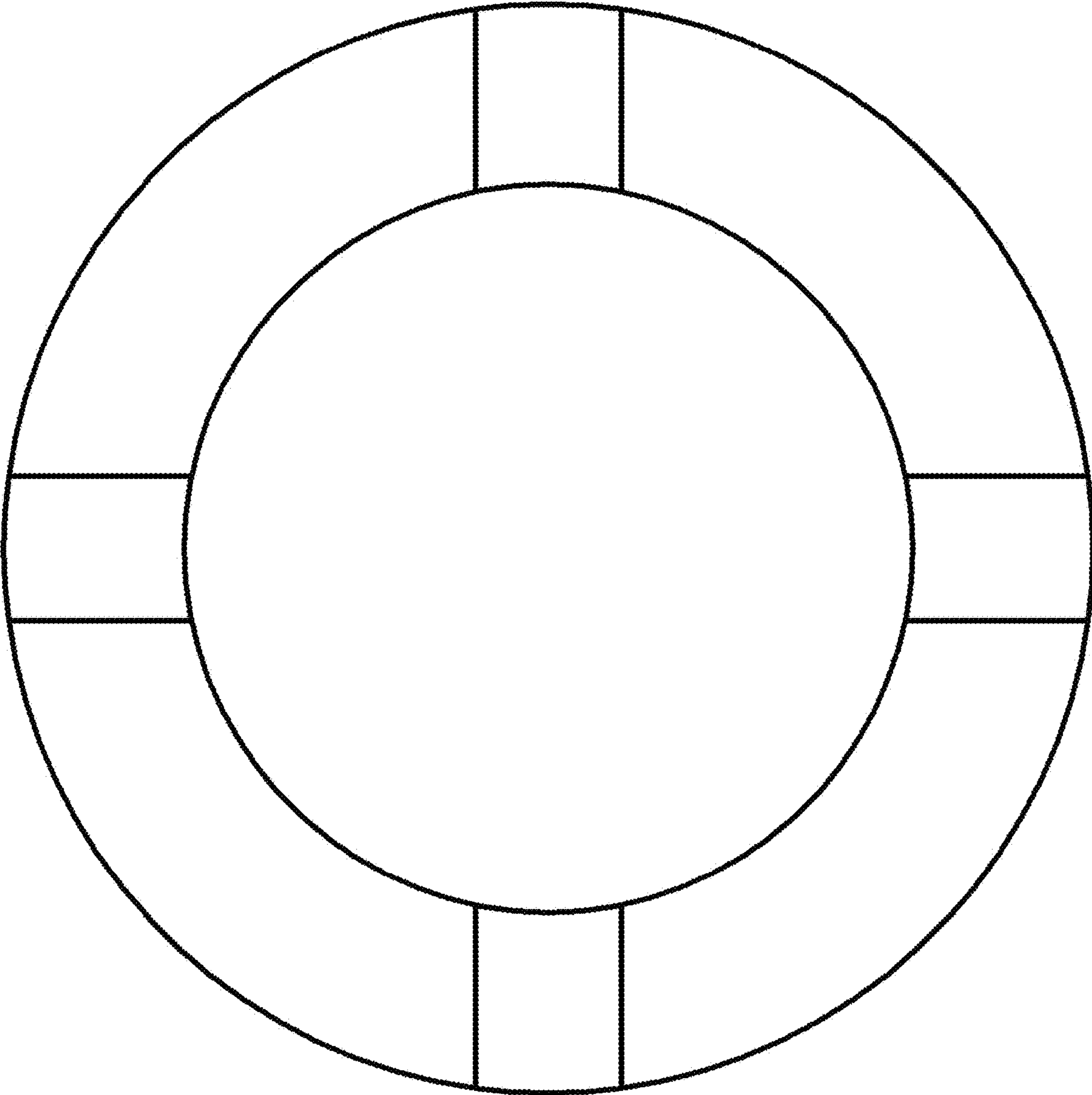


Fig. 6

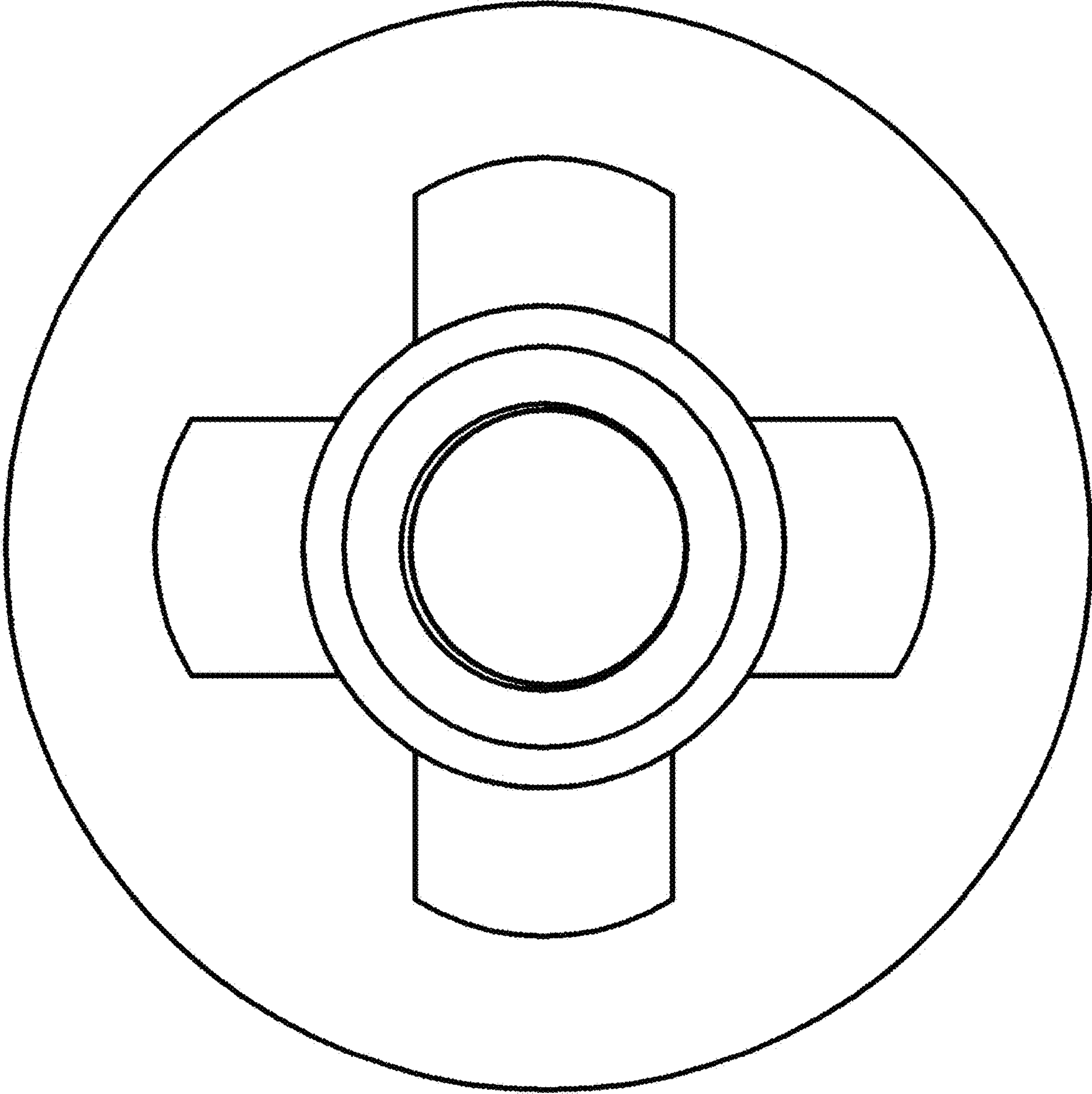


Fig. 7

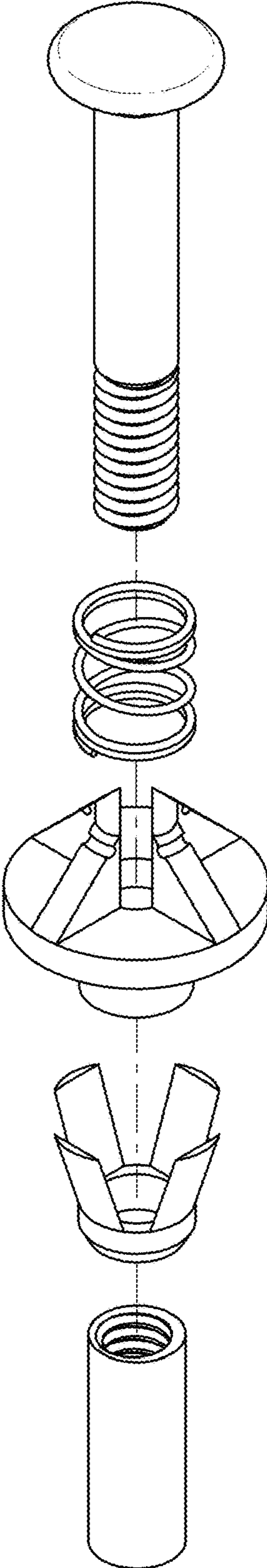


Fig. 8