

US00D840212S

(12) **United States Design Patent**
Huang et al.

(10) **Patent No.:** **US D840,212 S**

(45) **Date of Patent:** **** Feb. 12, 2019**

(54) **LOCK**

(71) Applicant: **MAYAPPLE BABY LLC**, Brooklyn, NY (US)

(72) Inventors: **Jianying Huang**, Brooklyn, NY (US);
Chris Hazzard, Brooklyn, NY (US);
Mingbo Zhang, Brooklyn, NY (US)

(73) Assignee: **Mayapple Baby LLC**, Brooklyn, NY (US)

(**) Term: **15 Years**

(21) Appl. No.: **29/607,803**

(22) Filed: **Jun. 16, 2017**

(51) **LOC (11) Cl.** **08-07**

(52) **U.S. Cl.**
USPC **D8/331**

(58) **Field of Classification Search**

USPC D8/330, 331–336, 338, 343, 344, 347;
70/57, 57.1, 14, 20–22, 91, 92, 102, 141,
70/237, 272.2, 278.1, 278.7, 279.1, 416,
70/465, 442, 443, 214, 447, 367;
340/542, 547, 545.1, 545.7; 292/336.3,
292/301–304, 358, 359
CPC . E05B 9/00; E05B 9/08; E05B 13/103; E05B
27/00; E05B 35/00; E05B 37/00; E05B
41/00; E05B 49/00; E05B 51/00; E05B
55/00; E05B 65/00; E05B 65/007; E05B
15/0093; E05B 9/10

See application file for complete search history.

(56) **References Cited**

U.S. PATENT DOCUMENTS

4,758,015 A * 7/1988 Pixley B60D 1/04
280/504
D311,856 S * 11/1990 Tousaw D8/331
D324,636 S * 3/1992 Schlack D8/306

D441,272 S * 5/2001 Shedd D8/344
D459,192 S * 6/2002 Weierman D8/331
D461,700 S * 8/2002 Meredith D8/344
D506,121 S * 6/2005 Falconer D12/162
D541,632 S * 5/2007 Moore D8/344
D546,166 S * 7/2007 Liang D8/344
D549,551 S * 8/2007 Weierman D8/331
D620,341 S * 7/2010 Rechberg D8/331
D704,526 S * 5/2014 Weierman D8/331
D795,675 S * 8/2017 Howse D8/343

(Continued)

FOREIGN PATENT DOCUMENTS

DE 102007062217 A1 * 6/2009 E05B 3/16

Primary Examiner — R. Johnson

(74) *Attorney, Agent, or Firm* — Winston & Strawn LLP

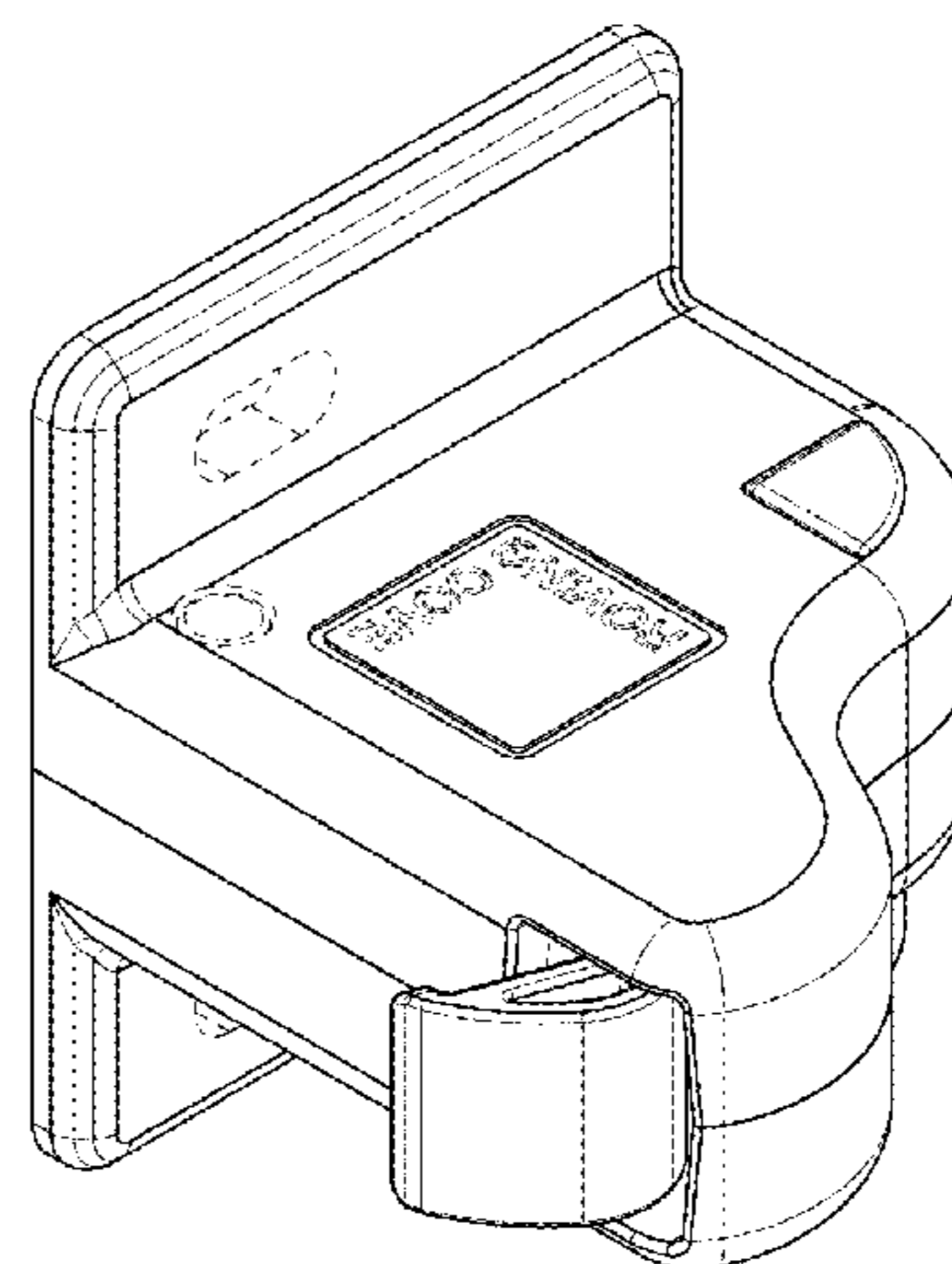
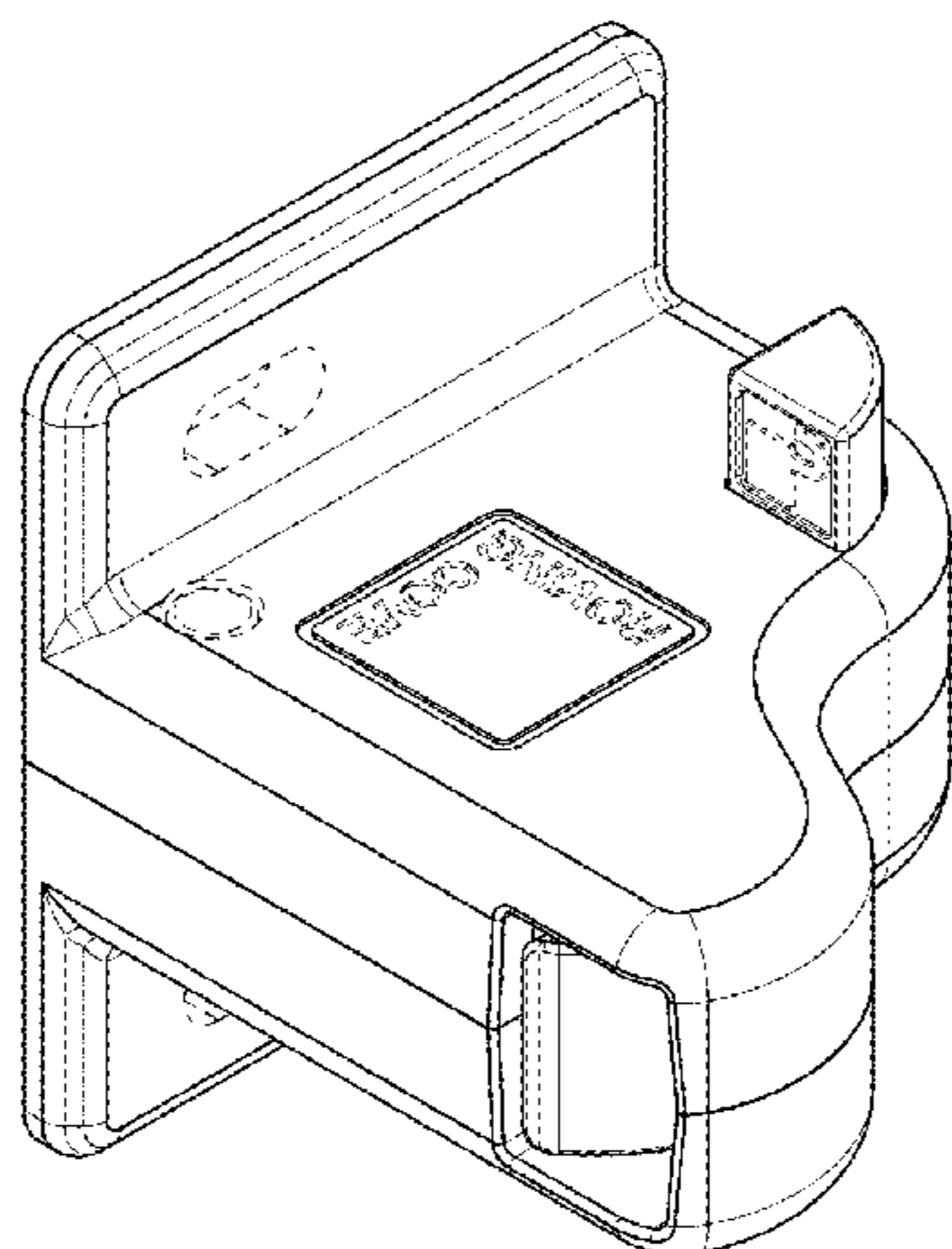
(57) **CLAIM**

The ornamental design for a lock, as shown and described.

DESCRIPTION

FIG. 1 is a perspective view of a first embodiment of a lock according to our new design;
FIG. 2 is a bottom view of the lock of FIG. 1;
FIG. 3 is a top view of lock of FIG. 1;
FIG. 4 is a side view of the lock of FIG. 1;
FIG. 5 is an opposite side view of the lock of FIG. 1;
FIG. 6 is a front view of the lock of FIG. 1;
FIG. 7 is a rear view of the lock of FIG. 1;
FIG. 8 is a perspective view of a second embodiment of a lock according to our new design;
FIG. 9 is a bottom view of the lock of FIG. 8;
FIG. 10 is a top view of lock of FIG. 8;
FIG. 11 is a side view of the lock of FIG. 8;
FIG. 12 is an opposite side view of the lock of FIG. 8;
FIG. 13 is a front view of the lock of FIG. 8; and,
FIG. 14 is a rear view of the lock of FIG. 8.
Any elements shown in broken lines form no part of the claimed design.

1 Claim, 14 Drawing Sheets



(56)

References Cited

U.S. PATENT DOCUMENTS

D805,368 S * 12/2017 Gui D8/336
9,909,035 B1 * 3/2018 Caldeira C09J 7/0207

* cited by examiner

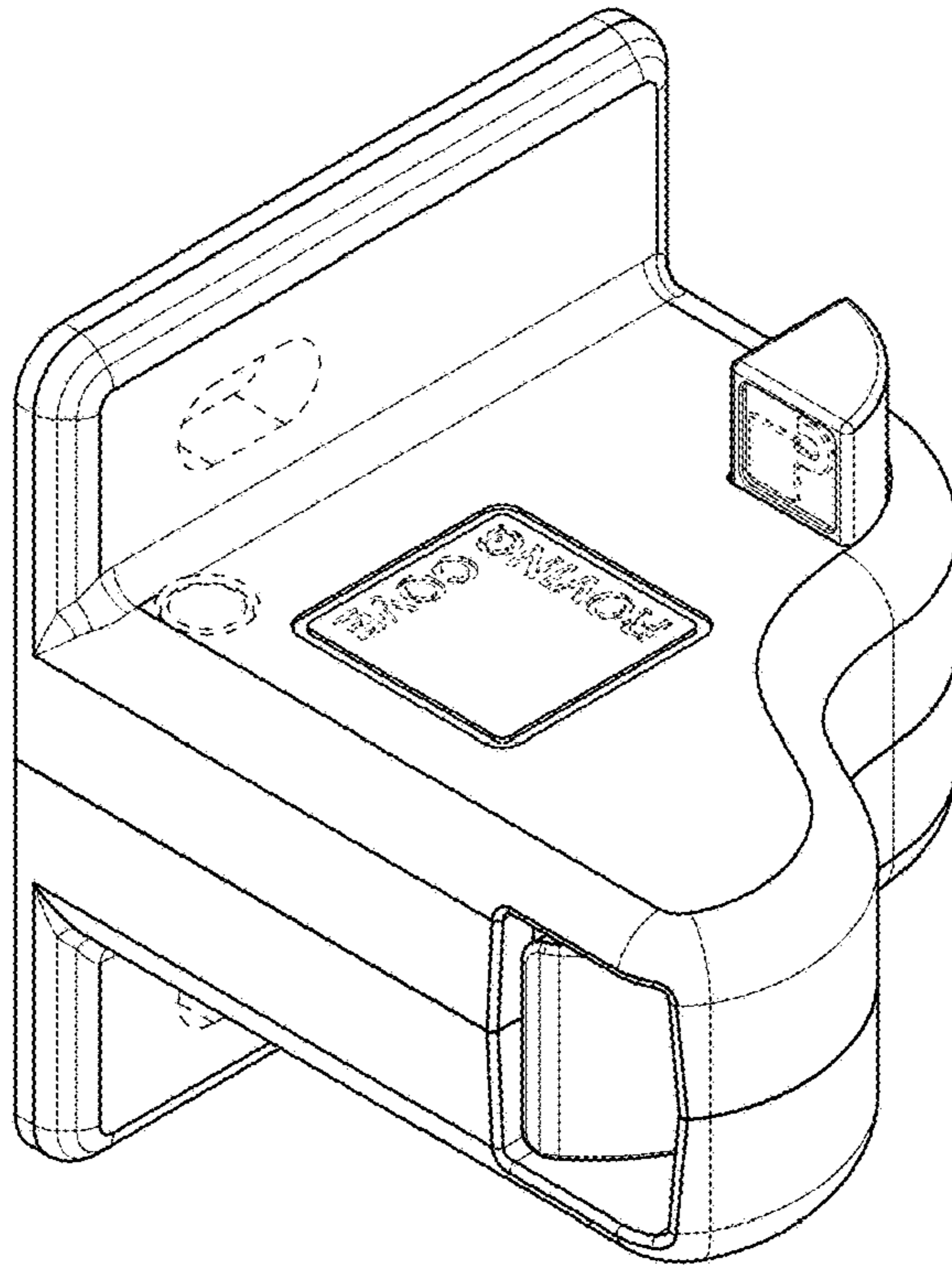


FIG. 1

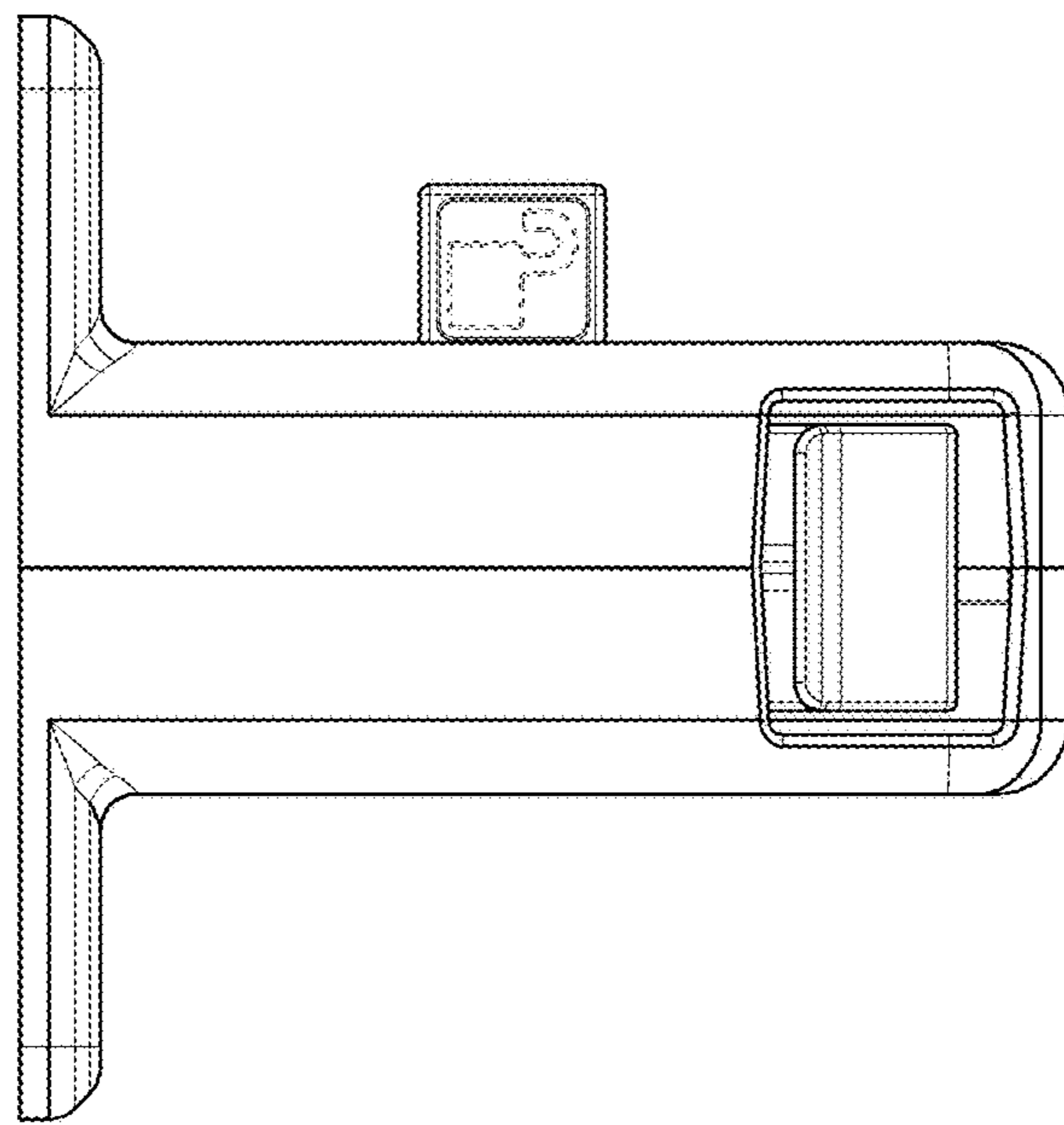


FIG. 2

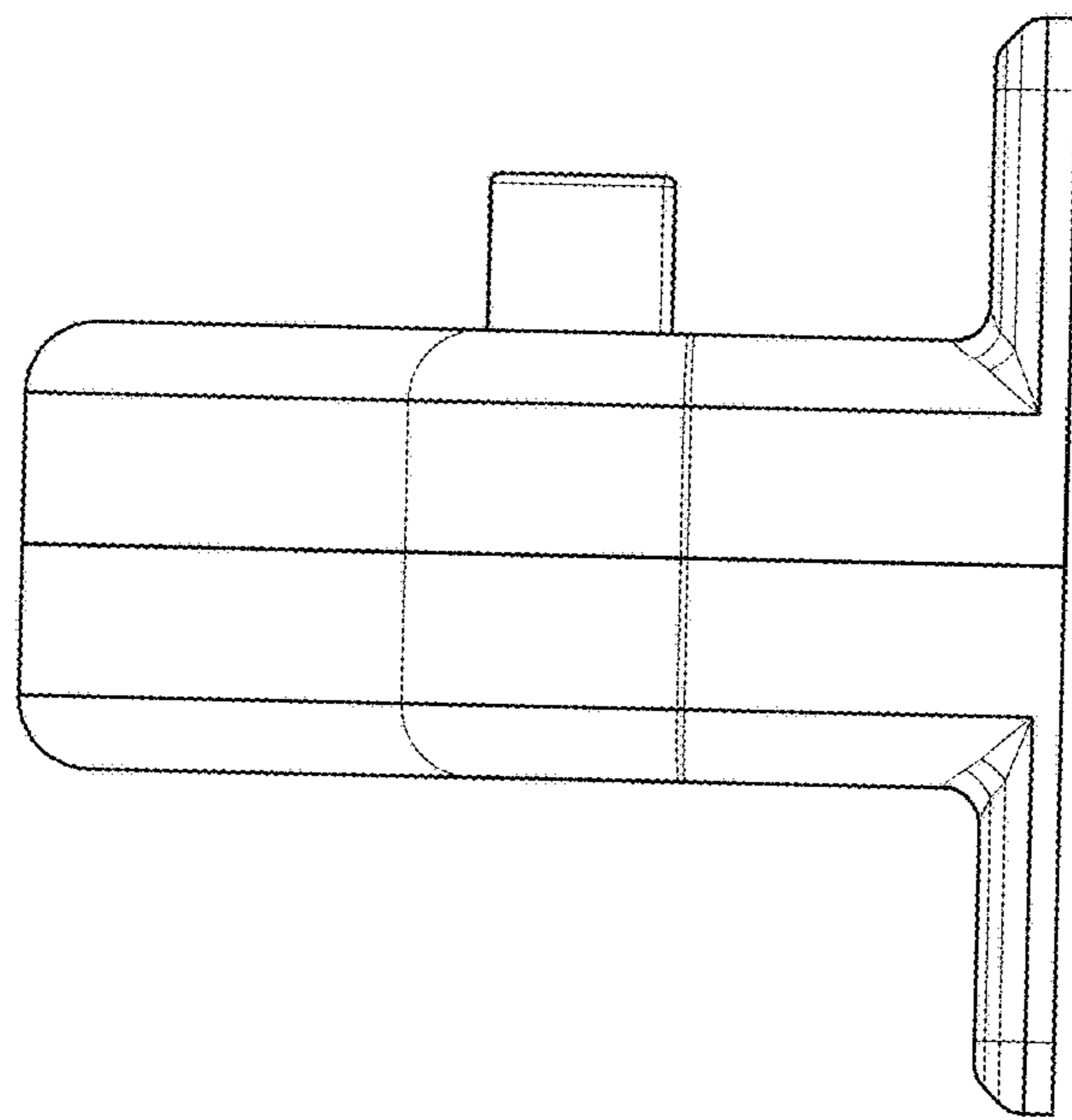


FIG. 3

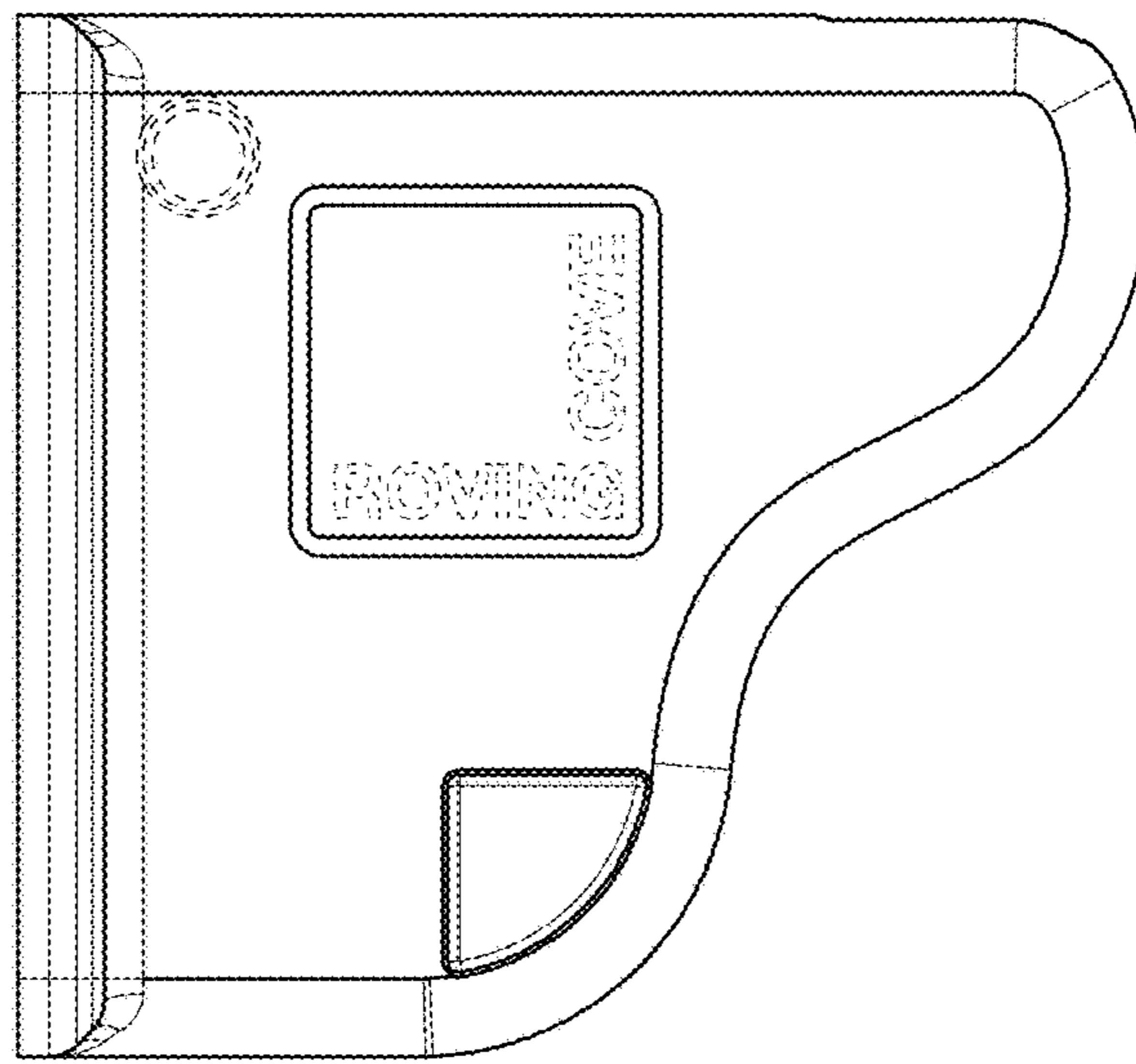


FIG. 4

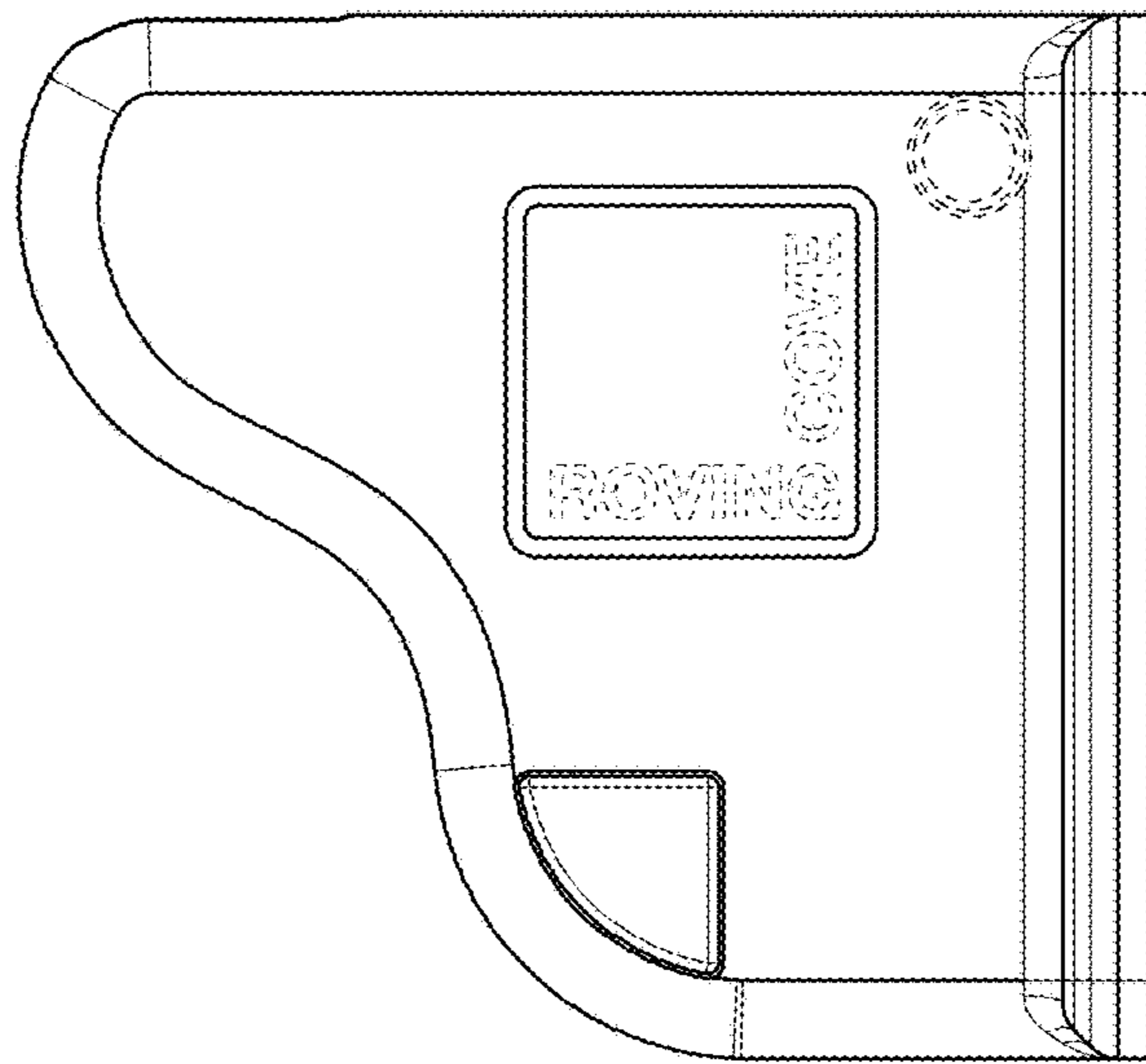


FIG. 5

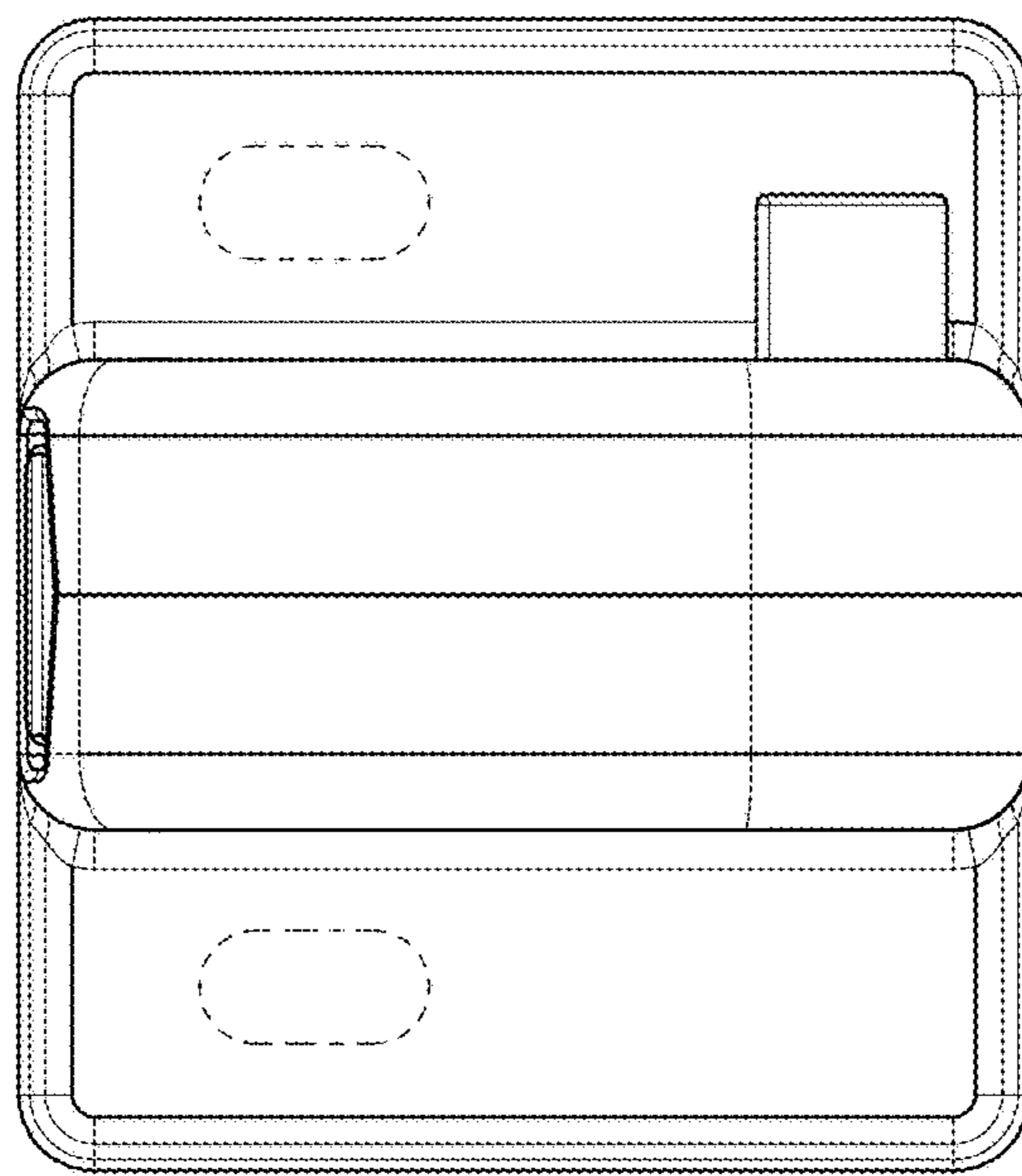


FIG. 6

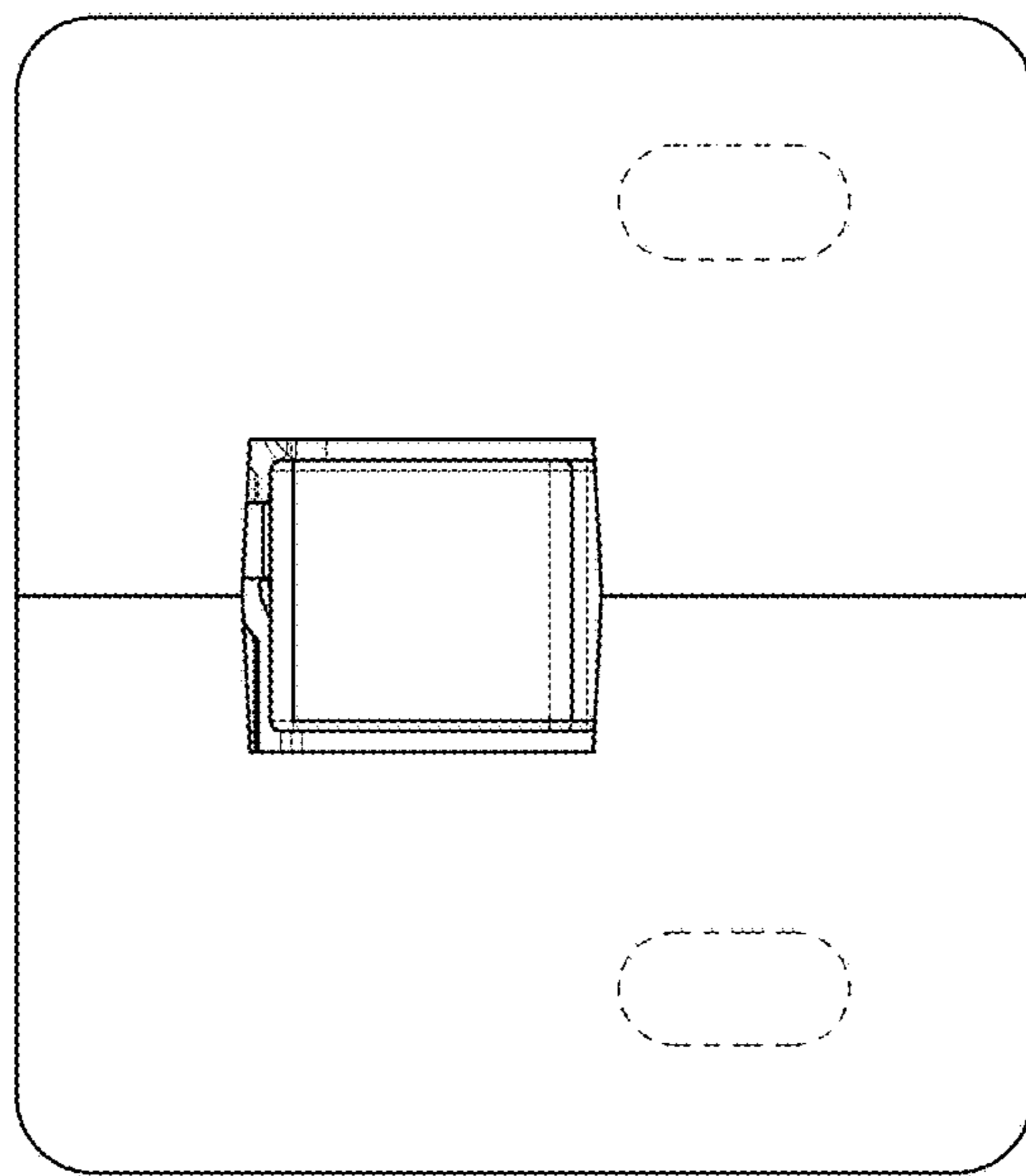


FIG. 7

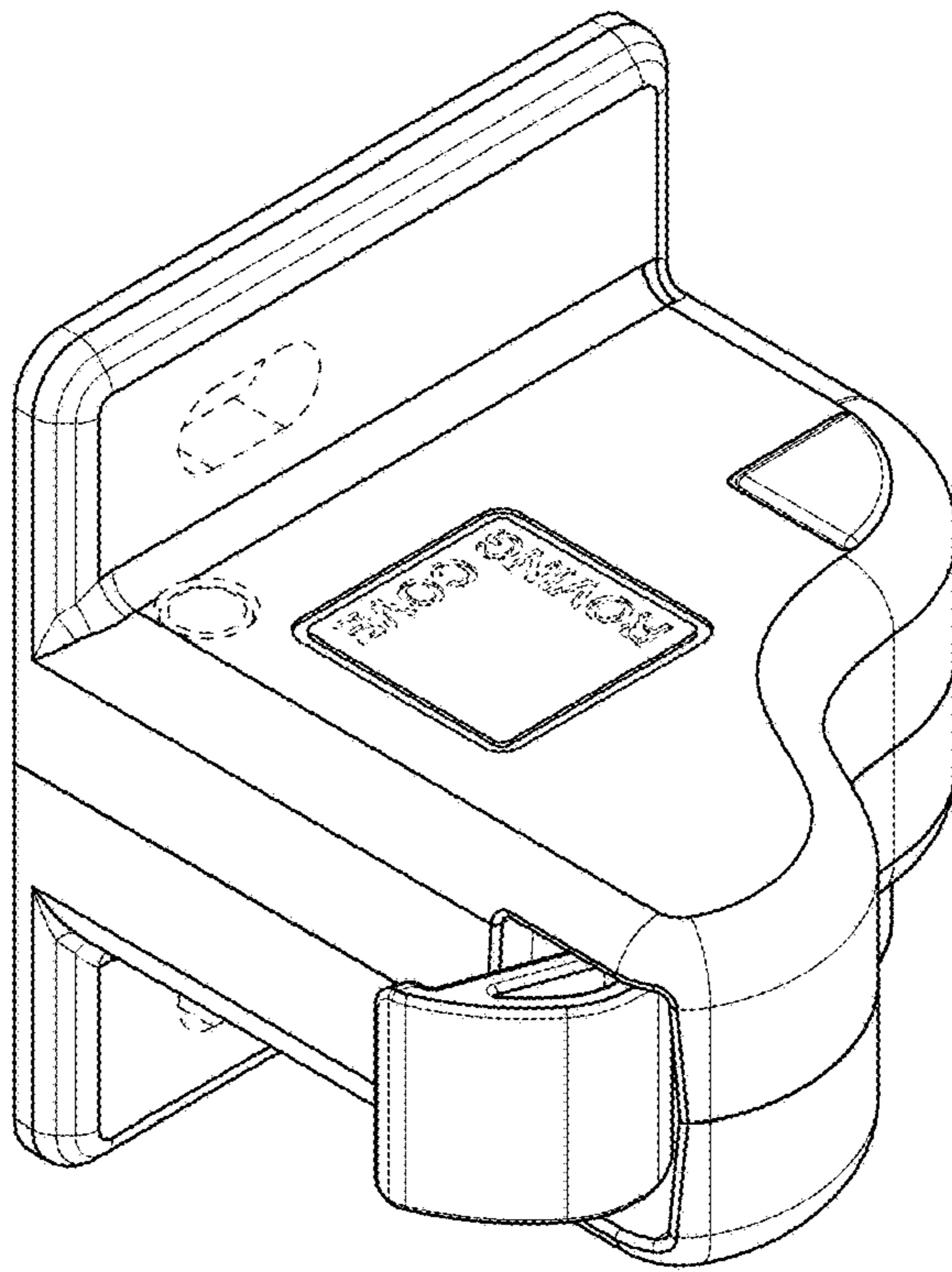


FIG. 8

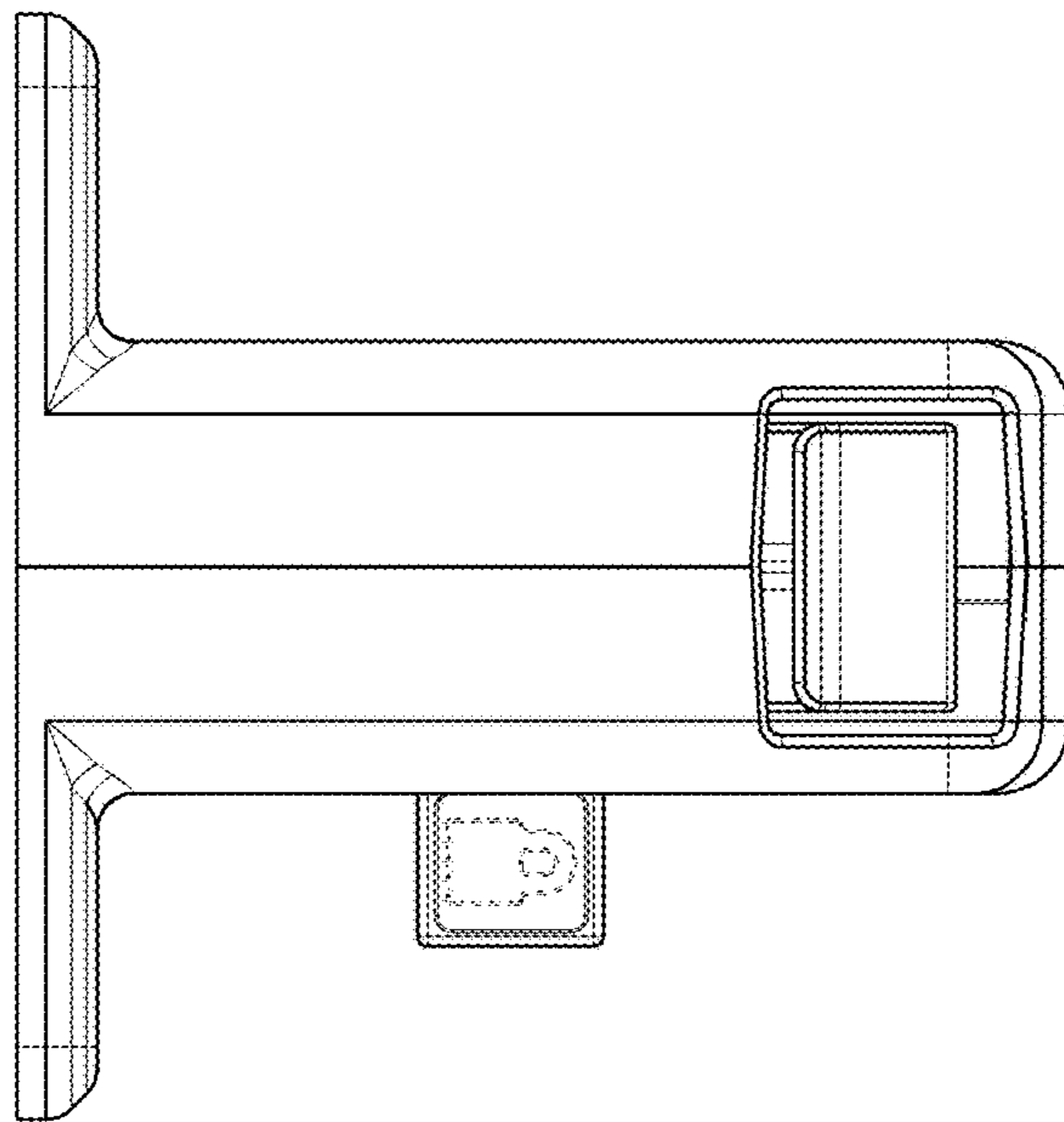


FIG. 9

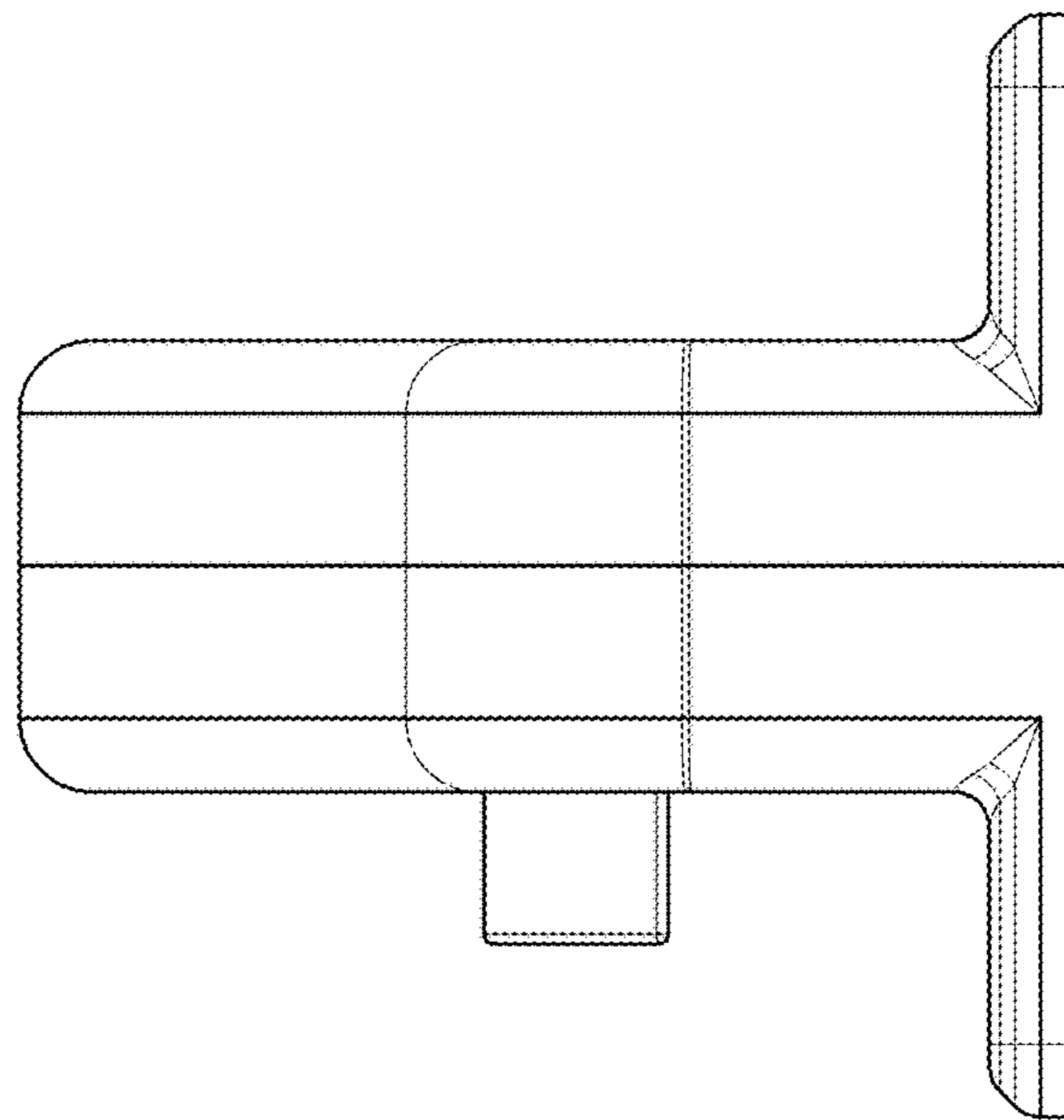


FIG. 10

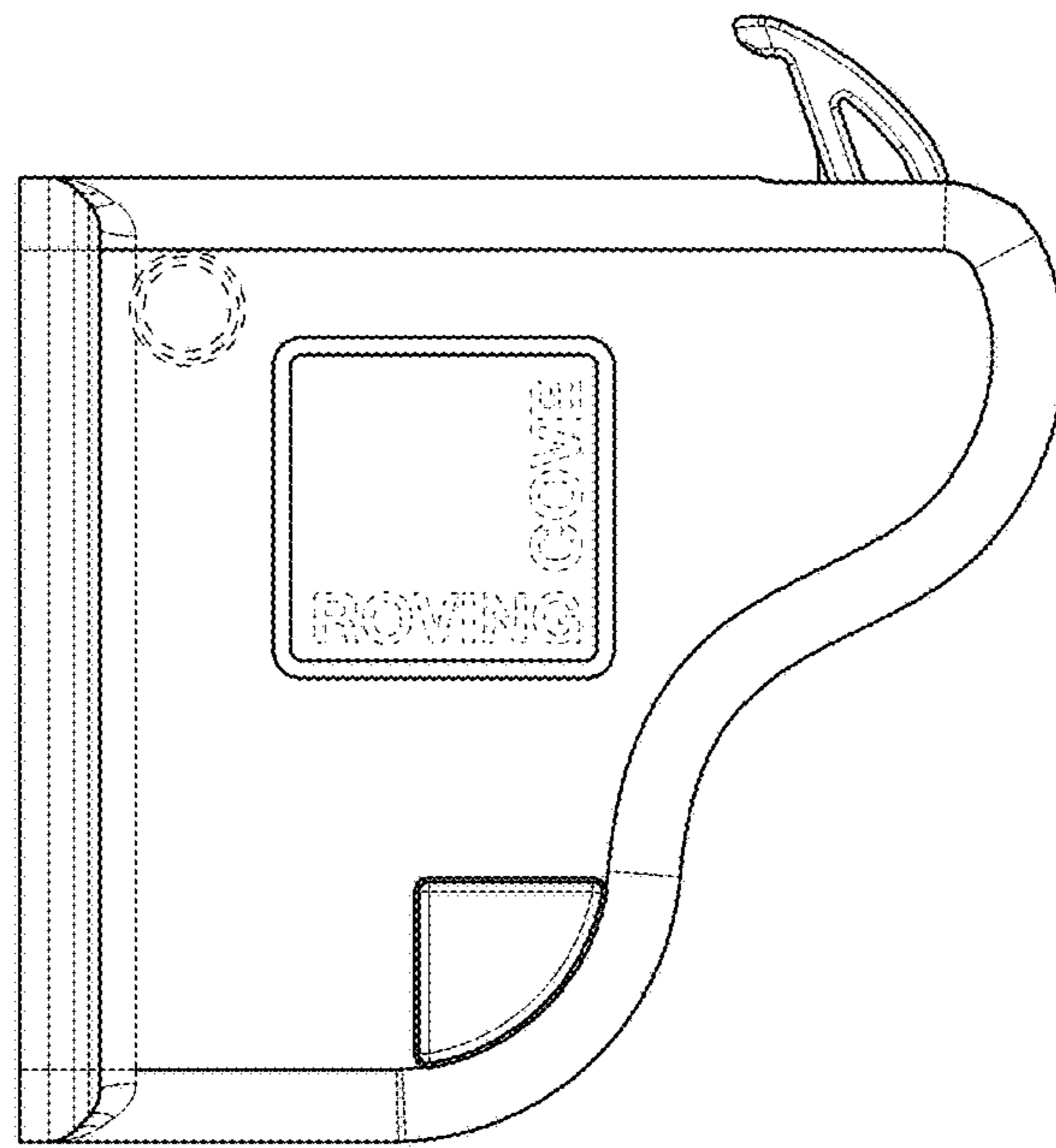


FIG. 11

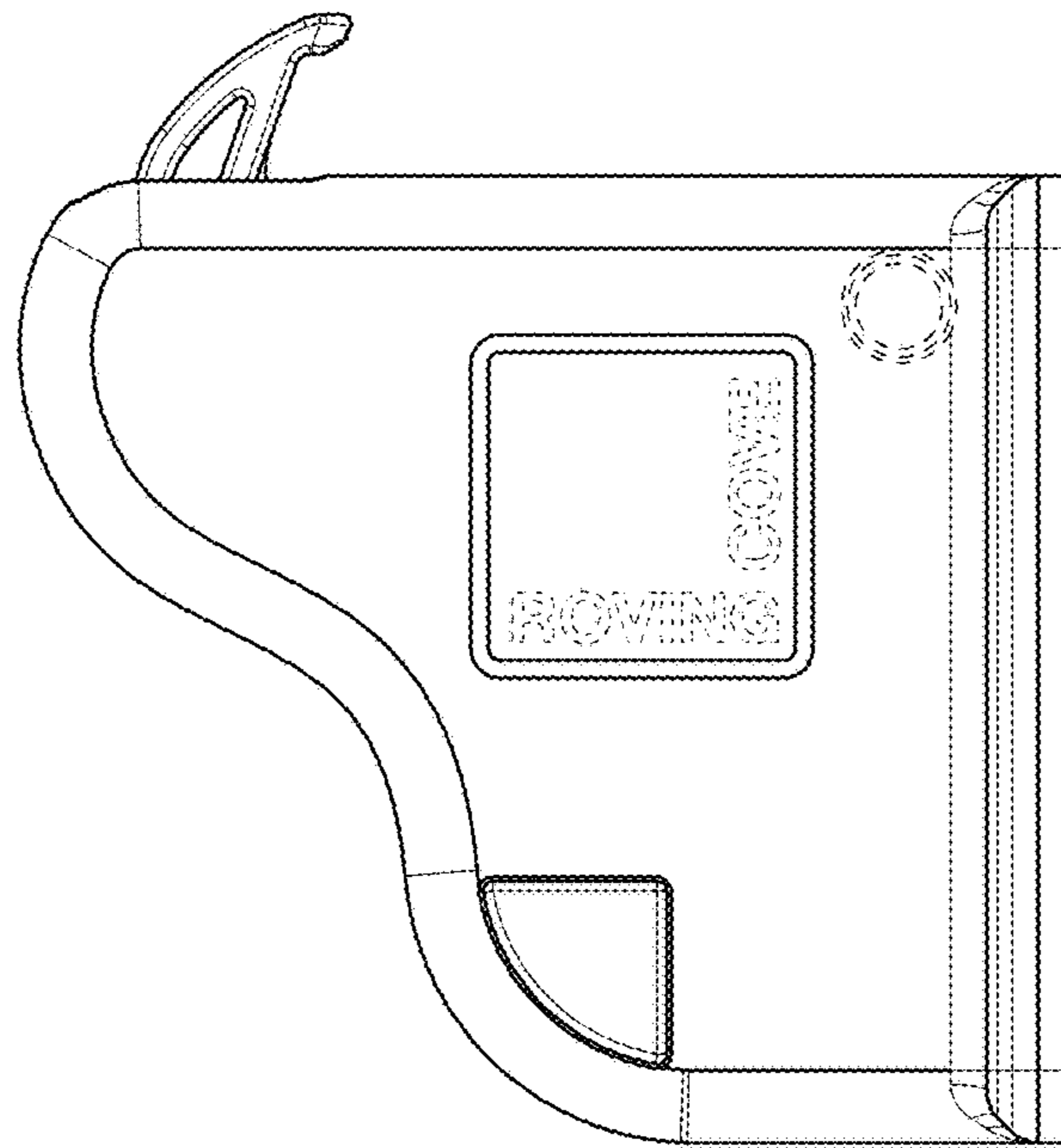


FIG. 12

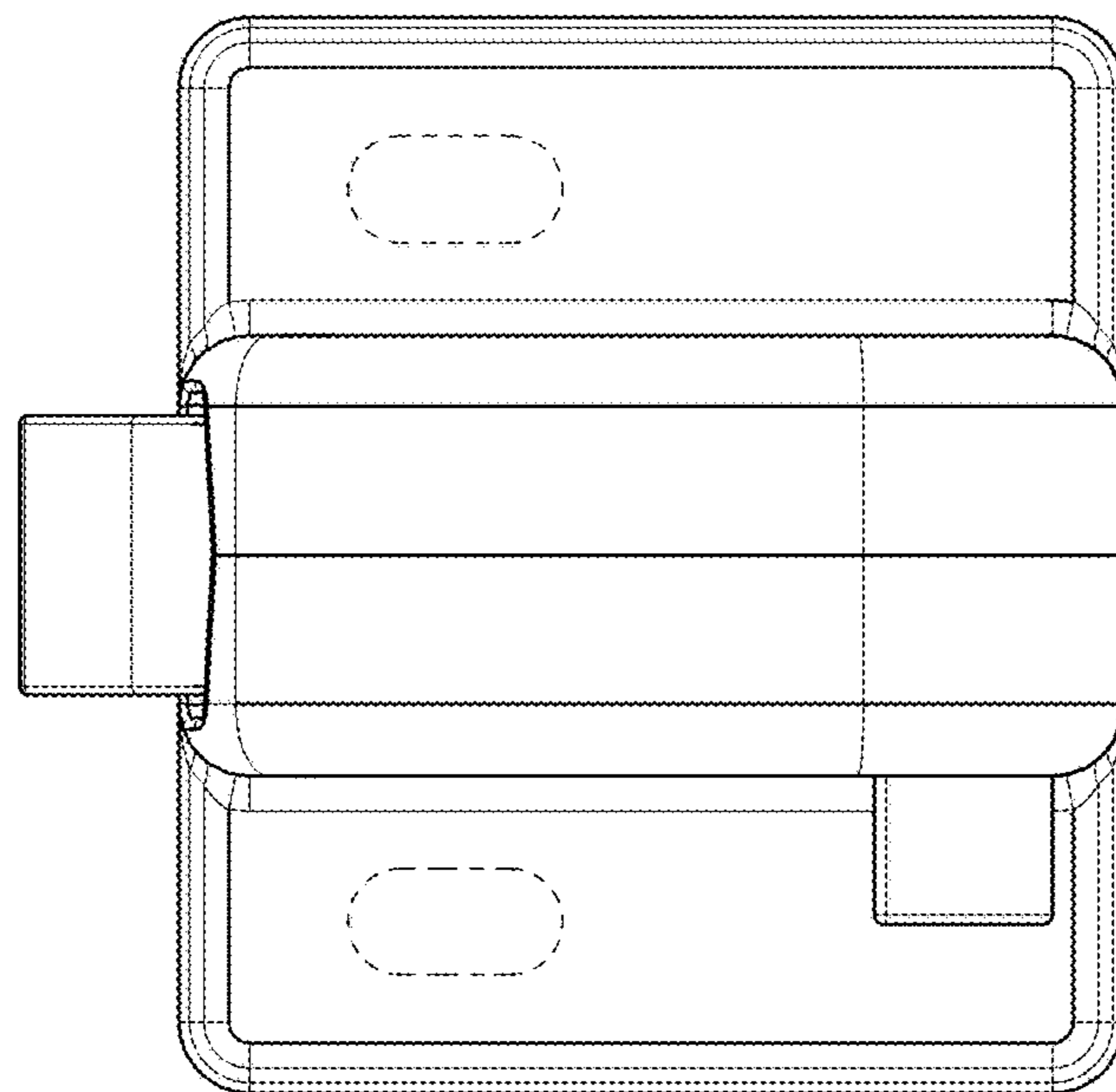


FIG. 13

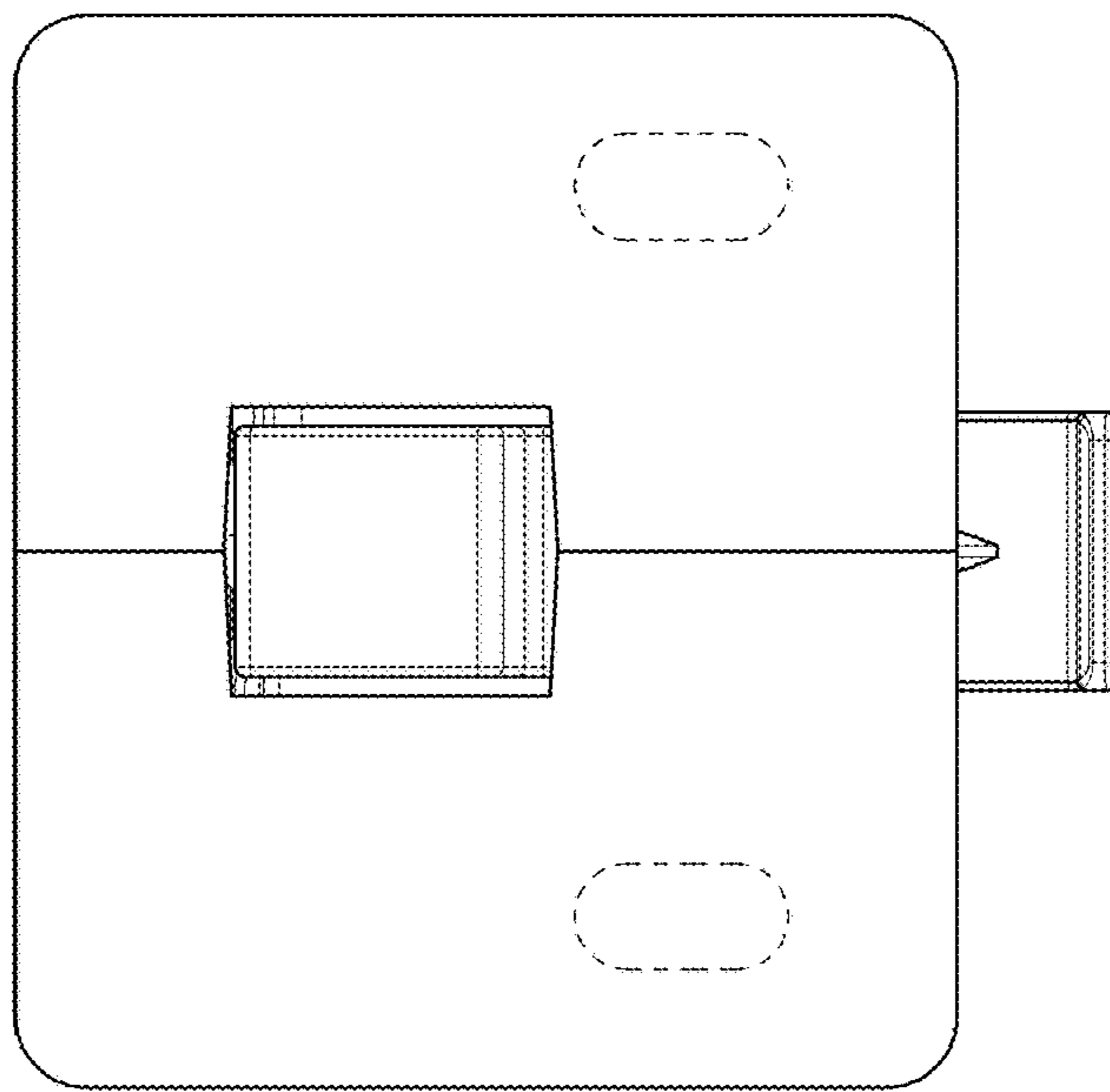


FIG. 14