



US00D840211S

(12) **United States Design Patent**
Skopnik et al.

(10) **Patent No.:** **US D840,211 S**

(45) **Date of Patent:** **** Feb. 12, 2019**

- (54) **HINGE** 6,704,966 B1 * 3/2004 Kao E05D 5/0246
16/252
- (71) Applicant: **EMKA Beschlagteile GmbH & Co.** 6,766,561 B1 * 7/2004 Cheng E05D 5/0246
KG, Velbert (DE) 16/235
- (72) Inventors: **Jörg Skopnik, Hattingen (DE); Gerd** D622,128 S * 8/2010 Laurenza D11/87
Rieboldt, Gevelsberg (DE) D623,923 S * 9/2010 Edwards D23/311
8,572,807 B2 * 11/2013 Walhorn E05D 5/0246
16/235
- (73) Assignee: **EMKA Beschlagteile GmbH & Co.** 9,834,968 B2 * 12/2017 Whitaker E05D 11/06
KG, Velbert (DE)

* cited by examiner

(**) Term: **15 Years**

Primary Examiner — Cynthia R Underwood

(21) Appl. No.: **29/602,828**

(74) *Attorney, Agent, or Firm* — Johnson, Marcou & Isaacs, LLC; Jennifer S. Stachniak

(22) Filed: **May 3, 2017**

(30) **Foreign Application Priority Data**

Nov. 3, 2016 (EM) 003445568

(51) **LOC (11) Cl.** **08-06**

(52) **U.S. Cl.**
USPC **D8/323**

(58) **Field of Classification Search**
USPC D8/323, 327, 328; 16/269, 227, 258
CPC E05D 5/12; E05D 11/082; E05D 1/02;
B64G 1/222
See application file for complete search history.

(56) **References Cited**

U.S. PATENT DOCUMENTS

6,161,255 A * 12/2000 Garrett A47K 3/36
16/284

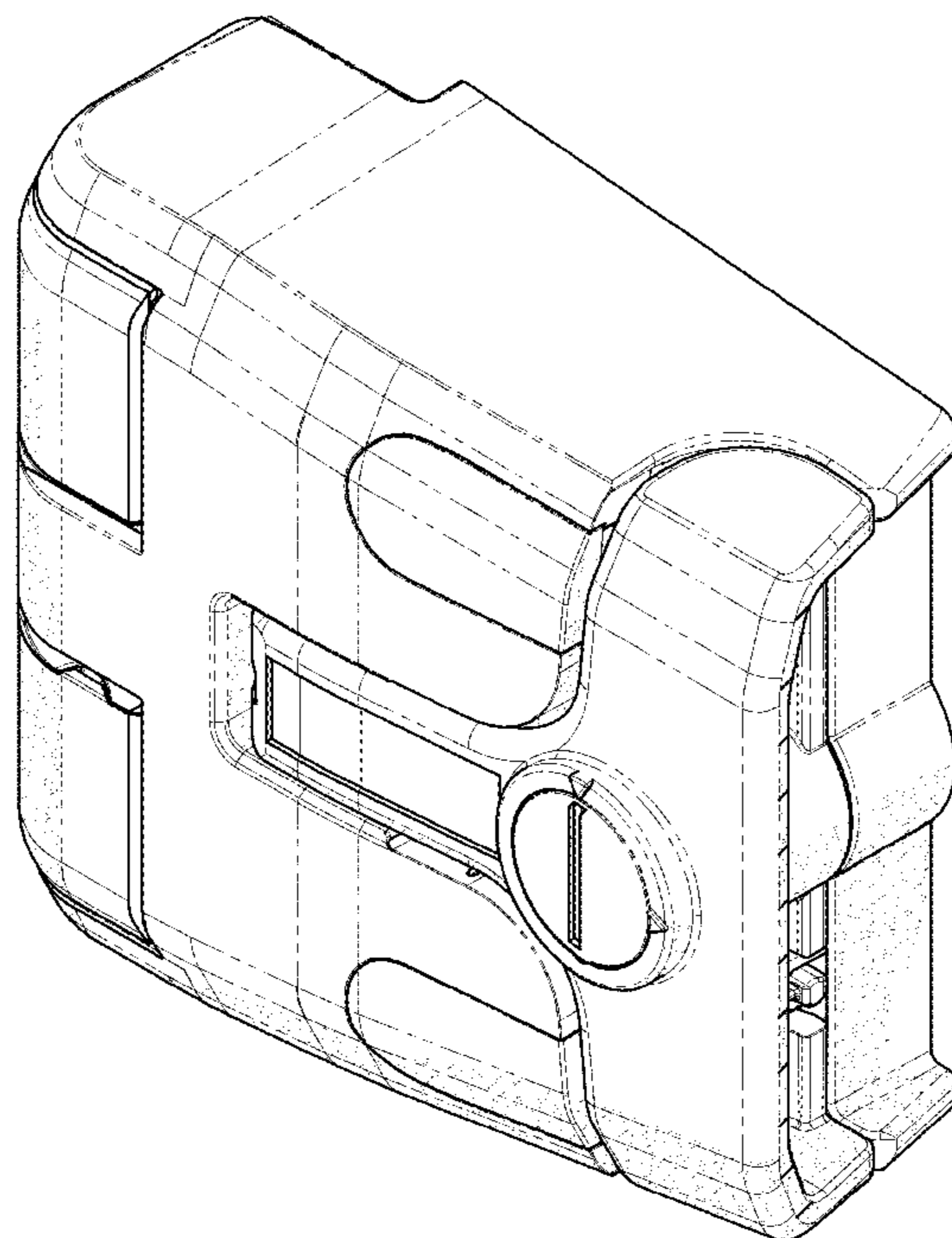
(57) **CLAIM**

The ornamental design for a hinge, as shown and described.

DESCRIPTION

FIG. 1 shows a perspective view of the hinge;
FIG. 2 shows a top view of the hinge;
FIG. 3 shows a rear view of the hinge;
FIG. 4 shows a left side view of the hinge;
FIG. 5 shows a right side view of the hinge; and,
FIG. 6 shows a front view of the hinge.

1 Claim, 6 Drawing Sheets



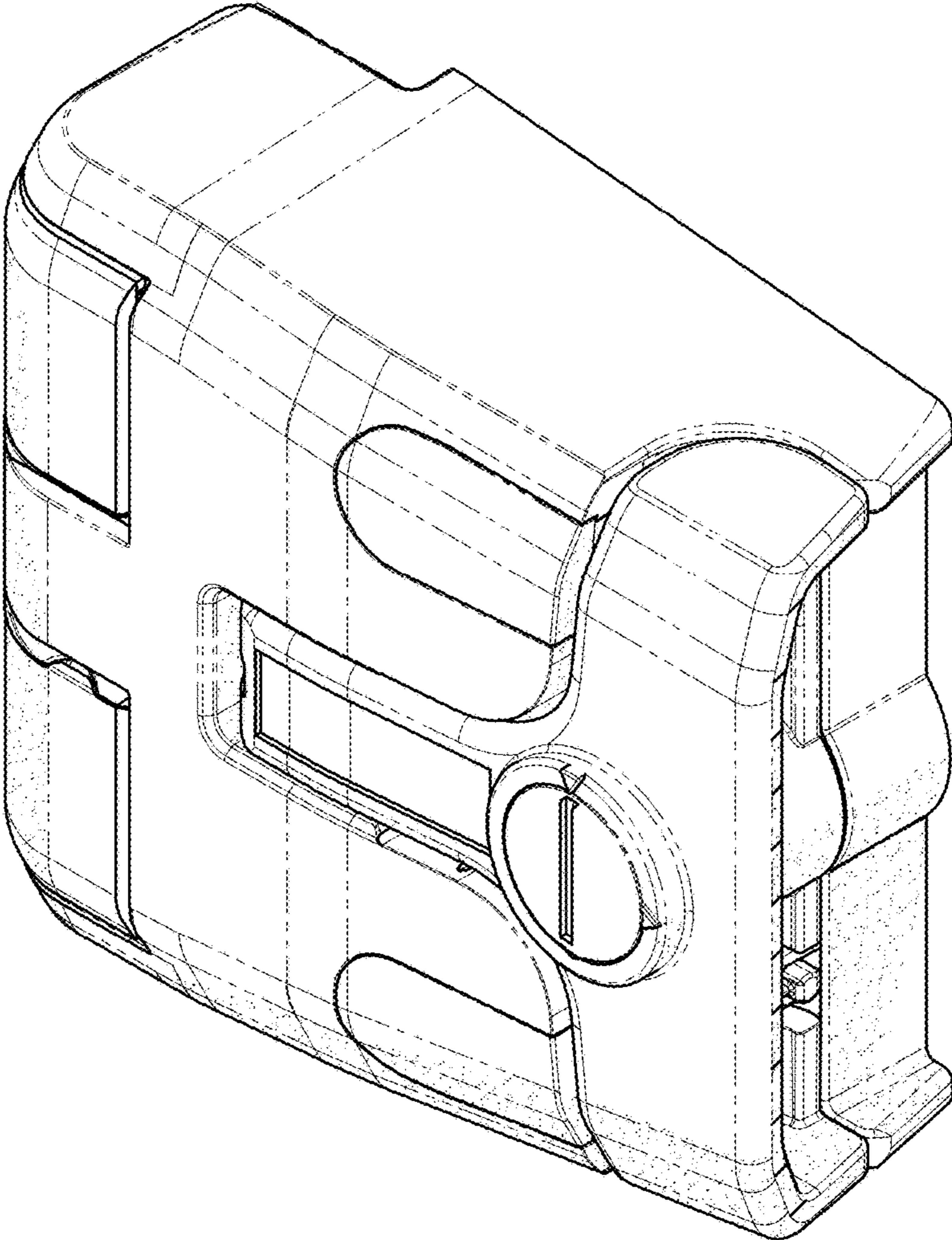


FIG. 1

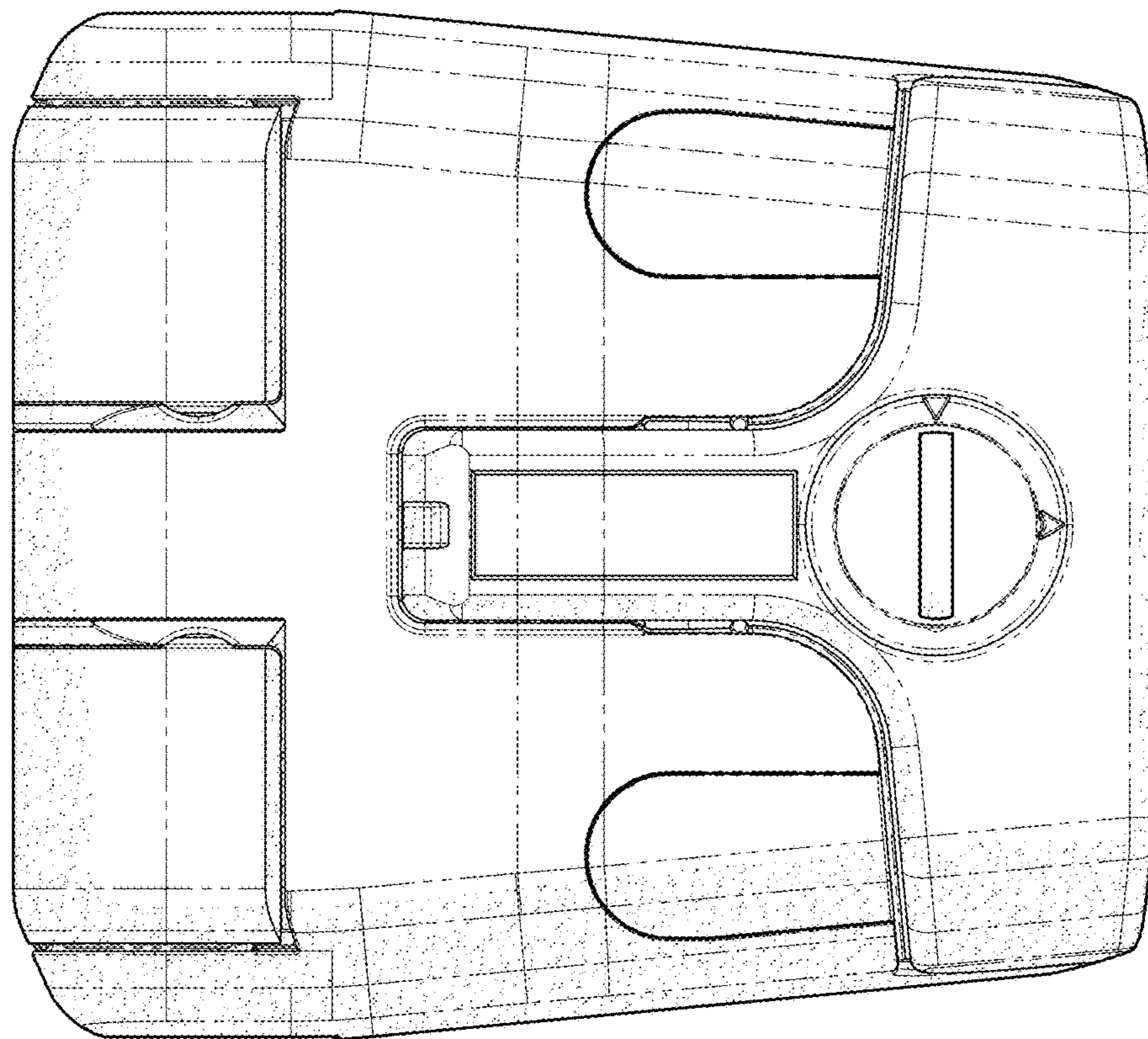


FIG. 2

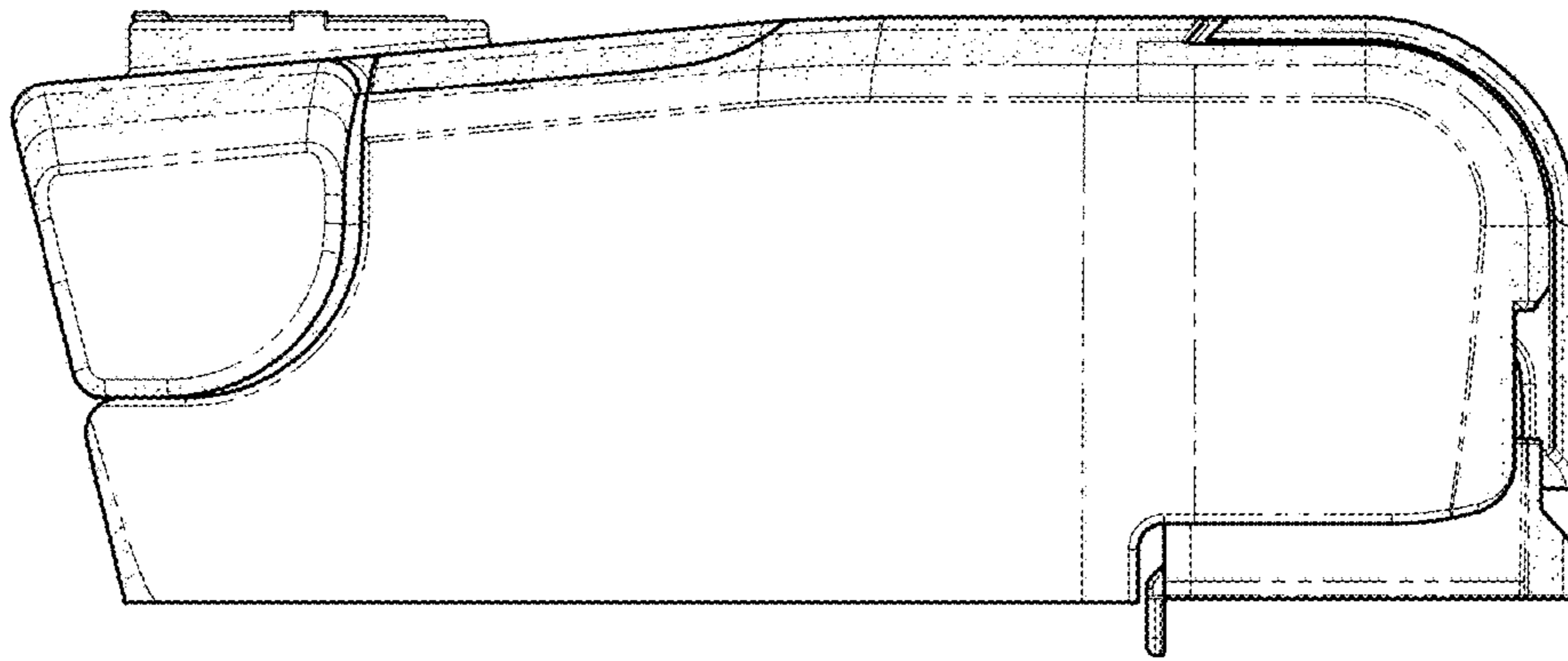


FIG. 3

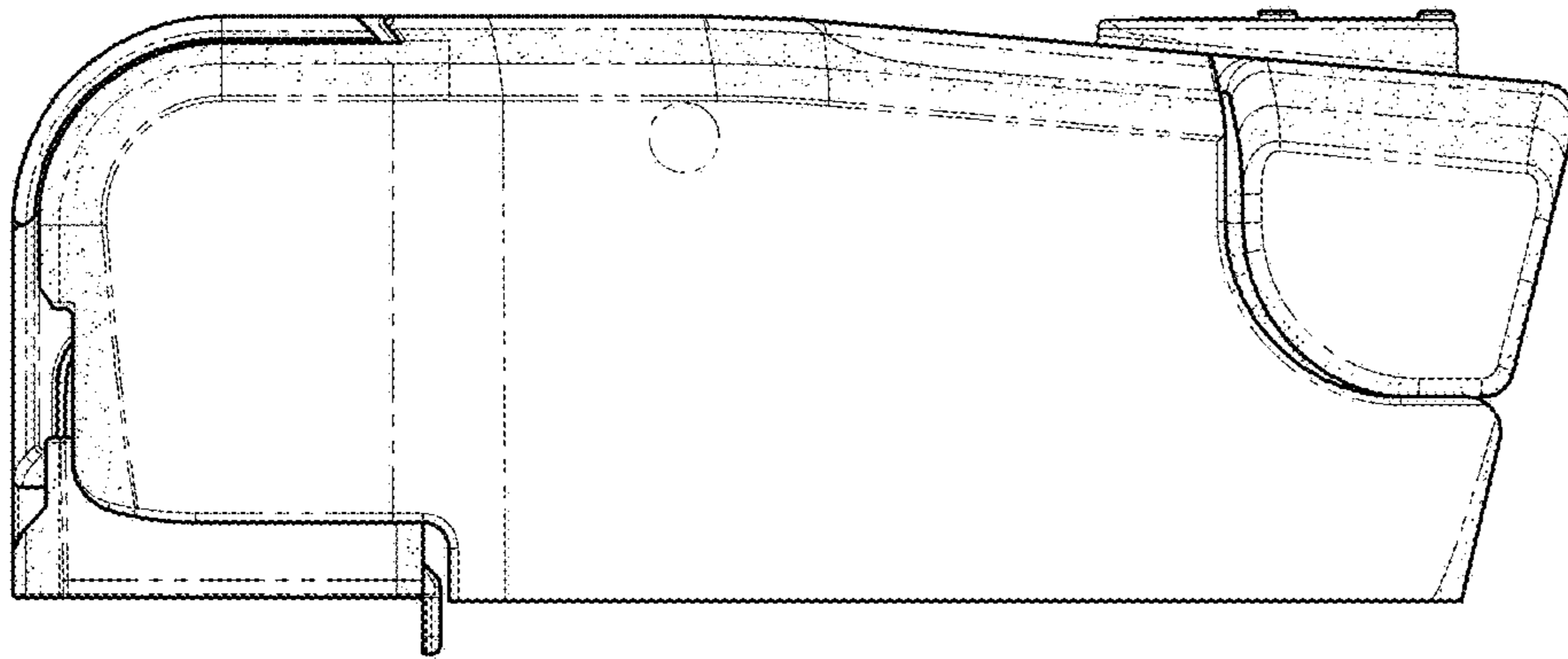


FIG. 4

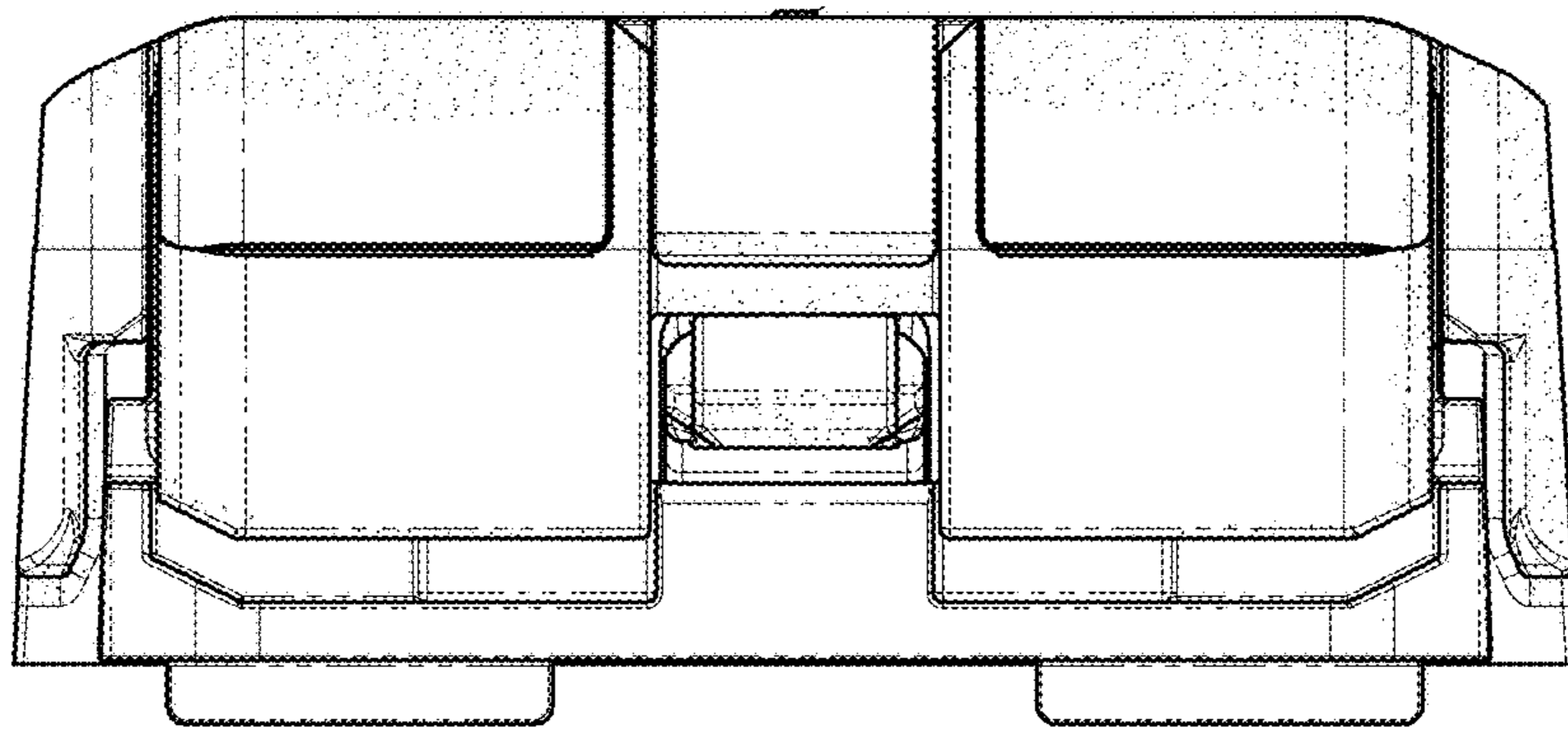


FIG. 5

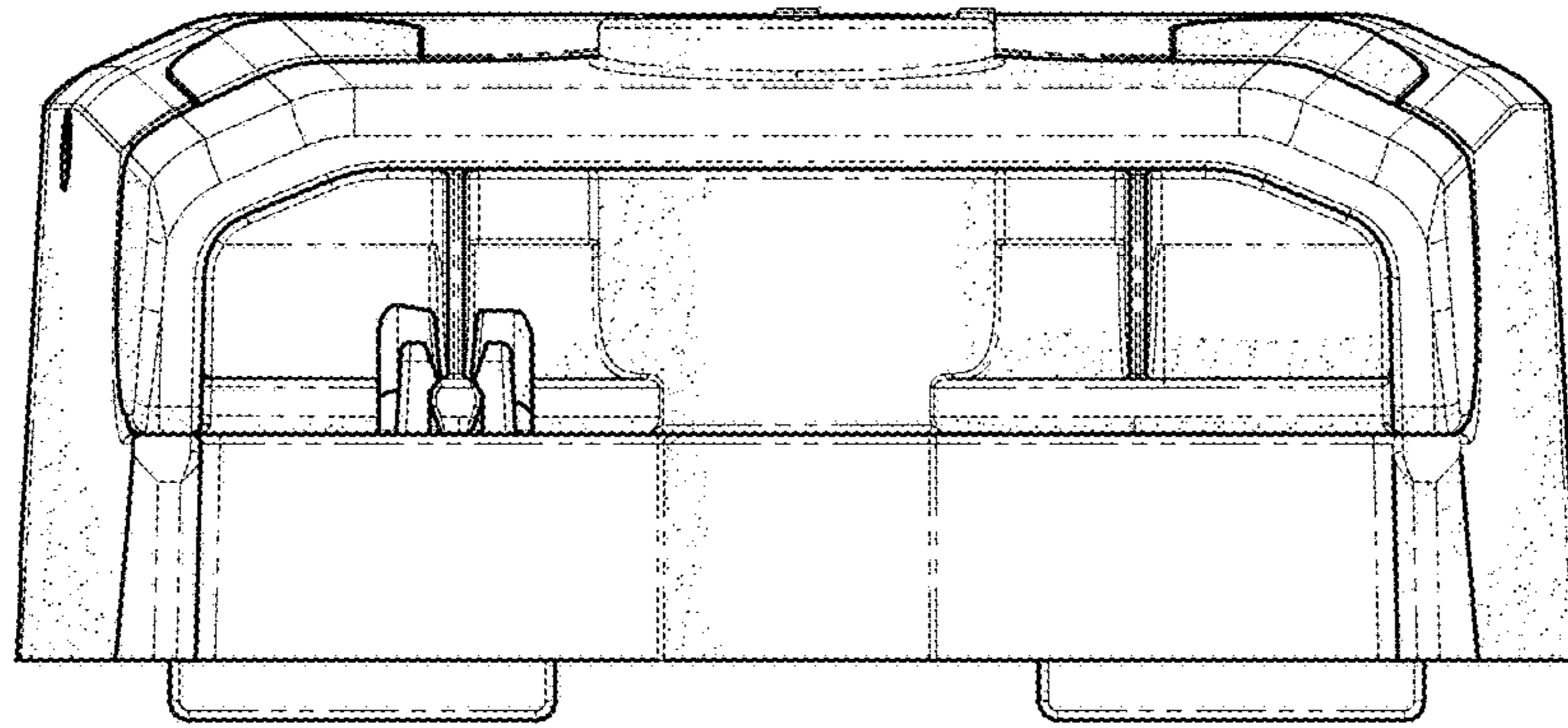


FIG. 6