



US00D840210S

(12) **United States Design Patent**
Kim et al.

(10) **Patent No.:** **US D840,210 S**

(45) **Date of Patent:** **** Feb. 12, 2019**

- (54) **KNOB FOR A GAS RANGE**
- (71) Applicant: **Samsung Electronics Co., Ltd.**,
Suwon-si (KR)
- (72) Inventors: **Jaejun Kim**, Seoul (KR); **Jichang Kang**, Seoul (KR); **Hyunsoo Kim**,
Seongnam-si (KR); **Gisung Han**, Seoul
(KR)
- (73) Assignee: **Samsung Electronics Co., Ltd.**,
Suwon-si (KR)
- (**) Term: **15 Years**
- (21) Appl. No.: **29/619,568**
- (22) Filed: **Sep. 29, 2017**

- D521,314 S * 5/2006 Ball D7/393
- D559,206 S * 1/2008 Neveu D13/174
- D634,156 S * 3/2011 Fuller D7/393
- D634,602 S * 3/2011 Bengtson D8/311
- D637,886 S * 5/2011 Bengtson D8/311
- D762,593 S * 8/2016 Oneufer D13/174
- 9,484,163 B2 * 11/2016 Oneufer H01H 9/223
- D773,917 S * 12/2016 Shoemaker D8/311
- D775,493 S * 1/2017 Funnell, II D7/406
- D779,303 S * 2/2017 Shoemaker D8/311
- D786,651 S * 5/2017 Shoemaker D8/311
- D791,567 S * 7/2017 Incukur D8/311
- D792,189 S * 7/2017 Incukur D8/311
- D793,199 S * 8/2017 Nilssen D8/311
- D805,842 S * 12/2017 Funnell, II D7/406
- D808,767 S * 1/2018 Kim D8/311
- 9,976,749 B2 * 5/2018 Yang F24C 3/12
- 2004/0070574 A1 * 4/2004 Wylie F24C 7/082
345/184

(Continued)

(30) **Foreign Application Priority Data**

Jun. 19, 2017 (KR) 30-2017-0028201

(51) **LOC (11) Cl.** **08-06**

(52) **U.S. Cl.**
USPC **D8/311**

(58) **Field of Classification Search**
USPC D8/107, 300, 301, 307, 310, 311, 312;
D10/102; D23/250, 421; D7/393, 394,
D7/396, 543, 545, 547, 548
CPC ... Y10T 292/57; Y10T 292/82; Y10T 16/469;
Y10T 16/44; Y10T 16/476; Y10T
74/2084; Y10T 292/85; Y10T 74/2087;
Y10T 16/4713; Y10T 16/506; Y10T
74/20876; Y10T 74/20612; Y10T
70/5765; Y10T 16/459; Y10T 74/2066;
Y10T 16/487; Y10T 74/20822

See application file for complete search history.

(56) **References Cited**

U.S. PATENT DOCUMENTS

- D203,991 S * 3/1966 Rosen D10/103
- D208,918 S * 10/1967 Dole, Jr. D8/311

Primary Examiner — Lauren R Calve
(74) *Attorney, Agent, or Firm* — NSIP Law

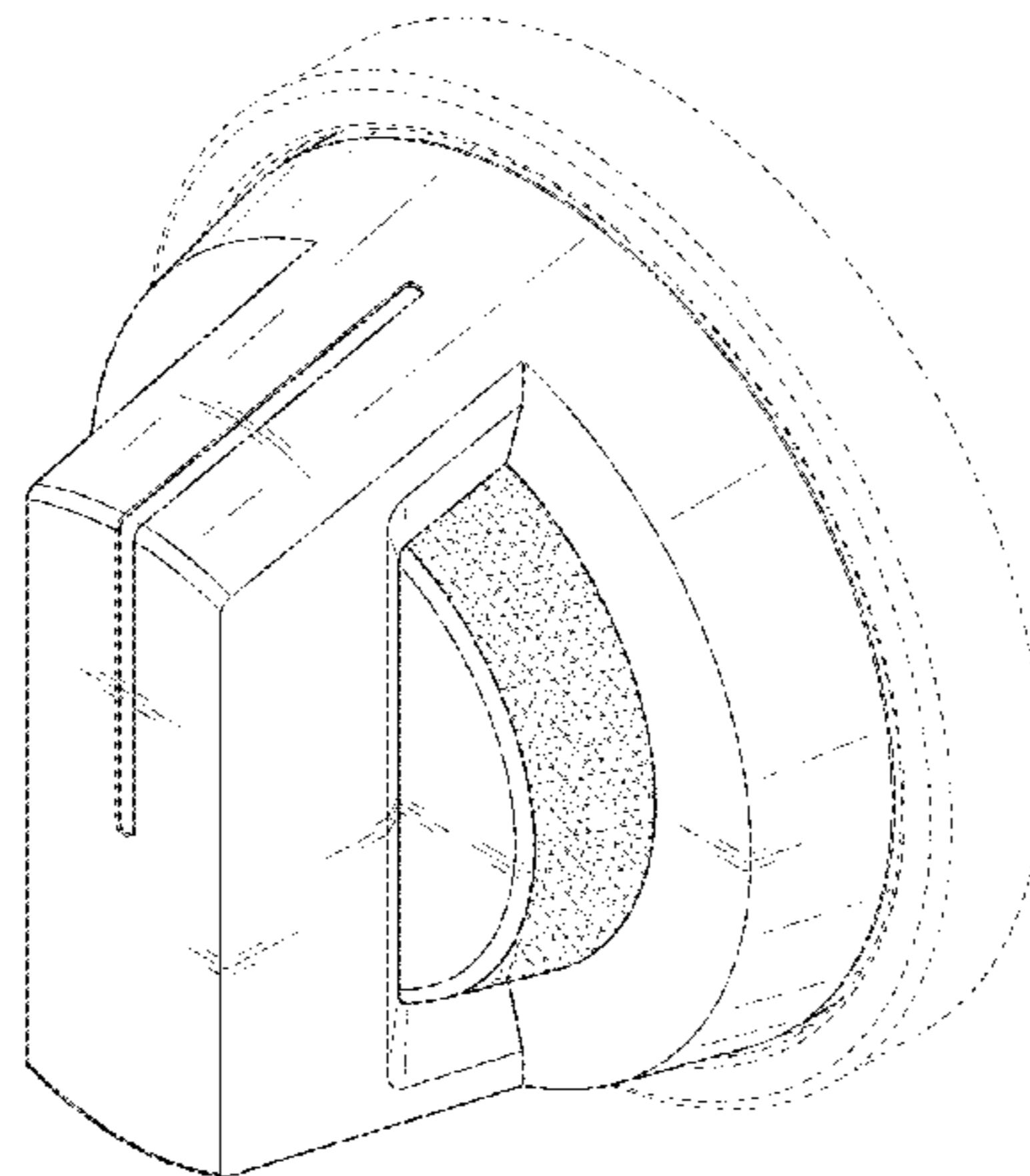
(57) **CLAIM**

We claim the ornamental design for a knob for a gas range, as shown and described.

DESCRIPTION

FIG. 1 is a front perspective view of a knob for a gas range showing our new design;
FIG. 2 is a front elevational view thereof;
FIG. 3 is a rear elevational view thereof;
FIG. 4 is a left-side elevational view thereof;
FIG. 5 is a right-side elevational view thereof;
FIG. 6 is a top plan view thereof; and,
FIG. 7 is a bottom plan view thereof.
The broken lines depict portions of the knob for a gas range that form no part of the claimed design.

1 Claim, 7 Drawing Sheets



(56)

References Cited

U.S. PATENT DOCUMENTS

2004/0107545	A1 *	6/2004	Worrell	G05G 1/10 16/441
2010/0216080	A1 *	8/2010	Home	F24C 3/124 431/13
2014/0260775	A1 *	9/2014	Freeman	G05G 1/08 74/553

* cited by examiner

FIG. 1

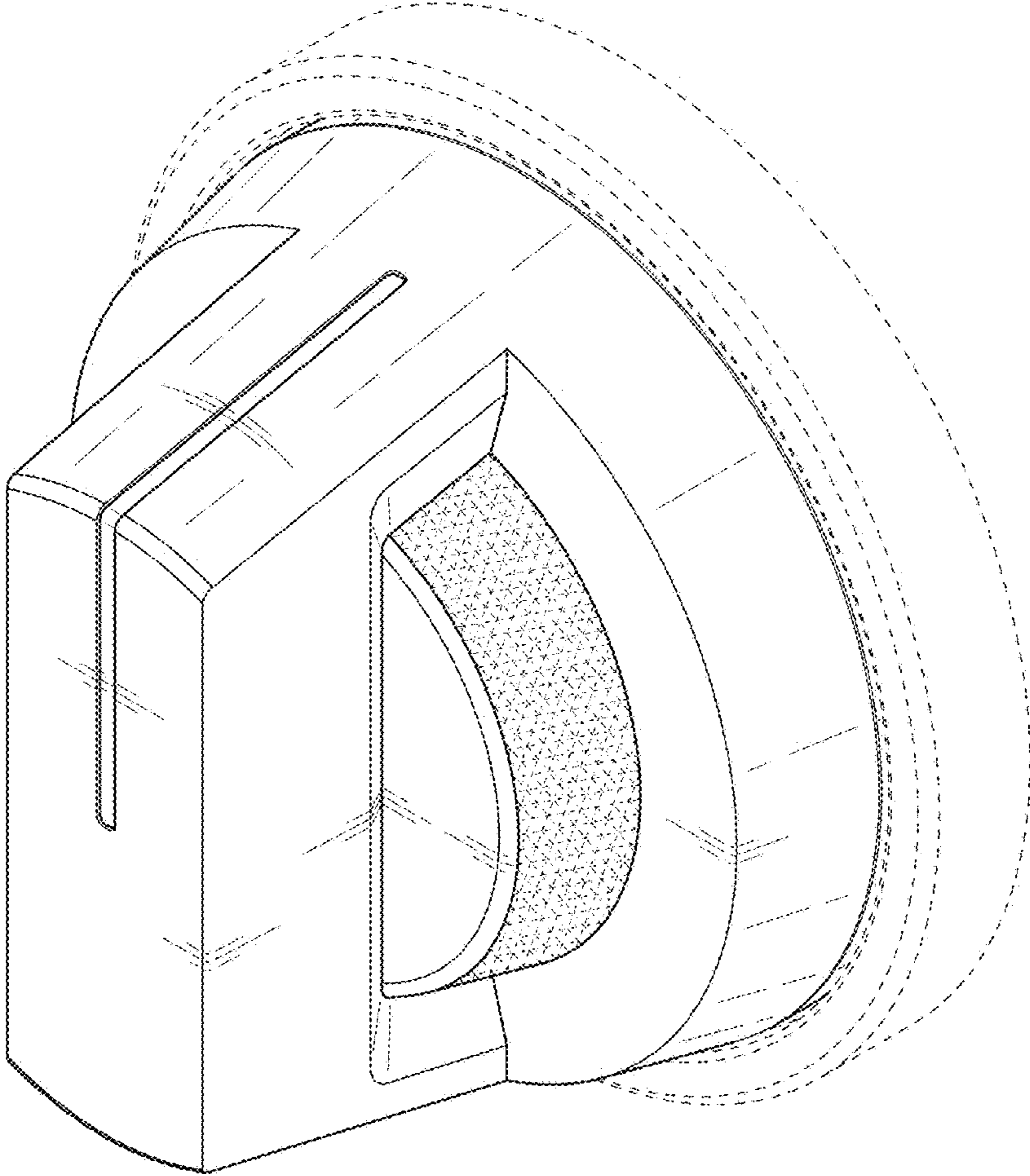


FIG. 2

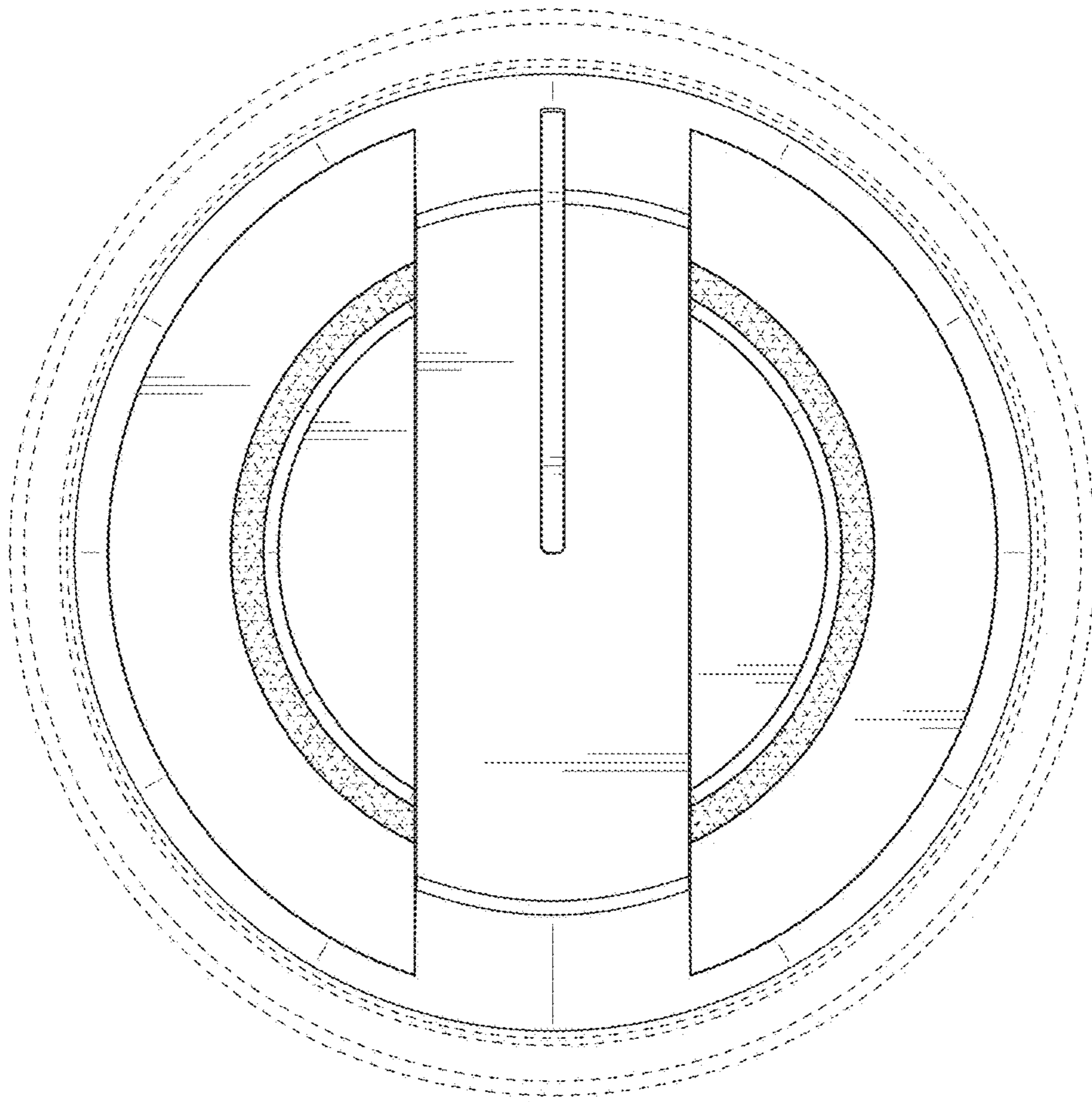


FIG. 3

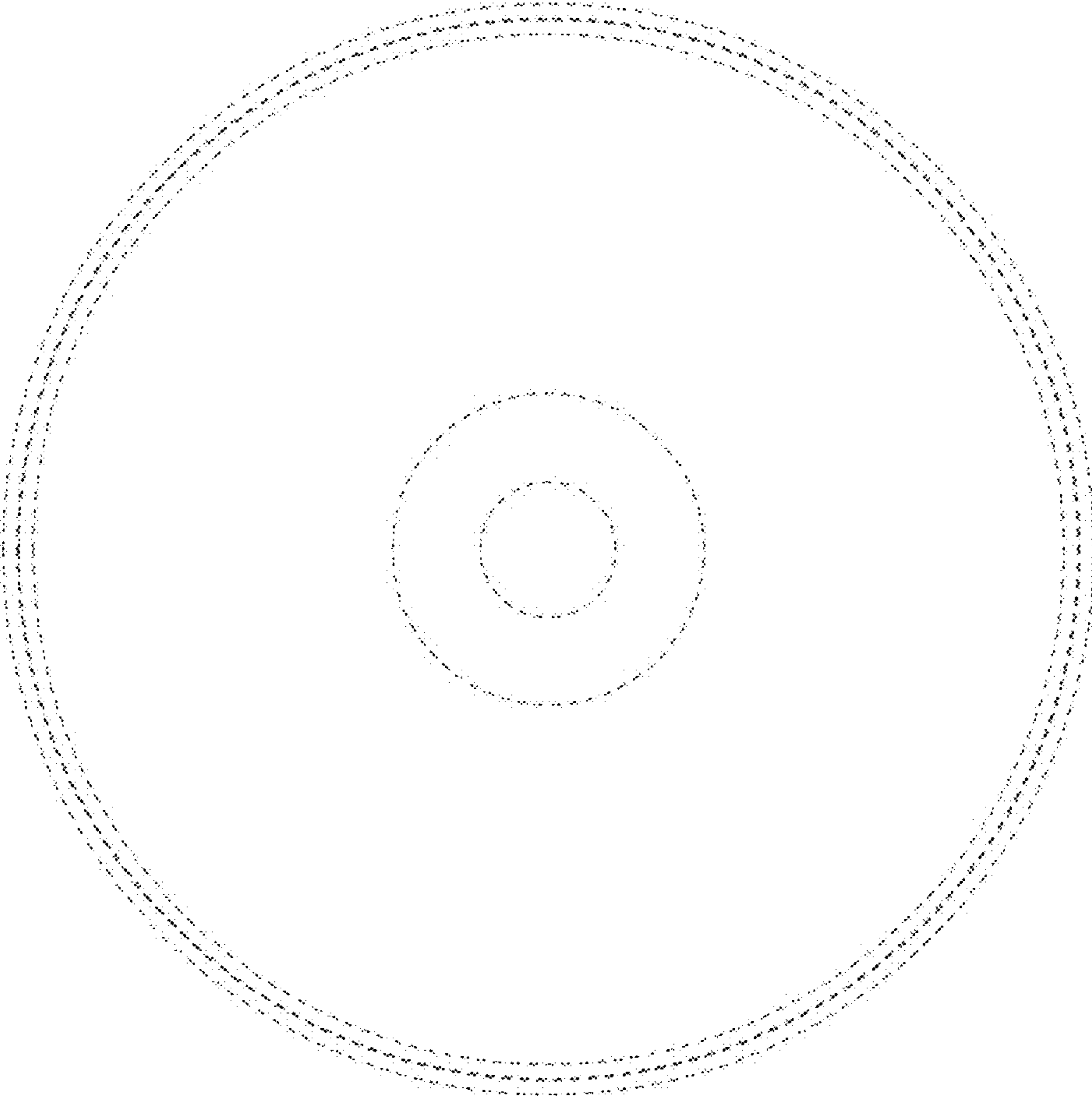


FIG. 4

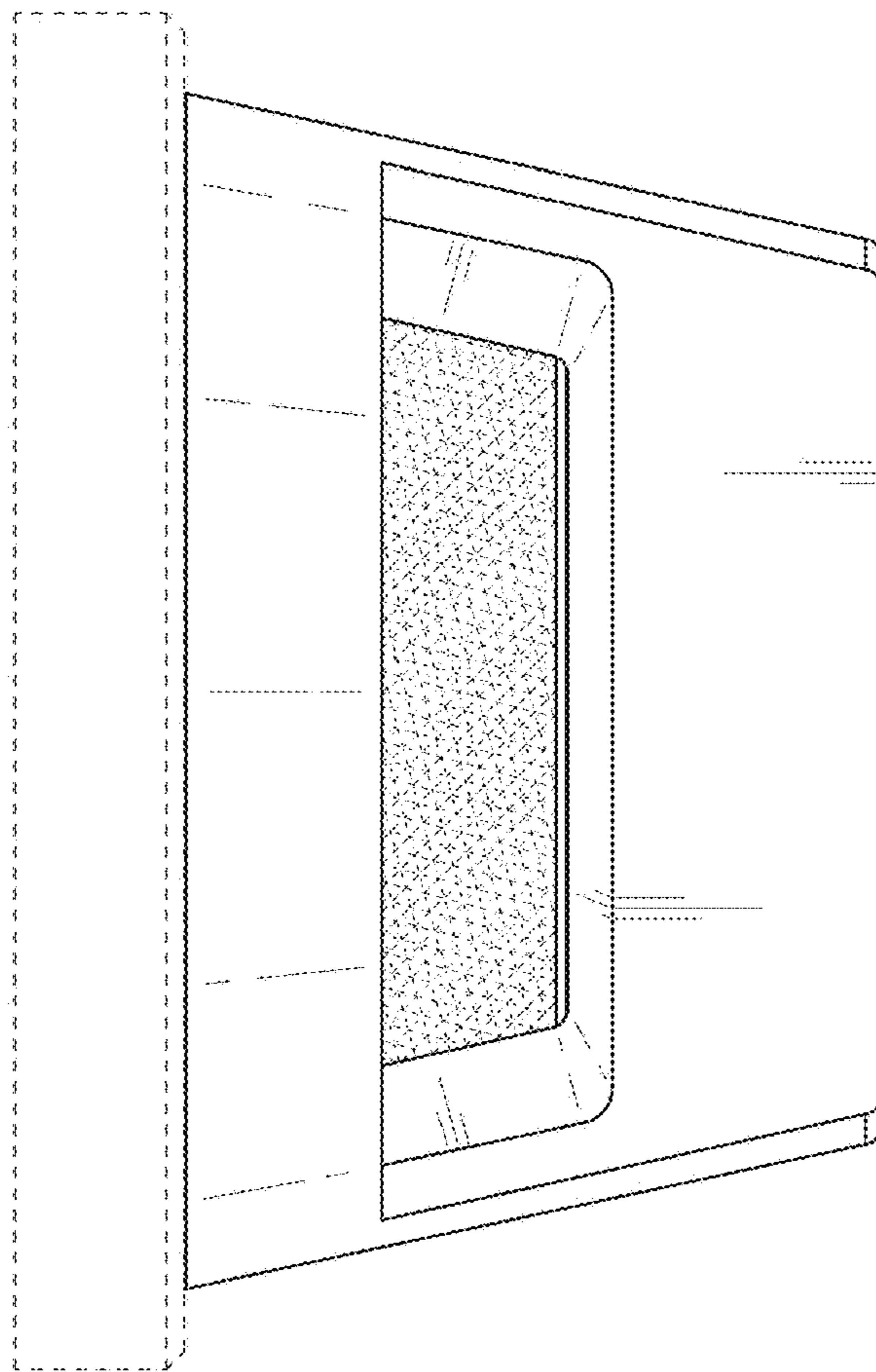


FIG. 5

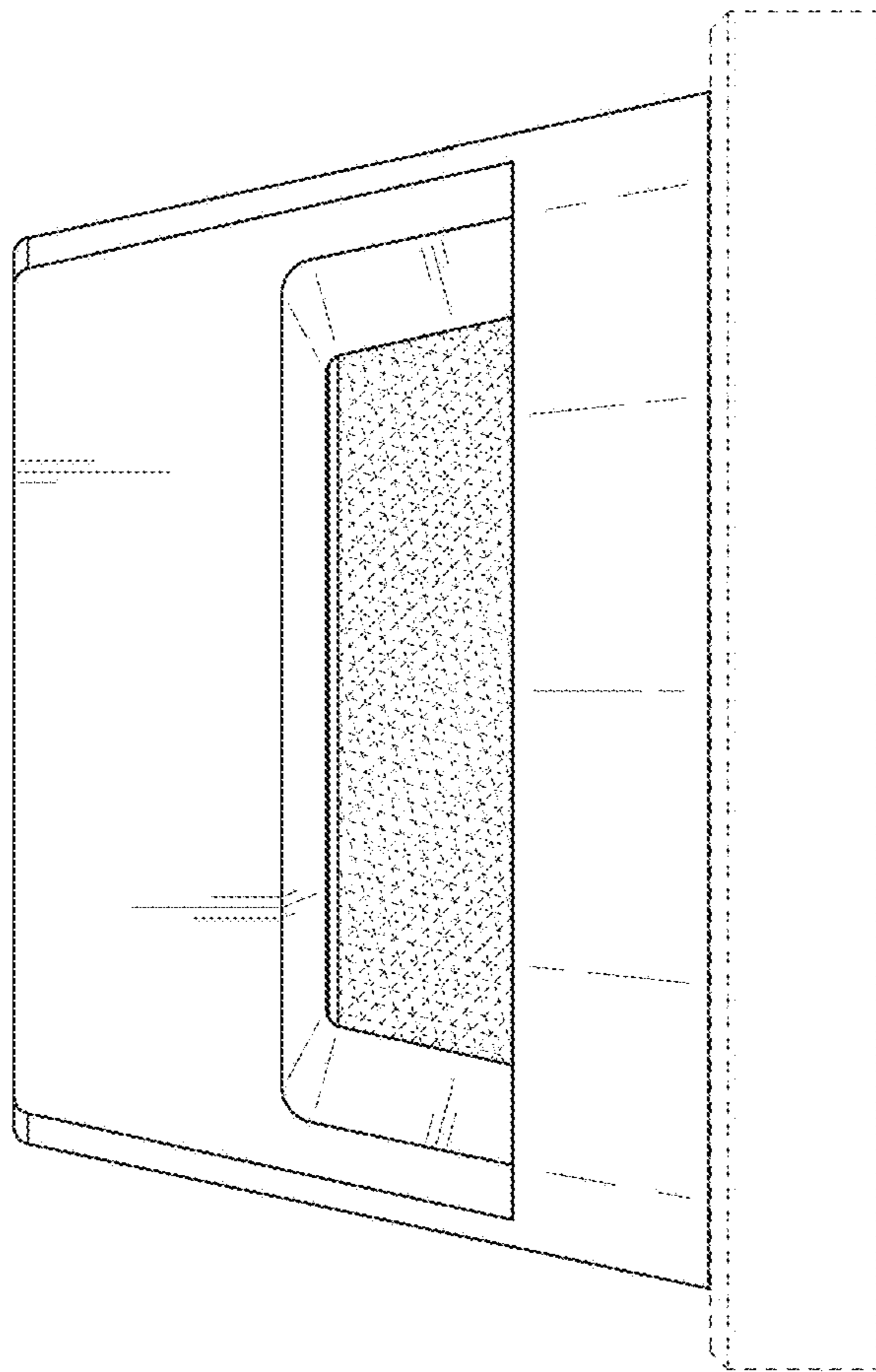


FIG. 6

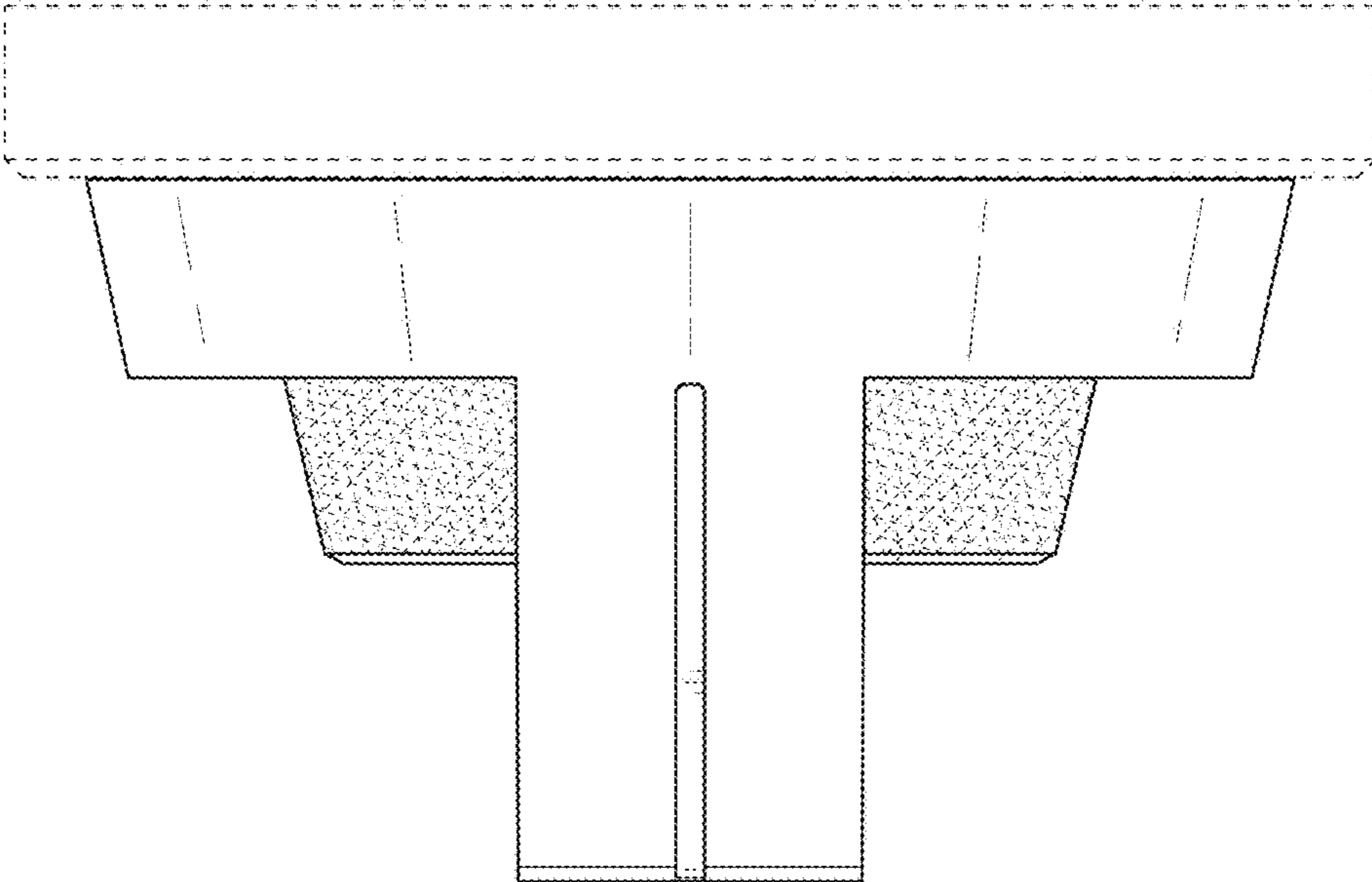


FIG. 7

