



US00D840209S

(12) **United States Design Patent**  
**Harrington et al.**

(10) **Patent No.:** **US D840,209 S**

(45) **Date of Patent:** **\*\* Feb. 12, 2019**

- (54) **HANDLE**
- (71) Applicant: **Unger Marketing International, LLC**,  
Bridgeport, CT (US)
- (72) Inventors: **William Harrington**, Charlestown, RI  
(US); **Robert F. Smith**, Waterbury, CT  
(US); **James M. Buckley**, New  
Hartford, CT (US)
- (73) Assignee: **UNGER MARKETING**  
**INTERNATIONAL, LLC**, Bridgeport,  
CT (US)
- (\*\*) Term: **15 Years**
- (21) Appl. No.: **29/601,404**
- (22) Filed: **Apr. 21, 2017**
- (51) **LOC (11) Cl.** ..... **08-06**
- (52) **U.S. Cl.**  
USPC ..... **D8/303**
- (58) **Field of Classification Search**  
USPC ..... D8/10, 80, 107, 300, 301, 303; D7/393,  
D7/395; D32/49, 51, 52; 294/49, 51,  
294/53.5, 54.5, 55.5, 56, 57, 58;  
16/110.1, 421, 422, 429, 430; 134/6  
CPC . A47L 13/22; A47L 1/08; A47L 13/44; A46B  
11/001; A46B 11/002; B08B 1/00; B08B  
3/026  
See application file for complete search history.

5,458,029	A	10/1995	Walsky	
5,490,438	A	2/1996	Zupo	
6,003,188	A *	12/1999	Henry	A46B 5/02 15/143.1
6,223,628	B1	5/2001	Barron	
6,260,442	B1	7/2001	Bayat	
6,425,701	B1 *	7/2002	Jacobs	A46B 11/0013 401/206
D492,119	S *	6/2004	Hay	D4/127
6,883,400	B2	4/2005	Sugano	
6,928,901	B1	8/2005	Rainin	
7,064,292	B1 *	6/2006	Oishi	B62J 33/00 219/202
7,143,668	B2	12/2006	Johnson	
D534,413	S *	1/2007	Higashi	D8/303
D553,938	S *	10/2007	Shih	D8/107
D556,536	S *	12/2007	Aglassinger	D8/107
D591,953	S *	5/2009	Krus	D4/127
7,631,579	B2	12/2009	Johnson	
7,775,490	B2	8/2010	Kawabata	
7,837,163	B2	11/2010	Takahashi	
7,841,568	B2	11/2010	Takahashi	

(Continued)

Primary Examiner — Lauren R Calve

(74) Attorney, Agent, or Firm — Cantor Colburn LLP

(57) **CLAIM**

The ornamental design for a handle, as shown and described.

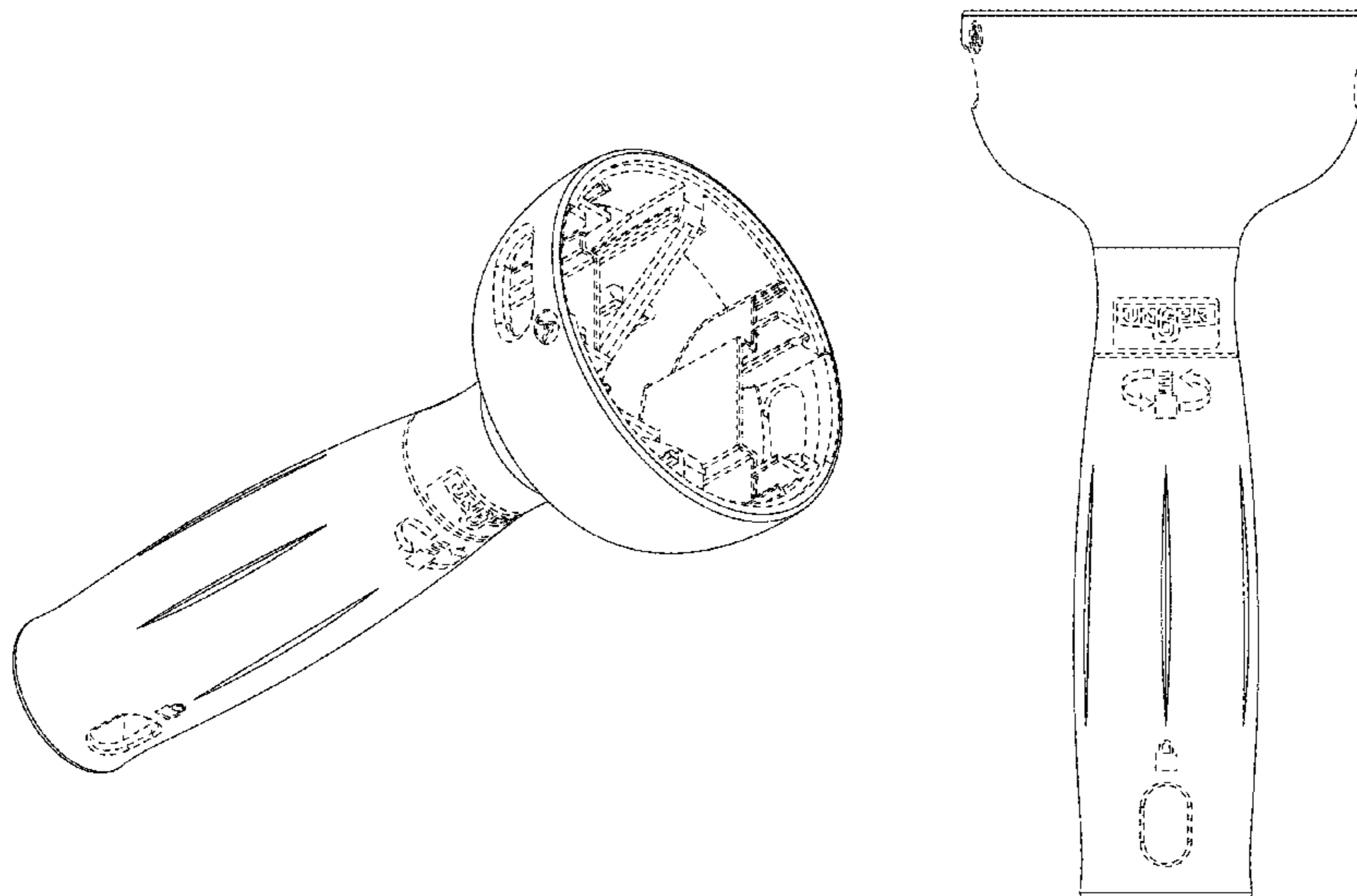
**DESCRIPTION**

FIG. 1 is a perspective view of a handle according to the present disclosure;  
 FIG. 2 is a first side view of the handle of FIG. 1, the opposite side being identical thereto;  
 FIG. 3 is a front view of the handle of FIG. 1, the rear view being identical thereto;  
 FIG. 4 is a top view of the handle of FIG. 1; and,  
 FIG. 5 is a bottom view of the handle of FIG. 1.  
 The broken lines shown represent unclaimed matter and form no part of the claimed design.

**1 Claim, 5 Drawing Sheets**

- (56) **References Cited**  
U.S. PATENT DOCUMENTS

697,961	A	4/1902	Ainsworth
1,056,084	A	3/1913	Bates
1,831,477	A	11/1931	Birong
4,663,996	A	5/1987	Grudgfield
5,317,939	A	6/1994	Marinescu
5,436,526	A	7/1995	Hohaus

(56)

References Cited

U.S. PATENT DOCUMENTS

7,856,907 B2	12/2010	Johnson		8,973,877 B2	3/2015	Chen	
7,913,345 B2	3/2011	Dayton		9,056,393 B1	6/2015	Gary	
7,926,141 B2	4/2011	Dayton		9,070,544 B1	6/2015	Shaps	
D649,314 S *	11/2011	Quinlan	..... D32/41	D745,347 S	12/2015	Gurwicz	
8,096,026 B2	1/2012	Bevirt		D792,043 S *	7/2017	Buckley	..... D32/50
8,104,380 B2	1/2012	Johnson		2007/0154254 A1	7/2007	Bevirt	
D654,775 S *	2/2012	Higashi	..... D8/303	2008/0035807 A1	2/2008	Bevirt	
8,256,329 B2	9/2012	Ota		2008/0217493 A1	9/2008	Bevirt	
D672,562 S *	12/2012	Chang	..... D4/127	2008/0230661 A1	9/2008	Kawabata	
8,448,546 B2	5/2013	Johnson		2009/0184220 A1	7/2009	Takahashi	
8,453,540 B2	6/2013	Ellis		2009/0194651 A1	8/2009	Takahashi	
D688,489 S *	8/2013	Cohen	..... E03C 1/308 D6/524	2013/0168523 A1	7/2013	Summers	
8,539,863 B2	9/2013	Gatski		2013/0213186 A1	8/2013	Gatski	
8,555,749 B2	10/2013	Gatski		2013/0213187 A1	8/2013	Gatski	
8,783,136 B2	7/2014	Workman		2014/0027588 A1	1/2014	Chen	
8,783,634 B2	7/2014	Summers		2016/0008971 A1 *	1/2016	Harrington	..... B25G 1/102 15/143.1
8,869,655 B2	10/2014	Johnson		2016/0029859 A1 *	2/2016	Harrington	..... A46B 5/02 15/143.1
				2016/0198925 A1 *	7/2016	Hoyle	..... A47L 13/42 15/143.1

\* cited by examiner

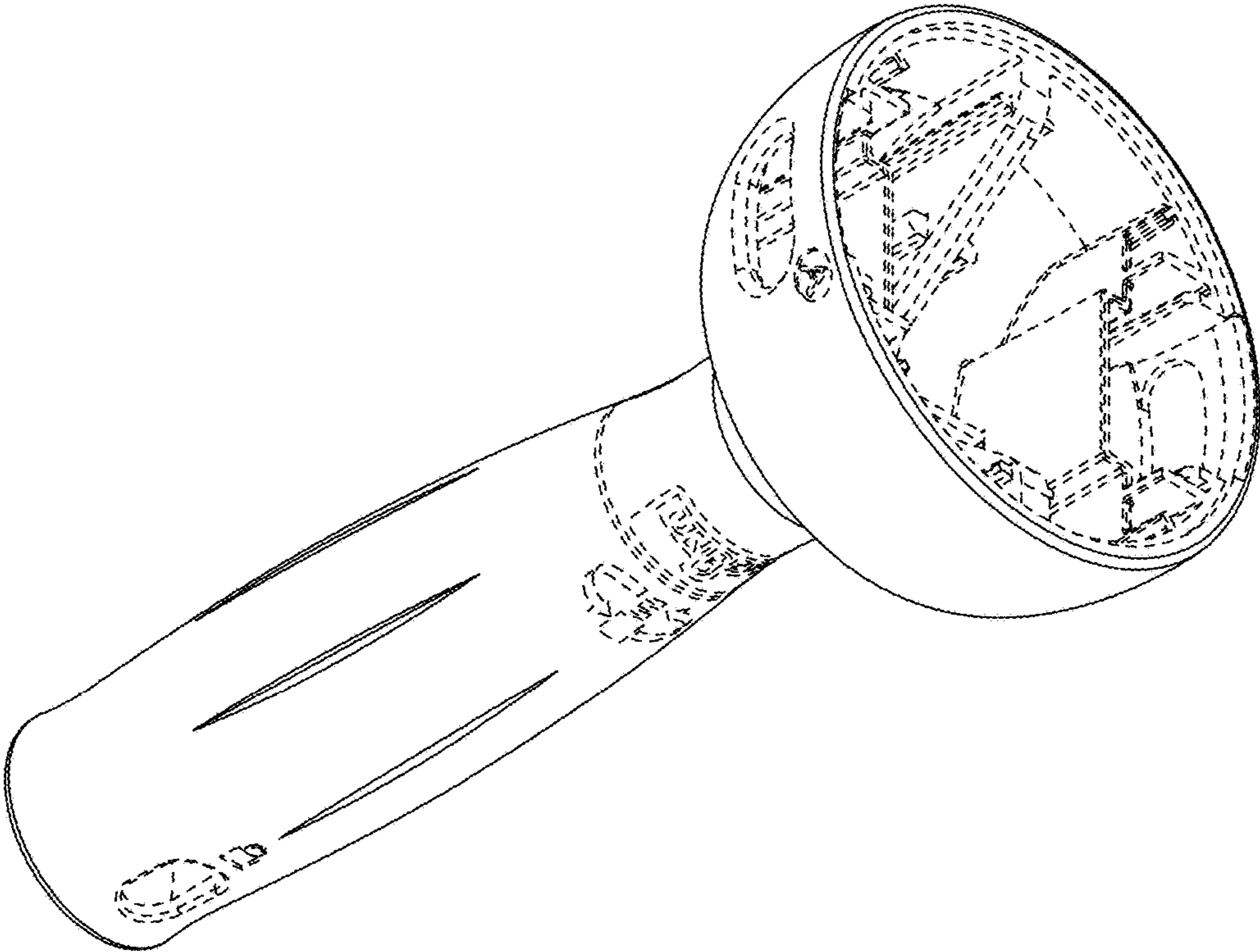


FIG. 1

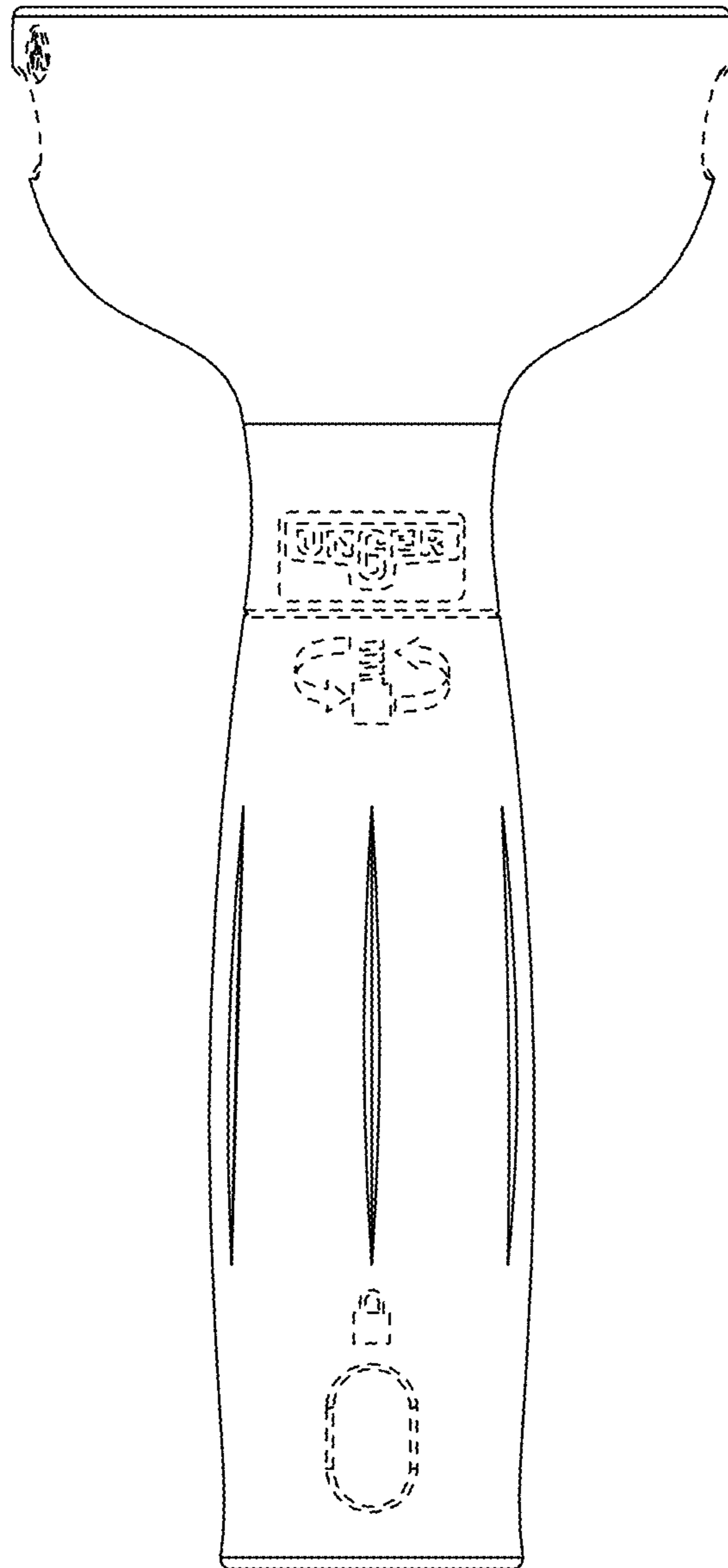


FIG. 2

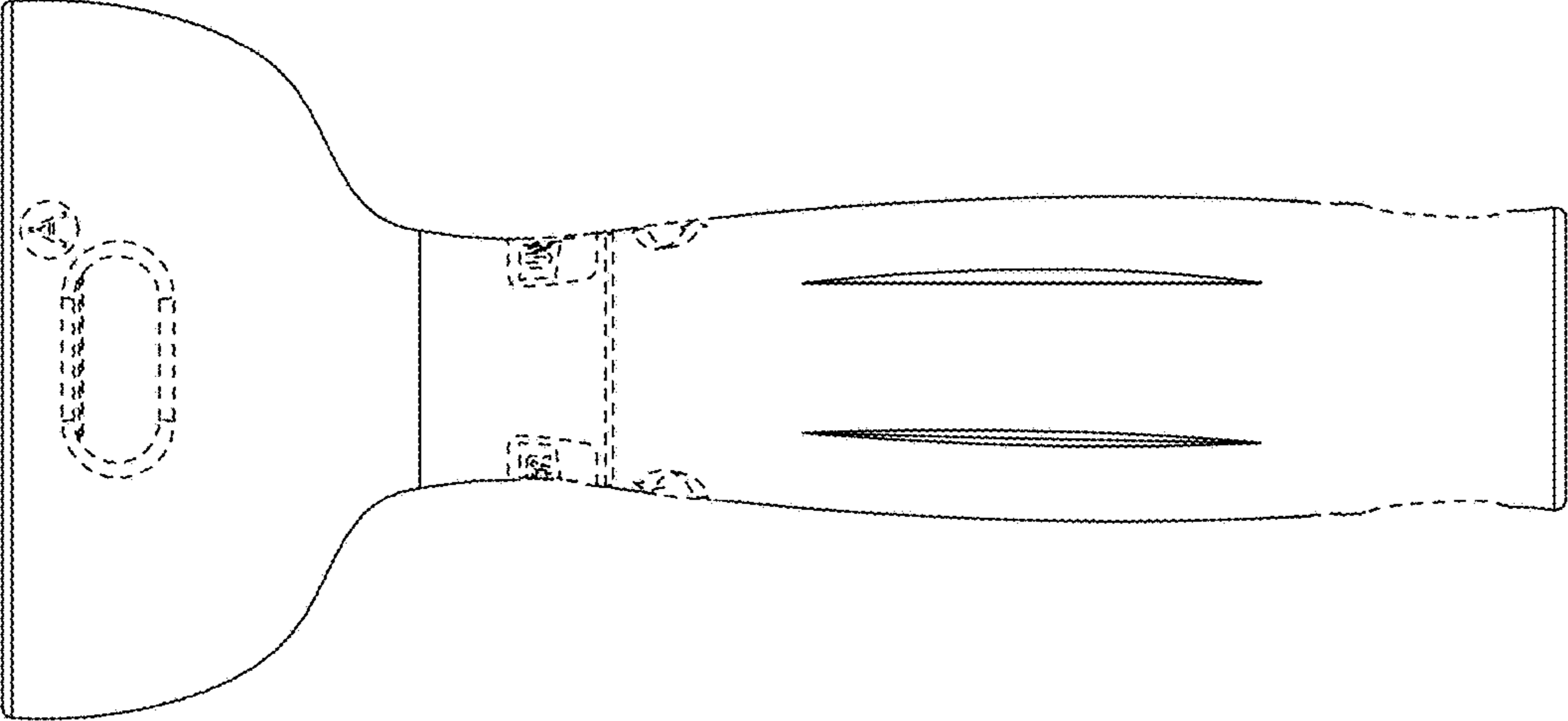


FIG. 3

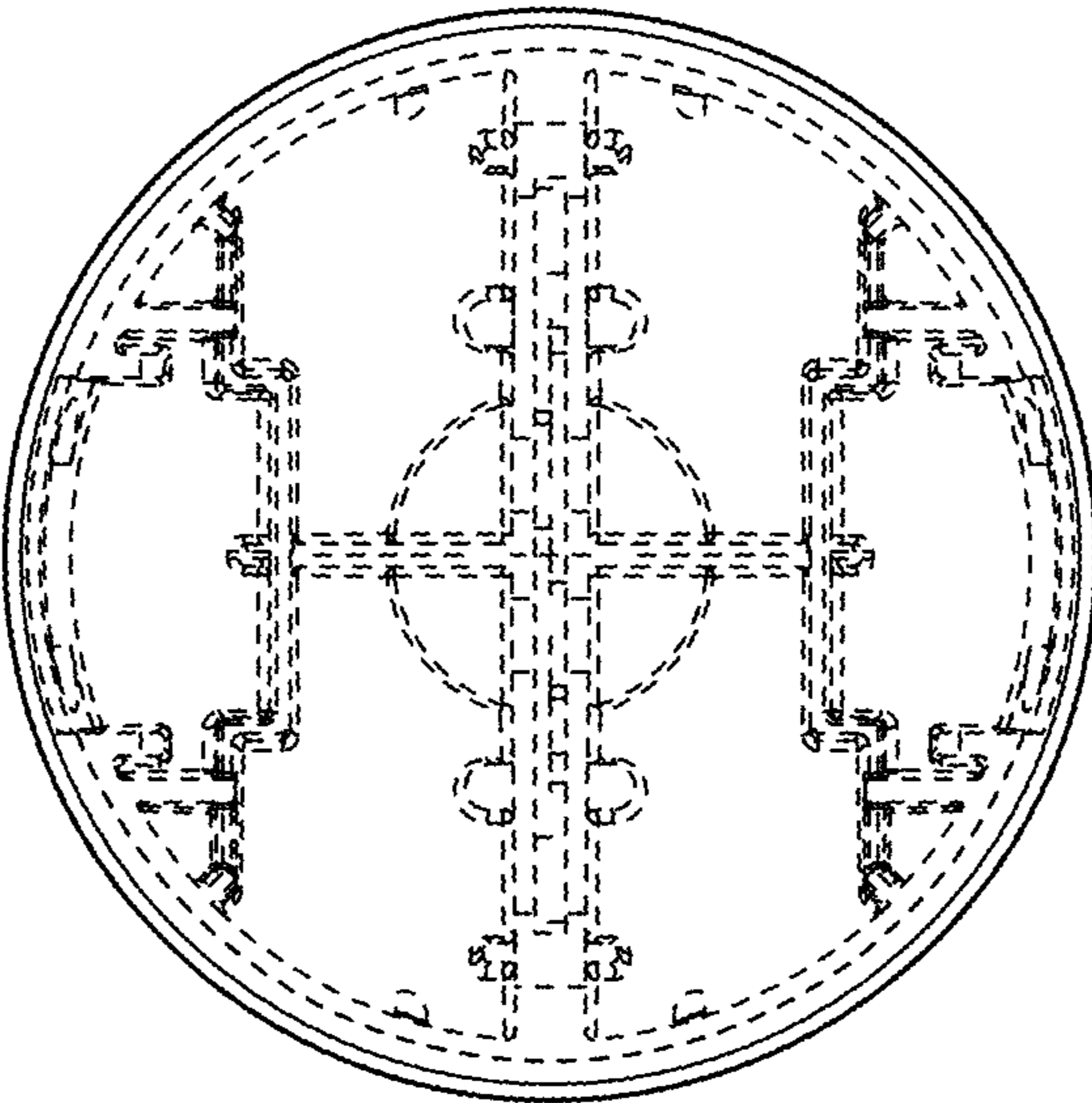


FIG. 4

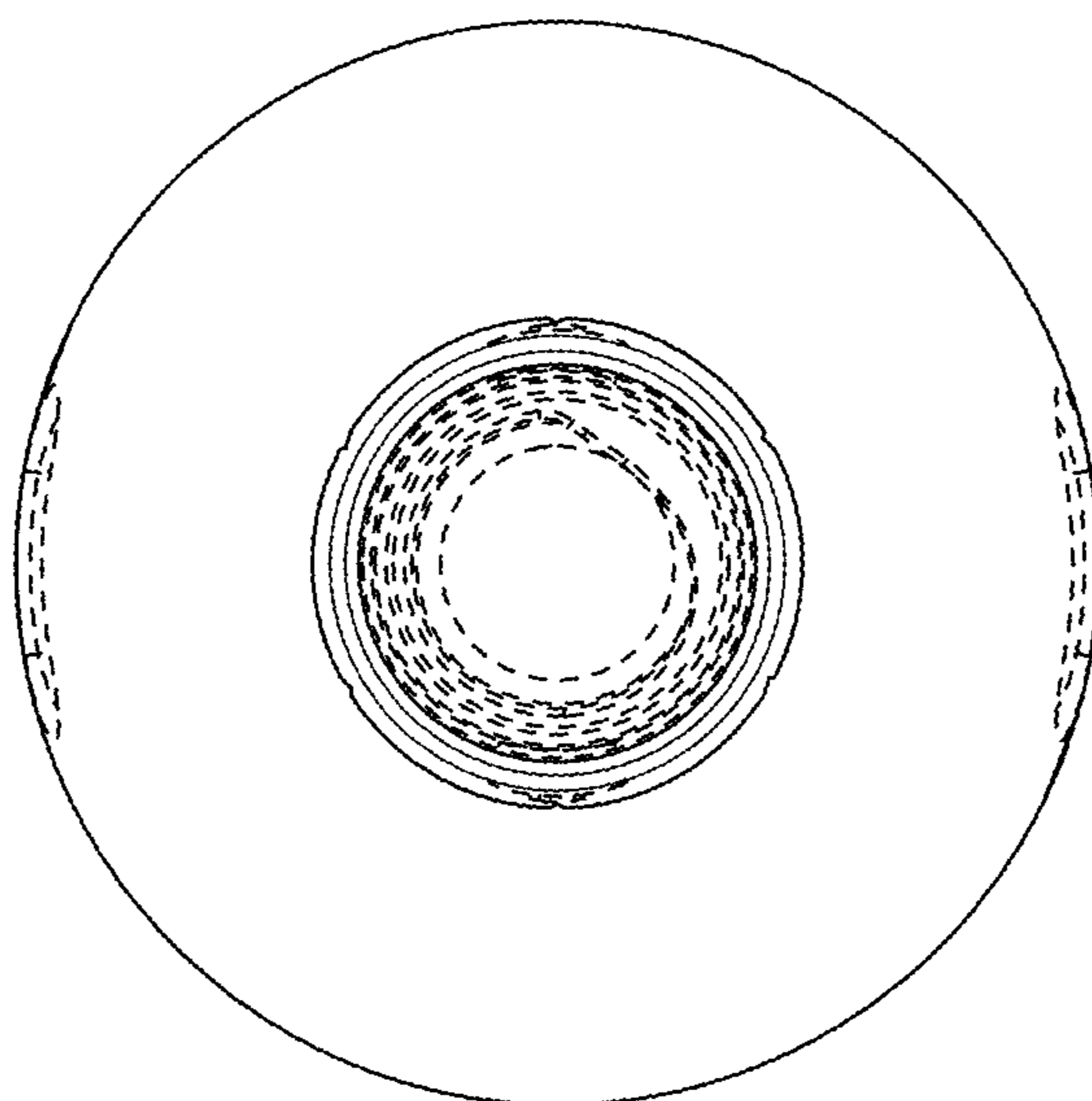


FIG. 5