



US00D840207S

(12) **United States Design Patent**  
**Sun et al.**

(10) **Patent No.:** **US D840,207 S**

(45) **Date of Patent:** **\*\* Feb. 12, 2019**

(54) **HANDLE**

(71) Applicants: **Chenggang Sun**, Zhejiang (CN); **Chao Ma**, Zhejiang (CN)

(72) Inventors: **Chenggang Sun**, Zhejiang (CN); **Chao Ma**, Zhejiang (CN)

(73) Assignee: **Cixi Chengjia Hardware Tools Co., Ltd.**, Cixi, Zhejiang (CN)

(\*\*) Term: **15 Years**

(21) Appl. No.: **29/564,754**

(22) Filed: **May 16, 2016**

(51) **LOC (11) Cl.** ..... **08-05**

(52) **U.S. Cl.**  
USPC ..... **D8/107; D8/83**

(58) **Field of Classification Search**  
USPC ..... D8/21, 25, 82-87, 107; D24/107, 133, D24/146, 171  
CPC ..... A47J 43/26; B25B 13/463; B25B 13/468; B25B 15/04; B25G 1/005; B25G 1/085  
See application file for complete search history.

(56) **References Cited**

**U.S. PATENT DOCUMENTS**

D422,475 S \* 4/2000 Su ..... D8/107  
D493,527 S \* 7/2004 Szabo ..... D24/133

D520,325 S \* 5/2006 Su ..... D8/83  
D585,261 S \* 1/2009 Shih ..... D8/83  
D647,613 S \* 10/2011 Paget ..... D24/133  
D671,813 S \* 12/2012 Lin ..... D8/83  
D753,978 S \* 4/2016 Ranieri ..... D8/83  
D778,703 S \* 2/2017 Nelson ..... D8/83  
D782,269 S \* 3/2017 Bast ..... D8/107

\* cited by examiner

*Primary Examiner* — Philip S Hyder

(74) *Attorney, Agent, or Firm* — Jen-Feng Lee, Esq.

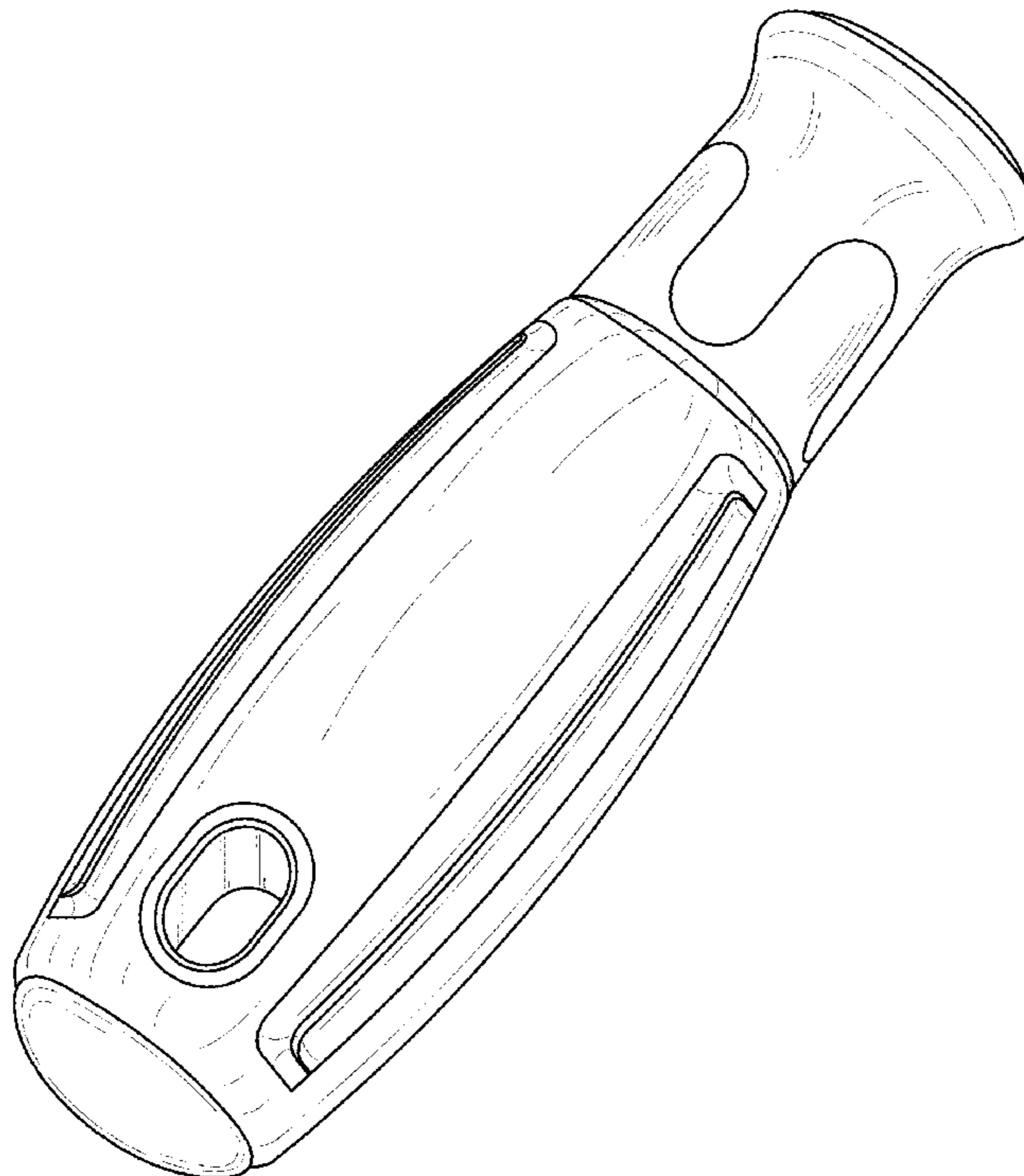
(57) **CLAIM**

We claim the ornamental design for a handle, as shown and described.

**DESCRIPTION**

FIG. 1 is a perspective view of a handle showing my new design,  
FIG. 2 is a front view thereof,  
FIG. 3 is a rear view thereof,  
FIG. 4 is a left-side view thereof,  
FIG. 5 is a right-side view thereof,  
FIG. 6 is a top view thereof; and,  
FIG. 7 is a bottom view thereof.

**1 Claim, 6 Drawing Sheets**



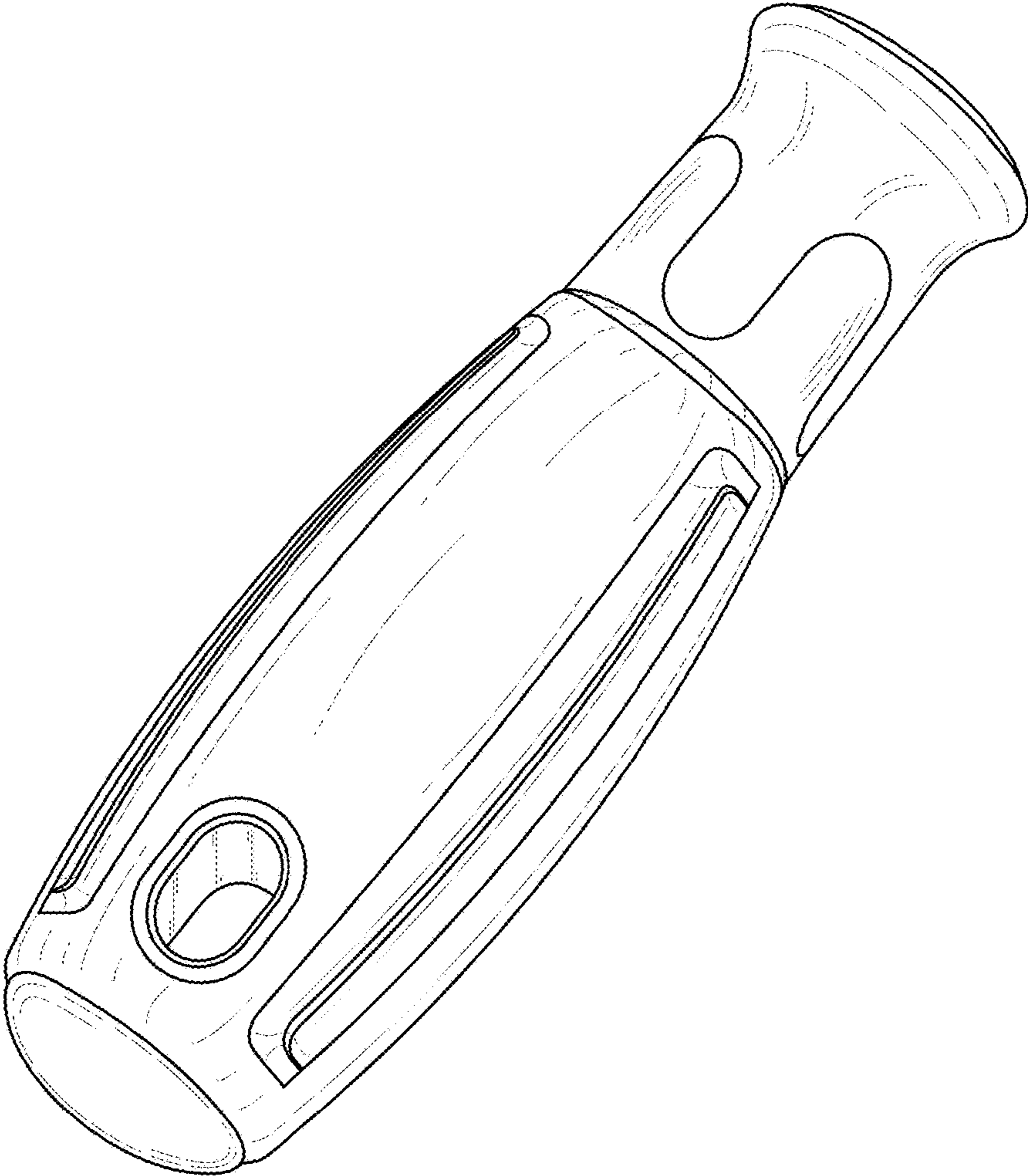


FIG. 1

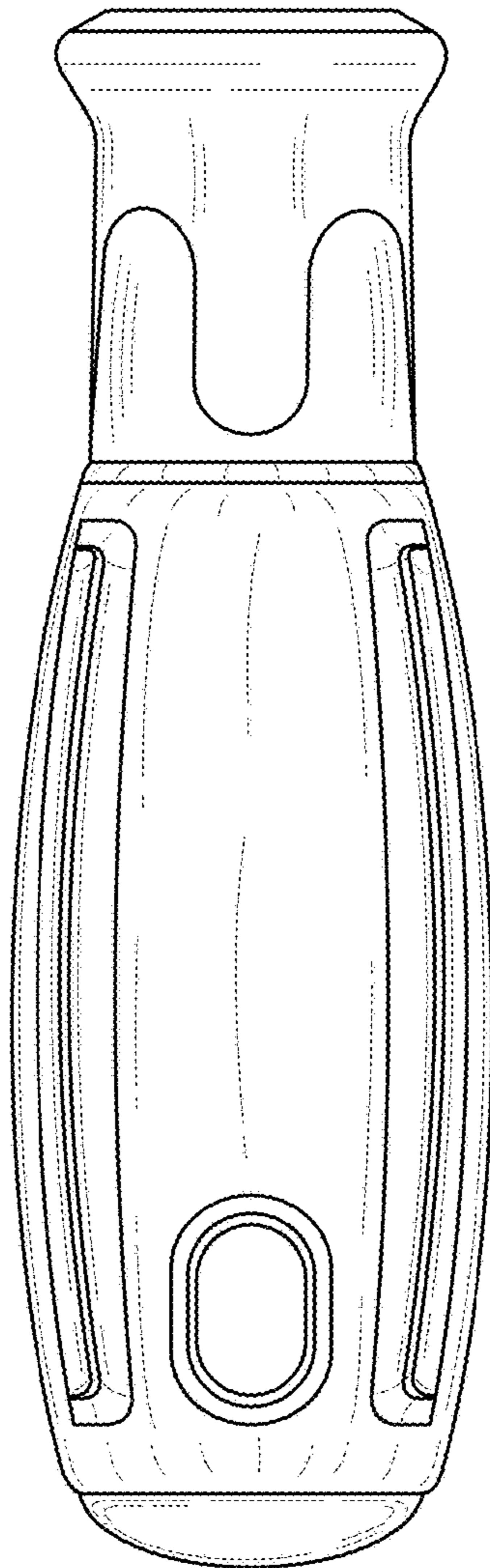


FIG. 2

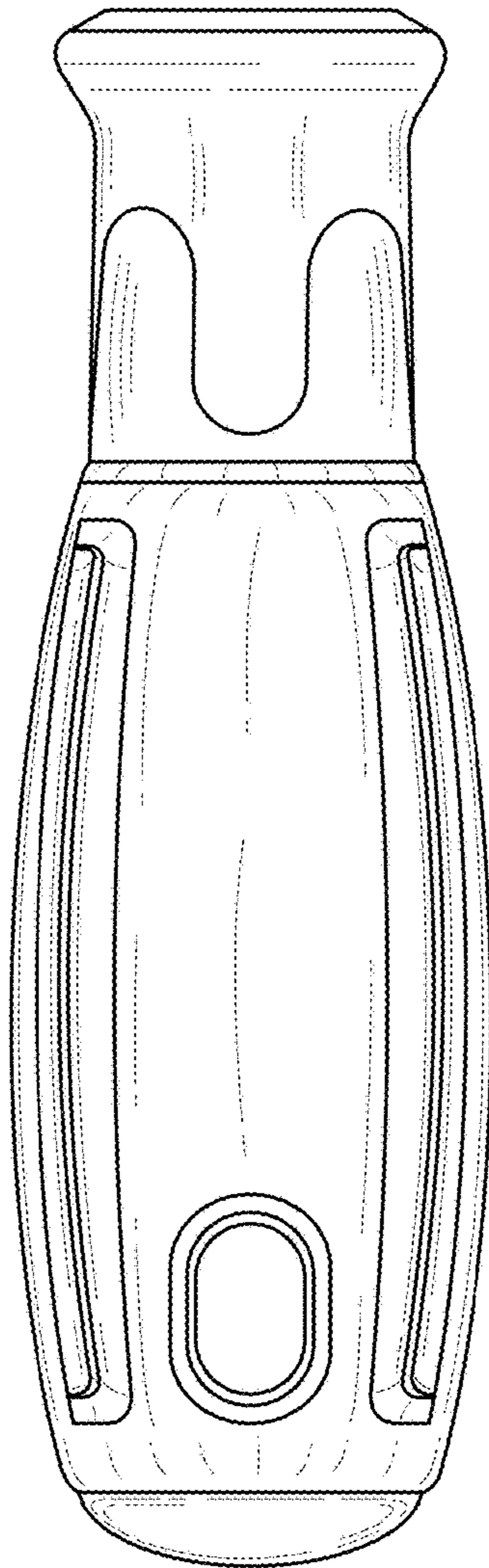


FIG. 3

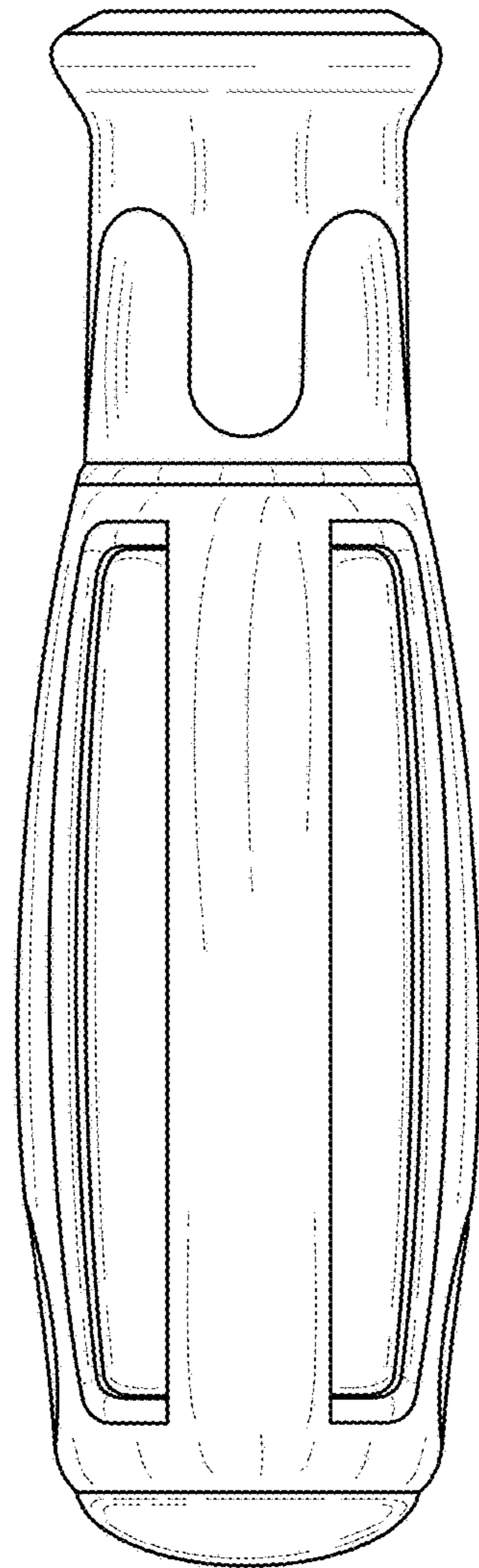


FIG. 4

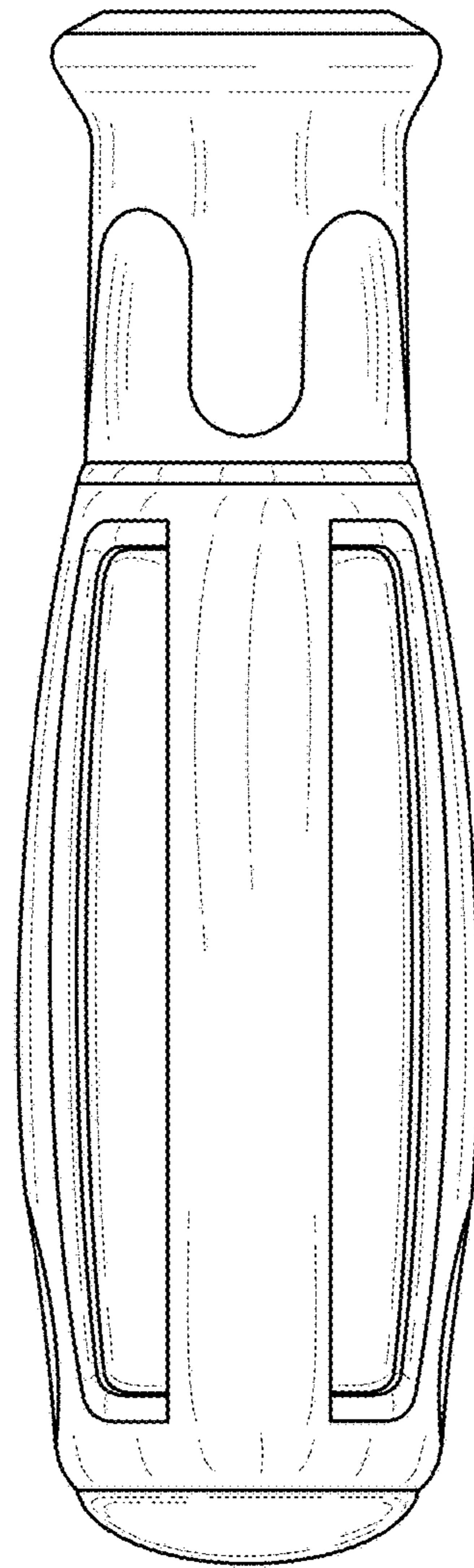


FIG. 5

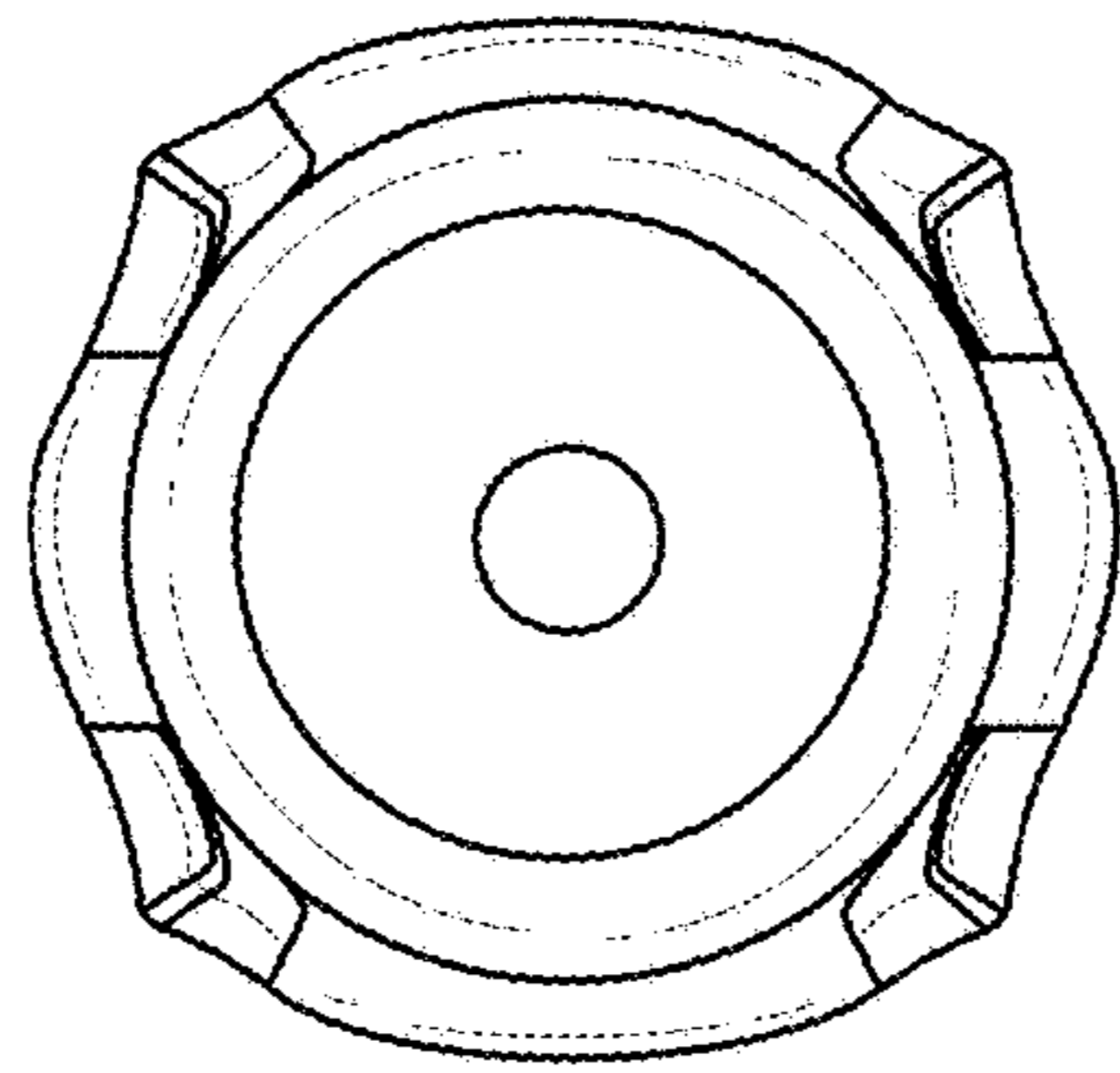


FIG. 6

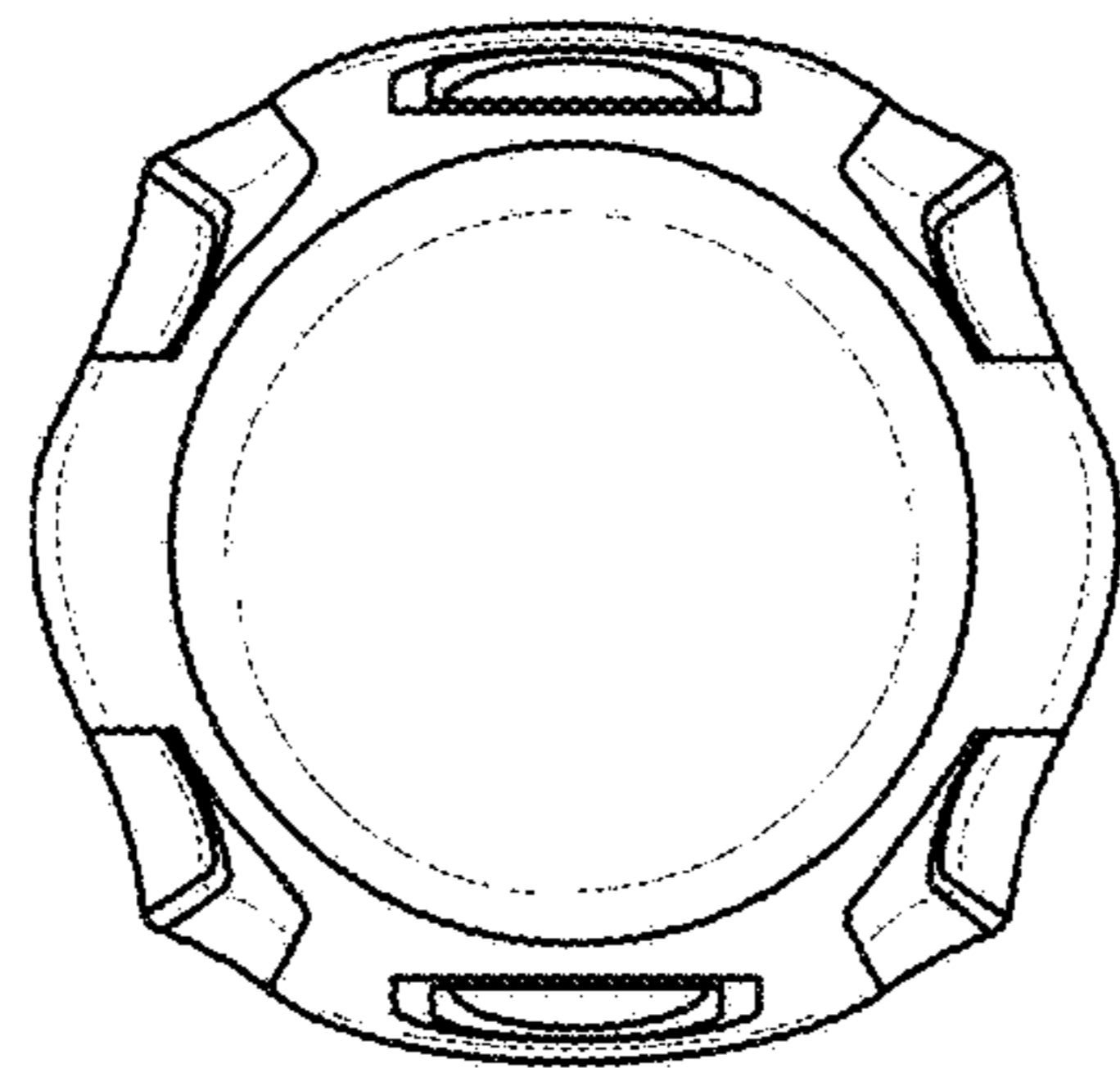


FIG. 7