



US00D840206S

(12) **United States Design Patent**  
**Umbrell**

(10) **Patent No.:** **US D840,206 S**  
(45) **Date of Patent:** **\*\* Feb. 12, 2019**

- (54) **BUFFING PAD**
- (71) Applicant: **Buff and Shine Manufacturing, Inc.**,  
Rancho Dominguez, CA (US)
- (72) Inventor: **Richard Umbrell**, Rancho Palos  
Verdes, CA (US)
- (73) Assignee: **Buff and Shine Manufacturing, Inc.**,  
Rancho Dominguez, CA (US)
- (\*\*) Term: **15 Years**
- (21) Appl. No.: **29/641,921**
- (22) Filed: **Mar. 26, 2018**

**Related U.S. Application Data**

- (62) Division of application No. 29/559,304, filed on Mar.  
25, 2016, now Pat. No. Des. 813,634.
- (51) **LOC (11) Cl.** ..... **08-05**
- (52) **U.S. Cl.**  
USPC ..... **D8/70**
- (58) **Field of Classification Search**  
USPC ..... D8/61, 62, 70, 90; D15/124-126, 138,  
D15/139; D32/7, 13, 15, 19, 17, 25, 35,  
D32/40, 41, 42  
CPC ..... A46B 5/00; A46B 5/0025; A46B 5/0062;  
A46B 5/02; A46B 17/00; A46B 17/02;  
A46B 17/06; A46B 2200/30; A46B  
2200/3006; A46B 2200/3013; B24B  
37/26; B24D 13/14; B24D 13/20  
See application file for complete search history.

(56) **References Cited**

**U.S. PATENT DOCUMENTS**

- 2,564,217 A \* 8/1951 Taylor ..... B24D 5/12  
451/541
- 2,650,385 A \* 9/1953 De Michel ..... A47L 13/24  
15/230.1

- 3,990,124 A \* 11/1976 MacKay, Jr. .... B24D 13/00  
15/230.12
- 4,580,308 A \* 4/1986 Ashworth ..... A47L 11/164  
15/230.12
- 4,607,412 A \* 8/1986 Ashworth ..... B24D 13/20  
15/230
- 4,617,767 A \* 10/1986 Ali ..... B24D 9/085  
451/490
- 5,054,246 A \* 10/1991 Phaal ..... B24D 18/00  
125/39
- 5,527,215 A \* 6/1996 Rubino ..... B24B 37/26  
451/527
- 5,938,515 A \* 8/1999 McLain ..... B24D 3/22  
451/528
- 5,944,586 A \* 8/1999 Sevigny ..... B24D 7/04  
451/359
- 6,044,512 A \* 4/2000 Hornby ..... B24D 9/085  
15/230
- 6,312,485 B1 \* 11/2001 Kaiser ..... B24D 3/22  
451/527

(Continued)

*Primary Examiner* — Michelle E. Wilson  
(74) *Attorney, Agent, or Firm* — Francisco A.  
Rubio-Campos; Apogee Law Group P.C.

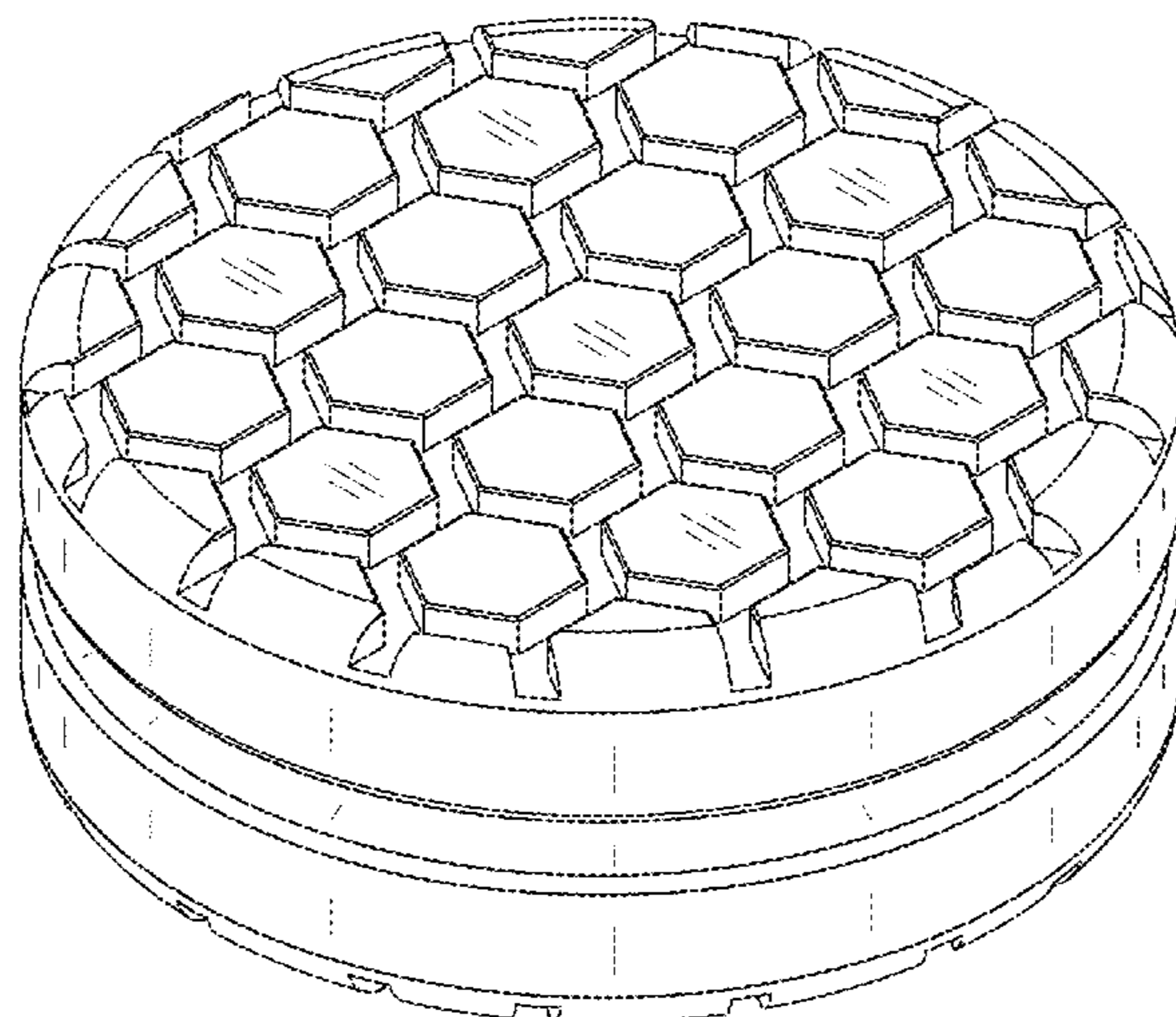
(57) **CLAIM**

I claim the ornamental design for a buffing pad, as shown  
and described.

**DESCRIPTION**

FIG. 1 is a top perspective view of a buffing pad showing my  
new design;  
FIG. 2 is a bottom perspective view thereof;  
FIG. 3 is a top plan view thereof;  
FIG. 4 is a bottom plan view thereof;  
FIG. 5 is a left/right elevational view thereof, as these views  
are mirror images of each other; and,  
FIG. 6 is a front/rear elevational view thereof, as these views  
are mirror images of each other.

**1 Claim, 3 Drawing Sheets**



(56)

**References Cited**

U.S. PATENT DOCUMENTS

6,595,839 B2 \* 7/2003 Staver ..... A46B 13/008  
 451/353  
 6,837,781 B2 \* 1/2005 Hishiki ..... B24B 37/24  
 156/345.12  
 6,895,631 B1 \* 5/2005 Krause ..... A47L 11/164  
 15/230  
 D510,850 S \* 10/2005 Boler, Jr. .... D8/70  
 D553,932 S \* 10/2007 Boler, Jr. .... D8/70  
 D554,813 S \* 11/2007 Boler, Jr. .... D32/25  
 D580,728 S \* 11/2008 Umbrell ..... D8/70  
 D581,236 S \* 11/2008 Umbrell ..... D8/70  
 D591,133 S \* 4/2009 Umbrell ..... D8/70  
 D669,647 S \* 10/2012 Arnold ..... D32/25  
 D684,611 S \* 6/2013 Umbrell ..... D15/126  
 D684,739 S \* 6/2013 Arnold ..... D32/25  
 D742,196 S \* 11/2015 Dow ..... D8/90  
 D759,923 S \* 6/2016 Brown ..... D32/40  
 D785,339 S \* 5/2017 Brown ..... D32/25  
 2002/0092111 A1 \* 7/2002 Krause ..... B24B 23/022  
 15/230  
 2006/0107482 A1 \* 5/2006 Krause ..... B08B 1/04  
 15/230  
 2007/0254567 A1 \* 11/2007 McLain ..... B24D 3/26  
 451/490  
 2010/0144253 A1 \* 6/2010 Umbrell ..... B24D 13/14  
 451/360  
 2012/0064809 A1 \* 3/2012 Krause ..... B24D 13/14  
 451/526  
 2017/0014974 A1 \* 1/2017 Luna ..... B24D 13/145

\* cited by examiner

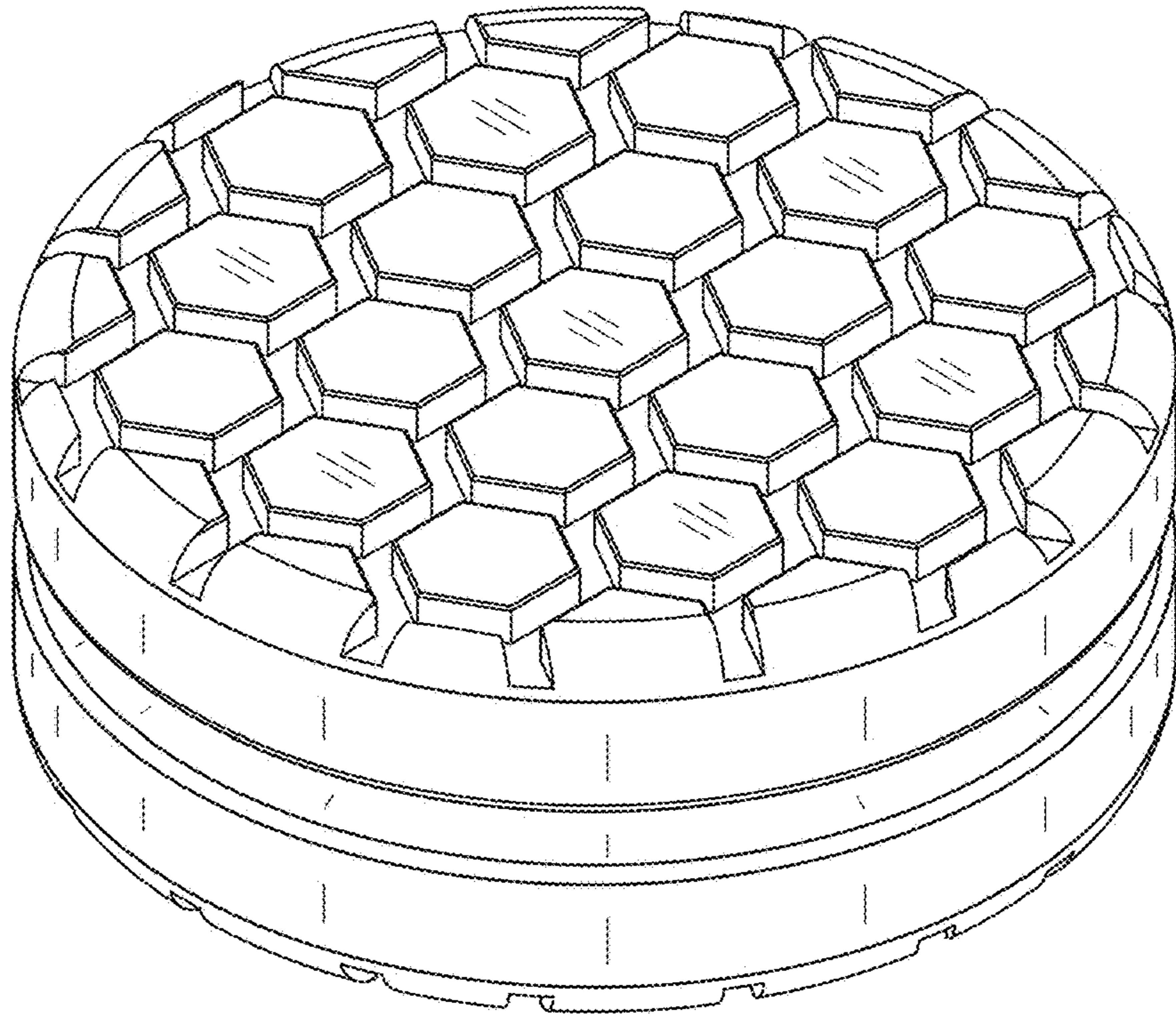


FIG. 1

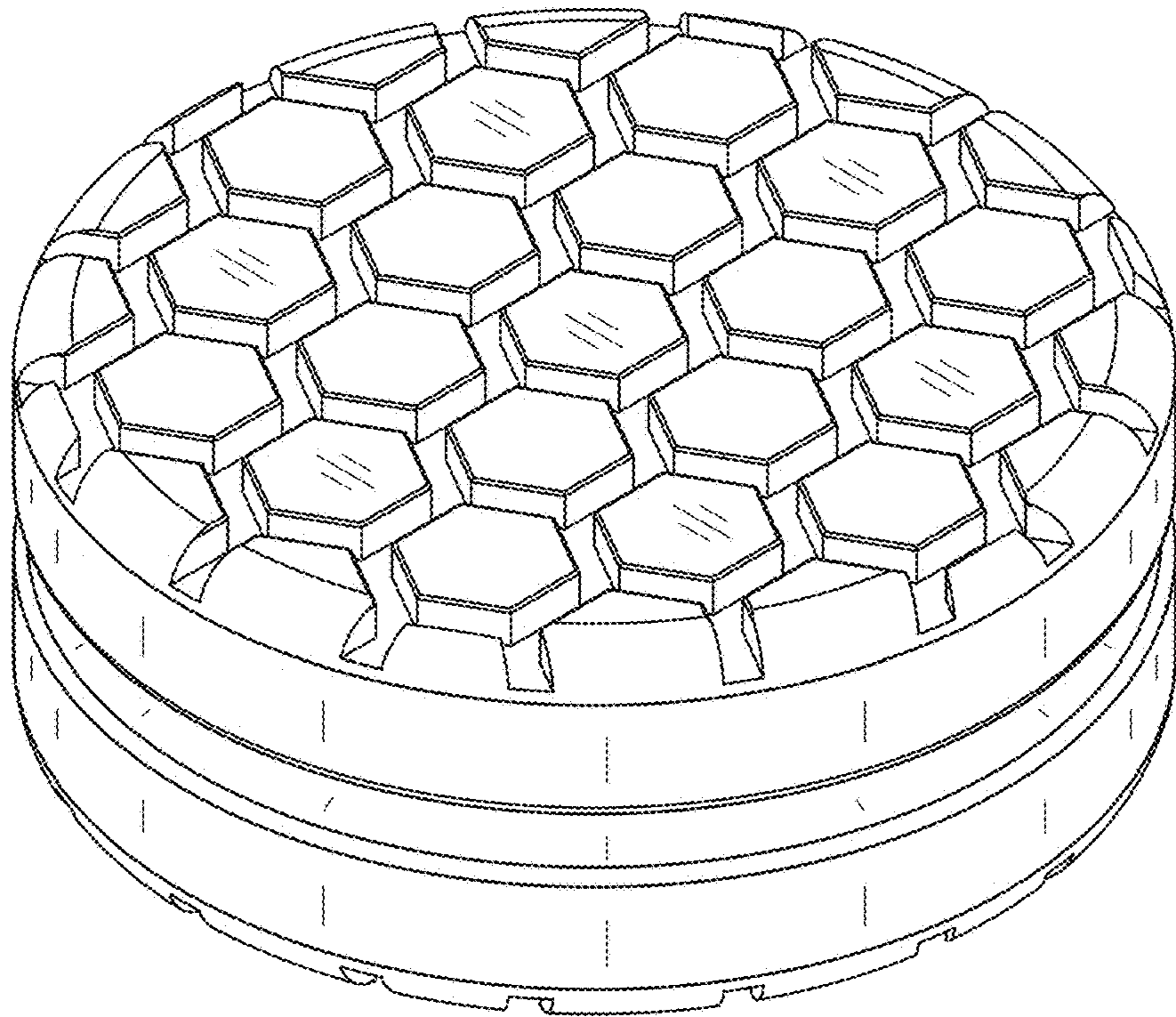


FIG. 2

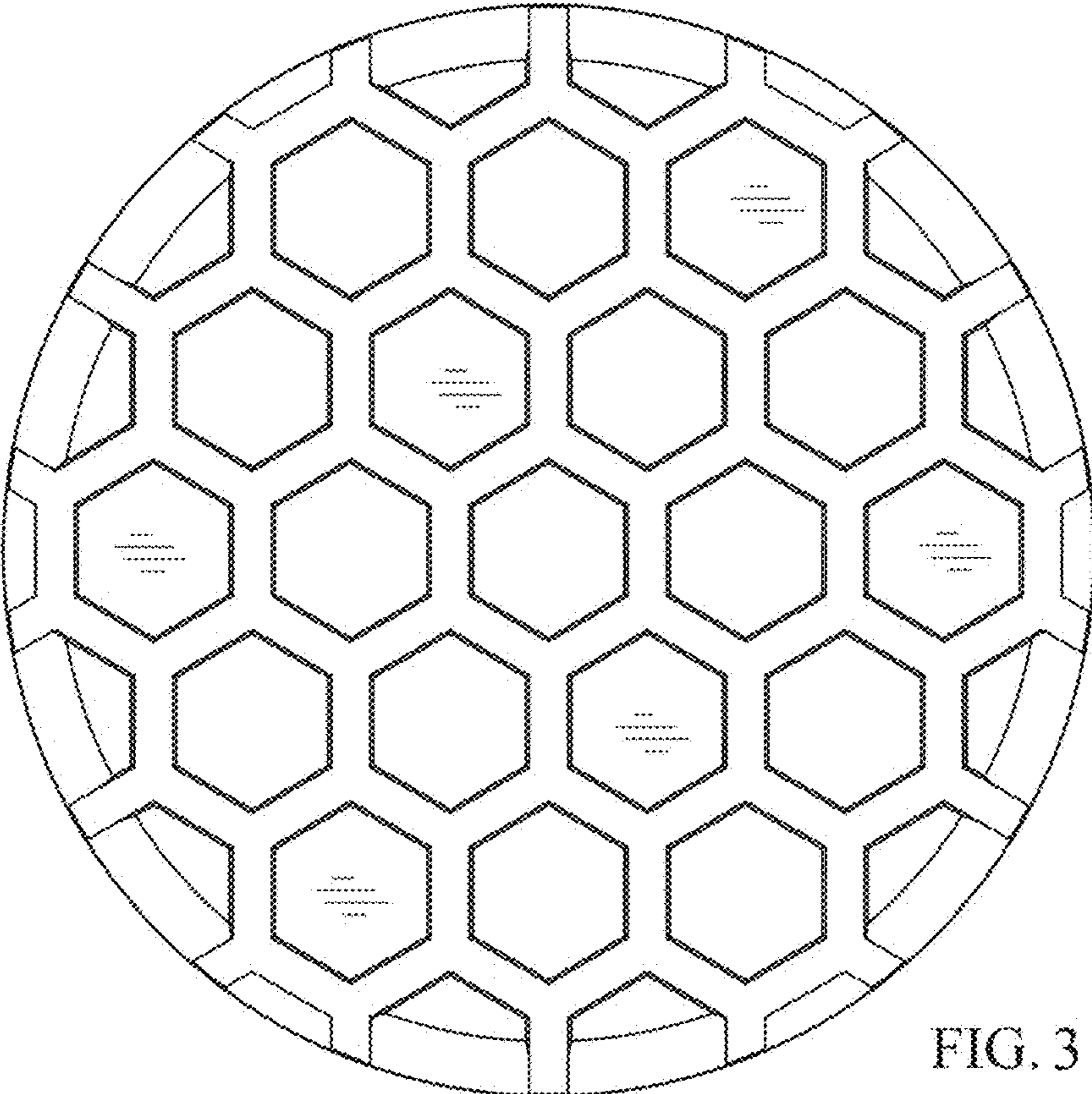


FIG. 3

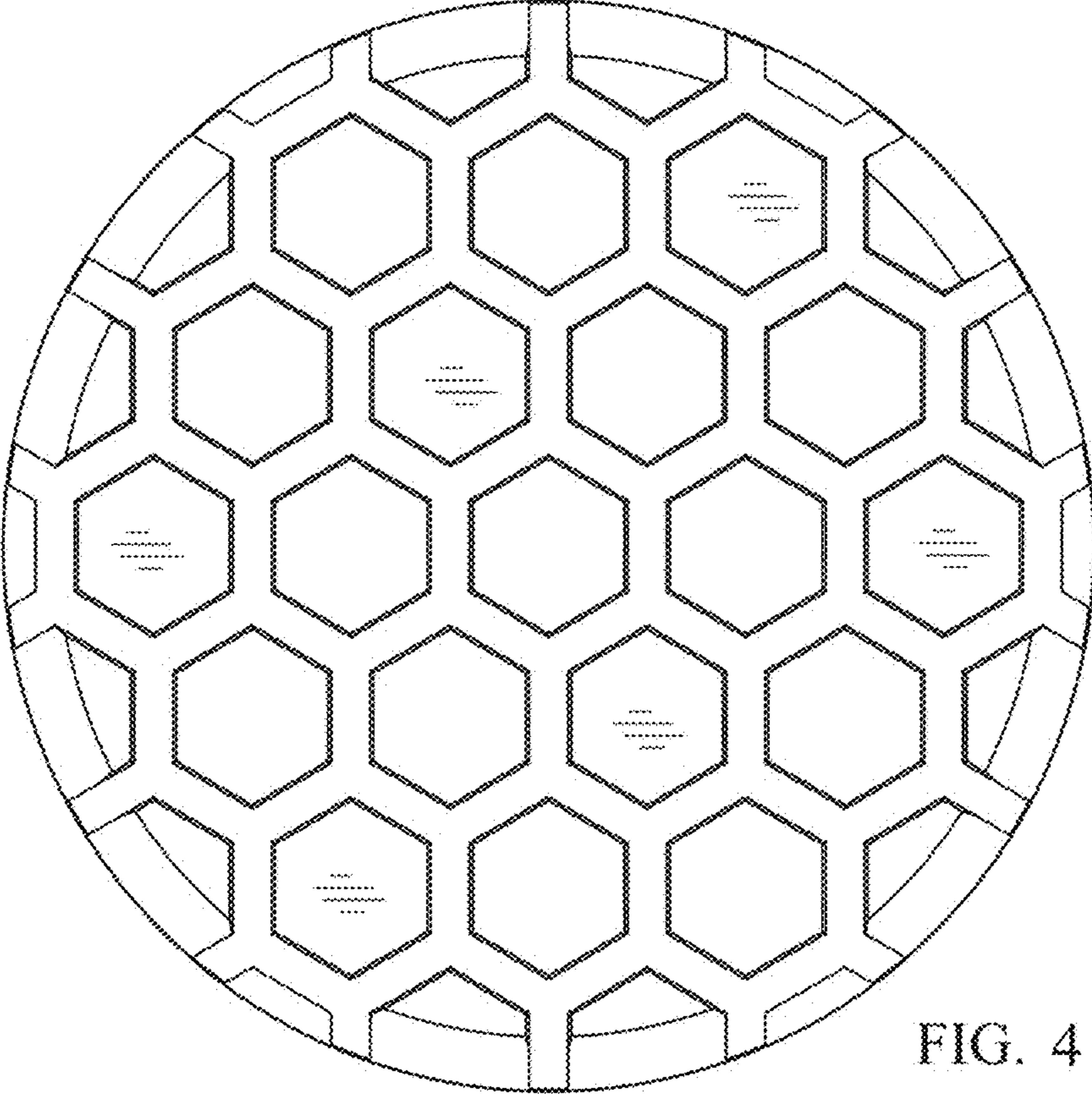


FIG. 4

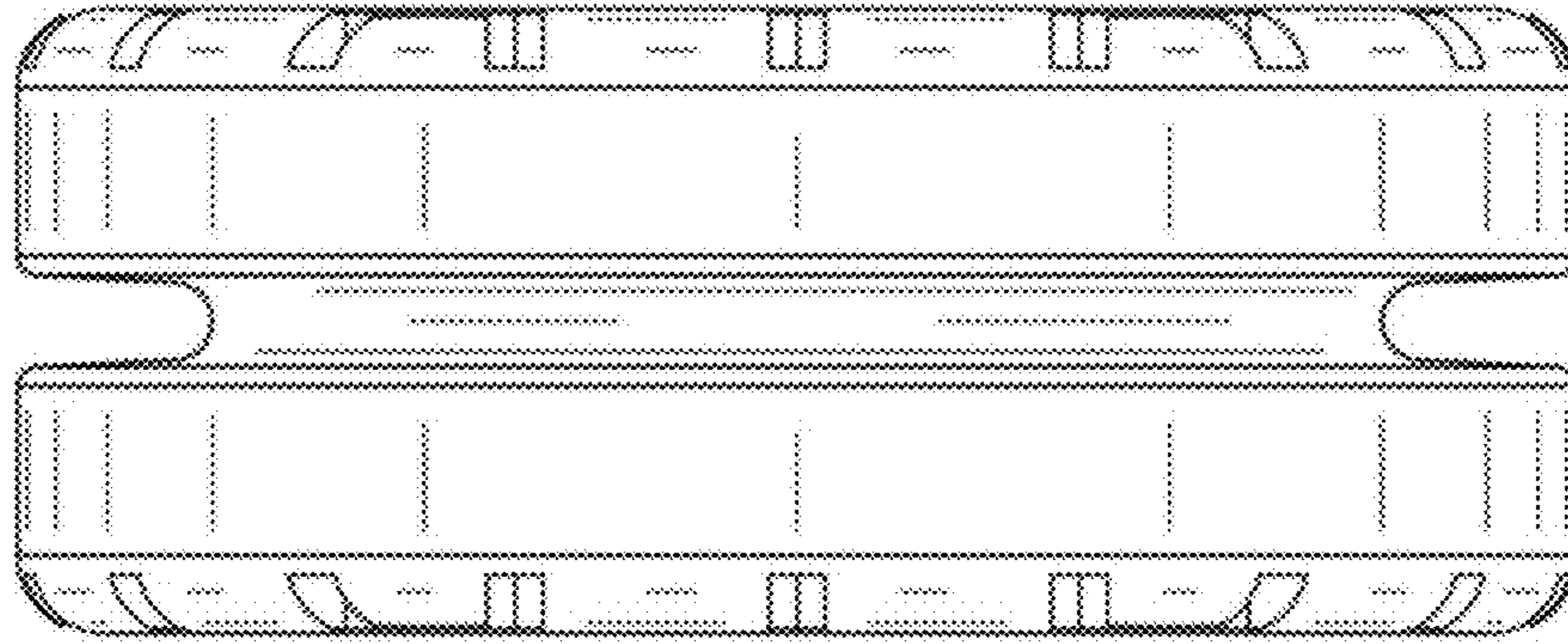


FIG. 5

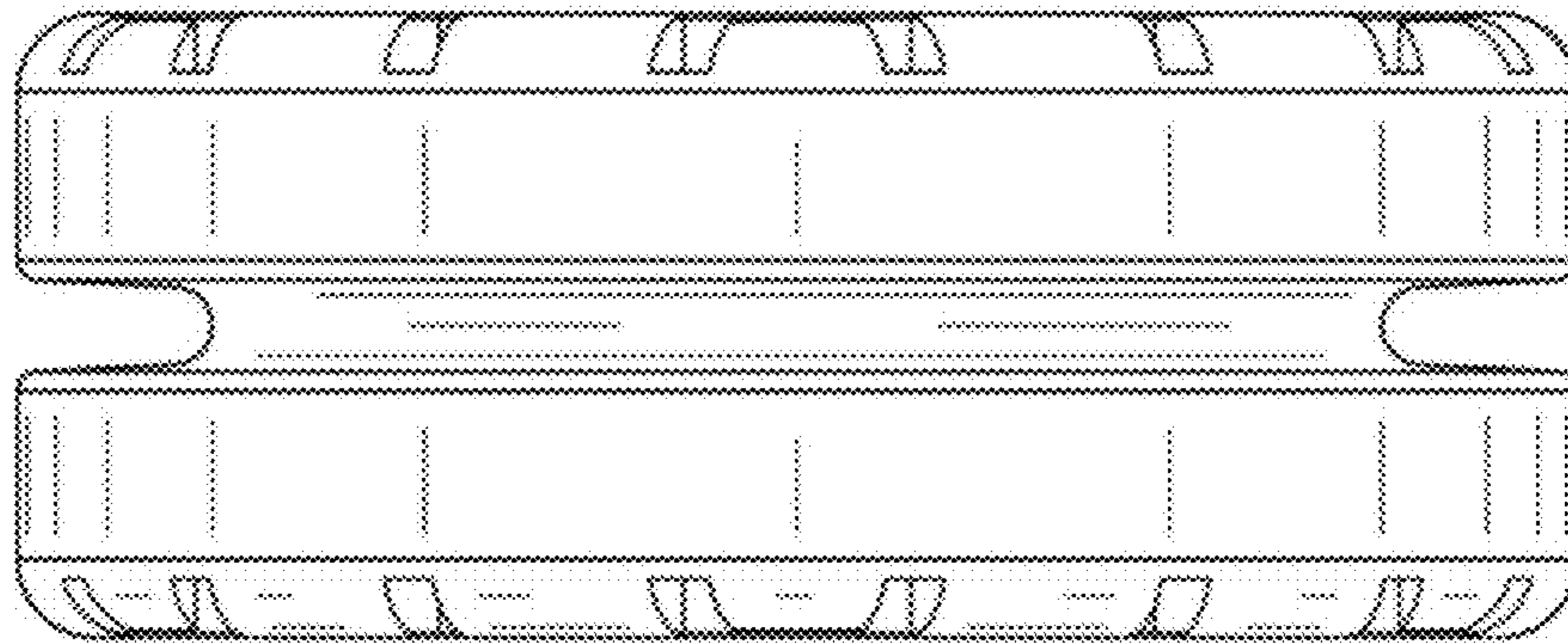


FIG. 6