



US00D840205S

(12) **United States Design Patent**
Delaney

(10) **Patent No.:** **US D840,205 S**

(45) **Date of Patent:** **** Feb. 12, 2019**

(54) **POWER TOOL ATTACHMENT SAW**

(71) Applicant: **D2 Management, LLC**, East Norriton, PA (US)

(72) Inventor: **Keith J. Delaney**, East Norriton, PA (US)

(73) Assignee: **D2 Management, LLC**, East Norriton, PA (US)

(**) Term: **15 Years**

(21) Appl. No.: **29/611,835**

(22) Filed: **Jul. 26, 2017**

(51) **LOC (11) Cl.** **08-05**

(52) **U.S. Cl.**
USPC **D8/70**; D8/61; D15/139

(58) **Field of Classification Search**
USPC D8/61, 64, 67, 70, 107; D15/138, 139, D15/140; D10/64
CPC B23D 45/003; B23D 49/11; B23D 49/003; B23D 61/18; B23D 61/006
See application file for complete search history.

(56) **References Cited**

U.S. PATENT DOCUMENTS

803,368	A *	10/1905	Smith	B27F 5/12
					144/81
3,503,294	A *	3/1970	Henigan	B23D 49/00
					125/18
5,048,190	A *	9/1991	Aurness	B23D 49/006
					30/299
5,797,189	A *	8/1998	Gilbert	B23D 49/003
					144/363
5,860,218	A *	1/1999	Vinciguerra	B23D 49/003
					30/392
5,867,913	A *	2/1999	Pettigrew	B23D 49/003
					144/363
D438,219	S *	2/2001	Brutscher	D15/139
D588,175	S *	3/2009	Morton	D15/139

D697,384	S *	1/2014	Wackwitz	D15/140
D706,845	S *	6/2014	Richter	D15/139
D708,650	S *	7/2014	Richter	D15/139
9,027,452	B2	5/2015	Nagy et al.		
D734,649	S *	7/2015	Wackwitz	D8/70
D741,137	S *	10/2015	Yang	D8/70
9,358,623	B2 *	6/2016	Burks	B23D 49/11
D789,428	S *	6/2017	Novak	D15/139
D790,941	S *	7/2017	Turner	D8/61
D790,942	S *	7/2017	Turner	D8/61
9,737,941	B2 *	8/2017	Turner	B23D 49/11

(Continued)

OTHER PUBLICATIONS

QBit SQ1000-S Power Oscillating Multi-Tool Saw Blade/Box Saw for Single Gang Outlet Box, downloaded from Amazon.com, dated Oct. 23, 2017, 3 pages.

Primary Examiner — Darlington Ly

(74) *Attorney, Agent, or Firm* — Barley Snyder

(57) **CLAIM**

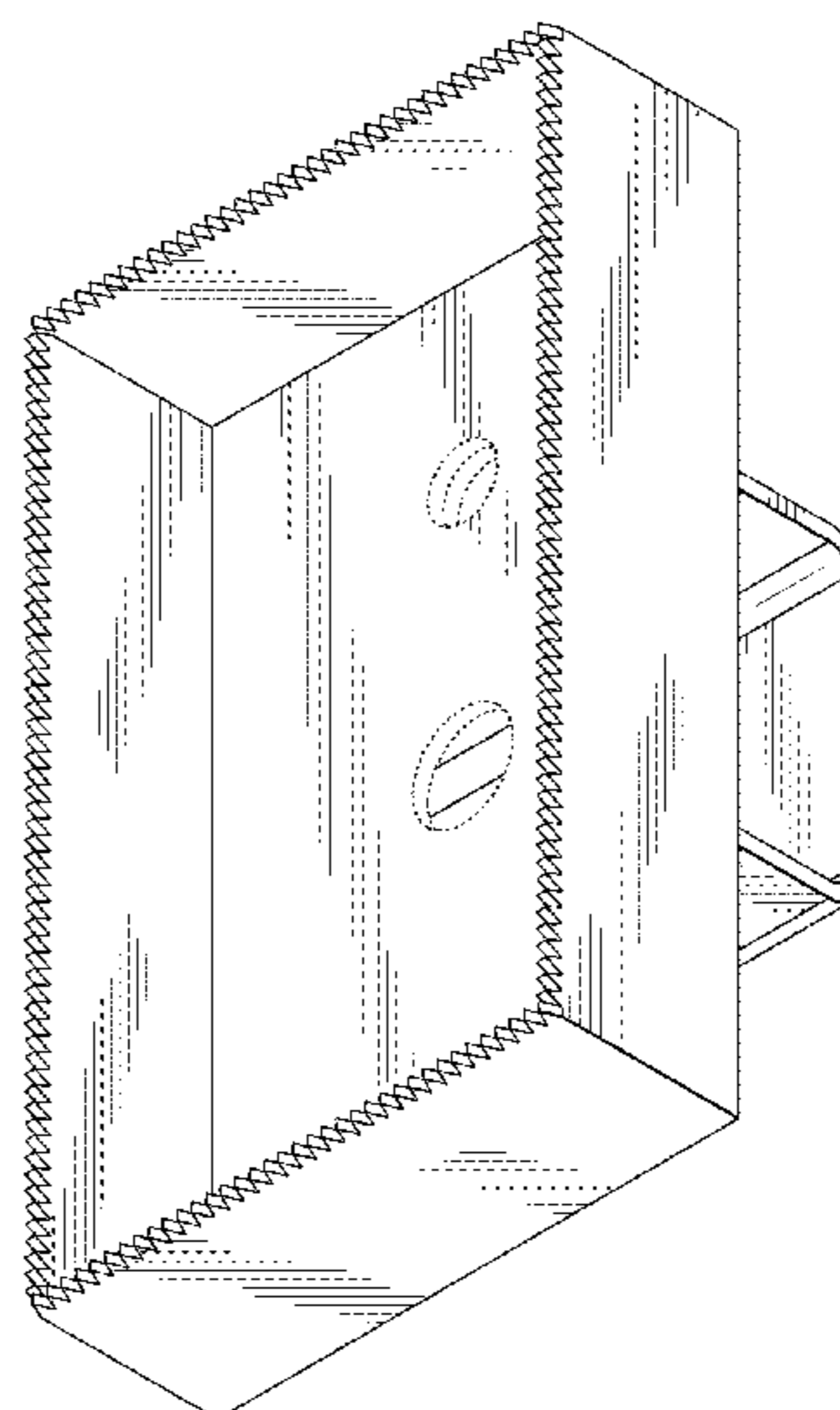
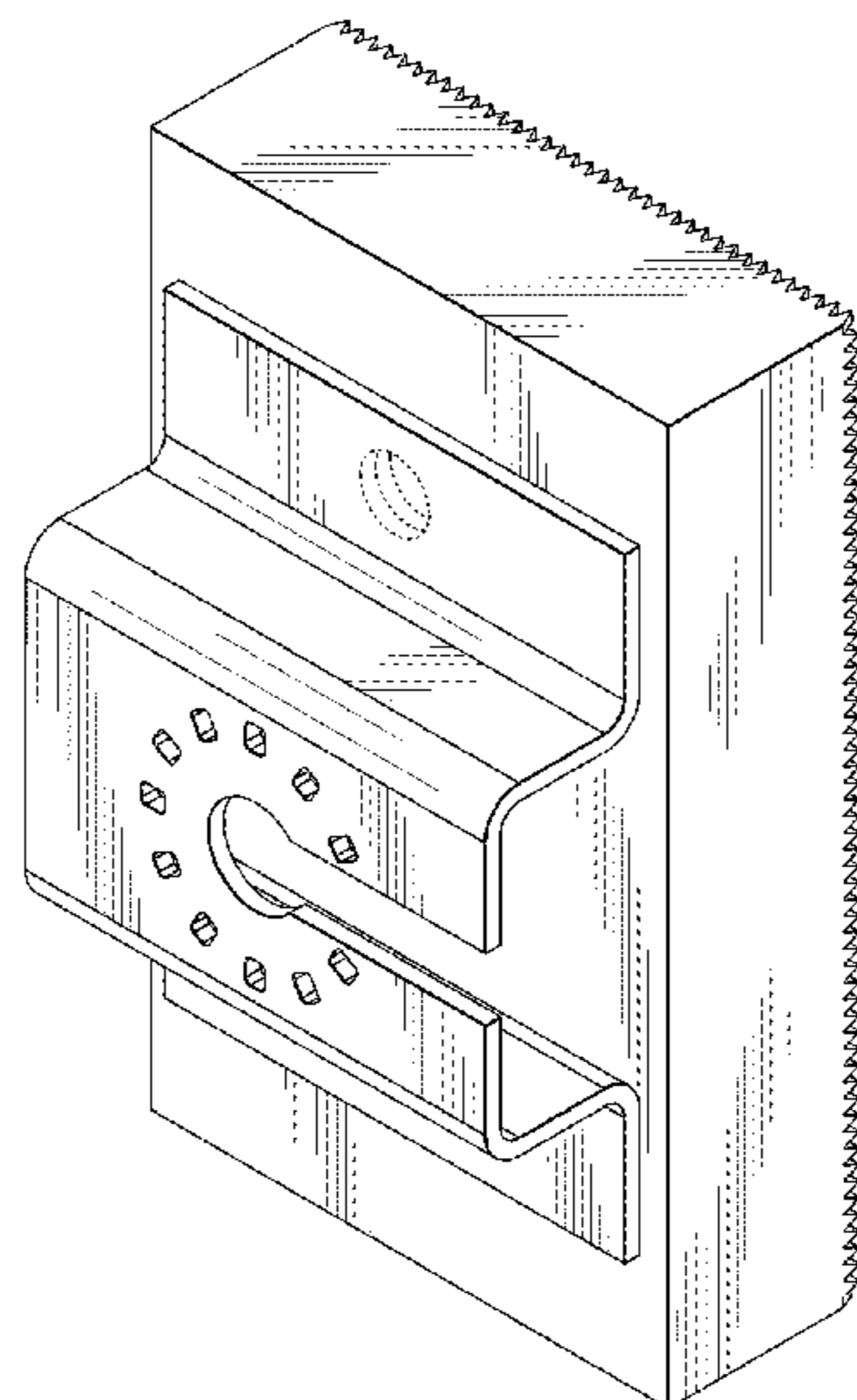
The ornamental design for a power tool attachment saw, as shown and described.

DESCRIPTION

FIG. 1 is a top, front and right side perspective view of a power tool attachment saw, showing the new design; FIG. 2 is a top plan view thereof; FIG. 3 is a front elevation view thereof; FIG. 4 is a left side elevation view thereof; FIG. 5 is a right side elevation view thereof; FIG. 6 is a rear elevation view thereof; FIG. 7 is a bottom plan view thereof; and, FIG. 8 is a bottom, rear, and left side perspective view thereof.

The broken lines in the drawings illustrate portions of the power tool attachment saw that form no part of the claimed design.

1 Claim, 5 Drawing Sheets



(56)

References Cited

U.S. PATENT DOCUMENTS

2008/0149360 A1* 6/2008 Dinh H02G 1/00
174/58
2014/0224091 A1* 8/2014 Sebhatu B23D 49/003
83/620
2014/0338513 A1* 11/2014 Burks B23D 49/003
83/745
2015/0165633 A1 6/2015 Padget
2016/0082605 A1 3/2016 Marks
2017/0001252 A1* 1/2017 Caroprese B23D 49/11

* cited by examiner

FIG. 1

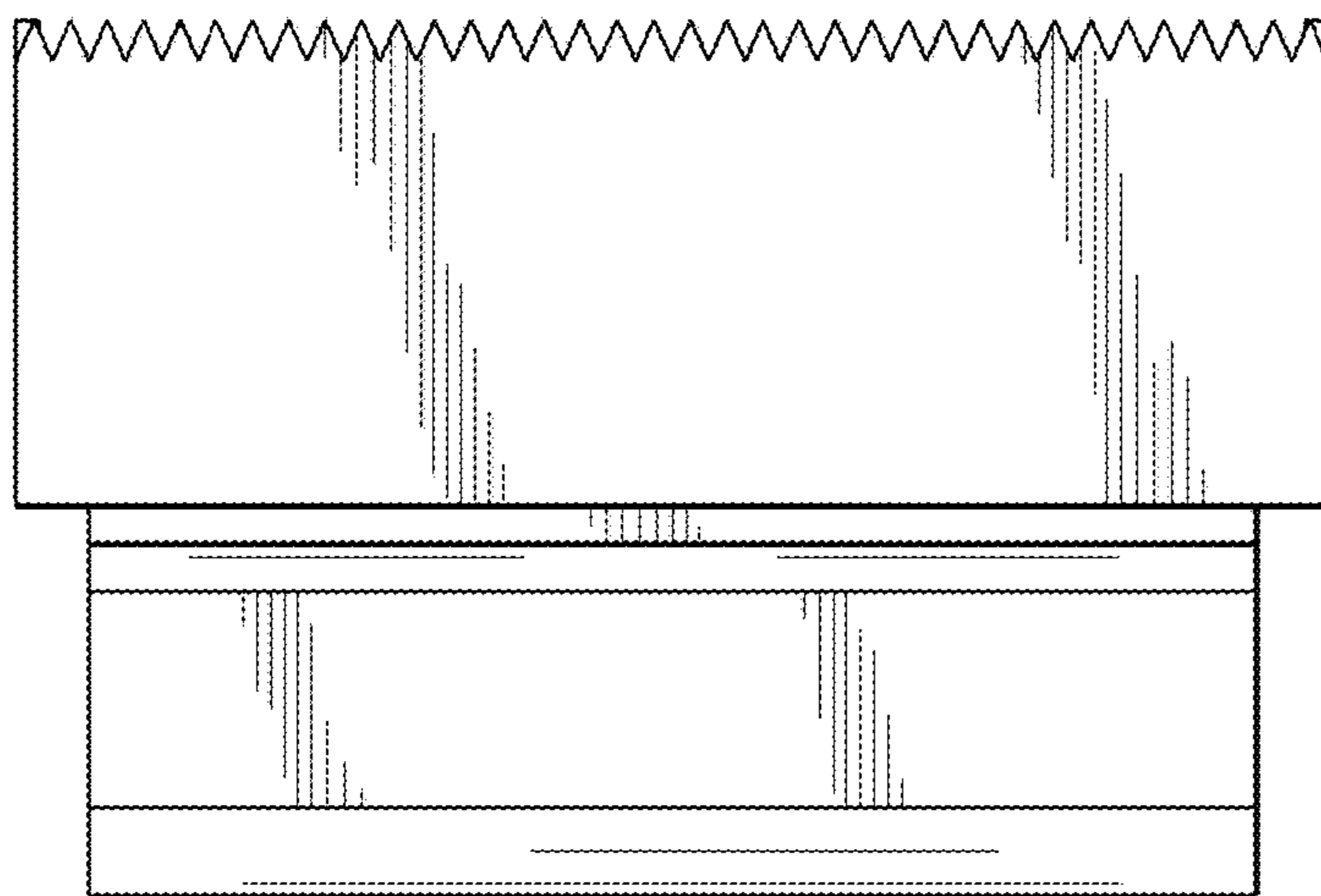
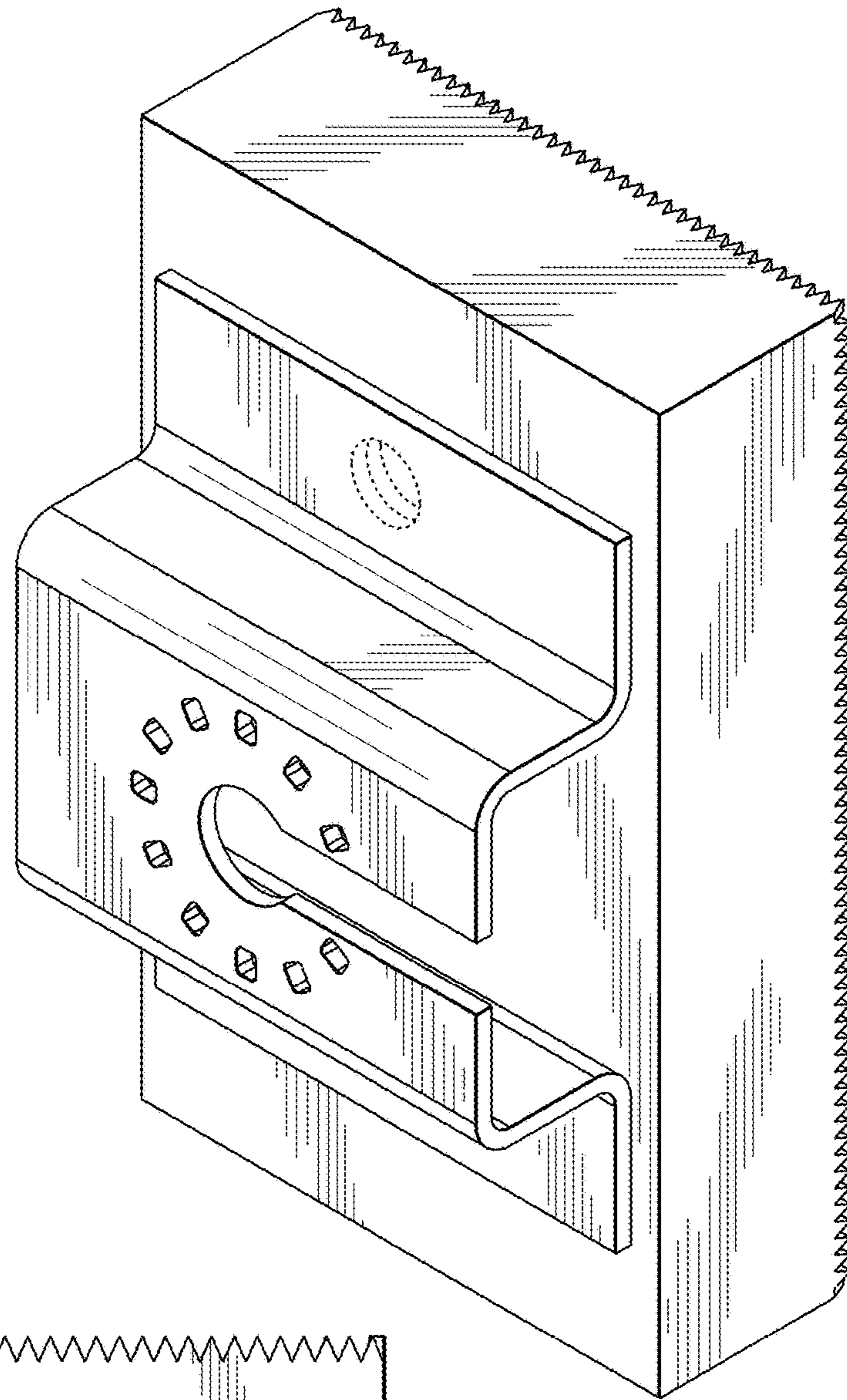


FIG. 2

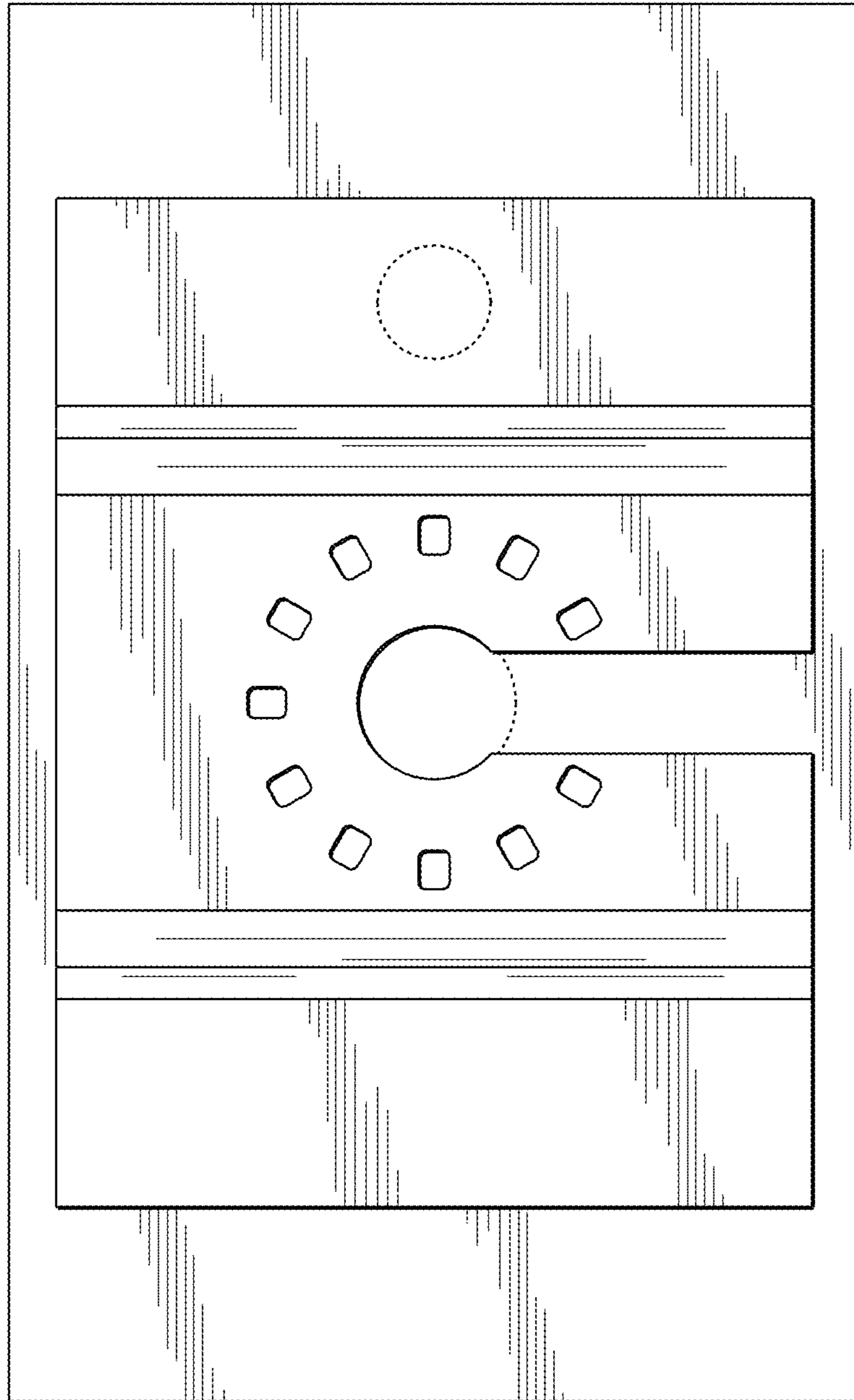


FIG. 3

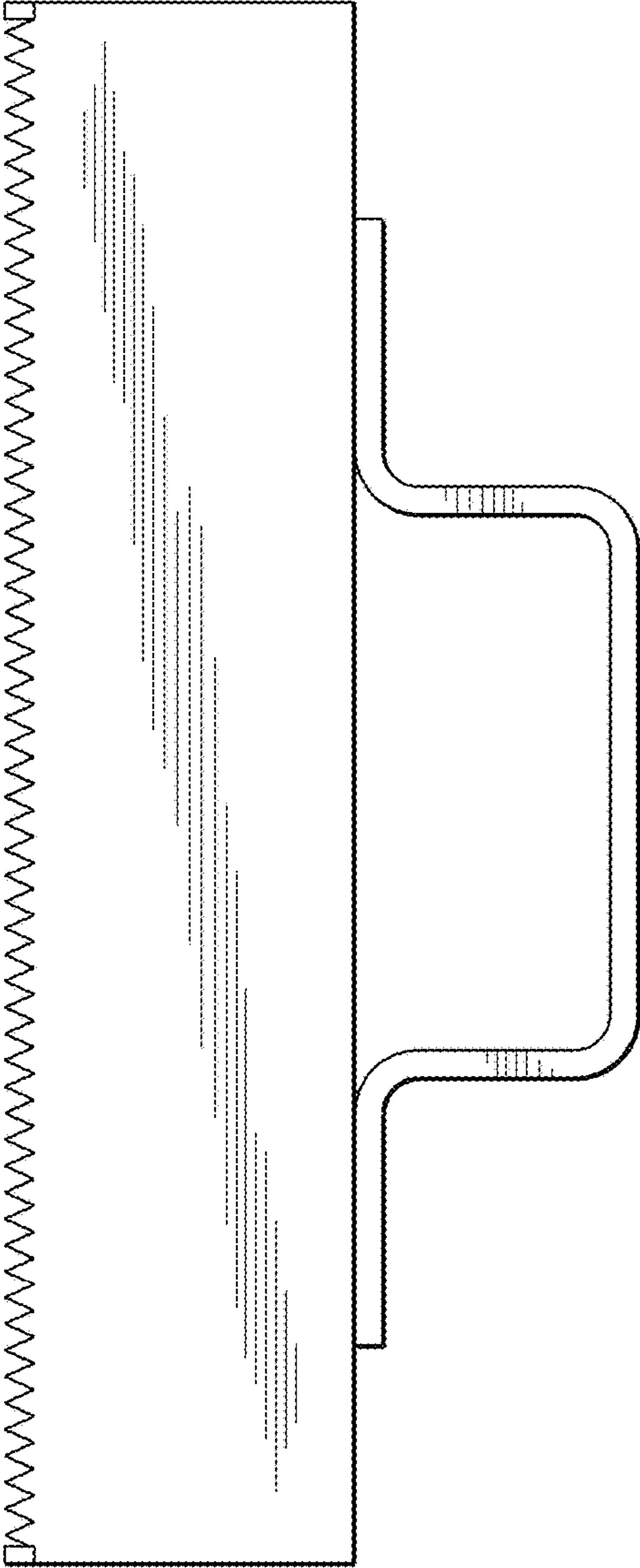


FIG. 4

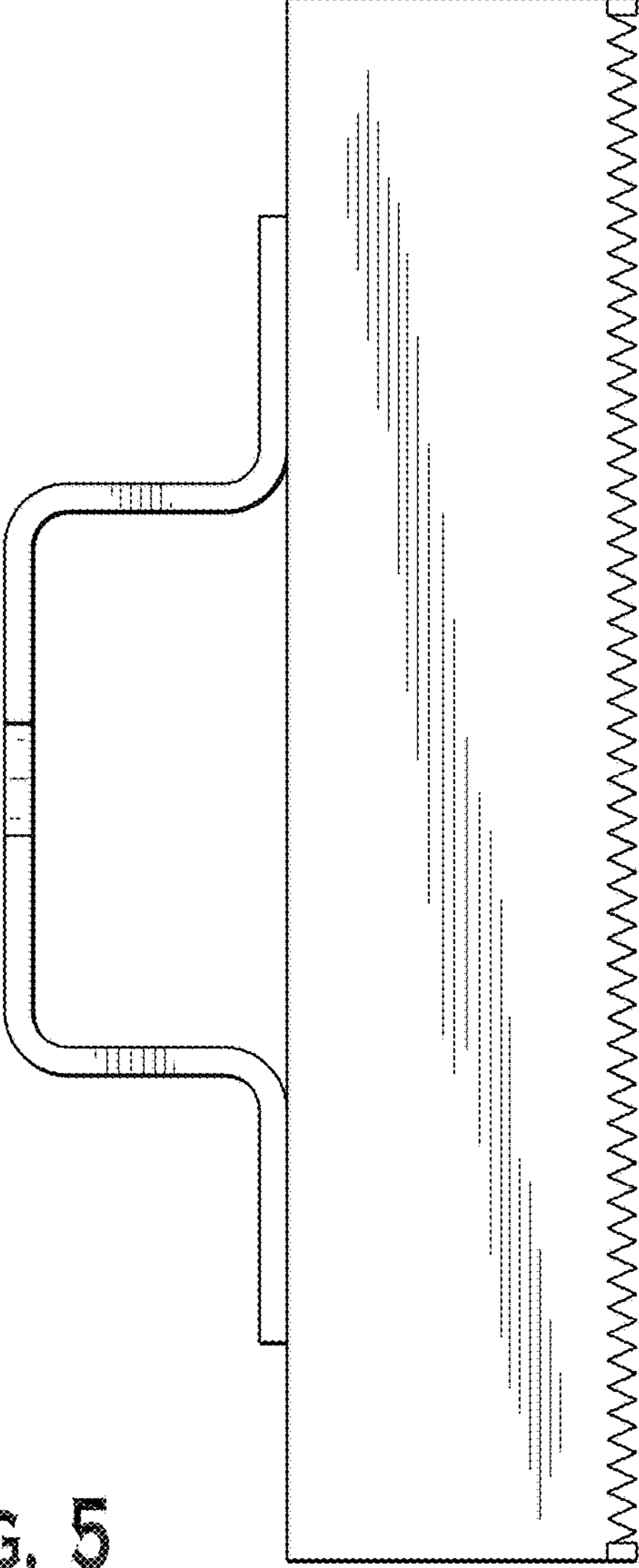


FIG. 5

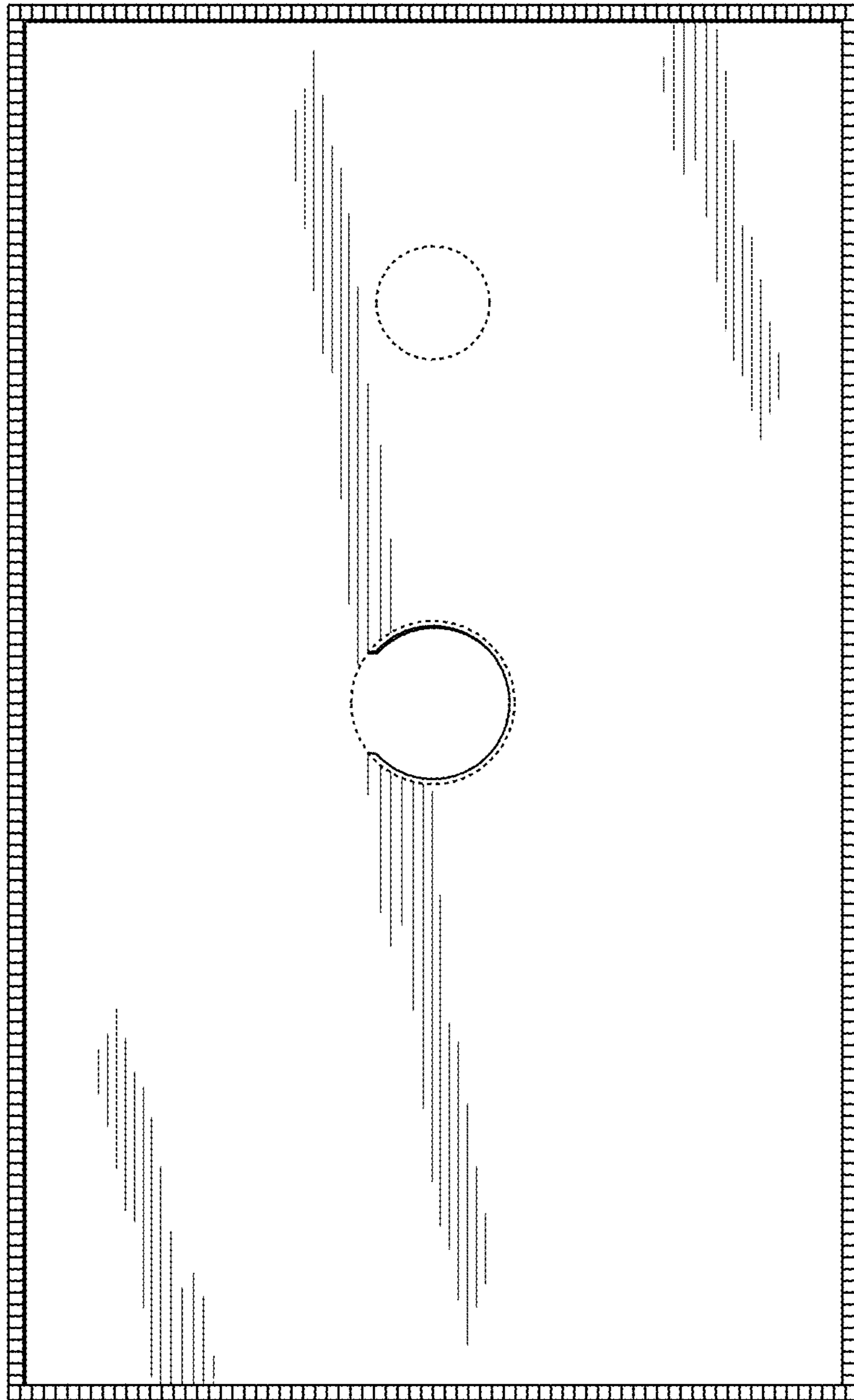


FIG. 6

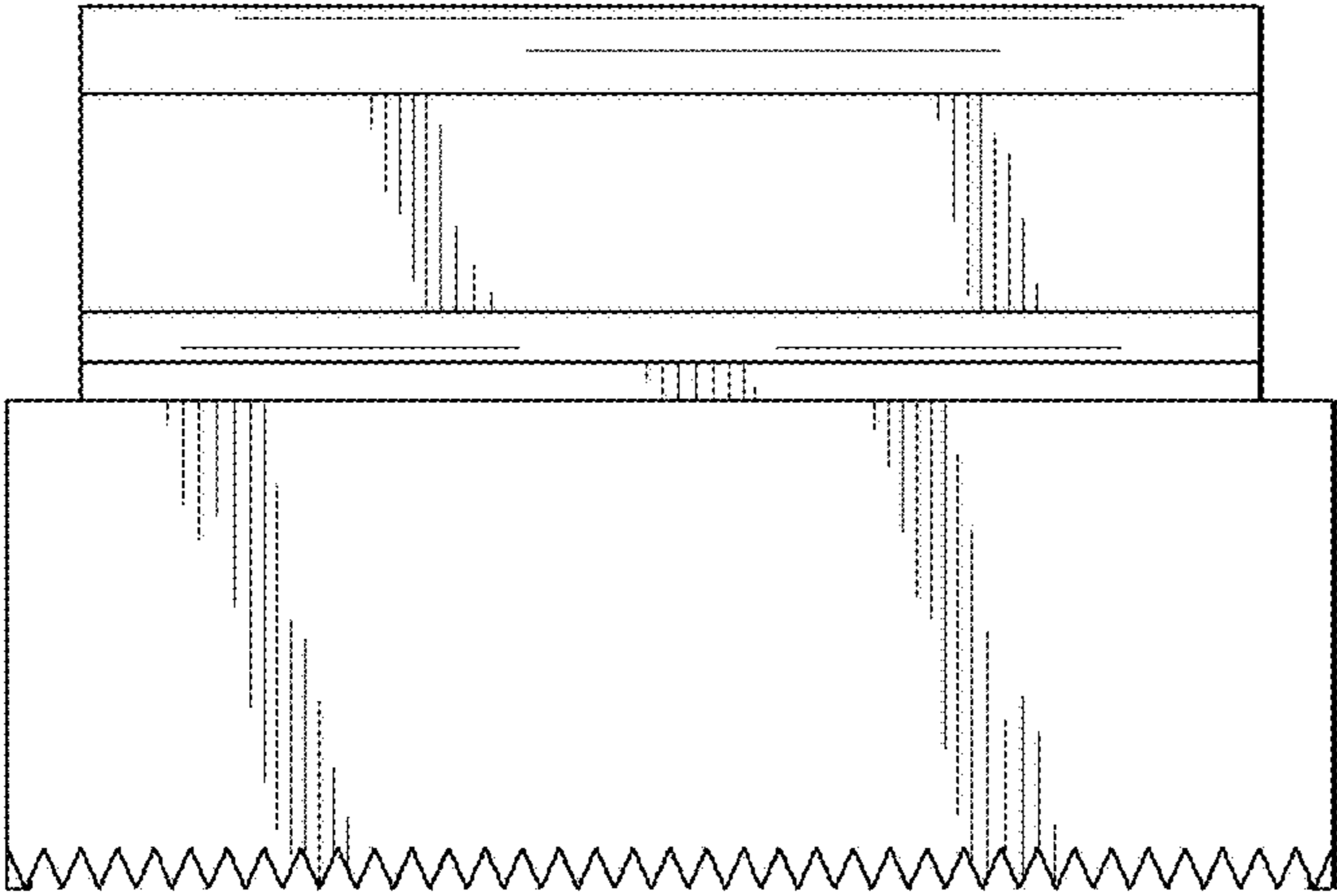


FIG. 7

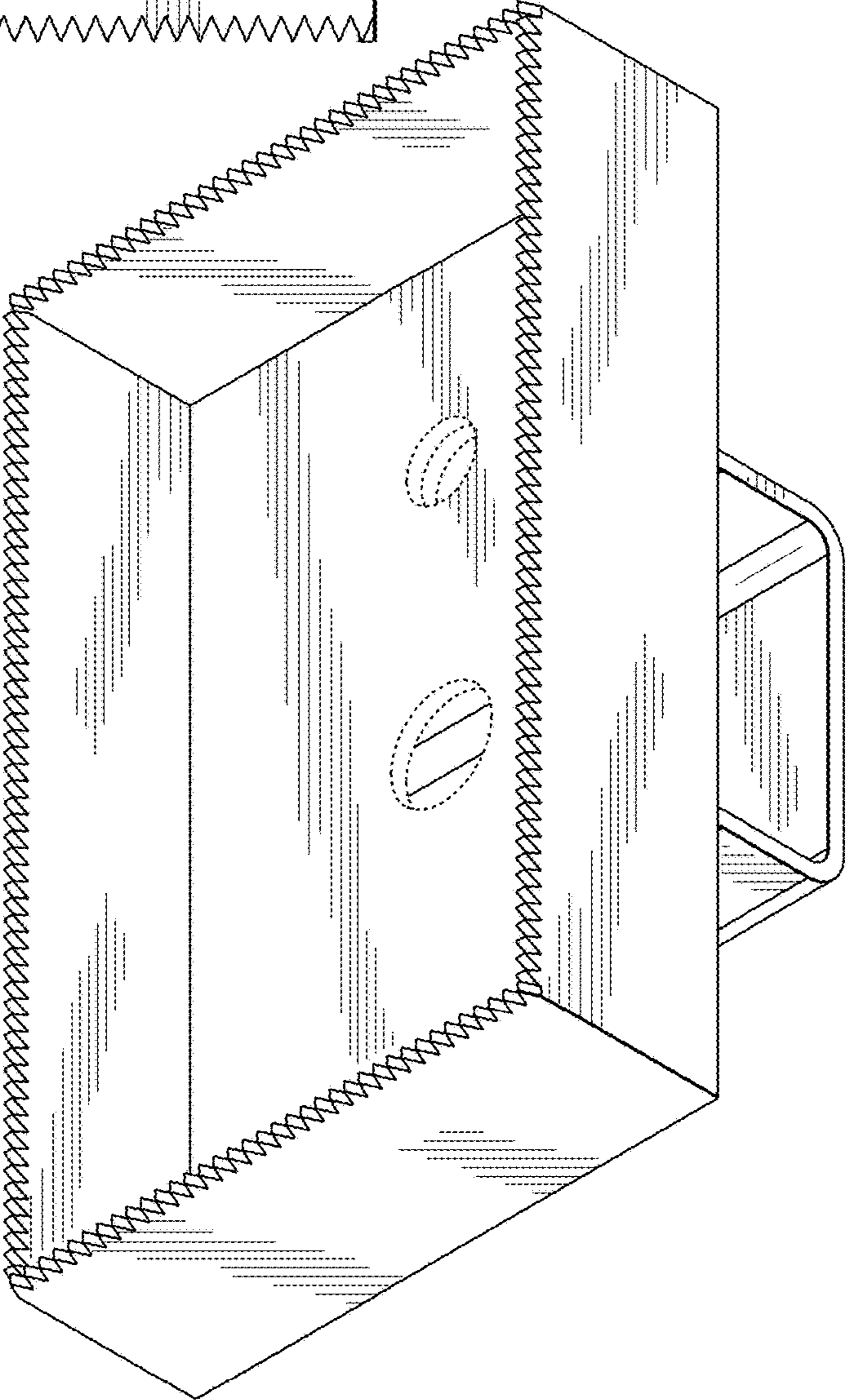


FIG. 8