

US00D840204S

(12) **United States Design Patent**  
**Sanders**

(10) **Patent No.:** **US D840,204 S**

(45) **Date of Patent:** **\*\* Feb. 12, 2019**

- (54) **HANDLE**
- (71) Applicant: **Joseph Joseph Ltd.**, London (GB)
- (72) Inventor: **Mark Sanders**, Poole (GB)
- (73) Assignee: **JOSEPH JOSEPH LTD.**, London (GB)
- (\*\*) Term: **15 Years**
- (21) Appl. No.: **29/603,483**
- (22) Filed: **May 10, 2017**
- (30) **Foreign Application Priority Data**  
Nov. 28, 2016 (EM) ..... 003490242-0005
- (51) **LOC (11) Cl.** ..... **07-99**
- (52) **U.S. Cl.**  
USPC ..... **D8/41**
- (58) **Field of Classification Search**  
USPC ..... D8/18, 33-43, 105, 107, 307  
CPC .... B67B 7/00; B67B 7/14; B67B 7/16; B67B 7/18; B67B 7/30; B67B 7/32; B67B 7/34; B67B 7/38  
See application file for complete search history.

- (56) **References Cited**  
U.S. PATENT DOCUMENTS  
422,526 A \* 3/1890 Heinig ..... B67B 7/18 81/3.44  
913,336 A \* 2/1909 Westerbeck ..... B67B 7/18 81/3.44  
2,582,947 A \* 1/1952 Burnard ..... B67B 7/14 81/3.08  
2,606,465 A \* 8/1952 Downs ..... B67B 7/18 81/3.44  
2,747,273 A \* 5/1956 Olsson ..... B26B 21/446 222/211

- 2,759,381 A \* 8/1956 Villnave ..... B67B 7/14 81/3.08
- D185,695 S \* 7/1959 Blumberg ..... D8/33
- D222,659 S \* 11/1971 Hillis ..... D8/40
- D269,151 S \* 5/1983 Schulein ..... D8/39
- D282,343 S \* 1/1986 Pinder ..... D8/40
- 4,569,653 A \* 2/1986 Becker ..... F23Q 2/32 431/253
- D303,613 S \* 9/1989 Carmody ..... D8/40
- 5,211,669 A \* 5/1993 Bonnes ..... A01B 1/22 16/110.1
- D355,342 S \* 2/1995 Davidson ..... D8/107
- D362,379 S \* 9/1995 Tekaar ..... D8/39
- D370,305 S \* 5/1996 Wonderley ..... D28/48
- D374,740 S \* 10/1996 Seaman ..... D27/142
- D405,332 S \* 2/1999 So ..... D8/39
- D422,193 S \* 4/2000 Walker ..... D8/107
- D436,508 S \* 1/2001 Roberts ..... D8/39
- D474,083 S \* 5/2003 Lo ..... D8/39

(Continued)

*Primary Examiner* — Elizabeth A. Albert  
(74) *Attorney, Agent, or Firm* — Millen, White, Zelano & Branigan, PC

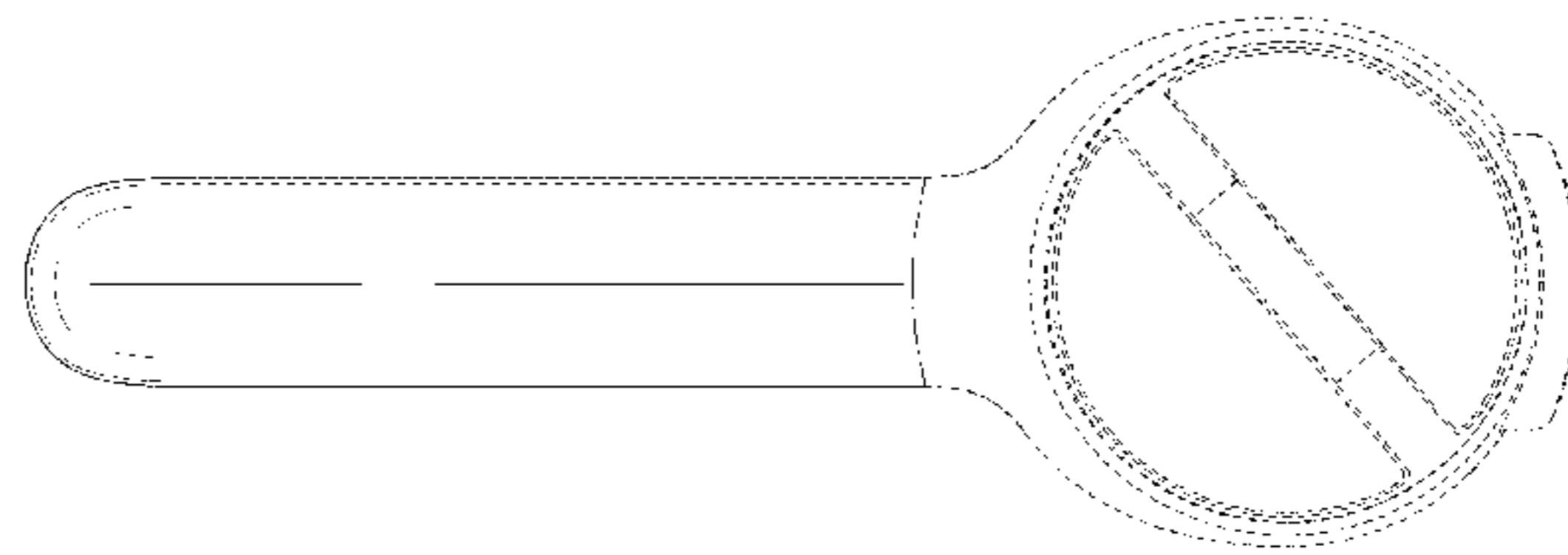
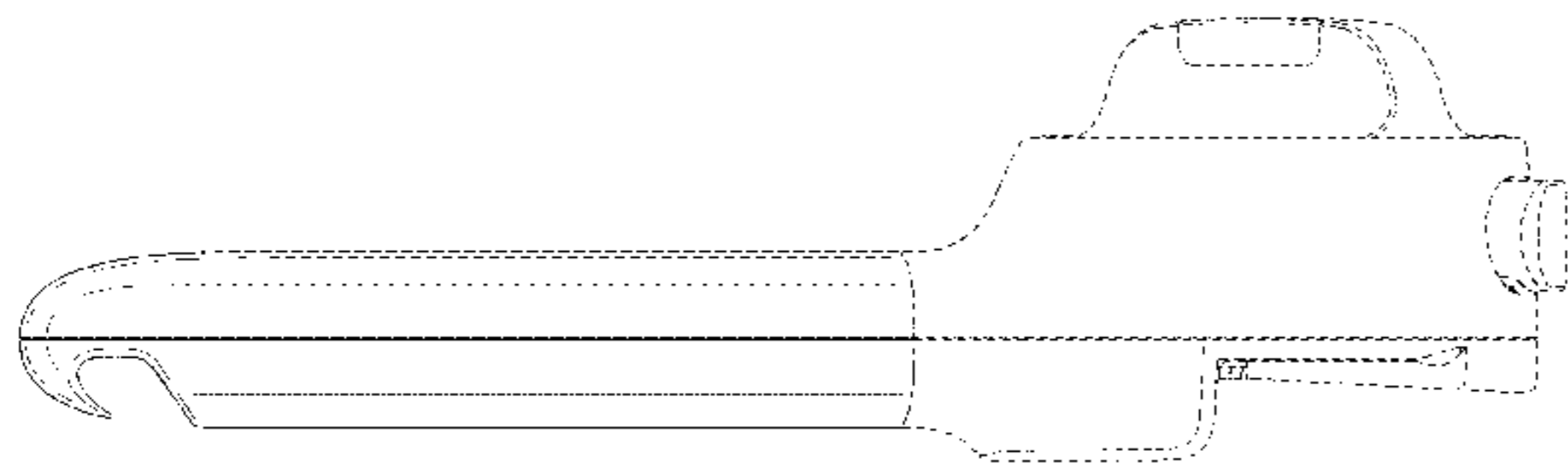
(57) **CLAIM**

The ornamental design for a handle, as shown and described.

**DESCRIPTION**

FIG. 1 is a top perspective view of the handle showing my new design.  
FIG. 2 is a side view thereof.  
FIG. 3 is another side view thereof.  
FIG. 4 is a back view thereof.  
FIG. 5 is a front view thereof.  
FIG. 6 is a top view thereof; and,  
FIG. 7 is a bottom view thereof.  
The evenly spaced broken lines illustrate portions of the design that form no part of the claimed design. The long and short broken lines on the handle define the bounds of the claimed design and form no part thereof.

**1 Claim, 7 Drawing Sheets**



(56)

**References Cited**

U.S. PATENT DOCUMENTS

D488,690 S \* 4/2004 Haas ..... F23Q 2/32  
D27/142  
D676,297 S \* 2/2013 Bigelow ..... D8/38  
D801,132 S \* 10/2017 Hauser ..... D7/694

\* cited by examiner

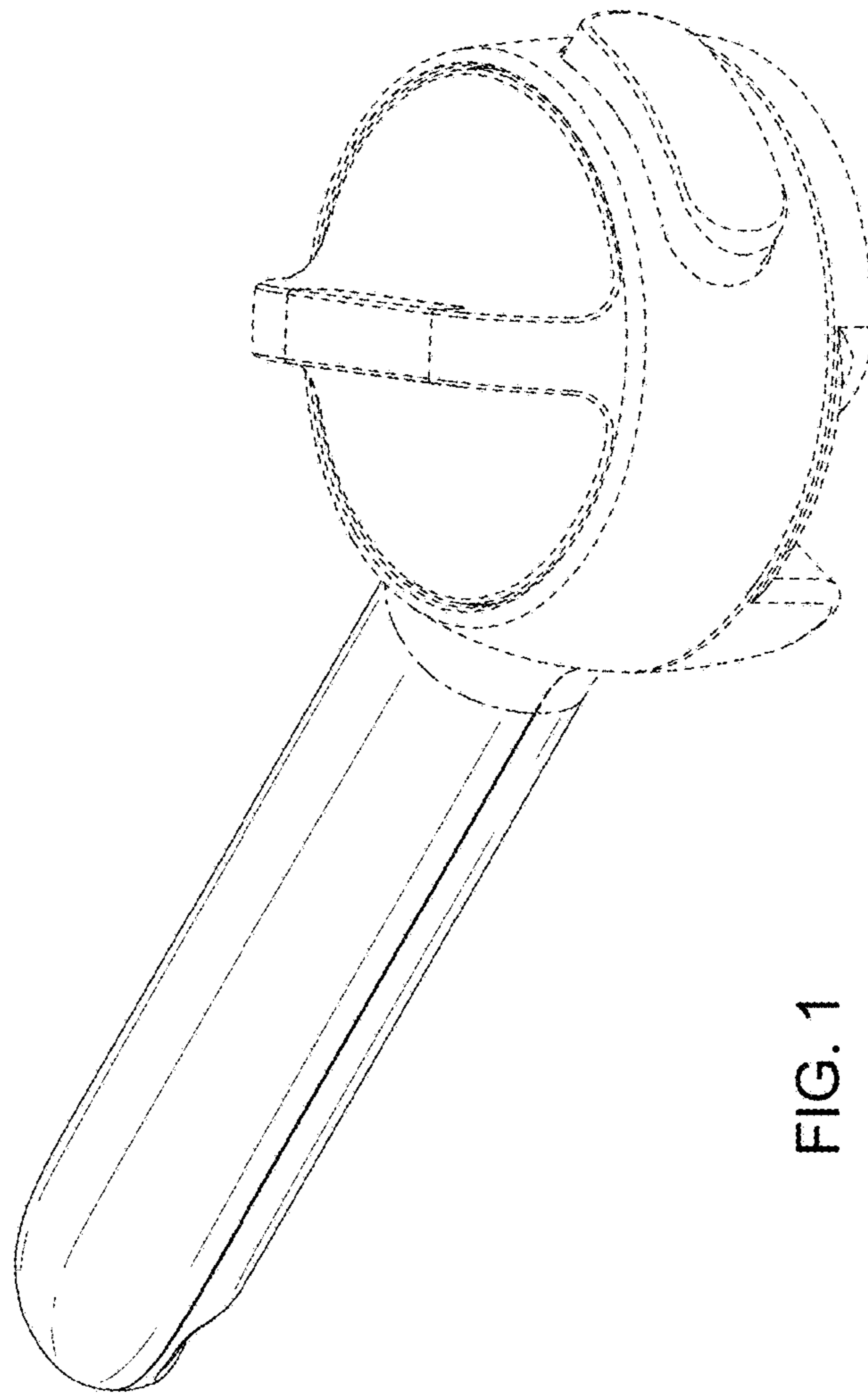


FIG. 1

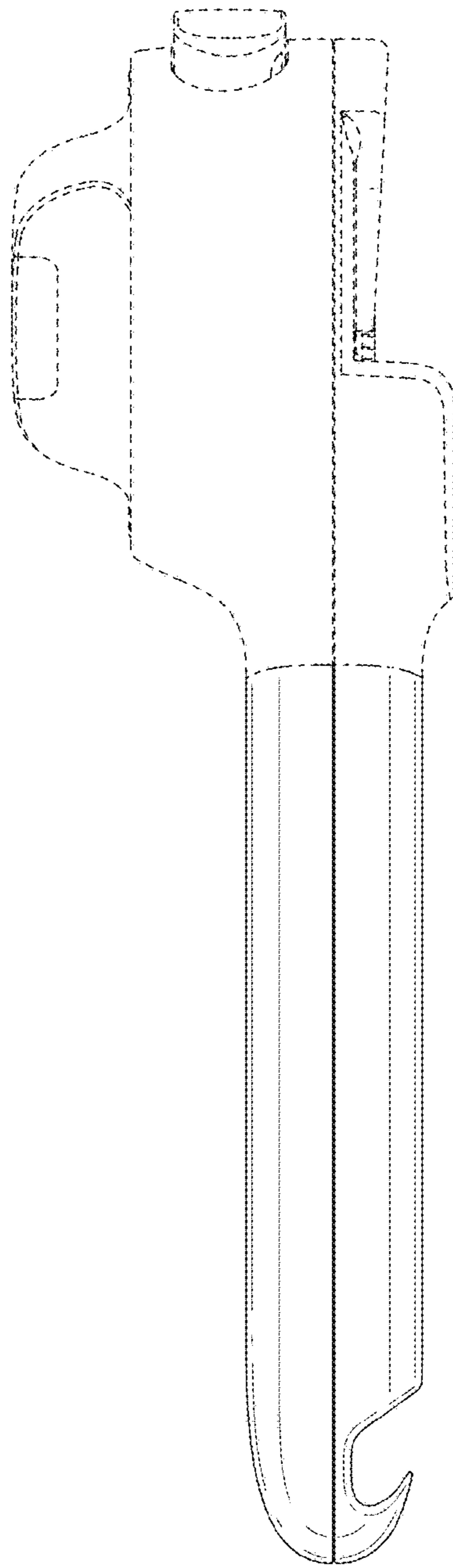


FIG. 2

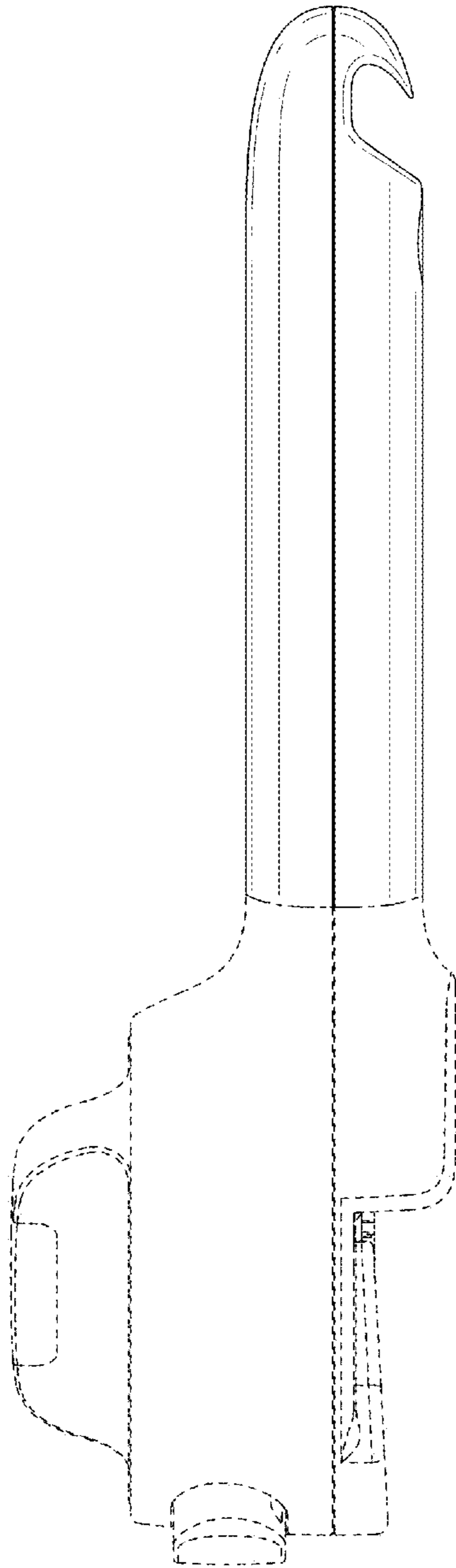


FIG. 3

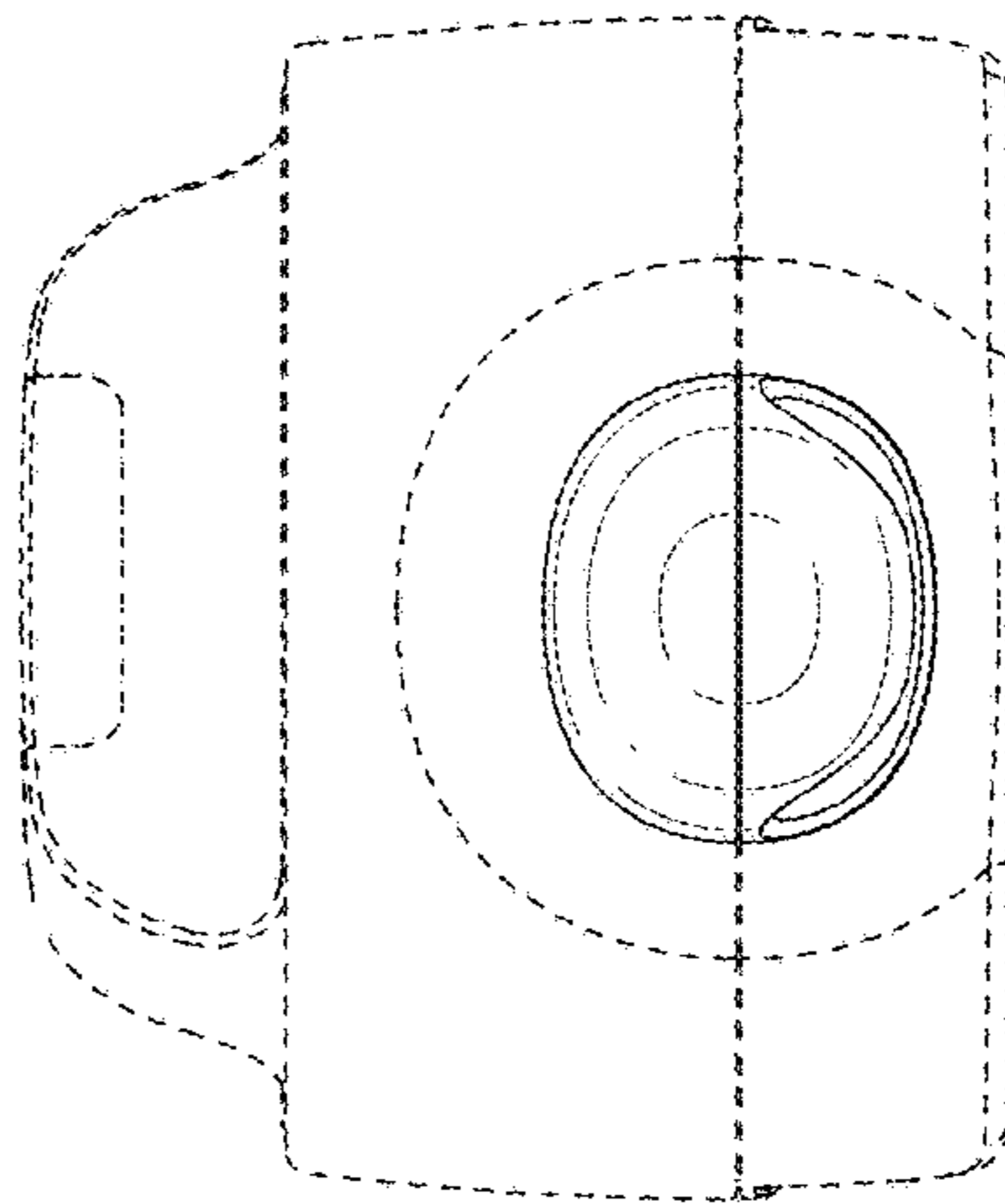


FIG. 4

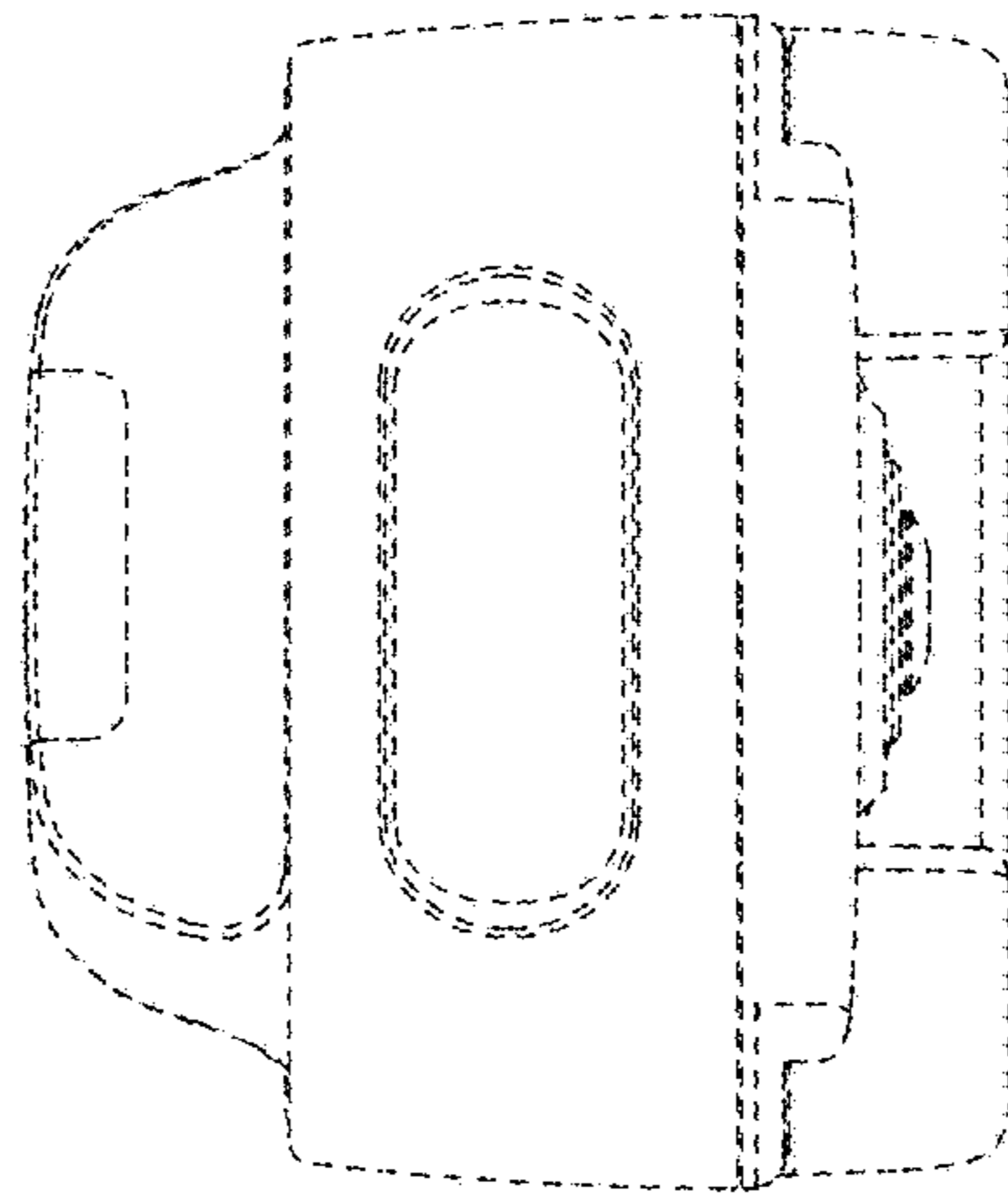


FIG. 5

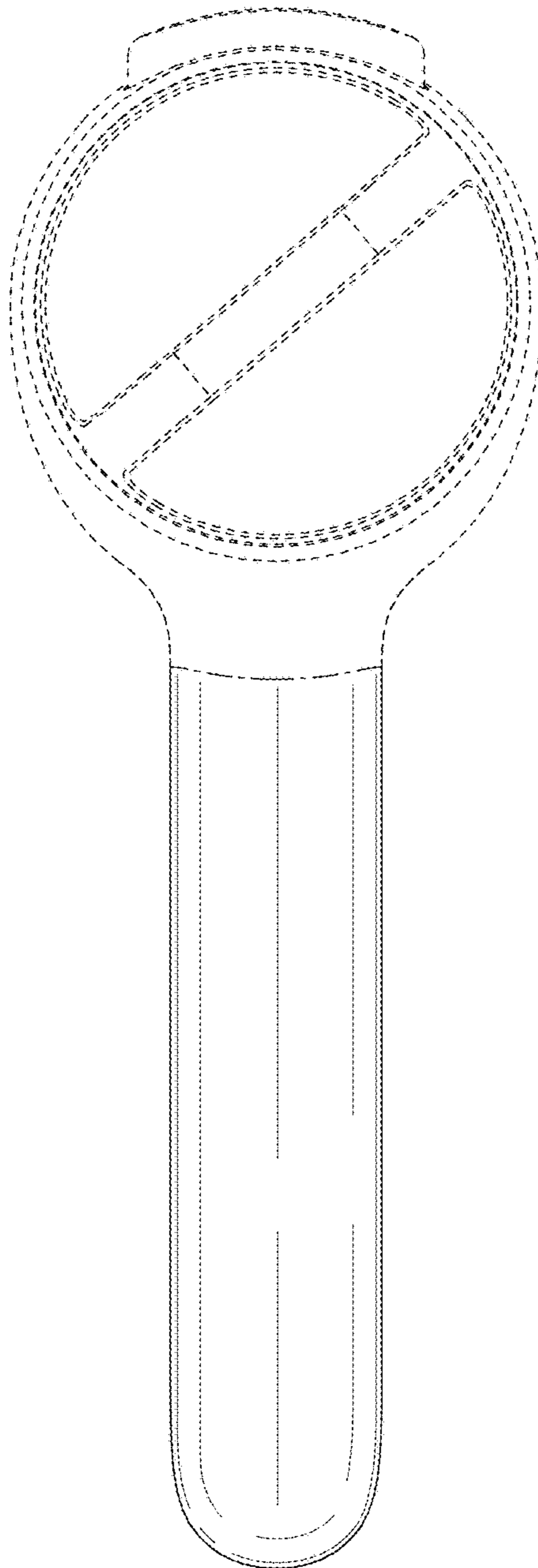


FIG. 6



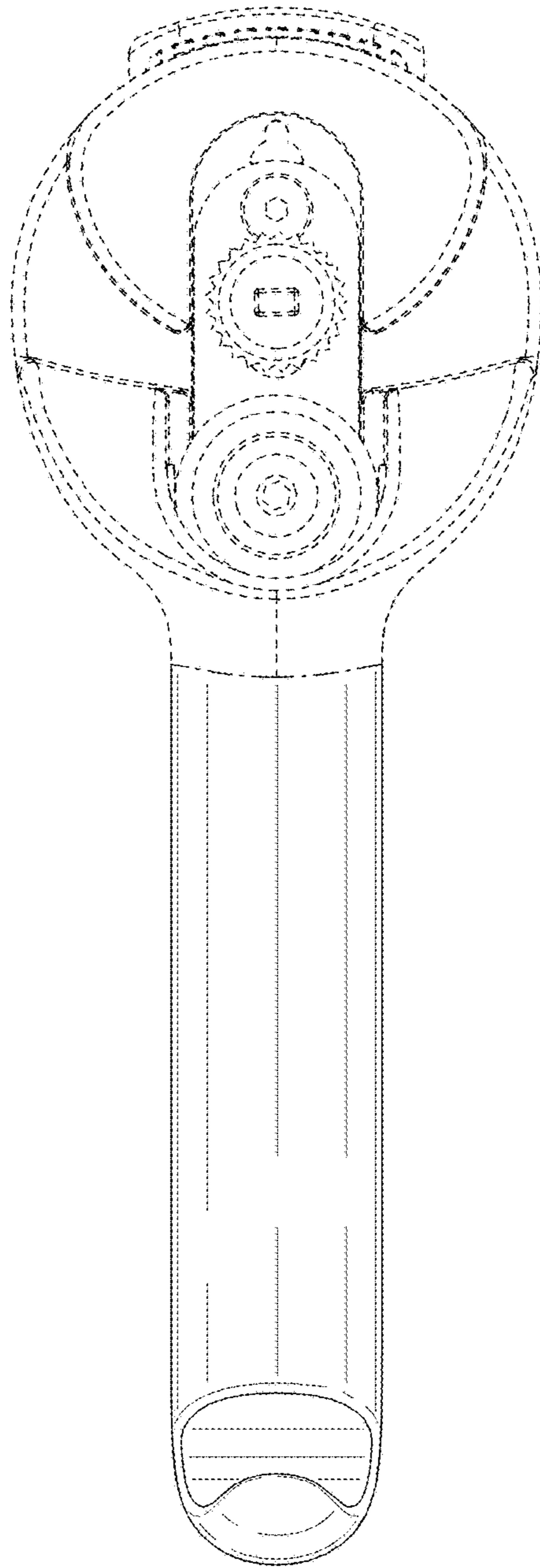


FIG. 7