



US00D840203S

(12) **United States Design Patent** (10) **Patent No.:** **US D840,203 S**  
**Wu** (45) **Date of Patent:** **\*\* Feb. 12, 2019**

- (54) **BOTTLE OPENER**
- (71) Applicant: **Liuning Wu**, Ningbo (CN)
- (72) Inventor: **Liuning Wu**, Ningbo (CN)
- (73) Assignee: **Ningbo Worth International Trade Co., Ltd.**, Ningbo (CN)
- (\*\*) Term: **15 Years**
- (21) Appl. No.: **29/625,699**
- (22) Filed: **Nov. 12, 2017**
- (51) **LOC (11) Cl.** ..... **07-99**
- (52) **U.S. Cl.**  
USPC ..... **D8/34**
- (58) **Field of Classification Search**  
USPC ..... D8/18, 33-43, 105, 107, 356, 367  
CPC .... B67B 7/00; B67B 7/04; B67B 7/06; B67B 7/14; B67B 7/16; B67B 7/18; B67B 7/32; B67B 7/34; B67B 7/38; B67B 7/44  
See application file for complete search history.

D626,393 S *	11/2010	Ormsbee	.....	D8/18
D646,556 S *	10/2011	Kelleghan	.....	D8/356
D686,058 S *	7/2013	Paik	.....	D8/356
D698,626 S *	2/2014	Ormsbee	.....	D8/356
D725,373 S *	3/2015	Jiang	.....	D3/207
D729,513 S *	5/2015	Jiang	.....	D3/207
9,255,602 B2 *	2/2016	Liang	.....	F16B 45/02
D767,975 S *	10/2016	Jiang	.....	D3/207
9,476,446 B2 *	10/2016	Ormsbee	.....	F16B 45/02
D772,029 S *	11/2016	Spater	.....	D8/18
D807,725 S *	1/2018	Chalfant	.....	D8/105
D814,271 S *	4/2018	Berman	.....	D8/356
2009/0000086 A1 *	1/2009	Bing	.....	F16B 45/06
				24/592.11
2016/0153487 A1 *	6/2016	Hollinger	.....	F16B 45/02
				24/376

\* cited by examiner

*Primary Examiner* — Elizabeth A. Albert  
(74) *Attorney, Agent, or Firm* — Thomas I. Rozsa

(57) **CLAIM**

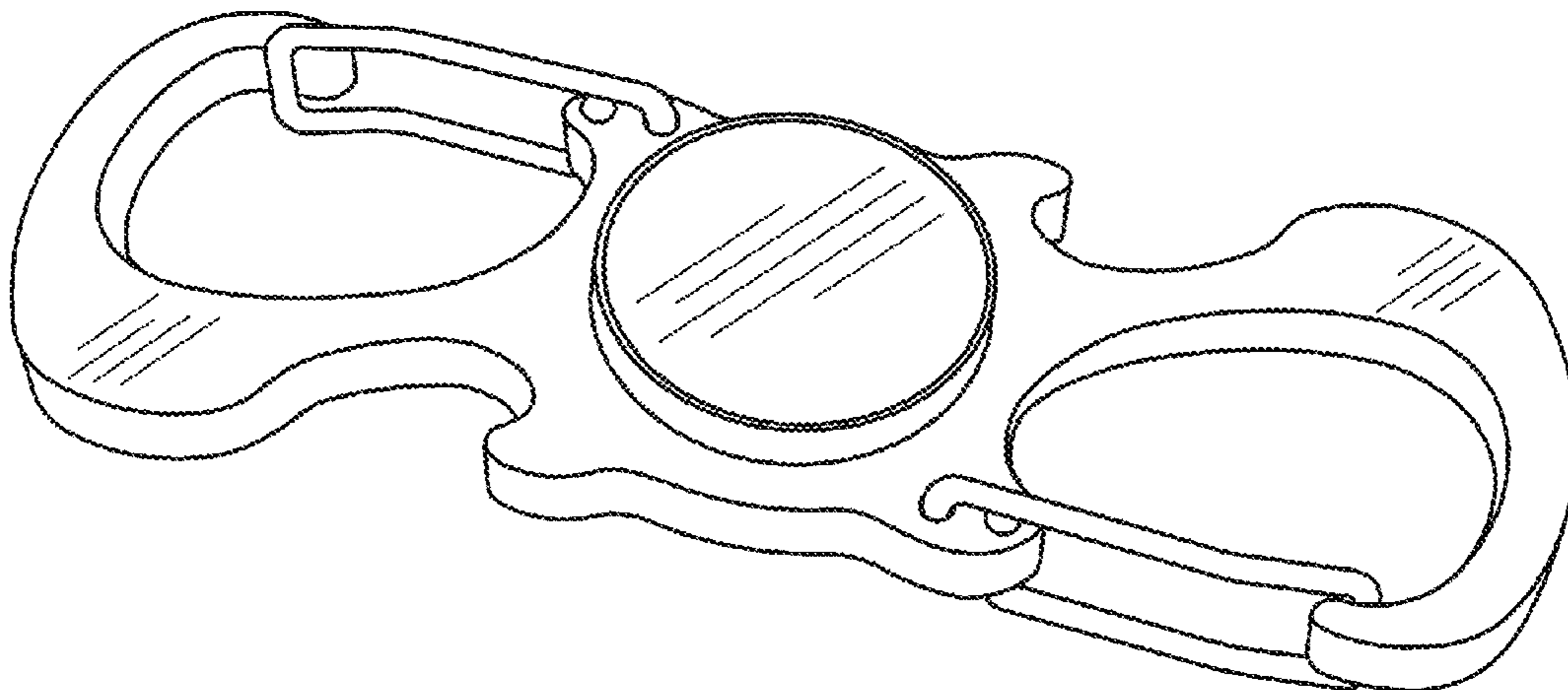
The ornamental design for an bottle opener, as shown and described.

**DESCRIPTION**

FIG. 1 is a front and side perspective view of the bottle opener showing my new design;  
FIG. 2 is a front view thereof;  
FIG. 3 is a back view thereof;  
FIG. 4 is a top view thereof;  
FIG. 5 is a bottom view thereof;  
FIG. 6 is a right side view thereof;  
FIG. 7 is a left side view thereof; and,  
FIG. 8 is a bottom and side perspective view thereof.

**1 Claim, 8 Drawing Sheets**

- (56) **References Cited**  
U.S. PATENT DOCUMENTS
- 1,709,235 A \* 4/1929 Shaffer ..... F16B 45/02  
24/375
- D444,685 S \* 7/2001 Shenkel ..... D3/208
- D478,823 S \* 8/2003 Kelleghan ..... D10/68
- D504,306 S \* 4/2005 Chisolm ..... D8/356
- D553,480 S \* 10/2007 Kelleghan ..... D8/356
- D577,574 S \* 9/2008 Liang ..... D8/356
- D594,738 S \* 6/2009 Kelleghan ..... D8/356
- D607,712 S \* 1/2010 Kelleghan ..... D8/356
- D608,184 S \* 1/2010 Kelleghan ..... D8/356



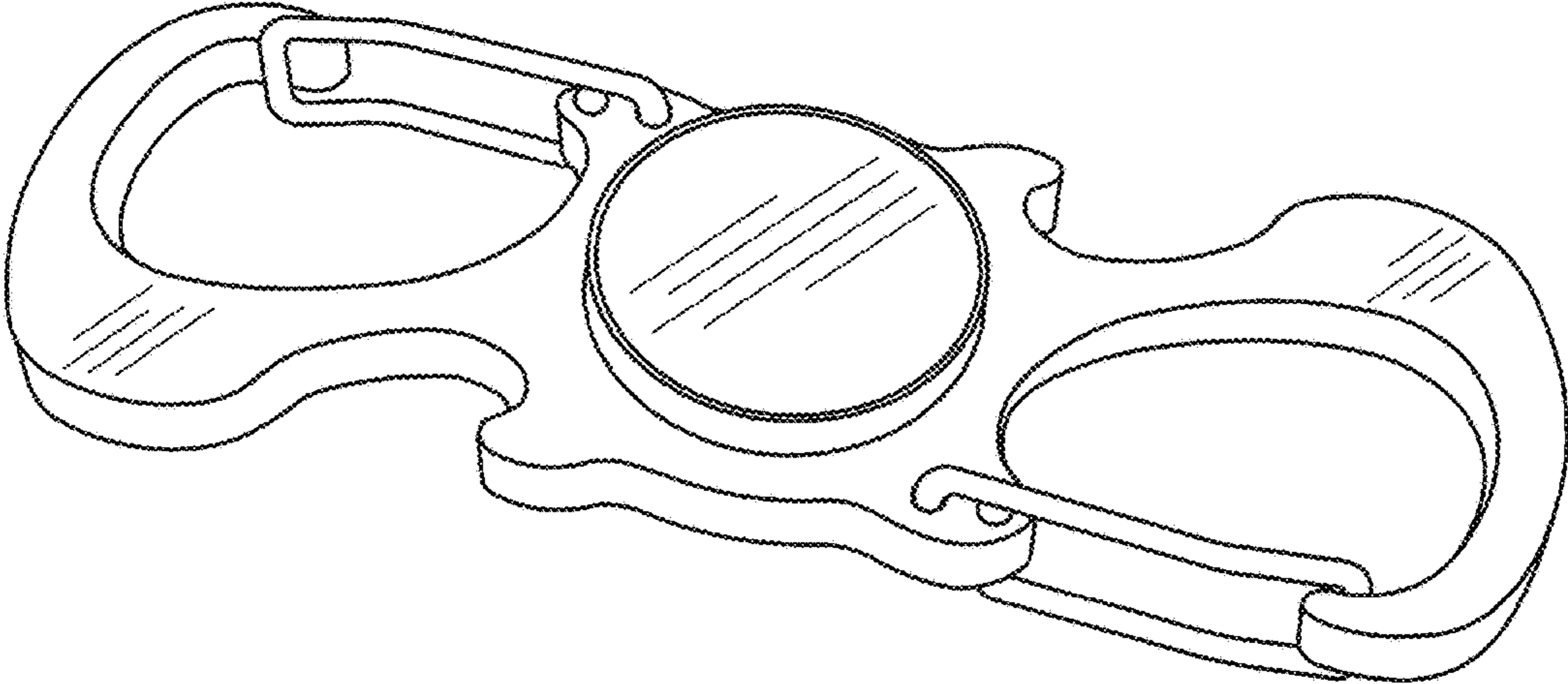


FIG. 1

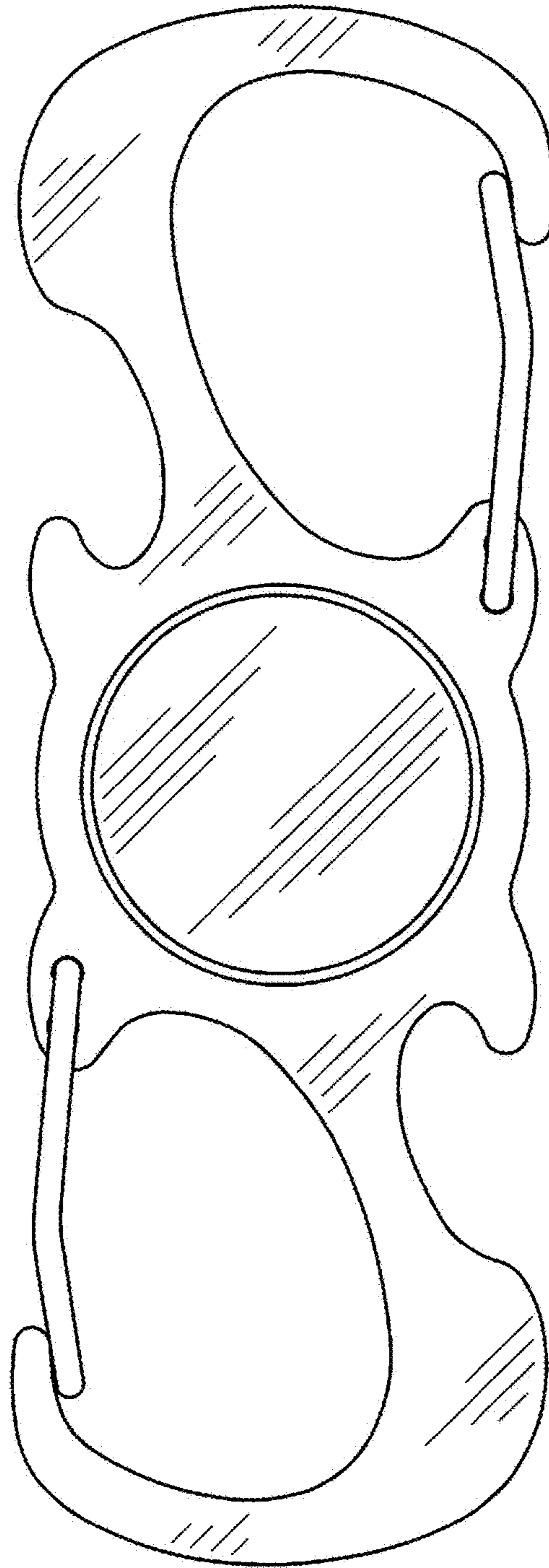


FIG. 2

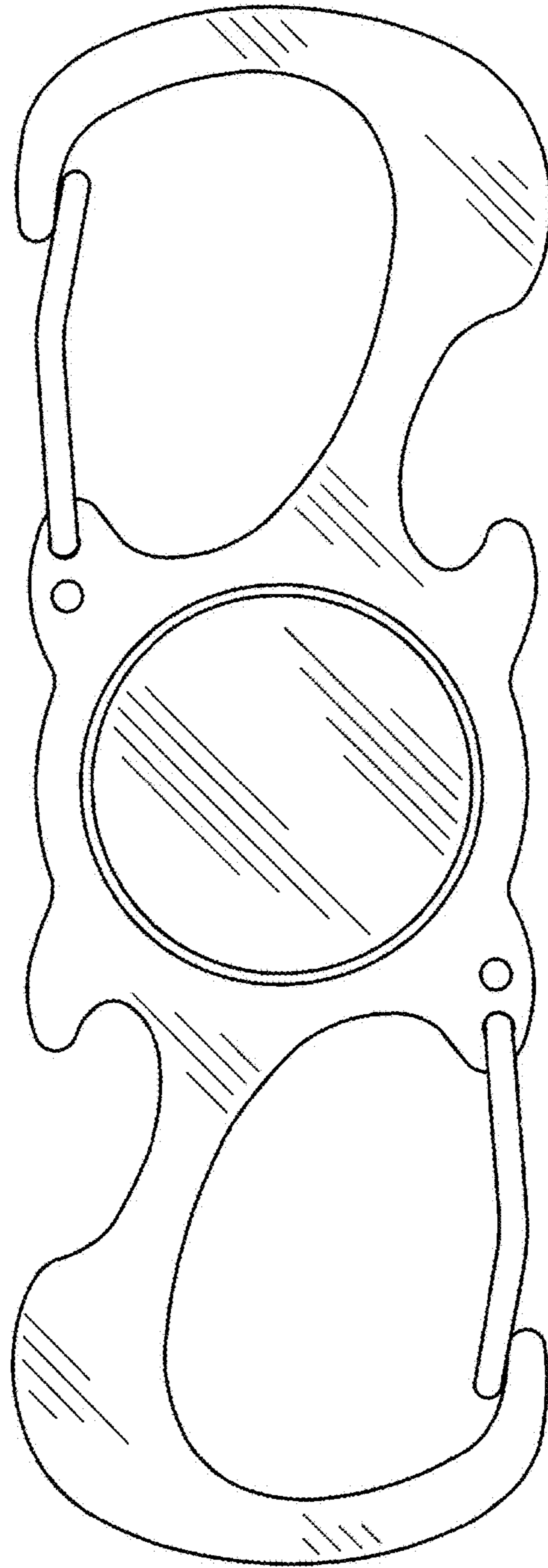
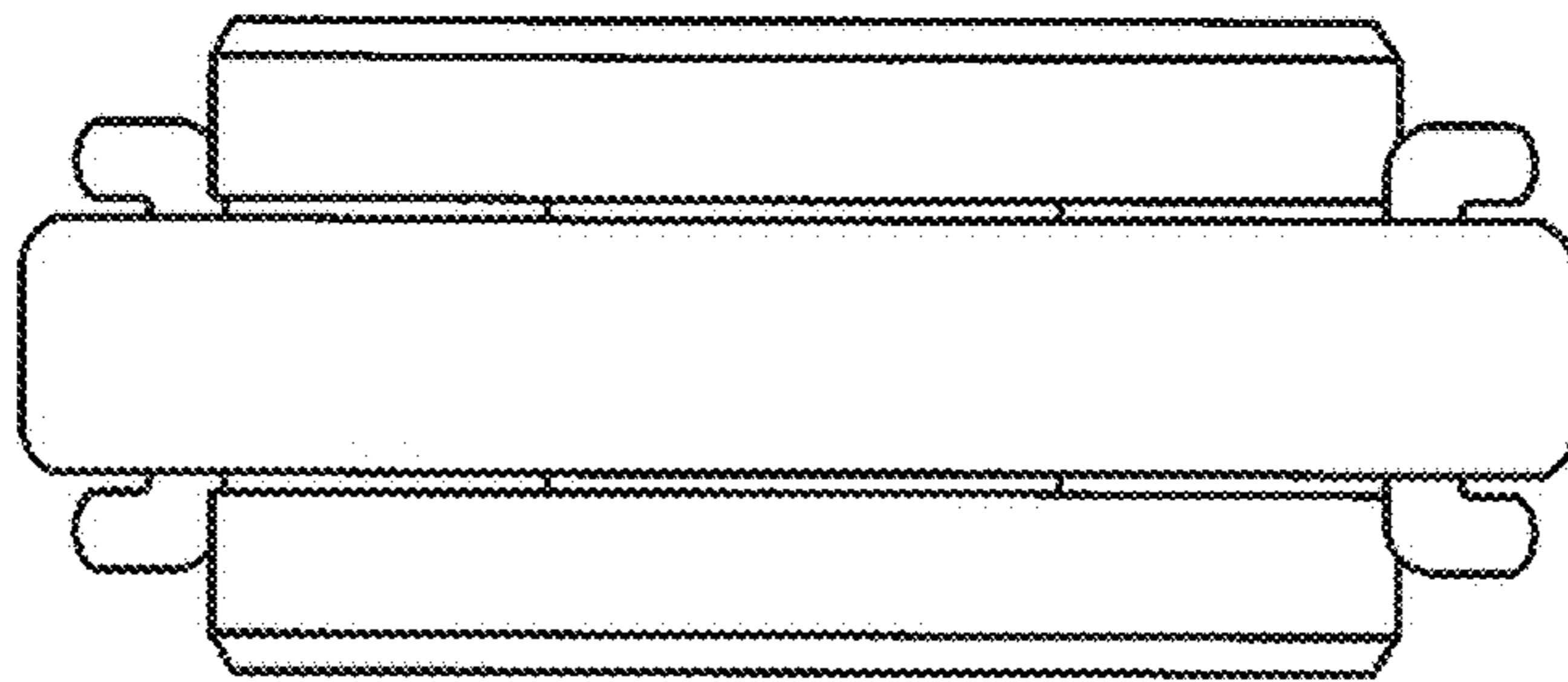
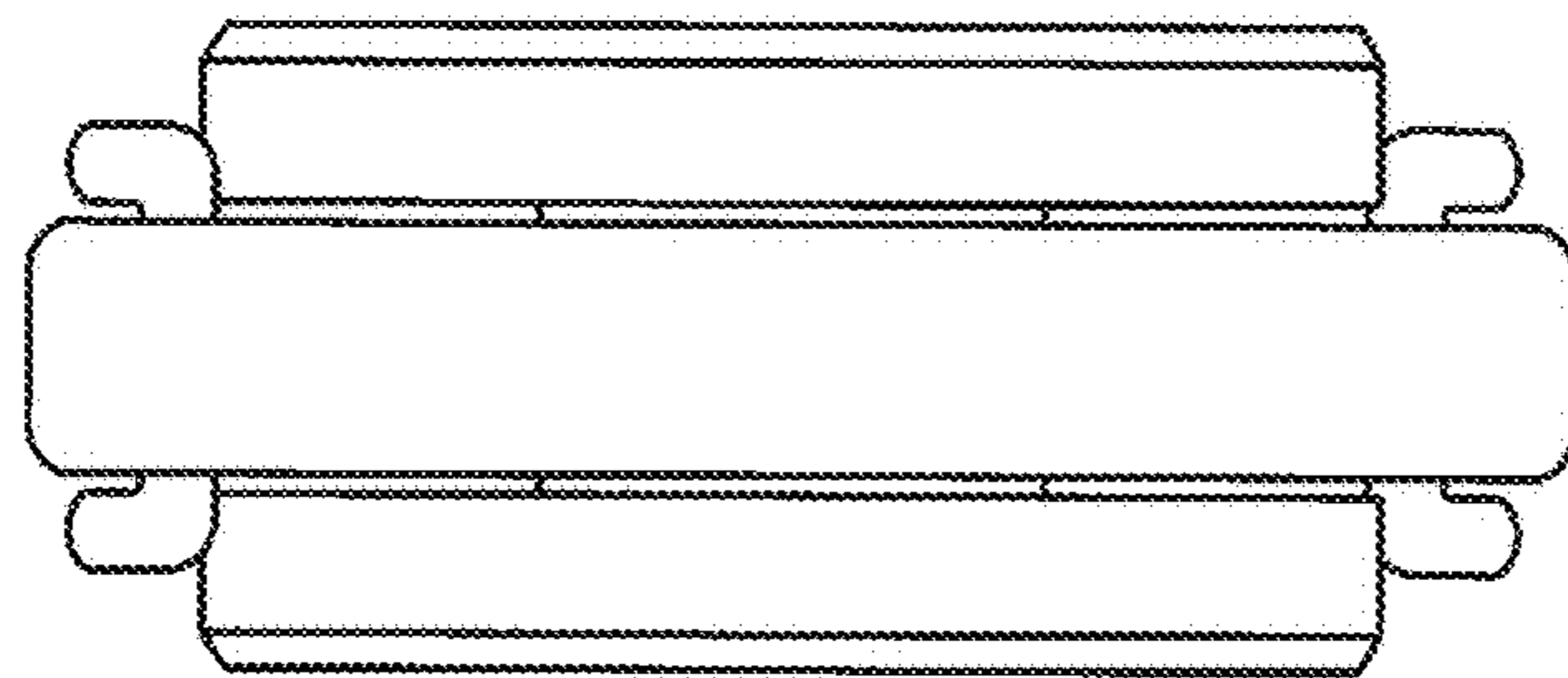


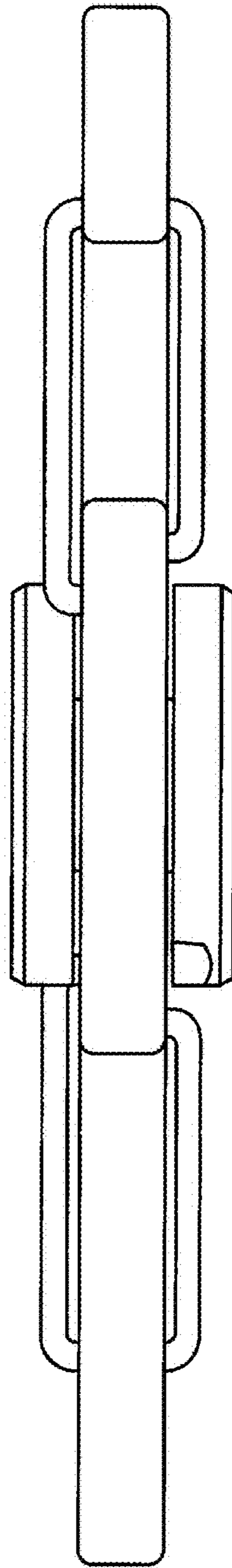
FIG. 3



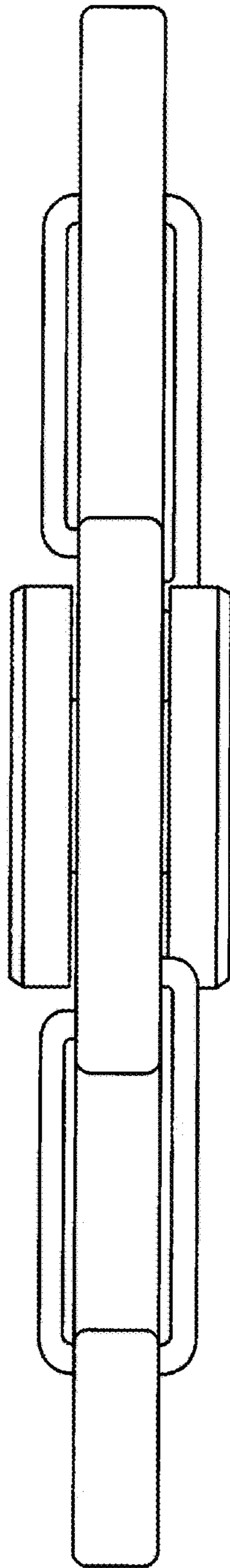
*FIG. 4*



*FIG. 5*

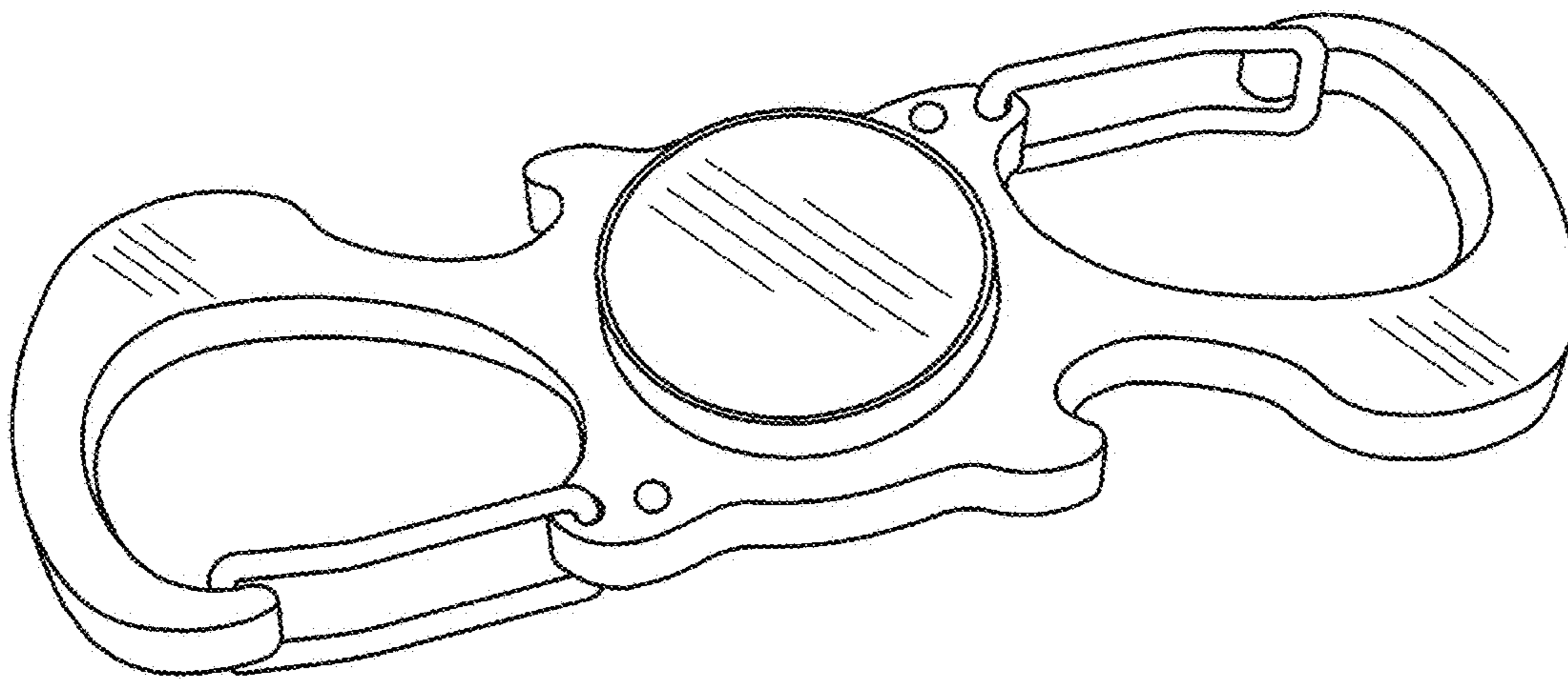


*FIG. 6*



*FIG. 7*





*FIG. 8*