



US00D840202S

(12) **United States Design Patent** (10) **Patent No.:** **US D840,202 S**  
**Williams** (45) **Date of Patent:** **\*\* Feb. 12, 2019**

(54) **WINDOW DE-ICER**  
(71) Applicant: **Brenda B. Williams**, Montclair, NJ  
(US)  
(72) Inventor: **Brenda B. Williams**, Montclair, NJ  
(US)  
(\*\*) Term: **15 Years**  
(21) Appl. No.: **29/638,058**  
(22) Filed: **Feb. 23, 2018**

**Related U.S. Application Data**

(62) Division of application No. 29/537,621, filed on Aug. 27, 2015, now Pat. No. Des. 824,229.

(51) **LOC (11) Cl.** ..... **08-05**

(52) **U.S. Cl.**  
USPC ..... **D8/29.2**; D32/8

(58) **Field of Classification Search**  
USPC ..... D32/8, 40, 41, 46, 49; D8/29.1, 29.2;  
D23/223, 332; D28/13, 16  
CPC ..... A47L 1/16; A47L 1/08; A46B 11/0055;  
F24H 3/062; D06F 58/00; D06F 58/02;  
D06F 58/04; D06F 58/20; D06F 23/04;  
G05B 19/042

See application file for complete search history.

(56) **References Cited**

**U.S. PATENT DOCUMENTS**

4,275,476 A 6/1981 Hopkins et al.  
4,366,368 A 12/1982 Stephens  
D274,551 S 7/1984 Benjamin et al.  
D293,020 S 12/1987 Steinel  
D296,070 S 6/1988 Cunningham  
4,778,301 A 10/1988 Sicotte  
D341,302 S 11/1993 Ware  
D372,349 S 7/1996 Adair  
D373,722 S 9/1996 Kastberg

D373,863 S 9/1996 Shepherd  
D388,297 S \* 12/1997 Bittenbender ..... D8/29.1  
D388,298 S \* 12/1997 Jerdee ..... D8/29.1  
D388,570 S 12/1997 Humphries  
5,973,294 A 10/1999 Schaff et al.  
D456,679 S \* 5/2002 Cheng ..... D8/29.1  
D457,044 S \* 5/2002 Cheng ..... D8/29.1  
D457,407 S \* 5/2002 Pretzell ..... D8/29.1  
D479,376 S 9/2003 Hsu  
D481,277 S \* 10/2003 Waldron ..... D8/29.1  
D516,883 S \* 3/2006 Popov ..... D8/29.1  
D552,443 S \* 10/2007 Aglassinger ..... D8/29.1  
D572,097 S 7/2008 Yung-Kuan  
D599,182 S 9/2009 Baxter  
D608,856 S 1/2010 Dammkoehler  
D613,569 S 4/2010 Steinel  
D615,834 S \* 5/2010 Netzler ..... D8/29.1  
D615,835 S \* 5/2010 Netzler ..... D8/29.1  
7,832,955 B1 11/2010 Leffew et al.  
D639,129 S \* 6/2011 Van Wambeke ..... D8/29.1

(Continued)

*Primary Examiner* — Michelle E. Wilson  
(74) *Attorney, Agent, or Firm* — Global Intellectual Property Agency, LLC; Daniel Boudwin

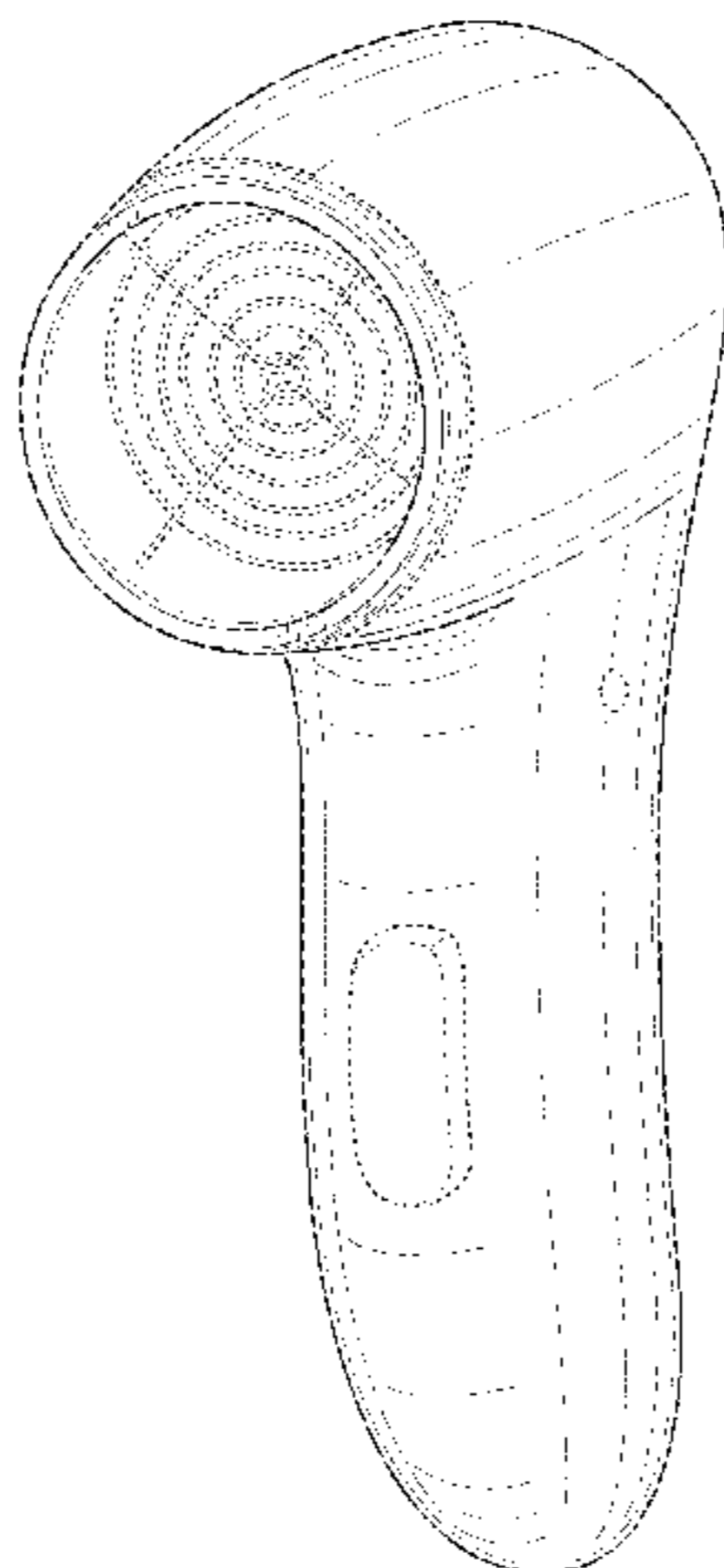
(57) **CLAIM**

The ornamental design for a window de-icer, as shown and described.

**DESCRIPTION**

FIG. 1 shows a perspective view of the window de-icer; FIG. 2 shows a front view thereof; FIG. 3 shows a rear view thereof; FIG. 4 shows a right side view thereof; FIG. 5 shows a left side view thereof; FIG. 6 shows a top plan view thereof; and, FIG. 7 shows a bottom plan view thereof. The broken line showing of portions of the window de-icer is included for the purpose of illustrating portion of the article that forms no part of the claimed design.

**1 Claim, 5 Drawing Sheets**



(56)

**References Cited**

U.S. PATENT DOCUMENTS

D641,220	S	*	7/2011	Shi .....	D8/29.1
D664,820	S	*	8/2012	Furling .....	D8/29.1
D679,561	S		4/2013	Price	
D740,629	S		10/2015	Furling	
D742,708	S		11/2015	Howell	
D746,653	S		1/2016	Furling	
D762,933	S		8/2016	Masalin	
D788,394	S		5/2017	Bo	
D799,637	S	*	10/2017	Tschan .....	D23/223
D803,649	S	*	11/2017	van der Rest .....	D8/68
D814,262	S	*	4/2018	Khubani .....	D8/68
D824,229	S	*	7/2018	Williams .....	D8/29.2

\* cited by examiner

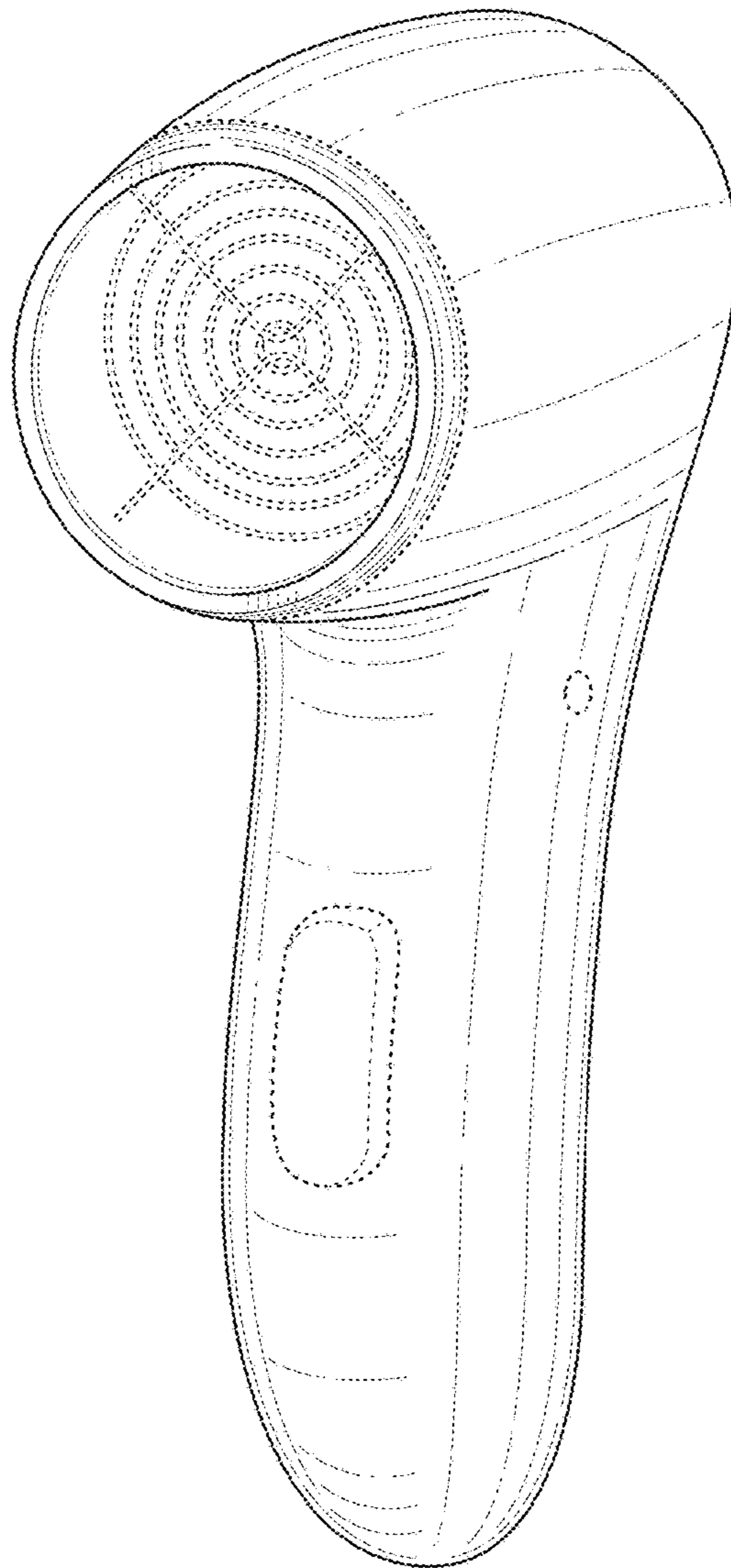


FIG. 1

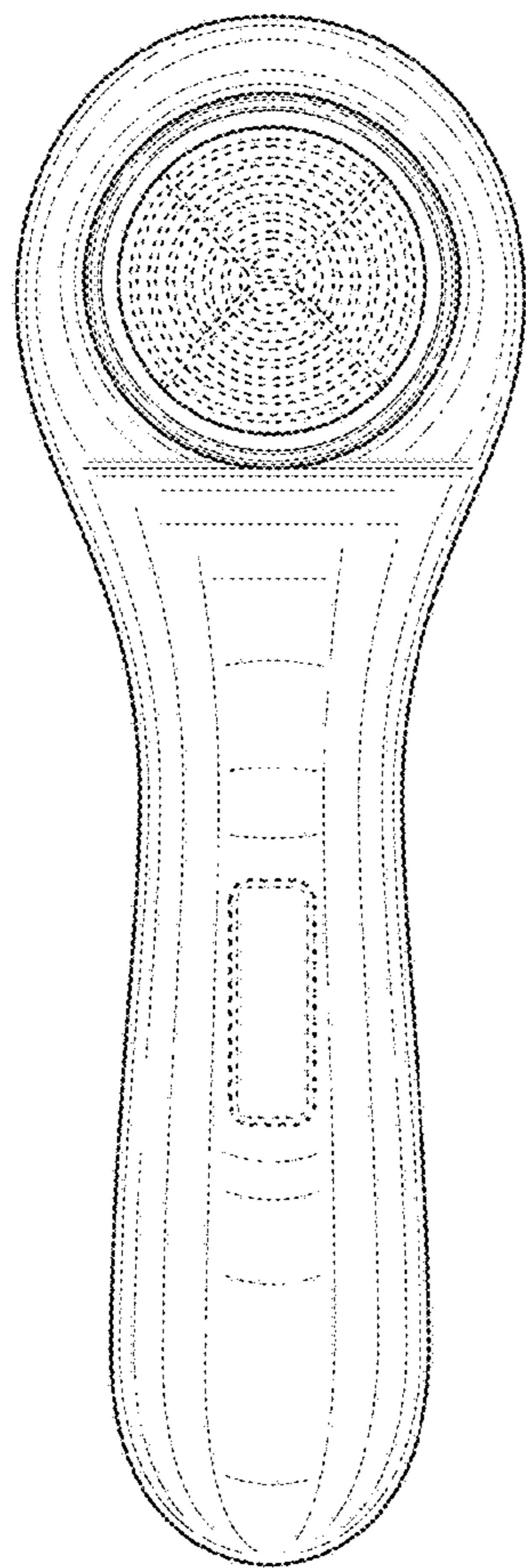


FIG. 2

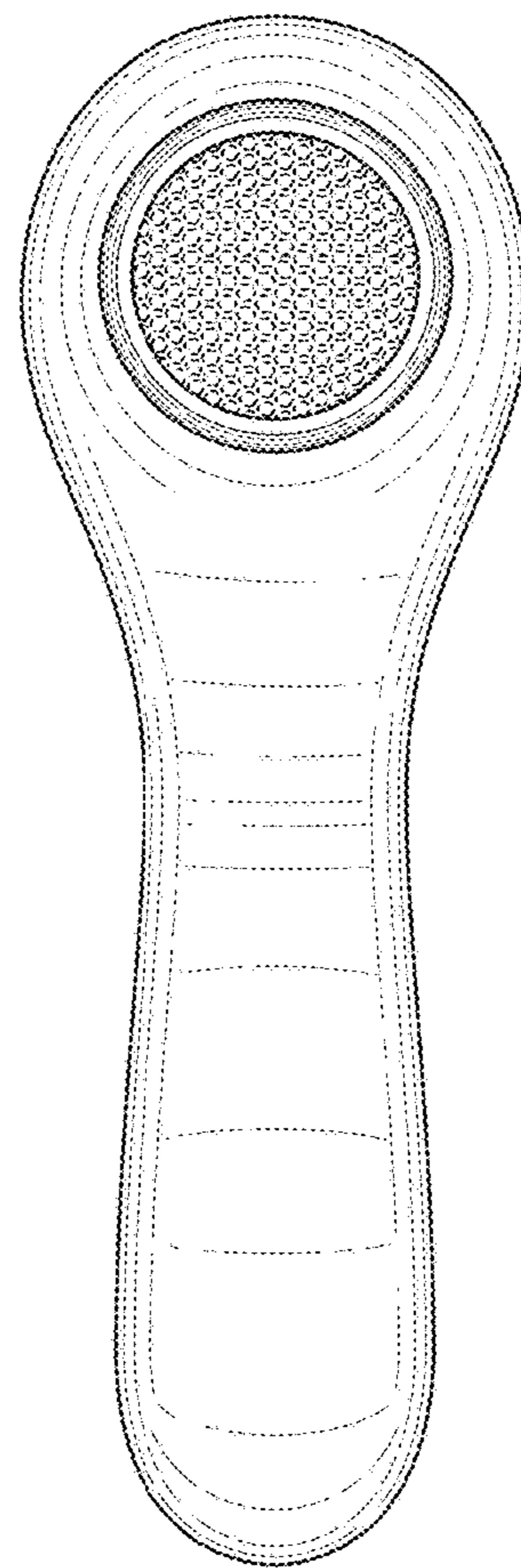


FIG. 3

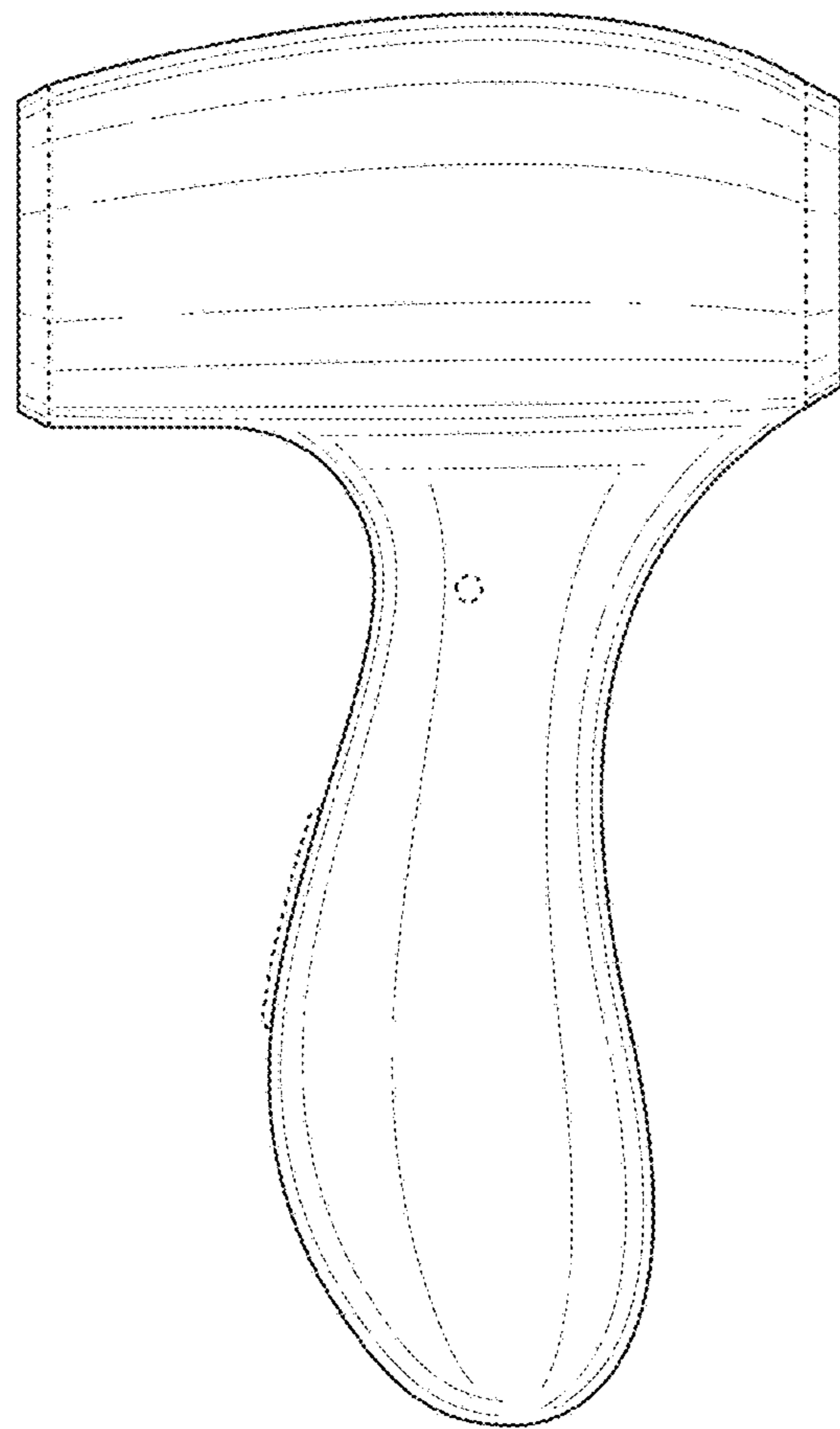


FIG. 4

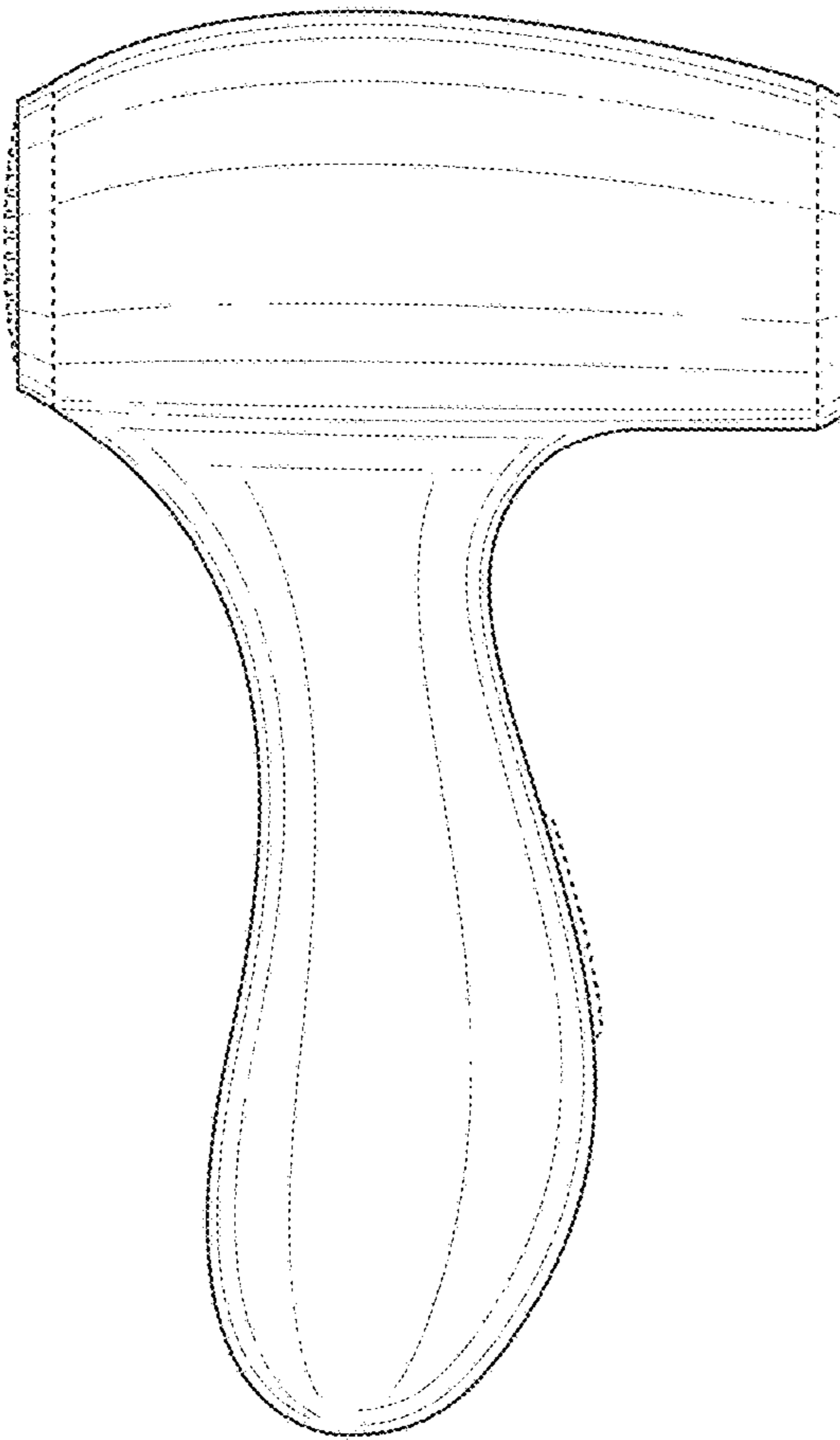


FIG. 5

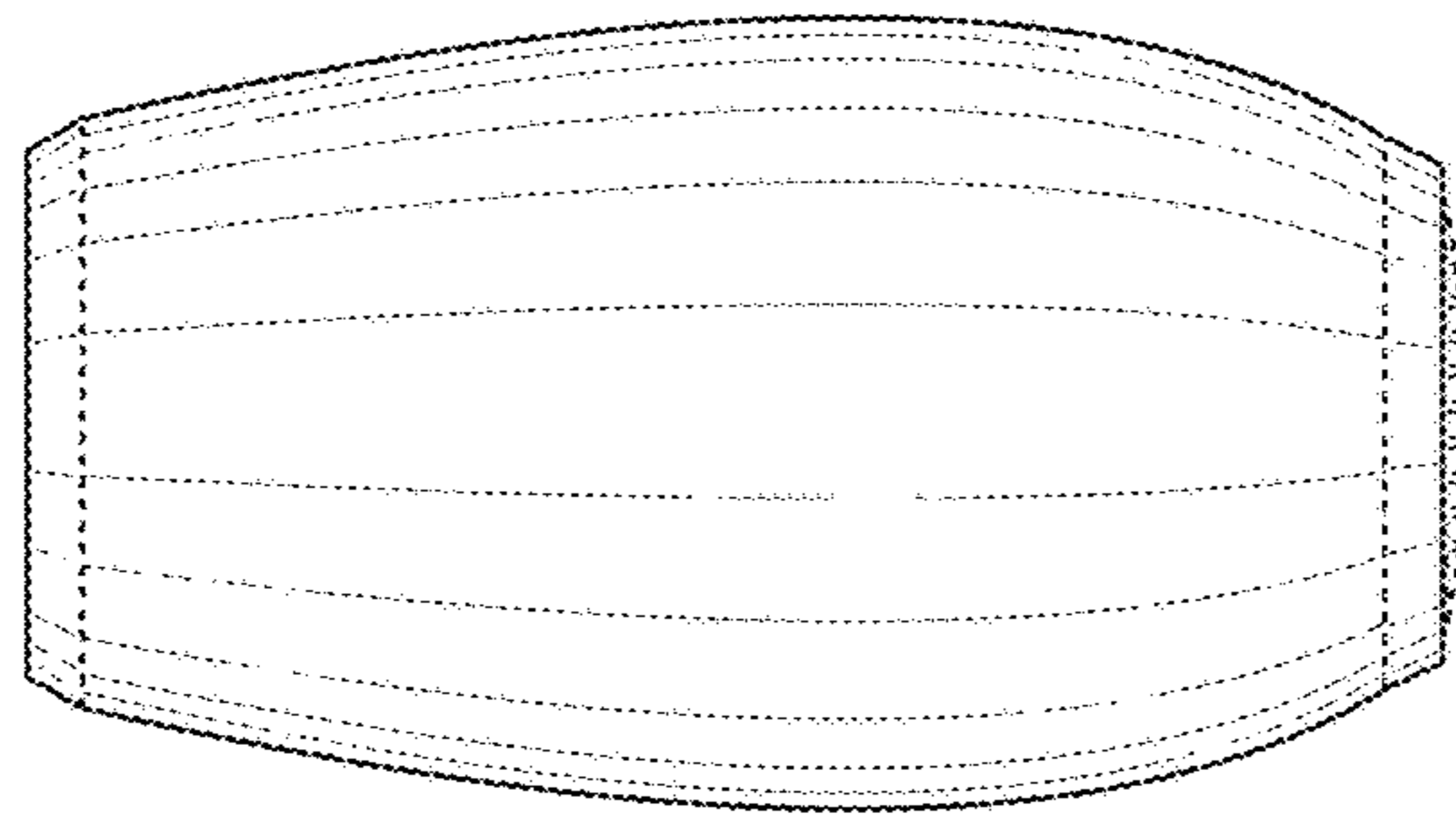


FIG. 6

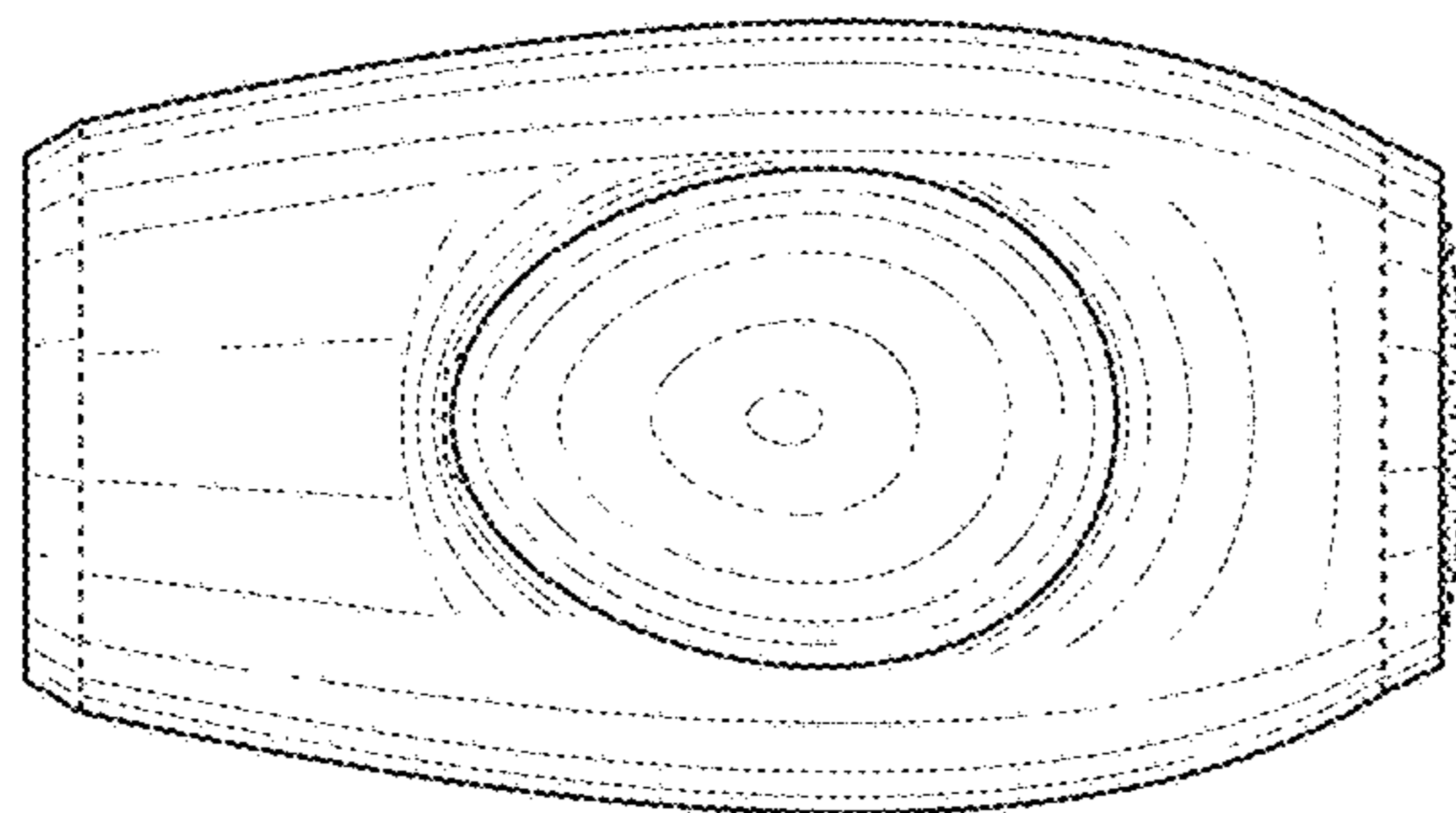


FIG. 7