



US00D840201S

(12) **United States Design Patent** (10) **Patent No.:** **US D840,201 S**
Toda (45) **Date of Patent:** **** Feb. 12, 2019**

(54) **SOCKET WRENCH**
(71) Applicant: **ZAMA JAPAN KABUSHIKI KAISHA**, Iwate (JP)
(72) Inventor: **Mamoru Toda**, Iwate (JP)
(73) Assignee: **ZAMA JAPAN KABUSHIKI KAISHA**, Iwate (JP)
(**) Term: **15 Years**
(21) Appl. No.: **29/592,387**
(22) Filed: **Jan. 30, 2017**
(51) **LOC (11) Cl.** **08-05**
(52) **U.S. Cl.**
USPC **D8/29**
(58) **Field of Classification Search**
USPC D8/29; 81/60, 177.1, 177.85, 121.1, 81/124.3, 165-170, 110.1, 176.2, 124.6, 81/176.1, 176.15, 177.2, 186; 16/110.1
CPC B25B 13/06; B25B 13/065
See application file for complete search history.

(56) **References Cited**
U.S. PATENT DOCUMENTS
6,354,175 B1 * 3/2002 Dobson B25B 13/04 81/119
7,185,568 B1 * 3/2007 Vance B25B 23/0021 16/110.1
D637,051 S * 5/2011 Li D8/29

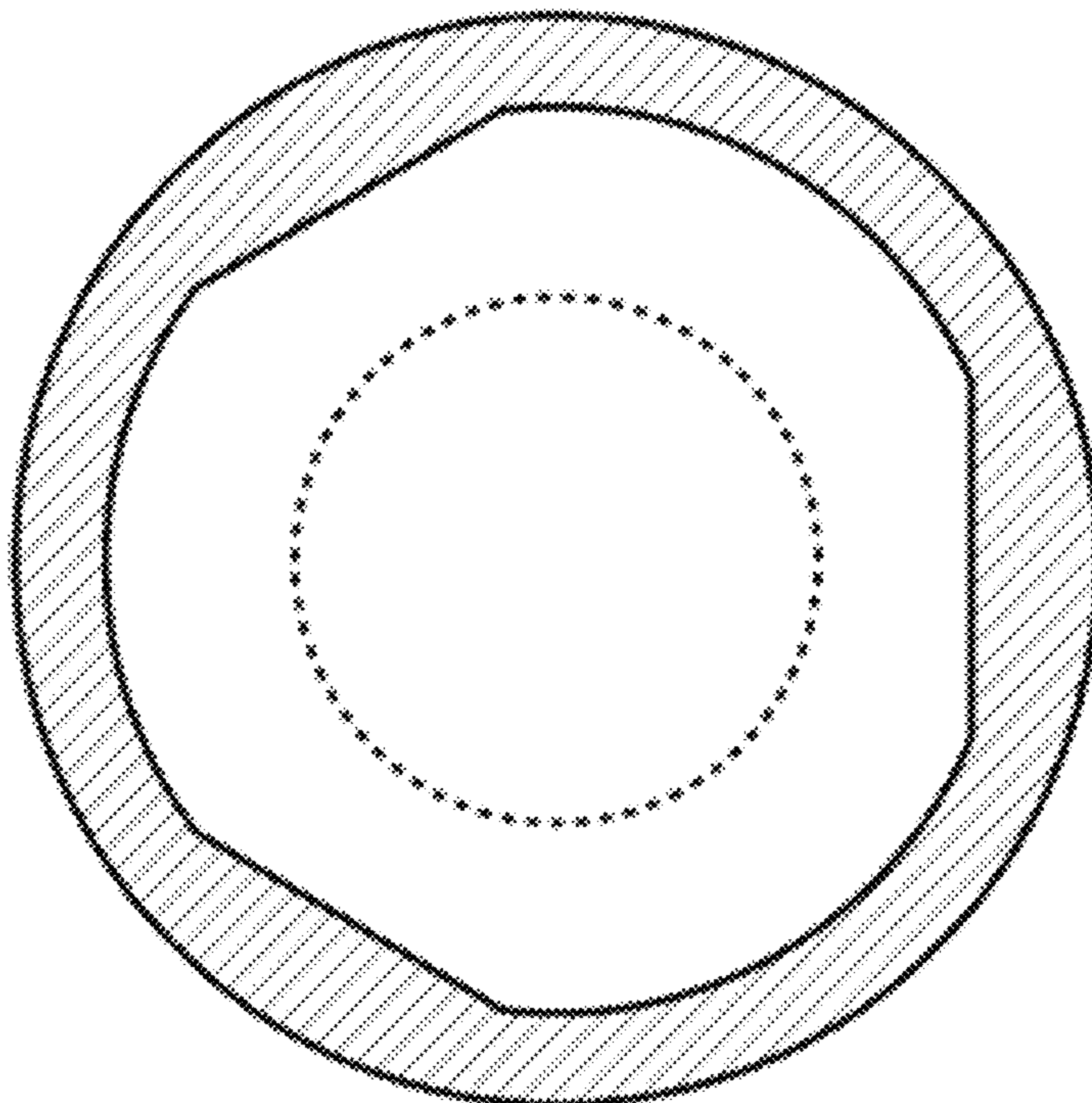
D750,457 S * 3/2016 Li D8/29
* cited by examiner
Primary Examiner — Randall H Gholson
(74) *Attorney, Agent, or Firm* — One LLP

(57) **CLAIM**
The ornamental design for a socket wrench, as shown and described.

DESCRIPTION

FIG. 1 is a front, plan view of the socket wrench, showing the new design;
FIG. 2 is a left side, end elevation view of the socket wrench from FIG. 1;
FIG. 3 is a right side, end elevation view of the socket wrench from FIG. 1;
FIG. 4 is a cross-sectional view of the socket wrench from FIG. 1 taken along line A-A';
FIG. 5 is a detail view of the socket wrench from FIG. 2 taken along lines B-B' and C-C';
FIG. 6 is a cross-sectional view of the socket wrench from FIG. 5 taken along line D-D';
FIG. 7 is a cross-sectional view of the socket wrench from FIG. 5 taken along line E-E'; and,
FIG. 8 is an exploded assembly perspective view thereof, showing the new design in a state of use with a needle valve for carburetors.
The broken lines shown in the drawings are for illustrative purposes only and form no part of the claimed design.

1 Claim, 5 Drawing Sheets



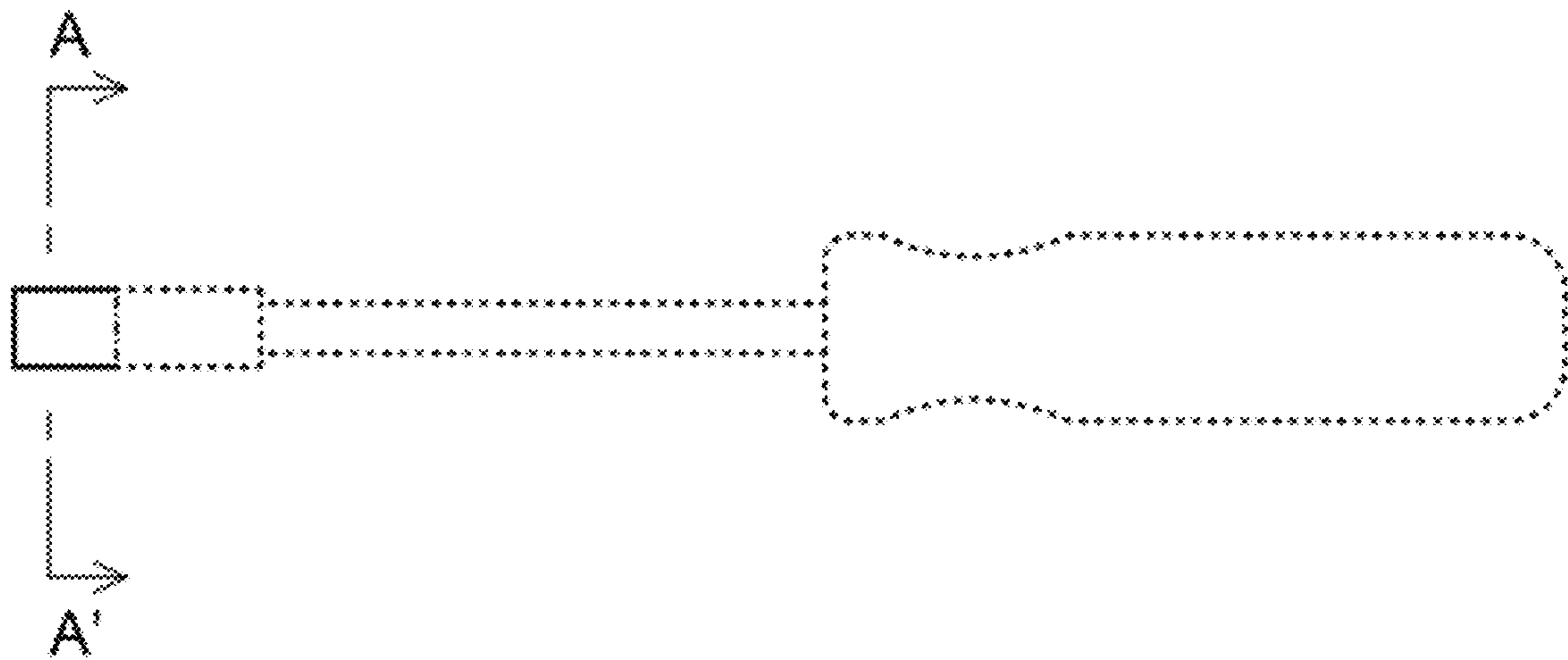


FIG. 1

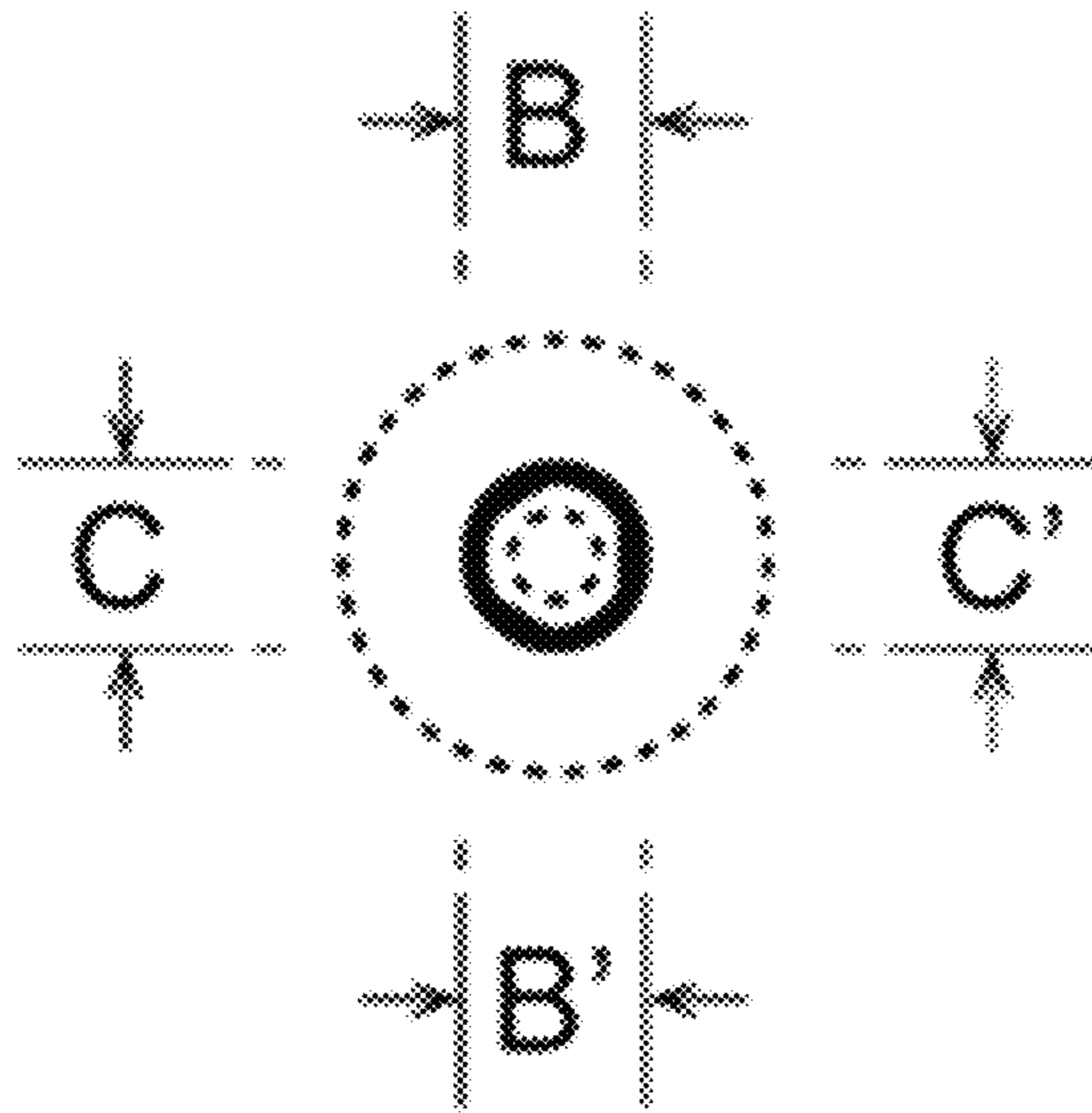


FIG. 2

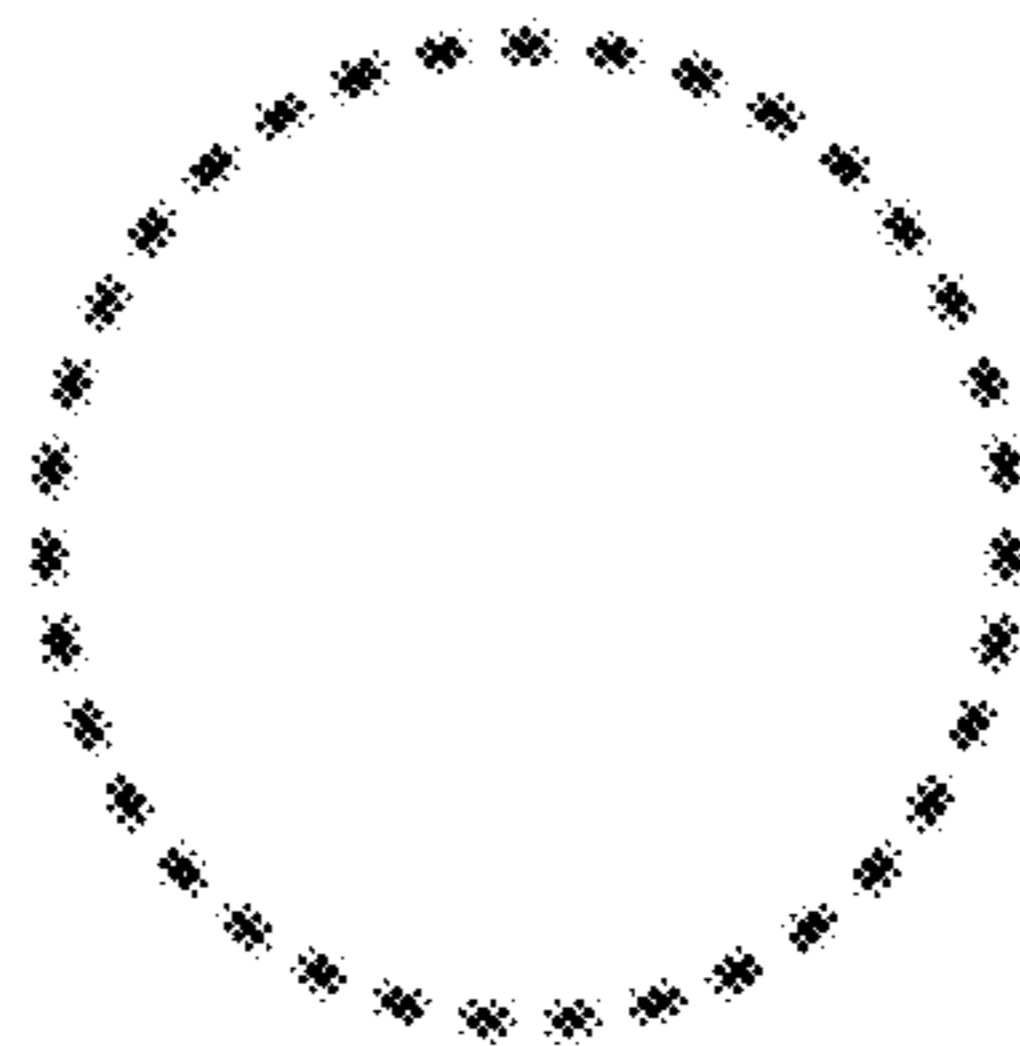


FIG. 3

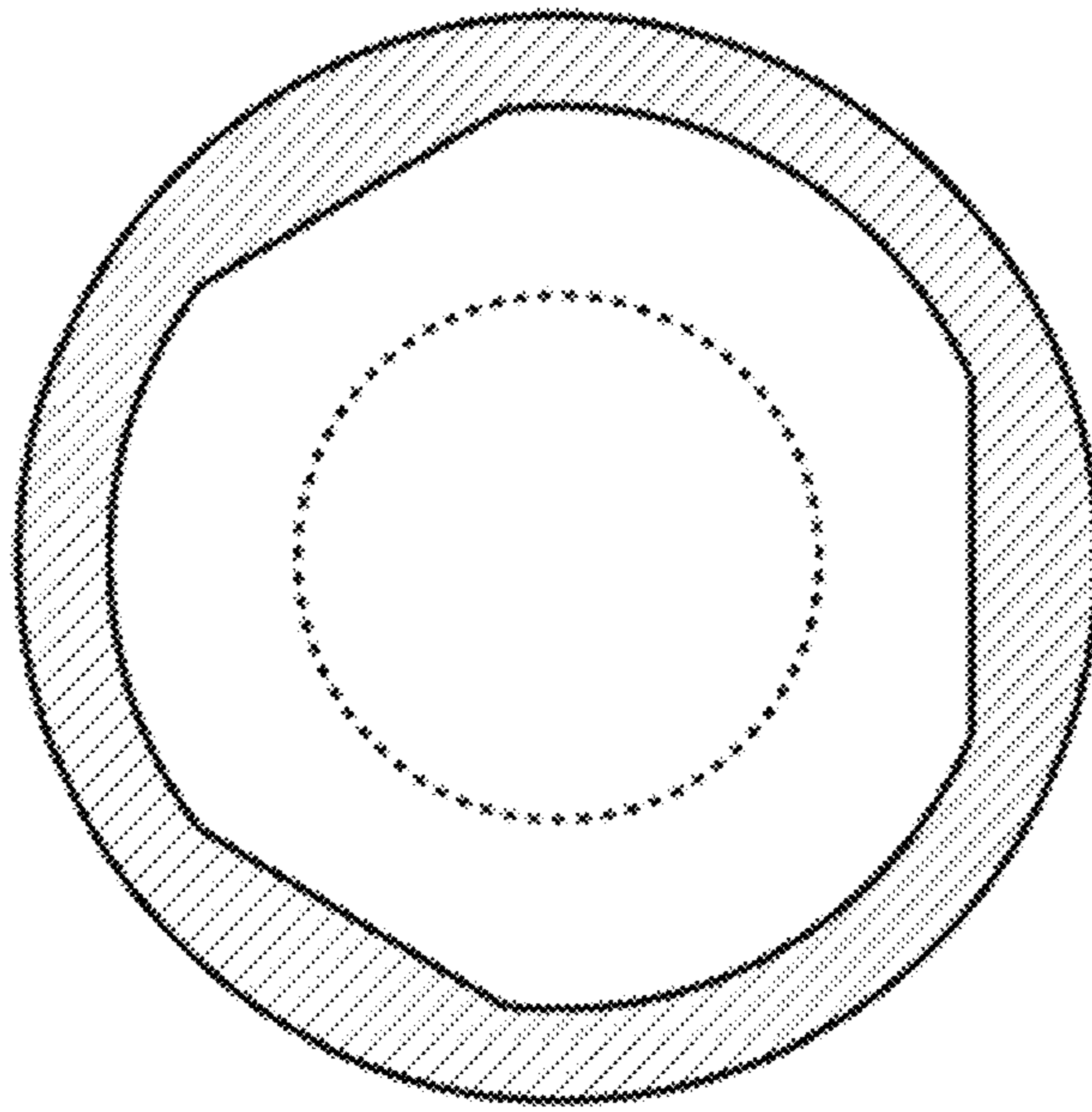


FIG. 4

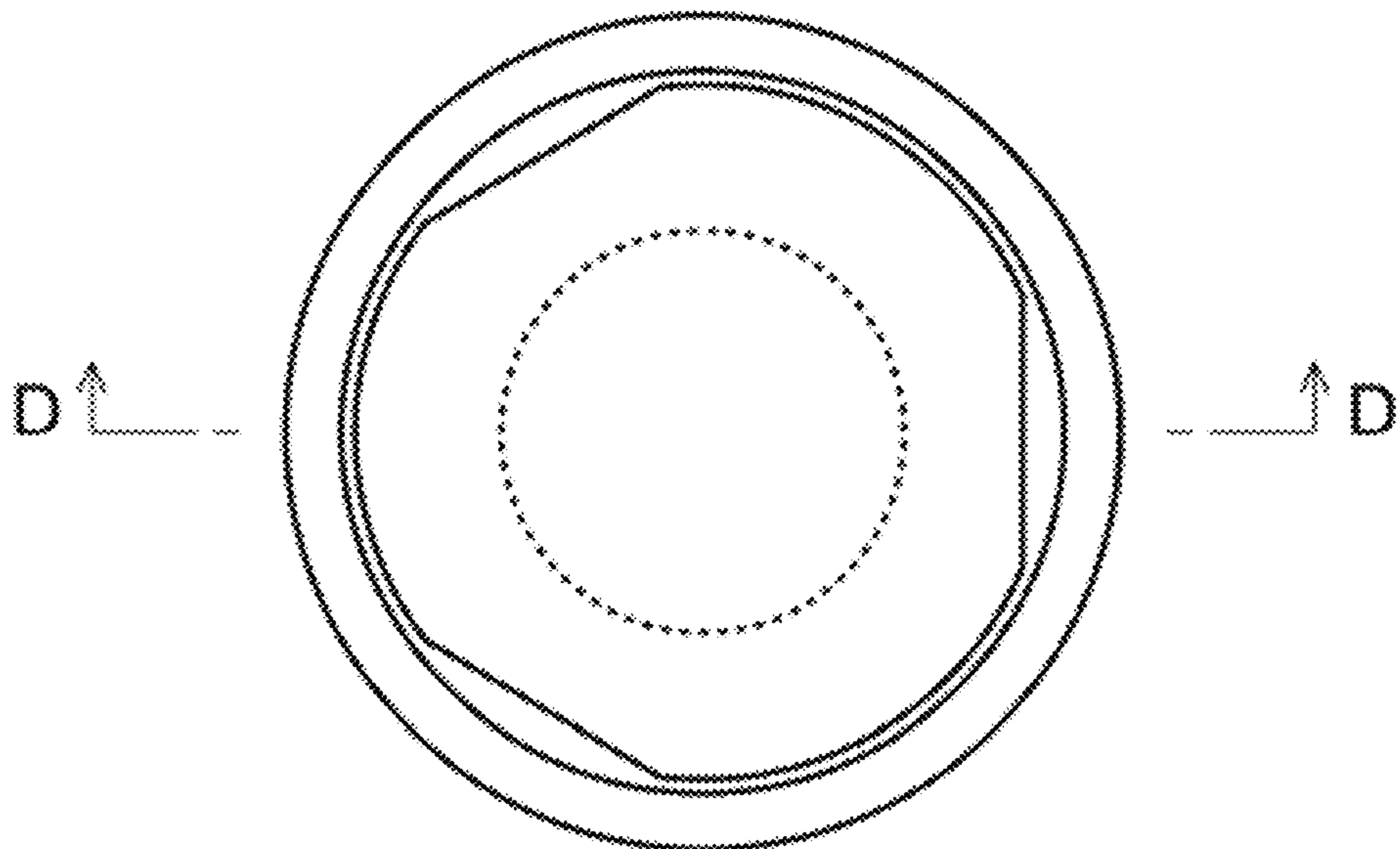


FIG. 5

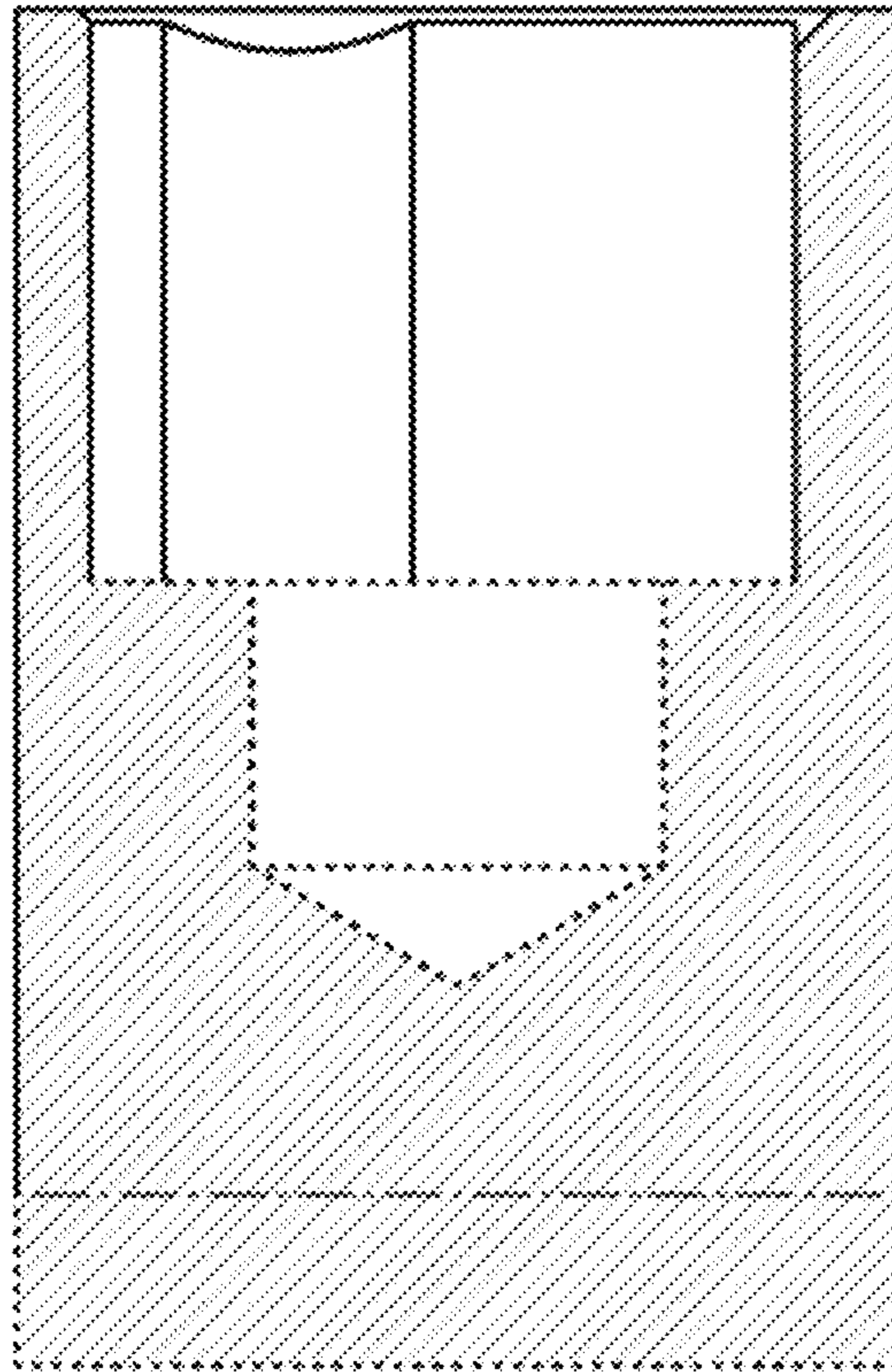


FIG. 6

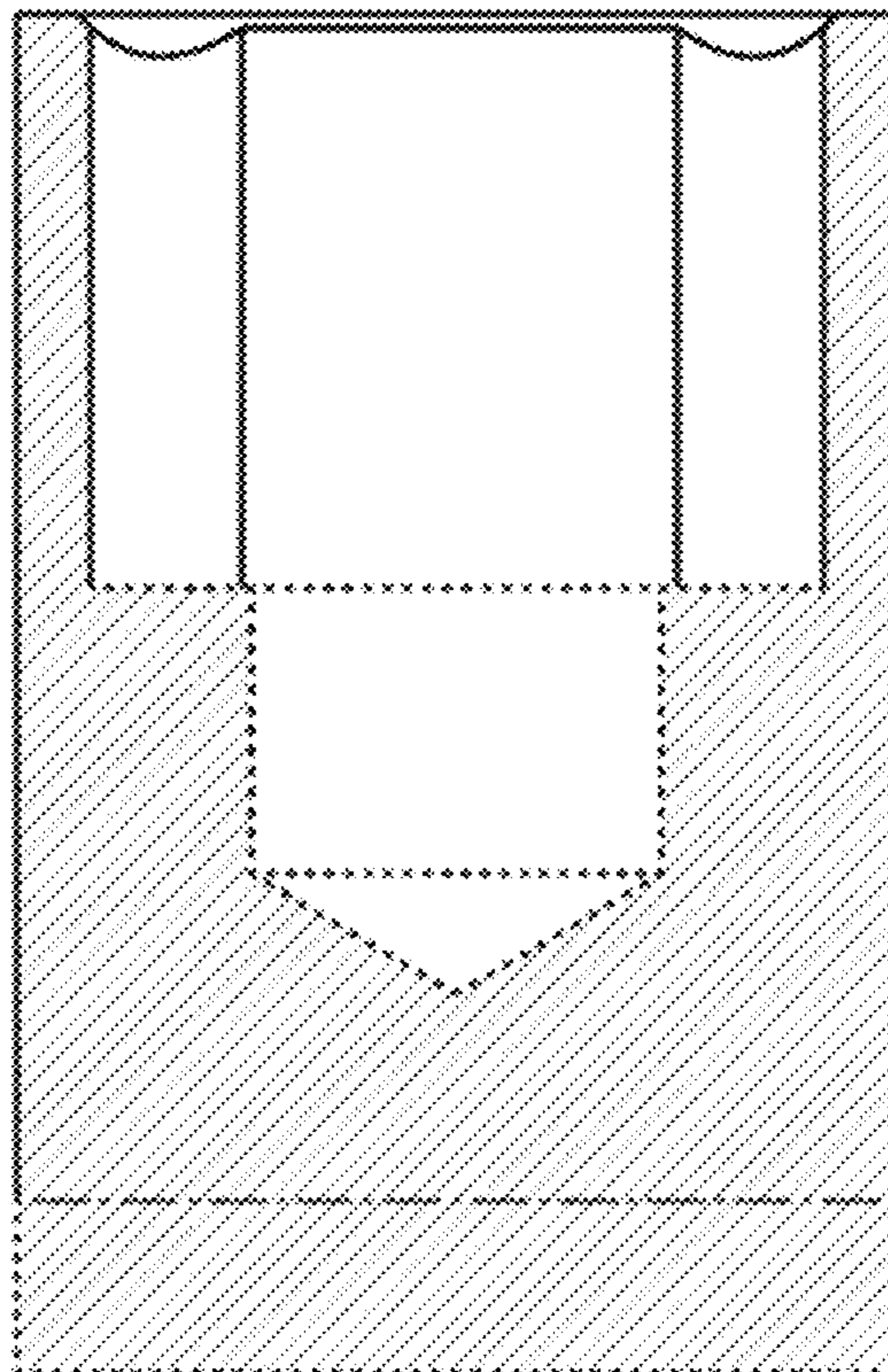


FIG. 7

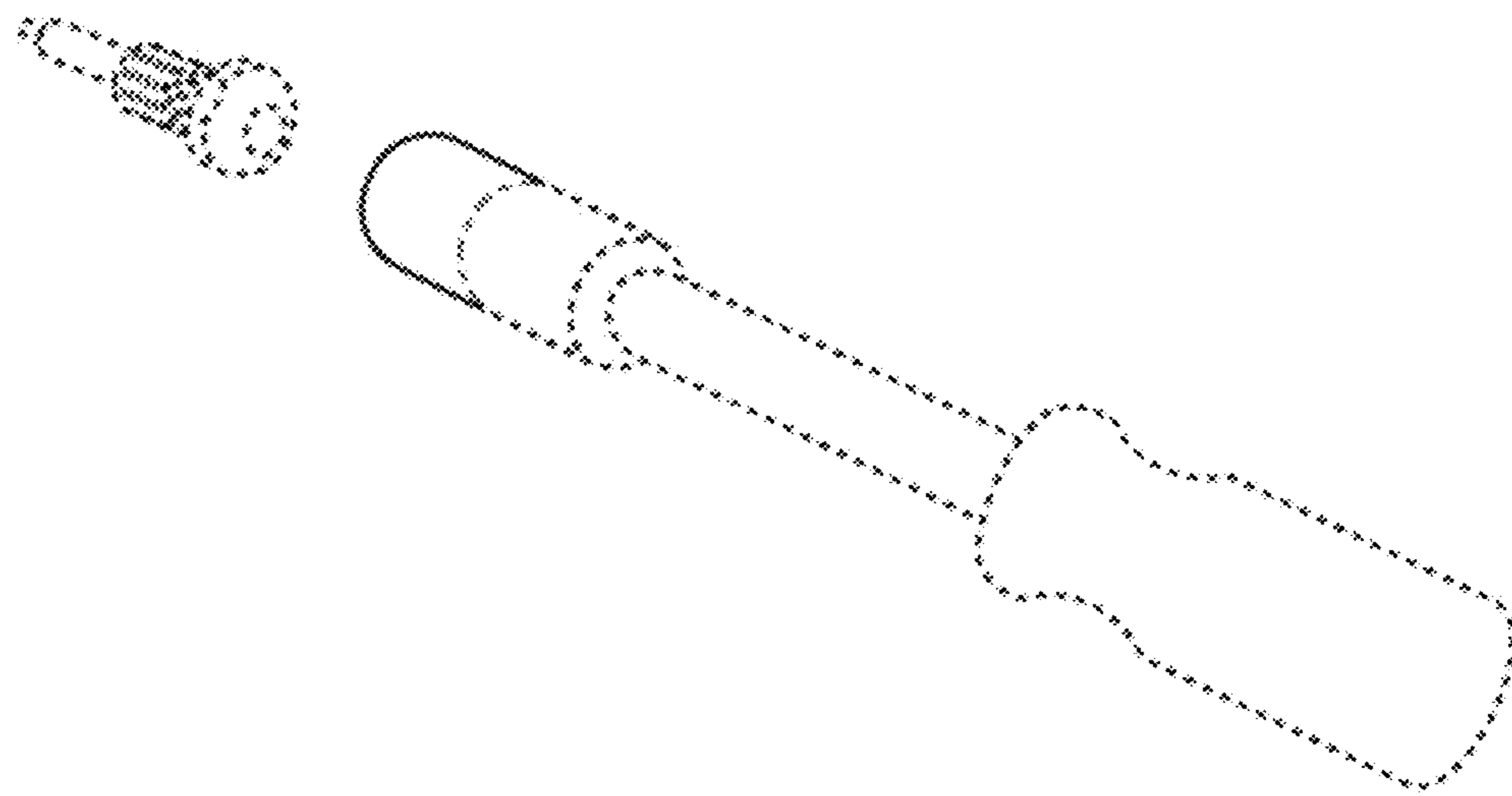


FIG. 8