



US00D840200S

(12) **United States Design Patent**  
**Giemza**

(10) **Patent No.:** **US D840,200 S**

(45) **Date of Patent:** **\*\* Feb. 12, 2019**

(54) **ANCHORING DEVICE**  
(71) Applicant: **GRIPPLE LIMITED**, Sheffield (GB)  
(72) Inventor: **Lee Giemza**, Wakefield (GB)  
(73) Assignee: **GRIPPLE LIMITED** (GB)

D599,629 S \* 9/2009 Pearce ..... D8/1  
8,967,915 B2 \* 3/2015 Ferreira ..... F16G 11/108  
405/259.1  
2009/0016826 A1 \* 1/2009 Carpenter ..... E02B 3/126  
405/302.6  
2011/0236132 A1 \* 9/2011 Wisegerber ..... E02B 3/04  
405/30

(\*\*) Term: **15 Years**

\* cited by examiner

(21) Appl. No.: **29/588,592**

*Primary Examiner* — Sheryl Lane

(22) Filed: **Dec. 21, 2016**

(74) *Attorney, Agent, or Firm* — Clark Hill PLC; James R. Foley

(30) **Foreign Application Priority Data**

(57) **CLAIM**

Jun. 29, 2016 (EM) ..... 003254788-0001

The ornamental design for an anchoring device, as shown and described.

(51) **LOC (11) Cl.** ..... **08-01**

(52) **U.S. Cl.**  
USPC ..... **D8/1**

**DESCRIPTION**

(58) **Field of Classification Search**  
USPC ..... D8/1, 6, 7, 11, 13, 9, 349; D25/113, 117  
CPC ..... E02B 3/04; E02B 3/126; B28B 7/0029  
See application file for complete search history.

FIG. 1 is a bottom perspective view of the anchoring device; FIG. 2 is a top perspective view thereof; FIG. 3 is a bottom view thereof; FIG. 4 is a top view thereof; FIG. 5 is a front view thereof; FIG. 6 is a left side view thereof; FIG. 7 is a right side view thereof; and, FIG. 8 is a rear view thereof.

(56) **References Cited**

**U.S. PATENT DOCUMENTS**

D302,313 S \* 7/1989 Lenson ..... D25/113  
D375,879 S \* 11/1996 Nielsen ..... D23/219  
6,739,797 B1 \* 5/2004 Schneider ..... B28B 7/0029  
404/35

The broken lines represent environment and form no part of the claimed design.

**1 Claim, 8 Drawing Sheets**

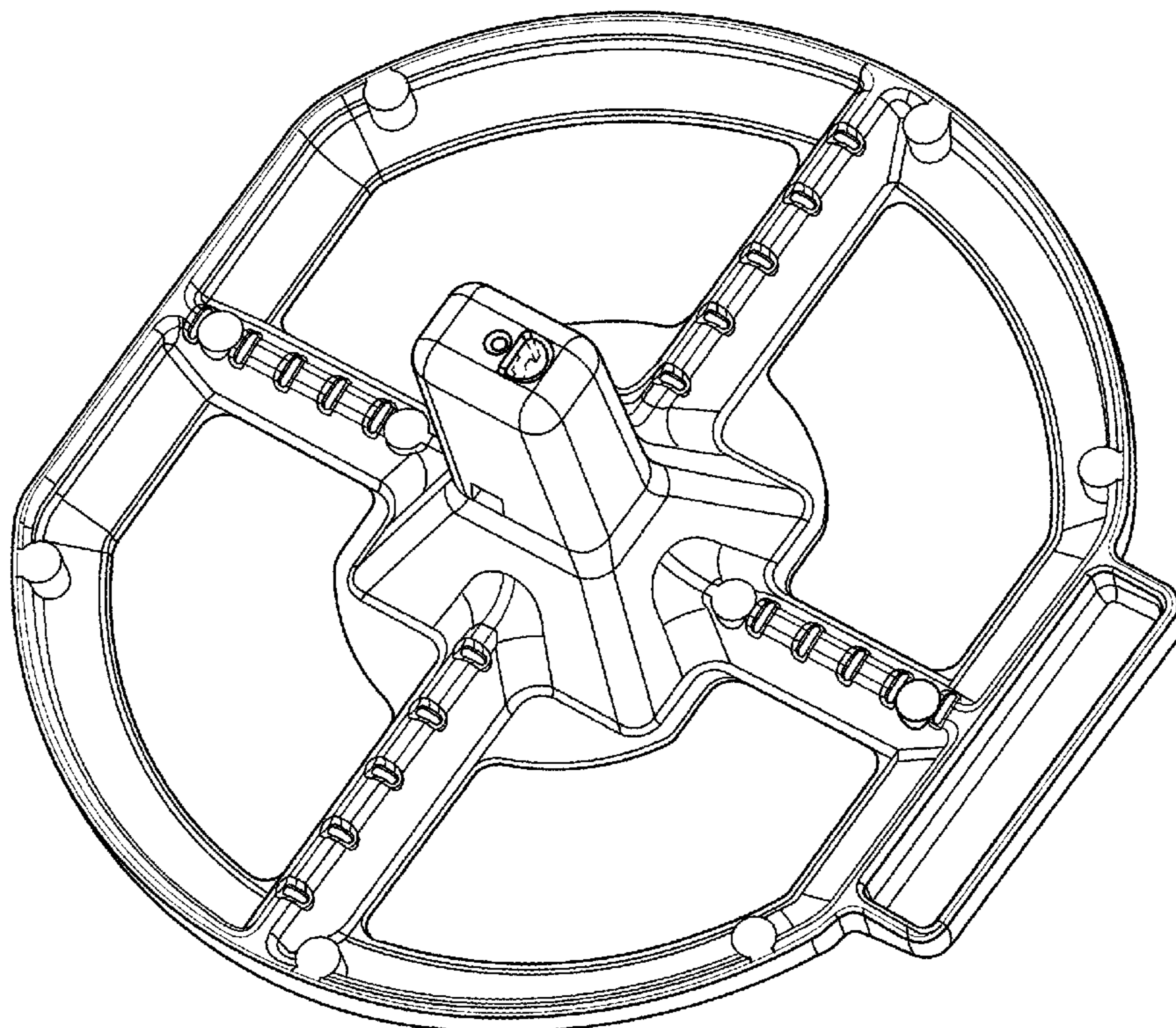


FIG. 1

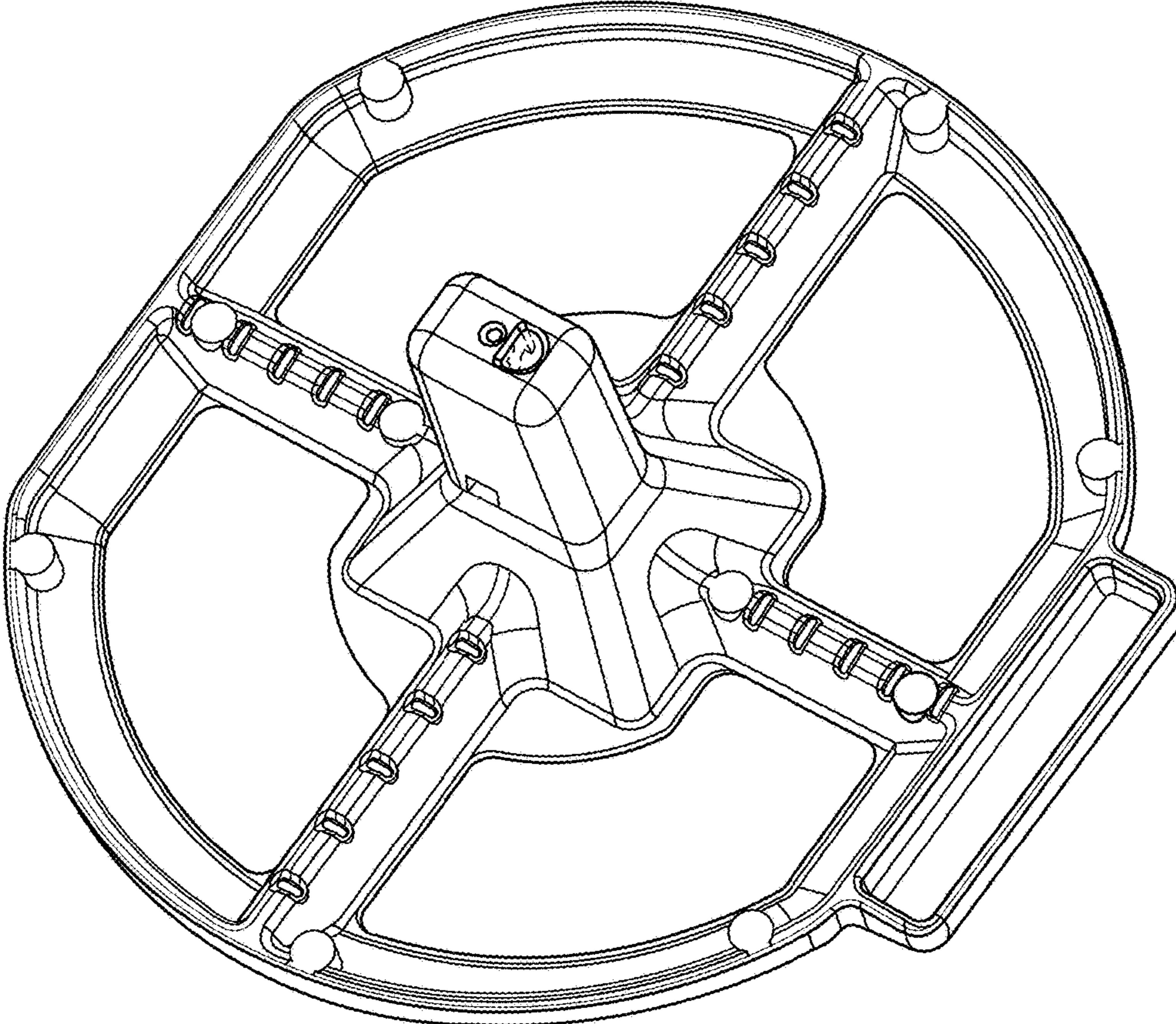


FIG. 2

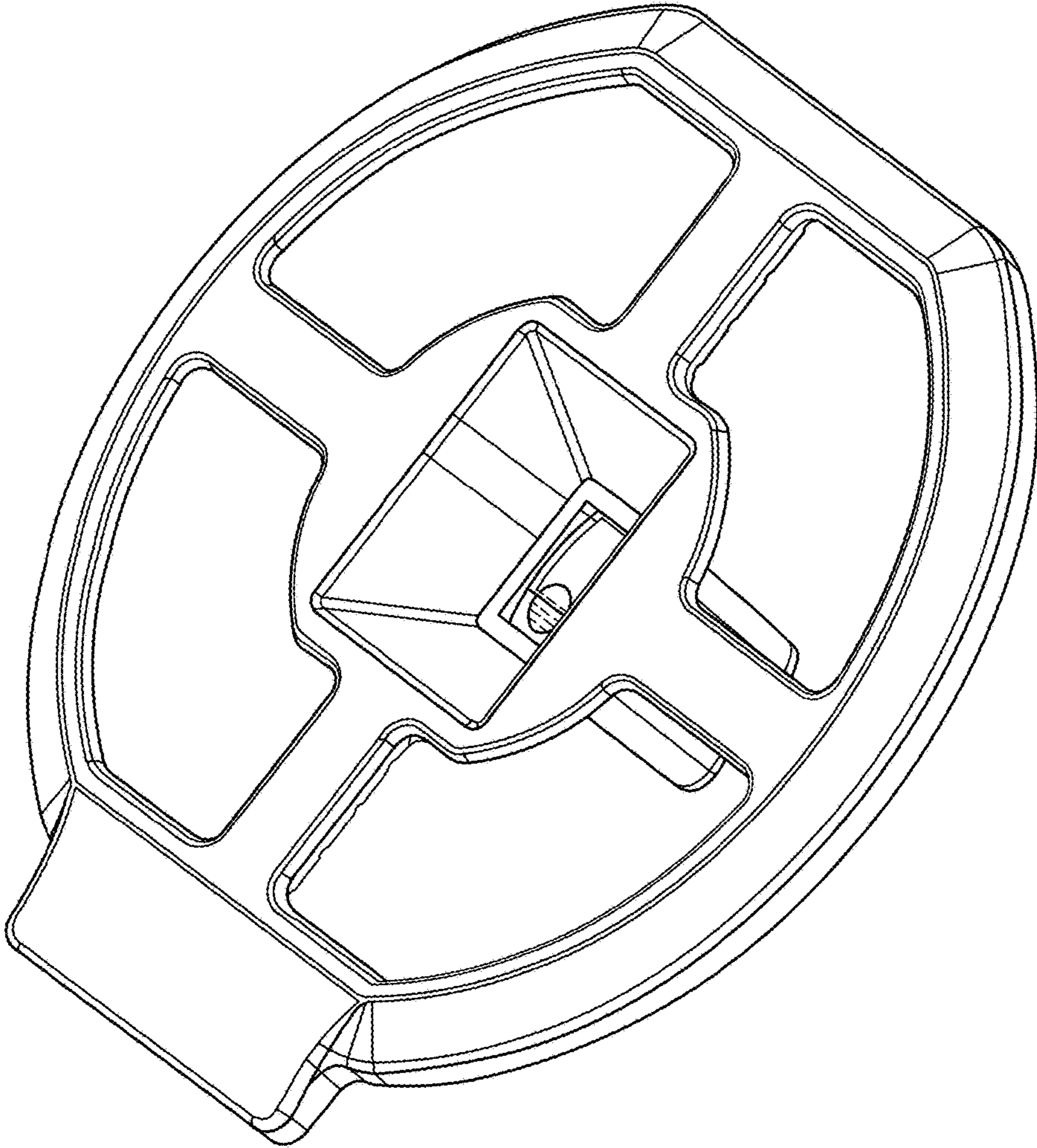


FIG. 3

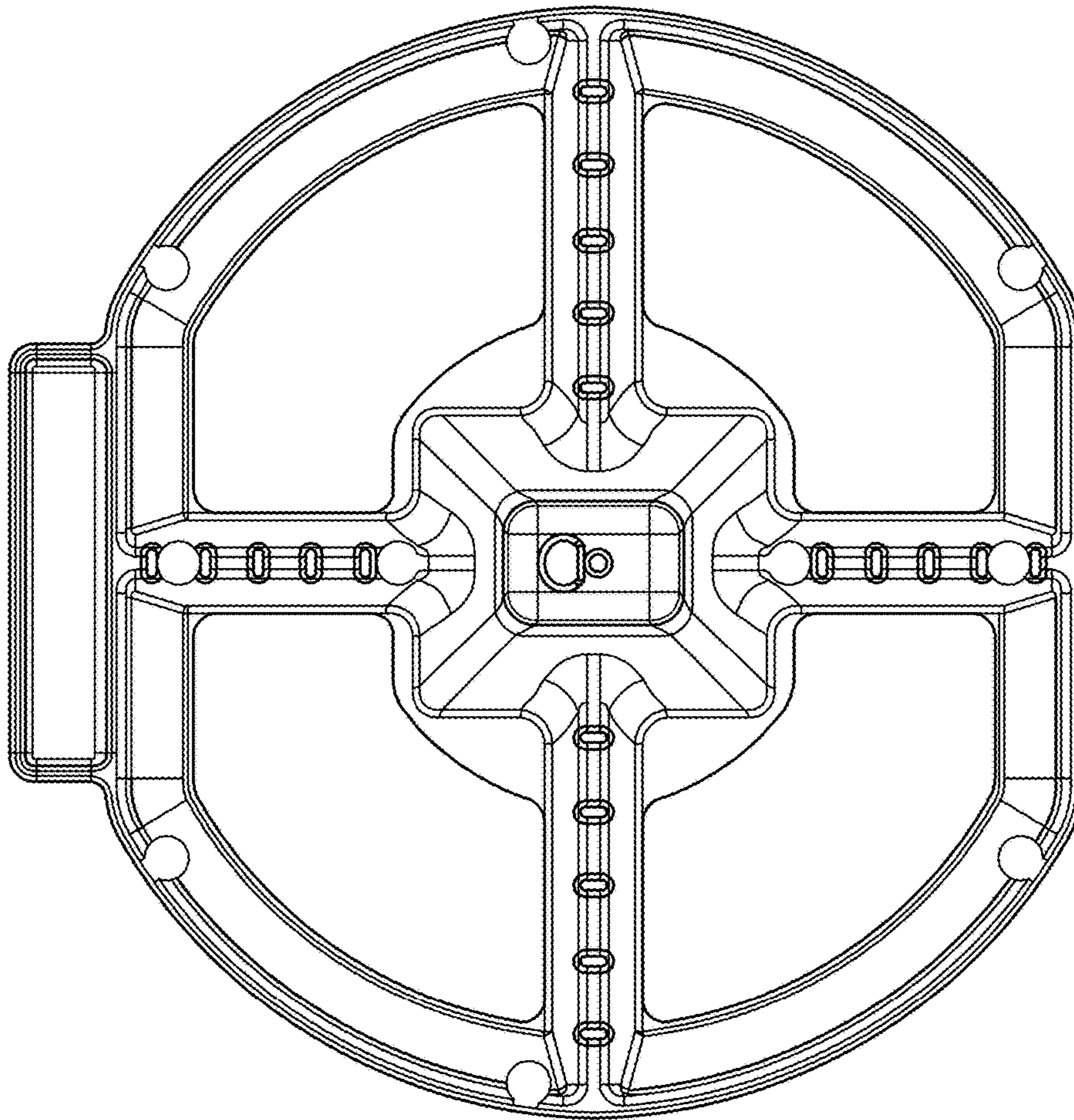


FIG. 4

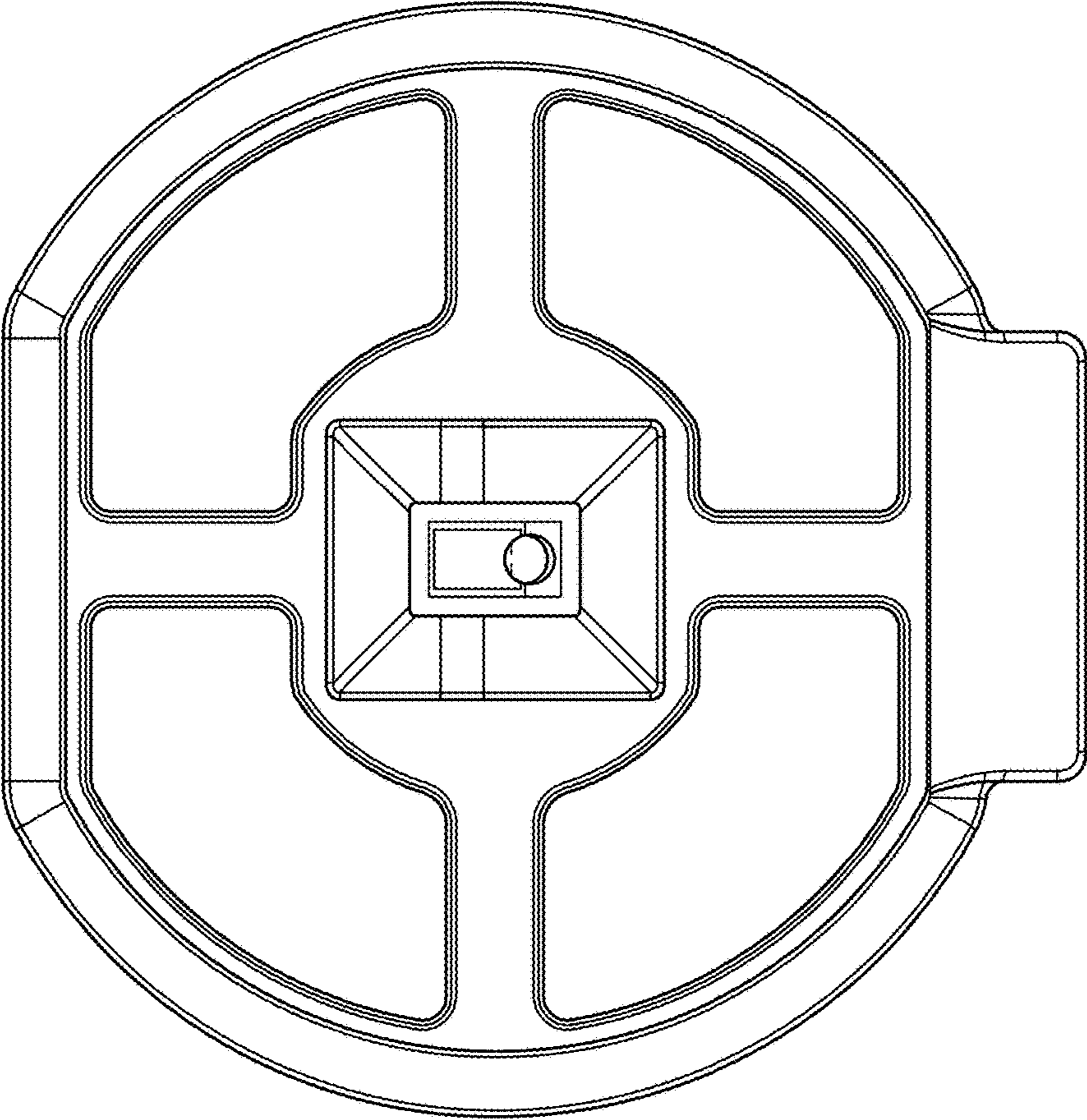


FIG. 5

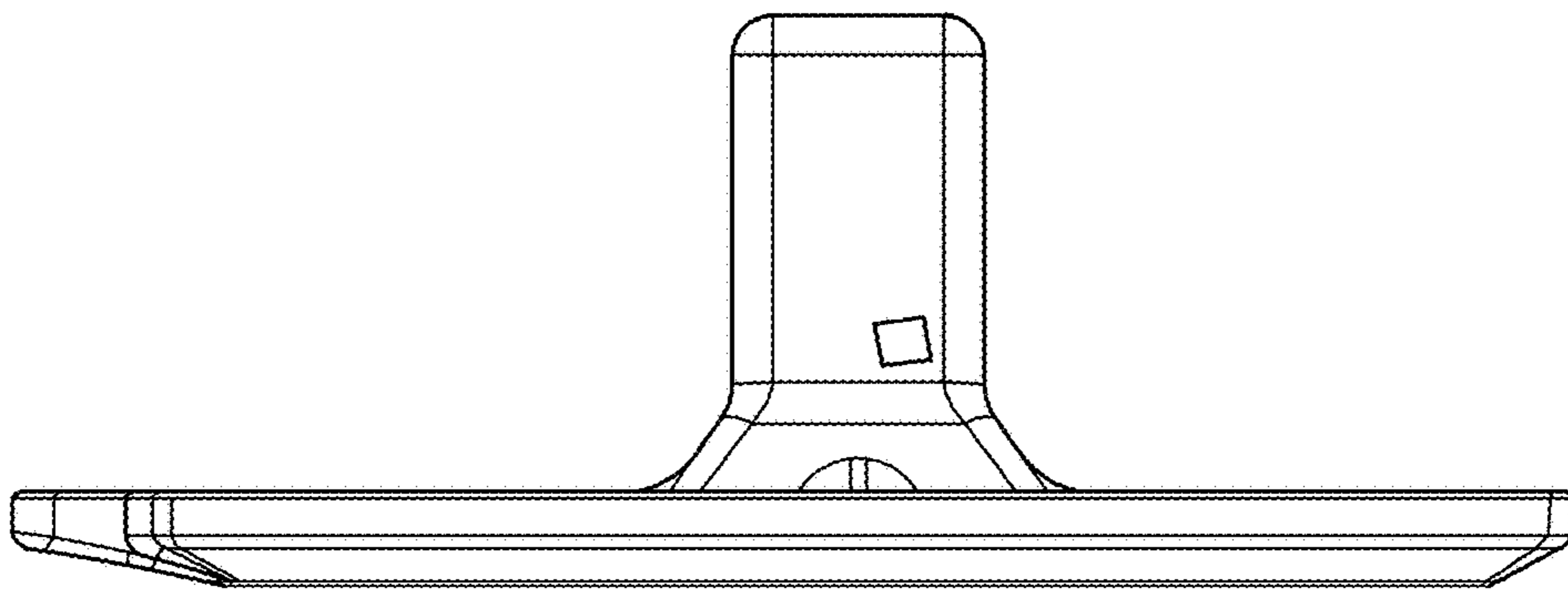


FIG. 6

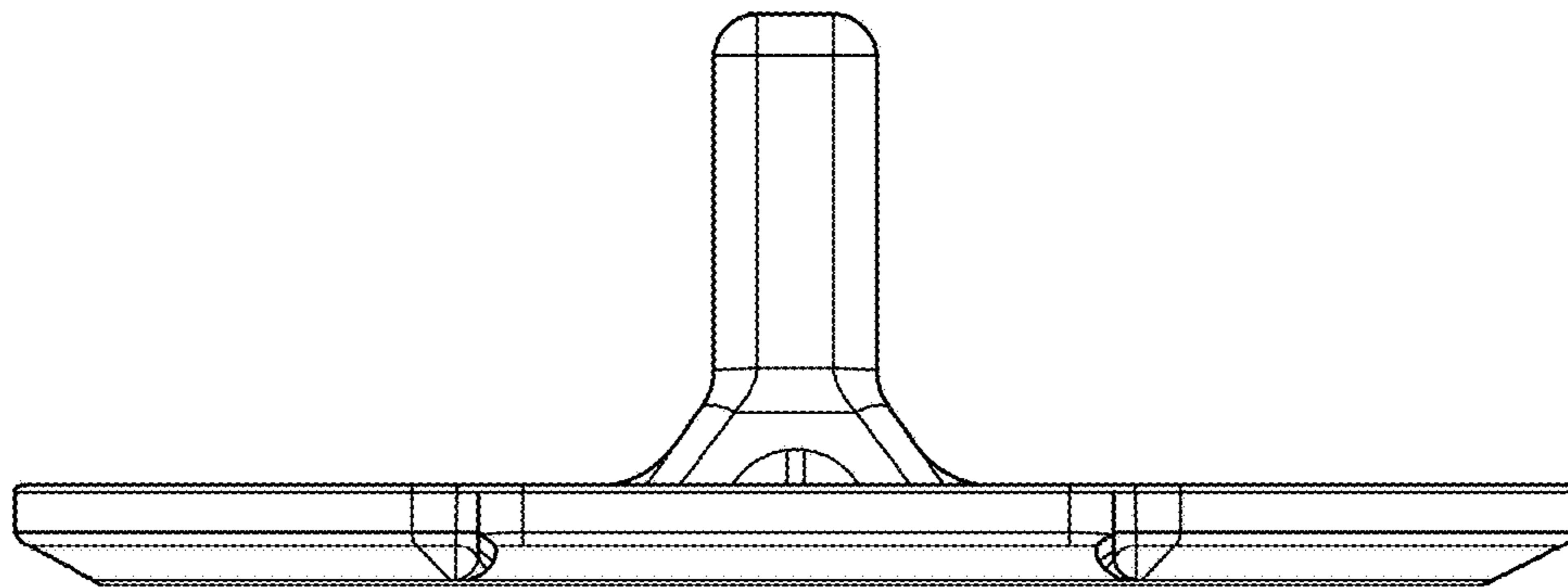


FIG. 7

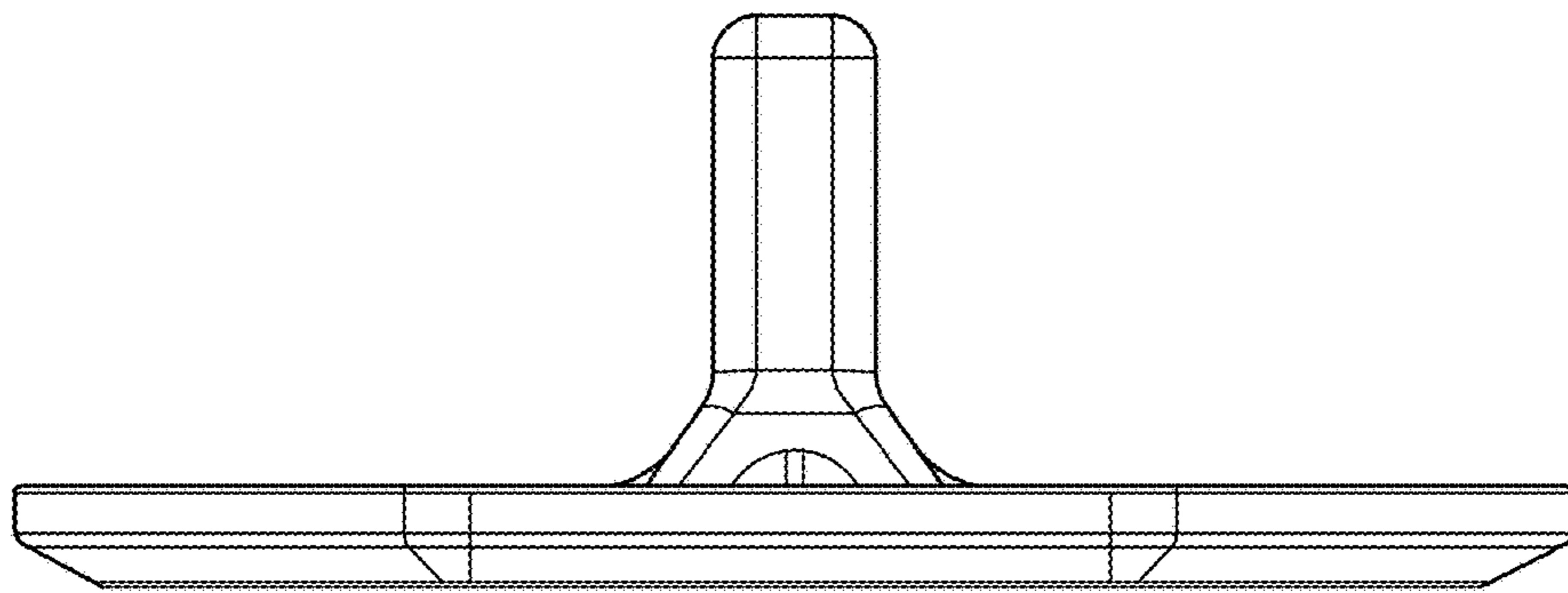




FIG. 8

