



US00D840199S

(12) **United States Design Patent** (10) **Patent No.:** **US D840,199 S**
Evans (45) **Date of Patent:** **** Feb. 12, 2019**

(54) **CUTTING BOARDS** D623,029 S * 9/2010 Russell, II D7/698
D630,478 S * 1/2011 Bell D7/698
(71) Applicant: **Joseph Joseph Ltd.**, London (GB) D665,635 S * 8/2012 Evans D7/698
D682,633 S * 5/2013 Evans B26B 29/063
D7/698
(72) Inventor: **Damian Evans**, England (GB) D689,750 S * 9/2013 Wang D7/698
D757,506 S * 5/2016 Evans D7/698
(73) Assignee: **JOSEPH JOSEPH LTD.**, London D759,442 S * 6/2016 Evans A21C 15/04
(GB) D7/698
D792,175 S * 7/2017 Evans B26B 29/06
D19/99
(**) Term: **15 Years**

(21) Appl. No.: **29/614,654**

(22) Filed: **Aug. 22, 2017**

(30) **Foreign Application Priority Data**

May 8, 2017 (EM) 003989029-0001

(51) **LOC (11) Cl.** **07-04**

(52) **U.S. Cl.**
USPC **D7/698**; D7/699

(58) **Field of Classification Search**
USPC D3/319; D7/543, 549, 550.1, 586, 673,
D7/698-699; D32/55-57
CPC A21C 15/04; A47J 47/00; A47J 47/005;
A47J 47/20; B26B 29/063; B26B 29/06;
B26D 7/0006; B26D 7/018; B26D 7/20;
B23D 21/00; B23K 37/04; B23K 37/053;
B23Q 16/001

See application file for complete search history.

(56) **References Cited**

U.S. PATENT DOCUMENTS

4,133,238 A * 1/1979 Jacobs B26B 29/063
83/466.1
D362,374 S * 9/1995 Roach D7/673
5,626,067 A * 5/1997 Lothe B26B 29/06
269/289 R
5,724,877 A * 3/1998 Kensrue A21C 15/04
83/454
D501,341 S * 2/2005 Cassidy D3/319

OTHER PUBLICATIONS

Caramella Bubble Index Cutting Board Set with Stand | Color Coded Chopping Board Set | Dishwasher Safe Non-slip Thick Antimicrobial Cutting Mats | Easy-access Draining Rack | Kitchen Decor & Best Gifts, Sep. 4, 2017; <https://www.amazon.com/dp/B075CZZ4PV>.*

(Continued)

Primary Examiner — Ricky Pham
(74) *Attorney, Agent, or Firm* — Millen, White, Zelano & Branigan, PC

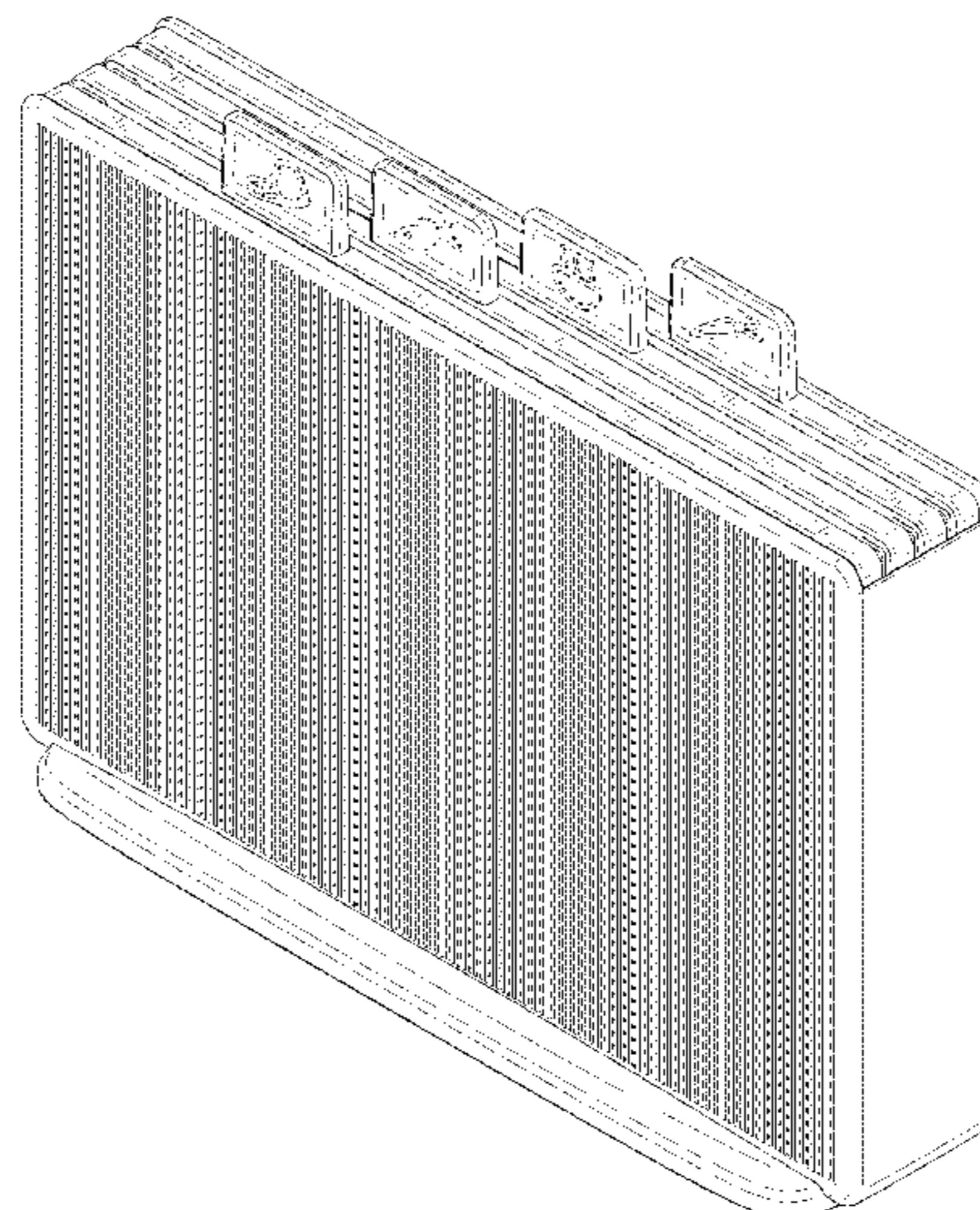
(57) **CLAIM**

The ornamental design for cutting boards, as shown and described.

DESCRIPTION

FIG. 1 is a top perspective view of the cutting boards showing my new design.
FIG. 2 is a front view thereof.
FIG. 3 is a back view thereof.
FIG. 4 is a side view thereof.
FIG. 5 is another side view thereof.
FIG. 6 is a top view thereof; and,
FIG. 7 is a bottom view thereof.
The broken lines in the drawings illustrate portions of the cutting boards which form no part of the claimed design.

1 Claim, 7 Drawing Sheets



(56)

References Cited

OTHER PUBLICATIONS

Servappetit Color Index Cutting Boards; <https://www.amazon.com/Servappetit-Color-Index-Cutting-Boards>; Oct. 5, 2017.*

* cited by examiner

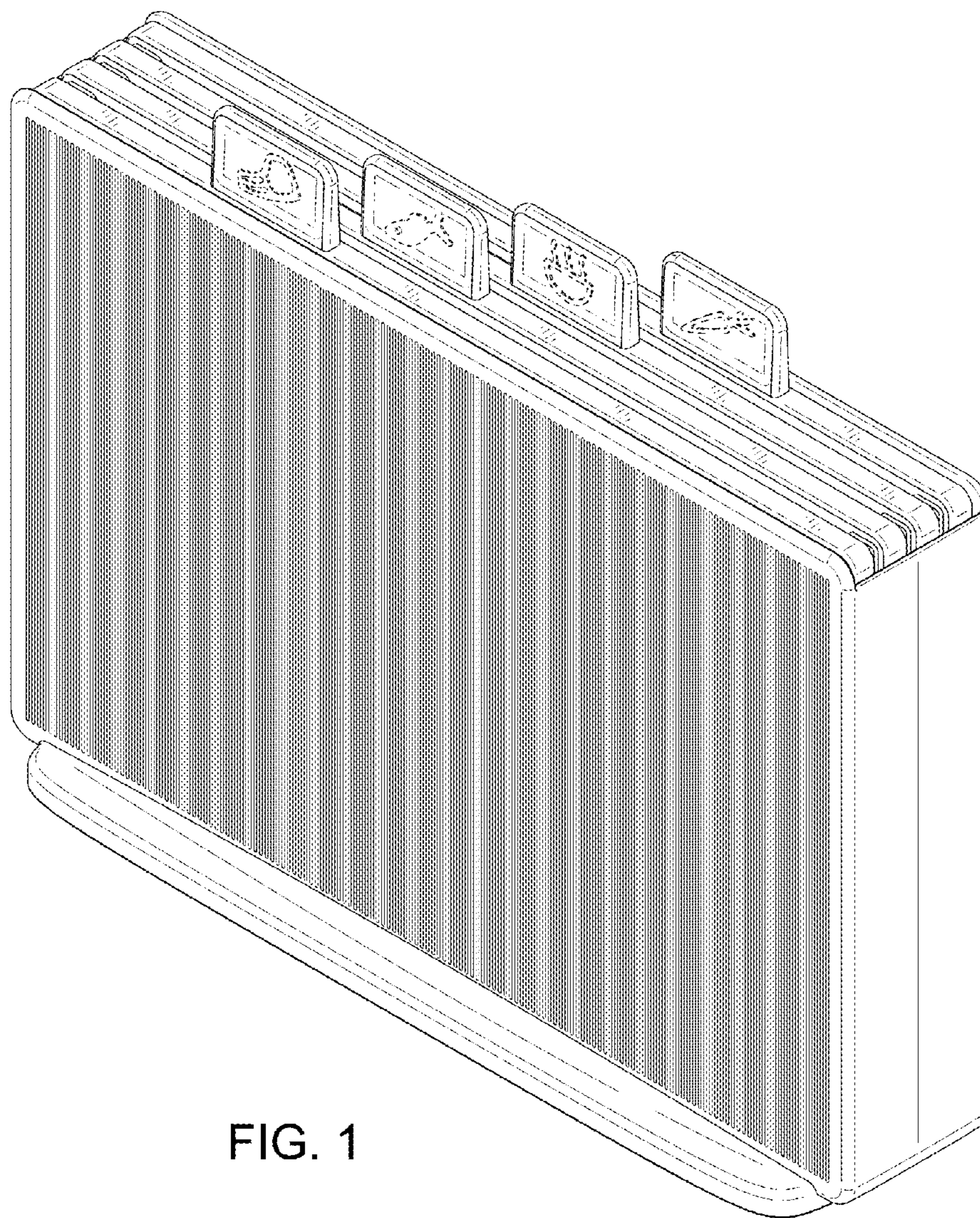


FIG. 1

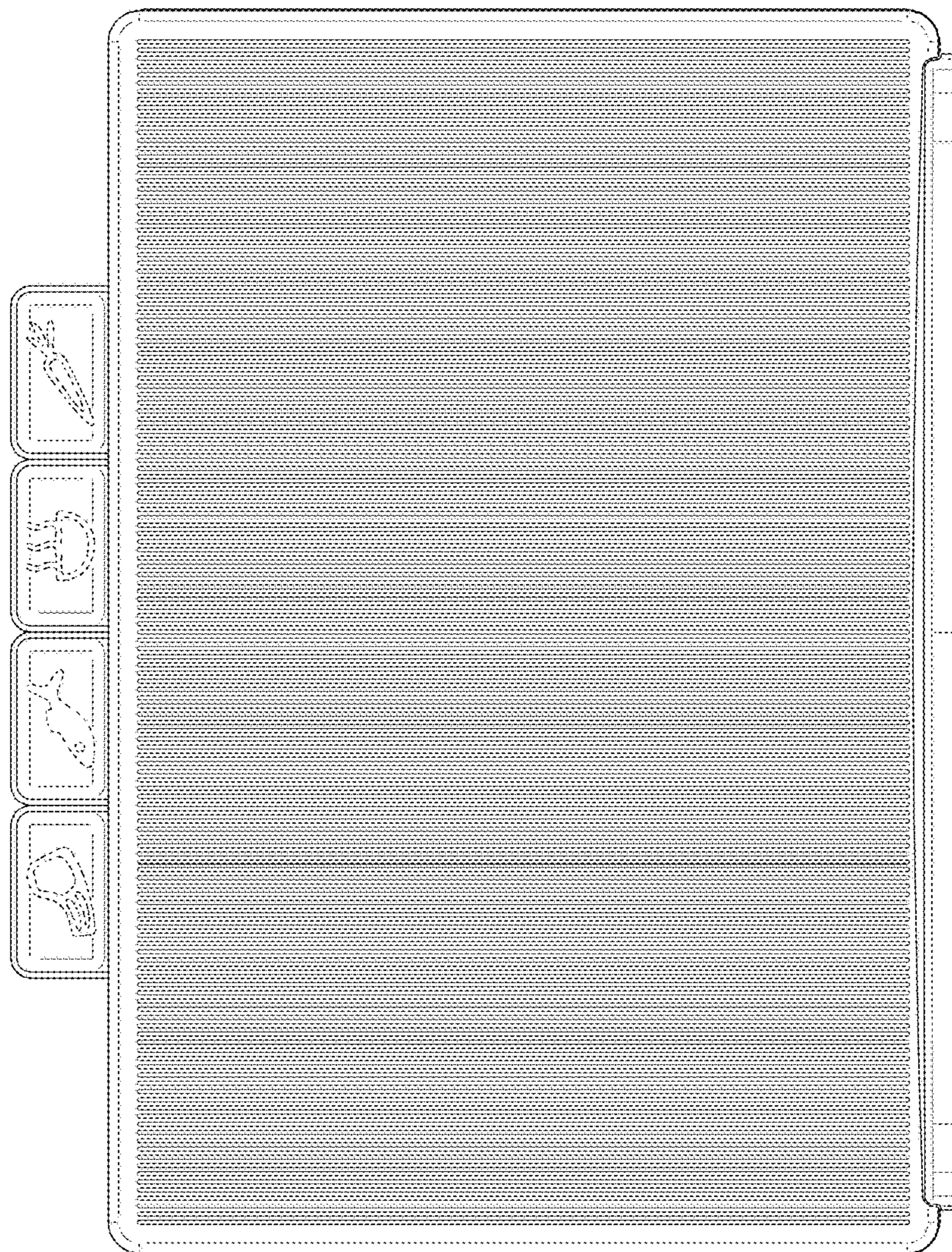


FIG. 2

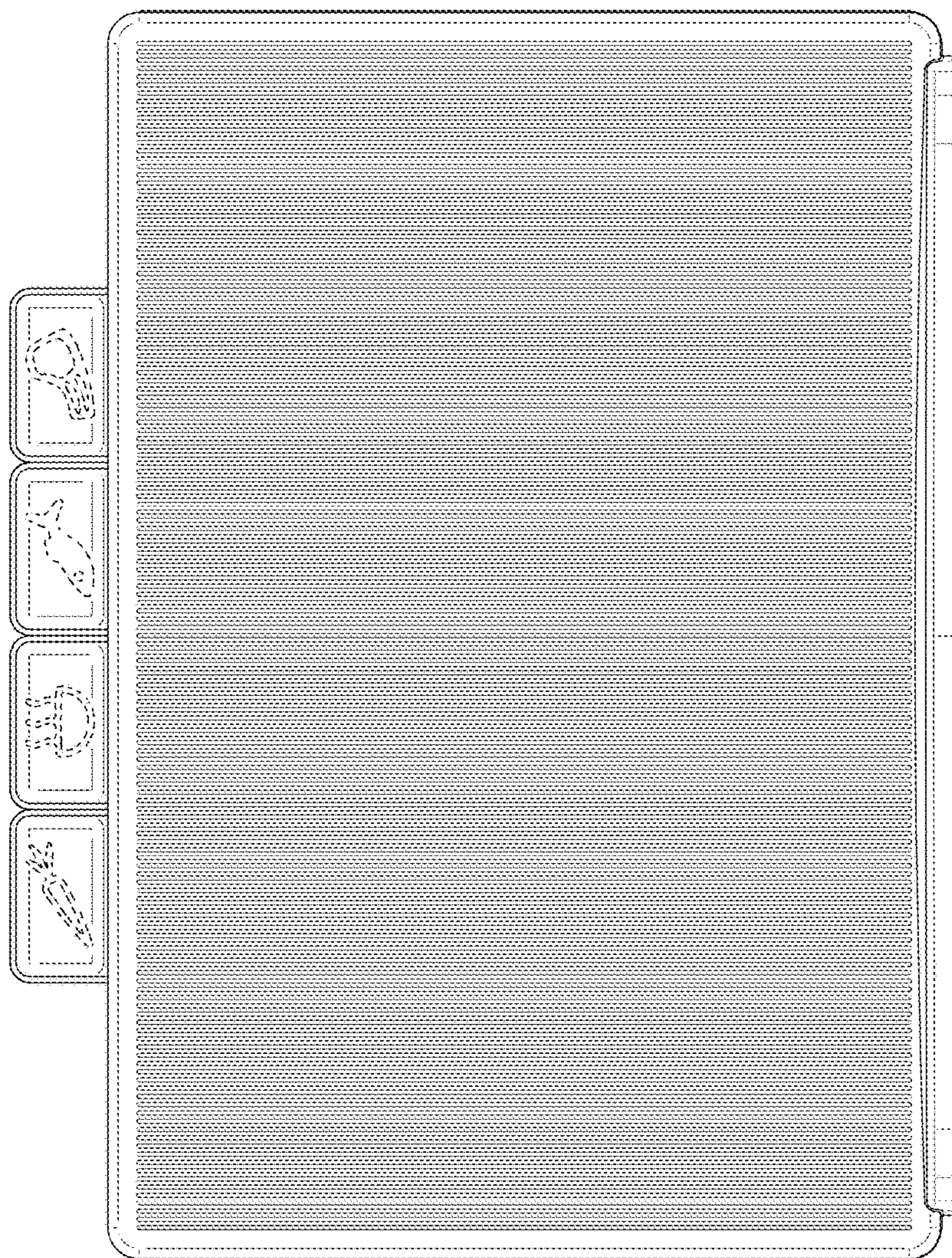


FIG. 3



FIG. 4



FIG. 5

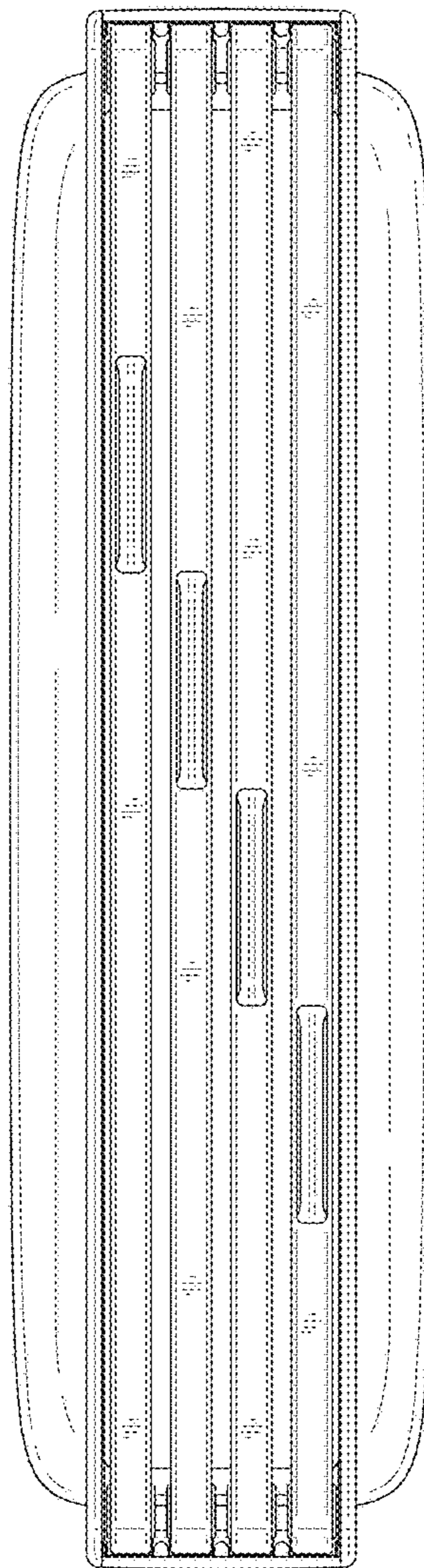


FIG. 6

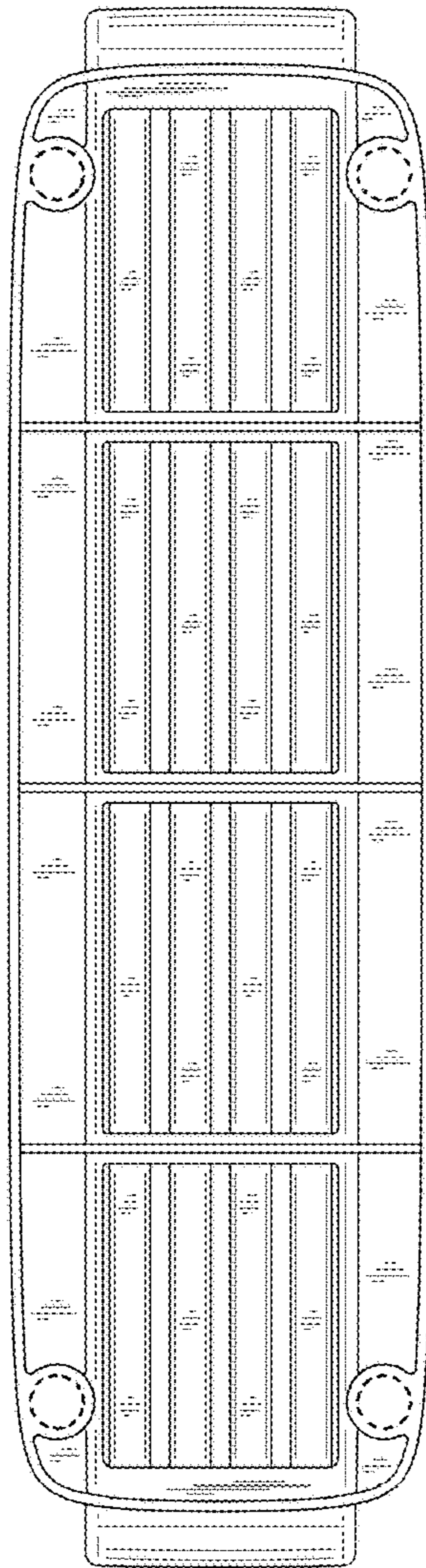


FIG. 7