



US00D840197S

(12) **United States Design Patent** (10) **Patent No.:** **US D840,197 S**  
**Lee et al.** (45) **Date of Patent:** **\*\* Feb. 12, 2019**

(54) **COLANDER**

(71) Applicant: **Robinson Home Products Inc.**,  
Williamsville, NY (US)

(72) Inventors: **Stuart Harvey Lee**, Forest Hills, NY  
(US); **Adrian Candela**, Long Island  
City, NY (US)

(73) Assignee: **Robinson Home Products Inc.**,  
Williamsville, NY (US)

(\*\*) Term: **15 Years**

(21) Appl. No.: **29/625,007**

(22) Filed: **Nov. 6, 2017**

(51) **LOC (11) Cl.** ..... **07-04**

(52) **U.S. Cl.**  
USPC ..... **D7/667**

(58) **Field of Classification Search**  
USPC ..... D7/667, 668, 368, 669, 584, 586, 587  
(Continued)

(56) **References Cited**

U.S. PATENT DOCUMENTS

7,678,271 B2 \* 3/2010 Curtin ..... A47J 43/22  
141/337  
D749,373 S \* 2/2016 Tsui ..... D7/665  
(Continued)

*Primary Examiner* — Terry A Wallace

(74) *Attorney, Agent, or Firm* — Florek & Endres PLLC

(57) **CLAIM**

We claim the ornamental design for a colander, as shown  
and described.

**DESCRIPTION**

FIG. 1 is a top perspective view of an embodiment of the  
colander of the present invention.

FIG. 2 is a side elevation of the embodiment of the colander  
of the present invention shown in FIG. 1, where the front  
side, back side, left side and right side are all the same.

FIG. 3 is a top plan view of the embodiment of the colander  
of the present invention shown in FIG. 1.

FIG. 4 is a bottom plan view of the embodiment of the  
colander of the present invention shown in FIG. 1.

FIG. 5 is a bottom perspective view of the embodiment of  
the colander of the present invention shown in FIG. 1.

FIG. 6 is a top perspective view of an alternative embodi-  
ment of the colander of the present invention.

FIG. 7 is a side elevation of the embodiment of the colander  
of the present invention shown in FIG. 6, where the front  
side, back side, left side and right side are all the same.

FIG. 8 is a top plan view of the embodiment of the colander  
of the present invention shown in FIG. 6.

FIG. 9 is a bottom plan view of the embodiment of the  
colander of the present invention shown in FIG. 6.

FIG. 10 is a bottom perspective view of the embodiment of  
the colander of the present invention shown in FIG. 6.

FIG. 11 is a top perspective view of another alternative  
embodiment of the colander of the present invention.

FIG. 12 is a side elevation of the embodiment of the colander  
of the present invention shown in FIG. 11, where the front  
side, back side, left side and right side are all the same.

FIG. 13 is a top plan view of the embodiment of the colander  
of the present invention shown in FIG. 11.

FIG. 14 is a bottom plan view of the embodiment of the  
colander of the present invention shown in FIG. 11.

FIG. 15 is a bottom perspective view of the embodiment of  
the colander of the present invention shown in FIG. 11.

FIG. 16 is a top perspective view of an additional embodi-  
ment of the colander of the present invention.

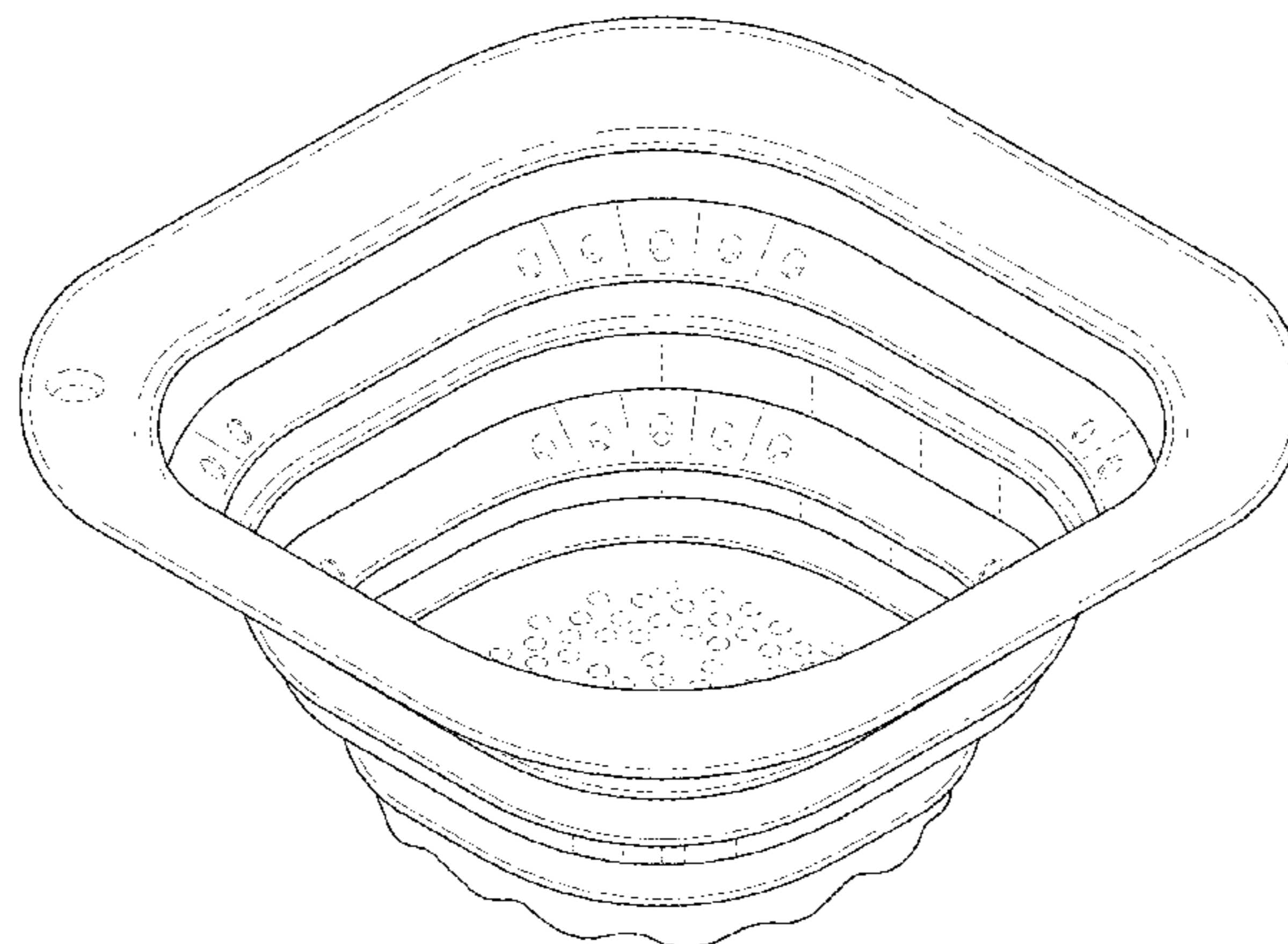
FIG. 17 is a side elevation of the embodiment of the colander  
of the present invention shown in FIG. 16, where the front  
side, back side, left side and right side are all the same.

FIG. 18 is a top plan view of the embodiment of the colander  
of the present invention shown in FIG. 16.

FIG. 19 is a bottom plan view of the embodiment of the  
colander of the present invention shown in FIG. 16; and,

FIG. 20 is a bottom perspective view of the embodiment of  
the colander of the present invention shown in FIG. 16.

(Continued)



The multiple embodiments presented in FIGS. 1-20 of this application involve a single inventive concept and comprise a single patentable design, as contemplated by the MPEP Section No. 1504.05.

The broken lines in the drawings represent unclaimed features.

**1 Claim, 20 Drawing Sheets**

(58) **Field of Classification Search**

CPC .. A47J 27/16; A47J 31/06; A47J 43/24; A47J  
43/00; A47J 42/28; A47J 42/286; A47J  
36/20; A47J 36/22

See application file for complete search history.

(56) **References Cited**

U.S. PATENT DOCUMENTS

D754,494 S \* 4/2016 Schuler ..... D7/667  
D754,495 S \* 4/2016 Cotter ..... D7/667  
2005/0127074 A1\* 6/2005 Kusuma ..... B65D 21/086  
220/6  
2007/0251874 A1\* 11/2007 Stewart ..... A47J 43/22  
210/232

\* cited by examiner

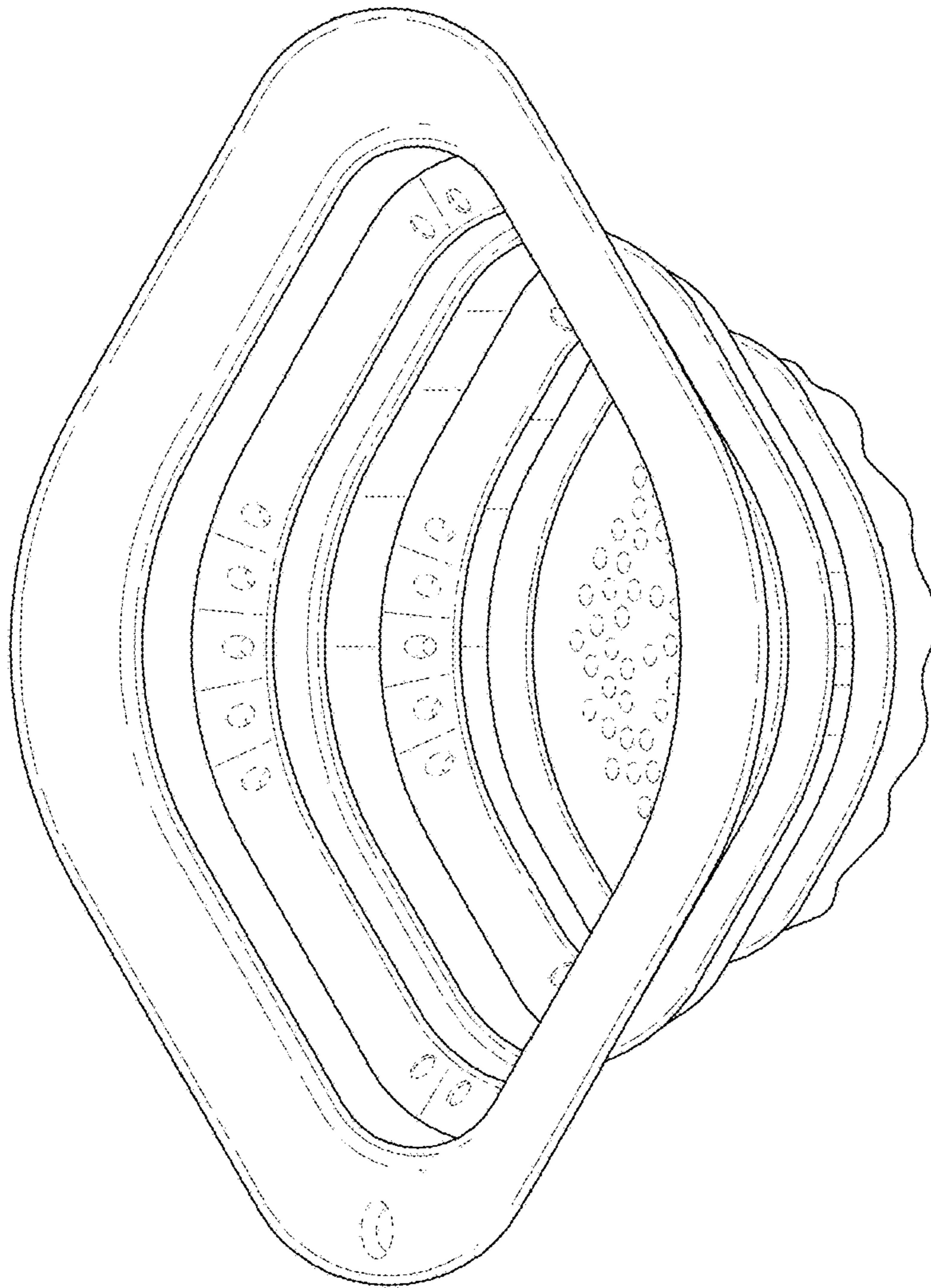


FIG. 1

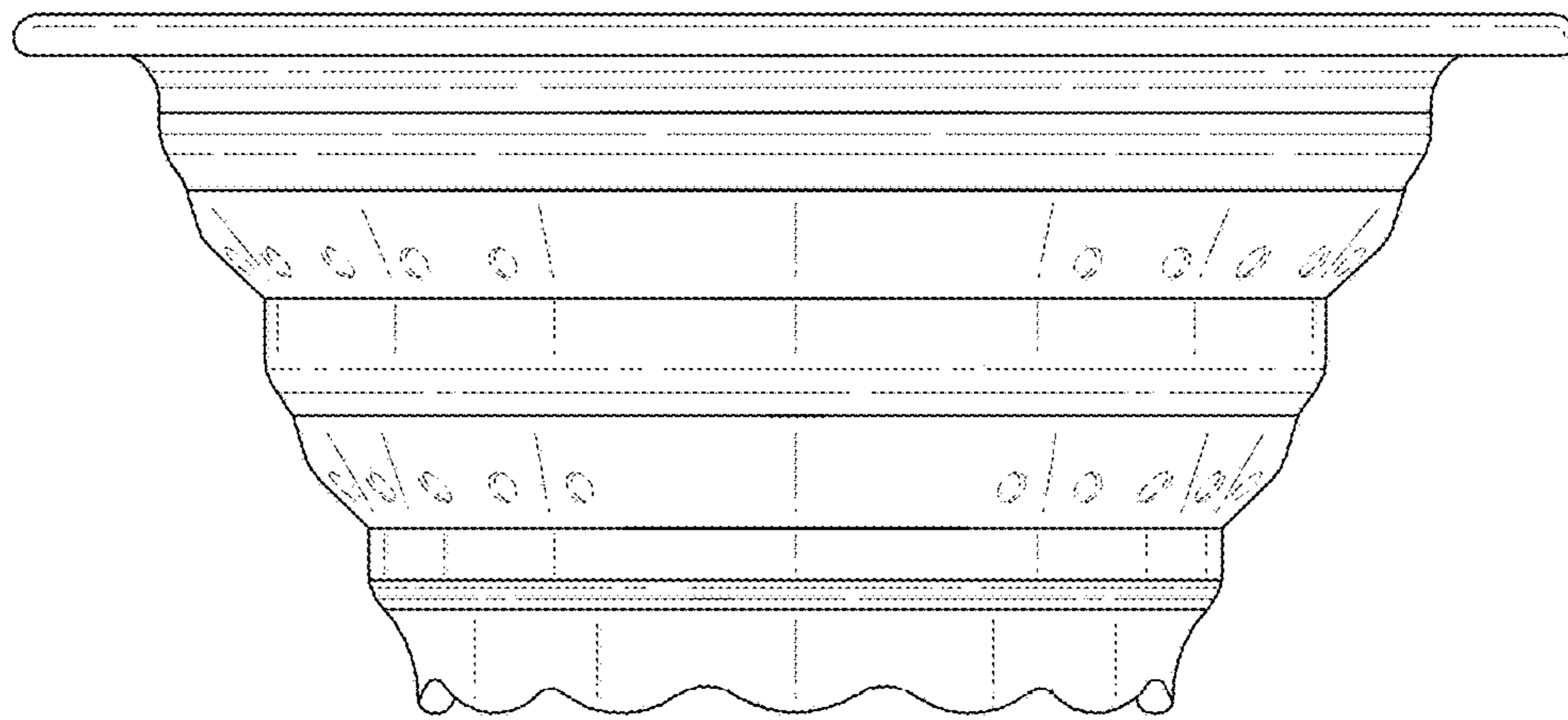


FIG. 2

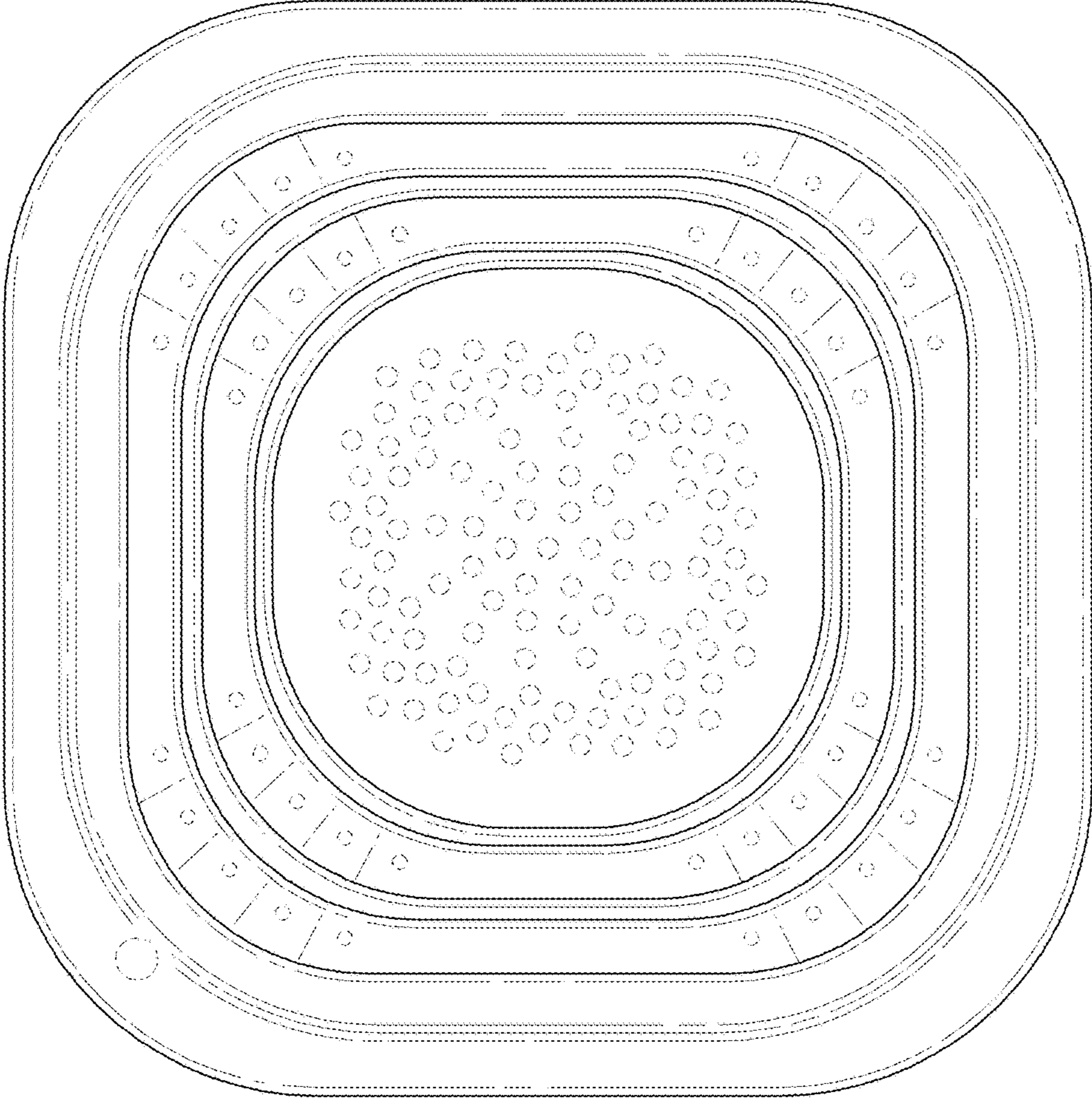


FIG. 3

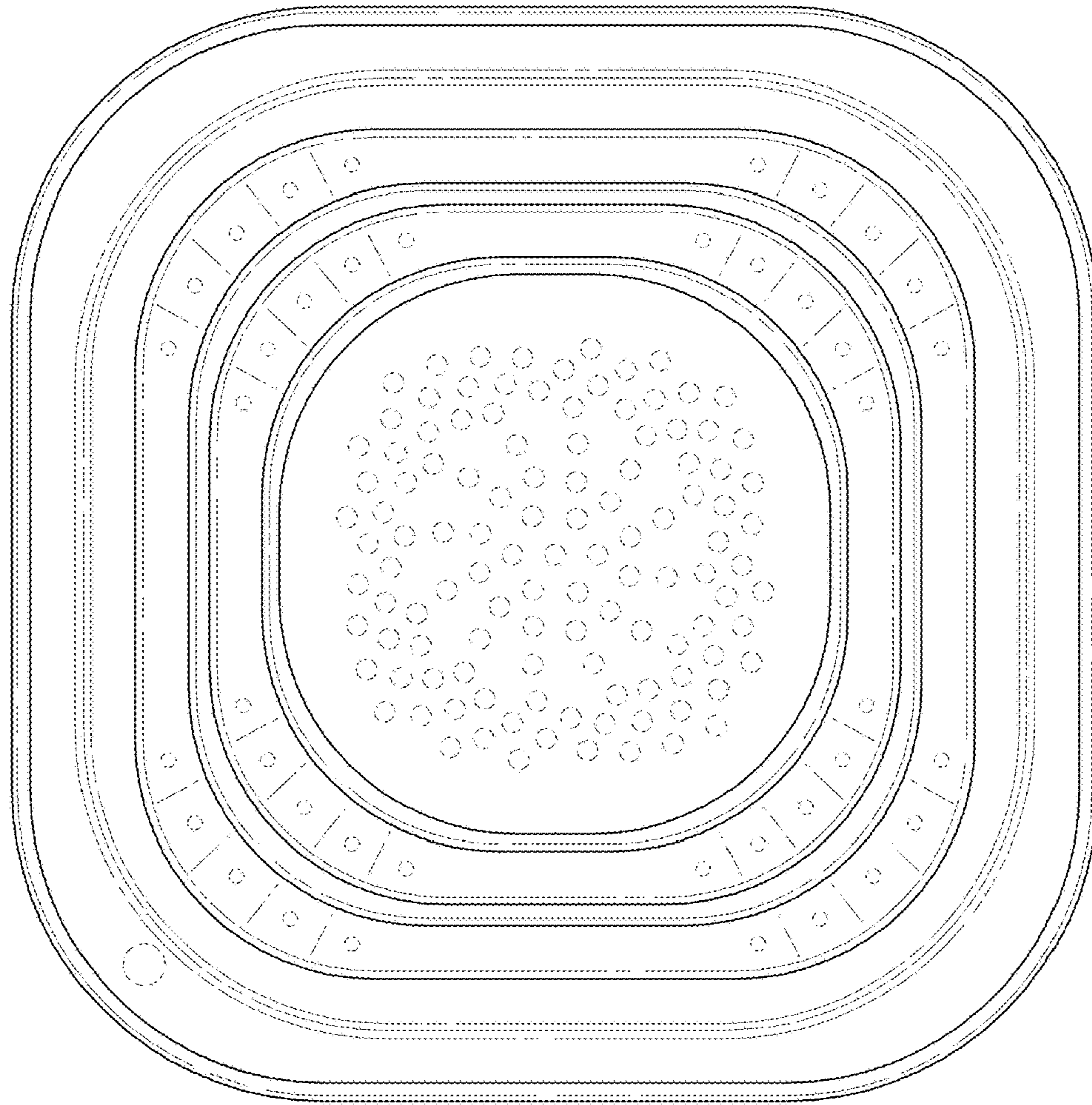


FIG. 4

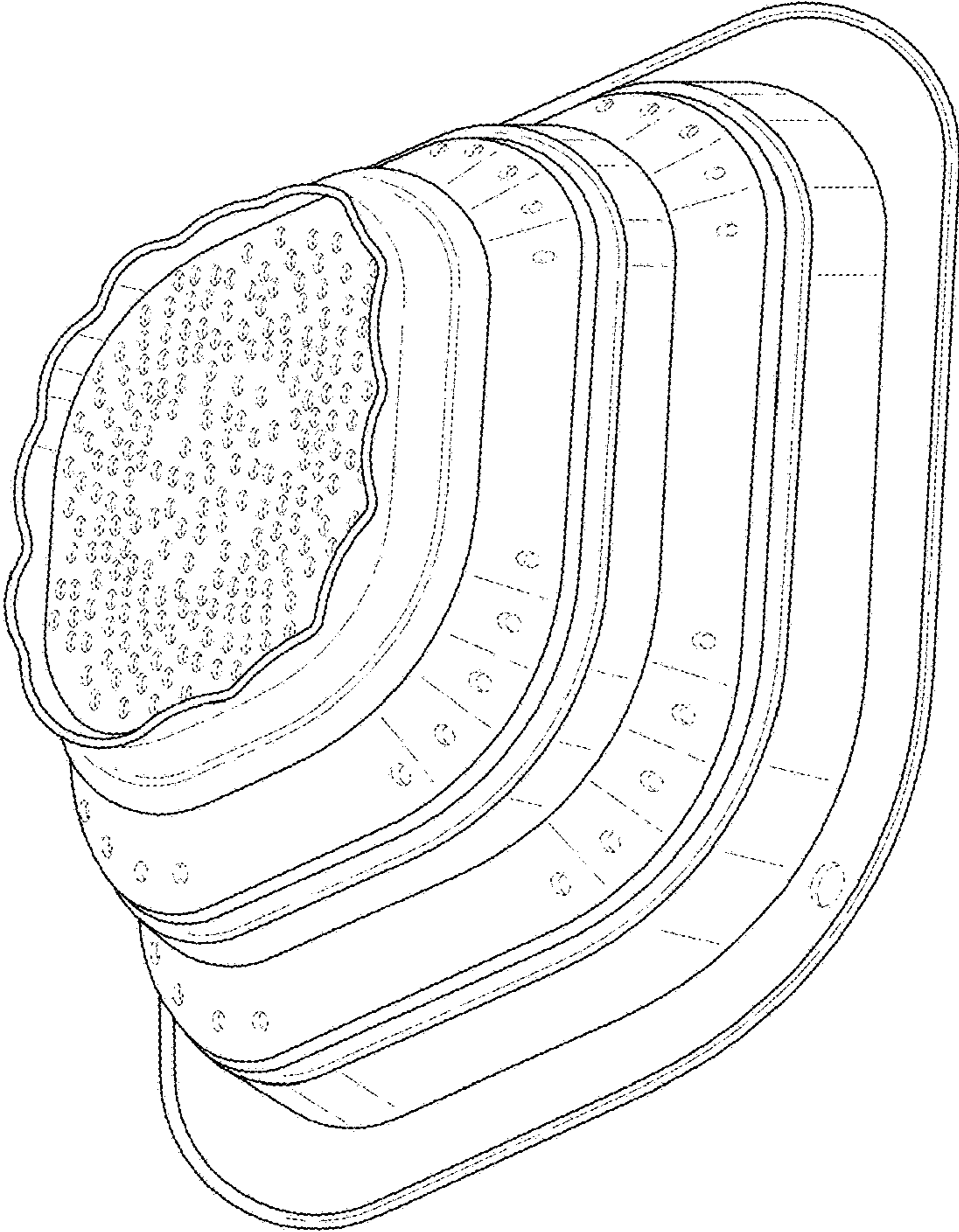


FIG. 5

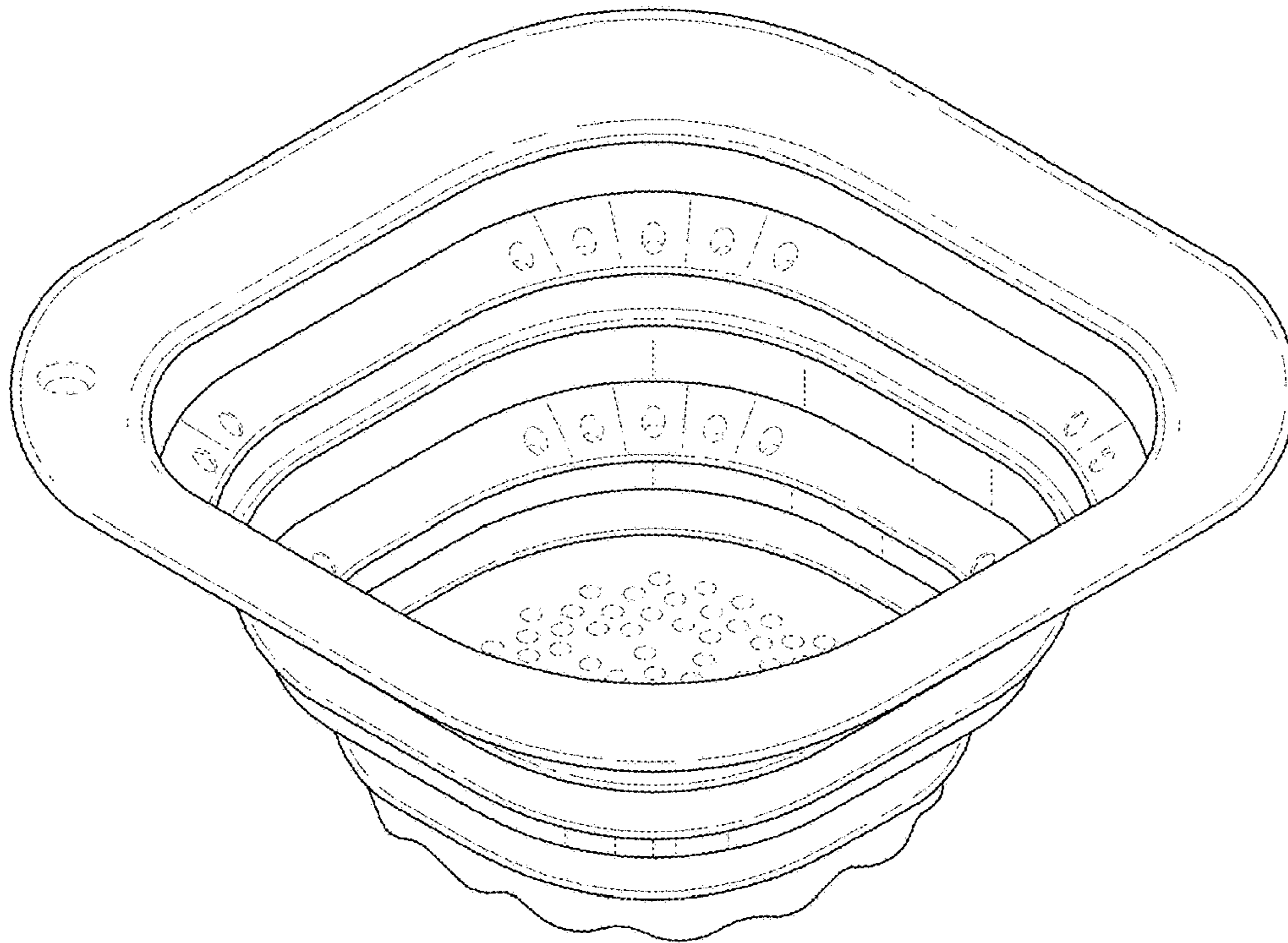


FIG. 6



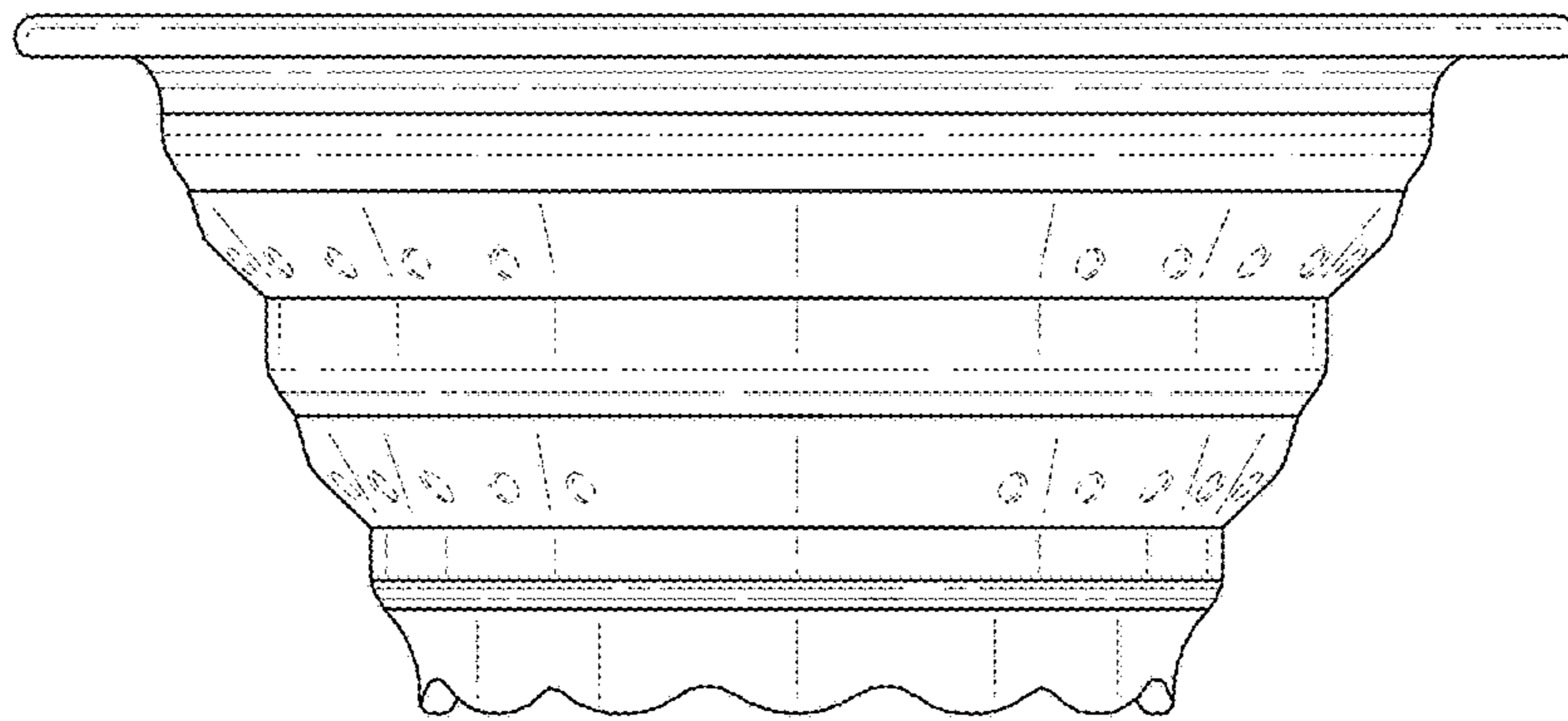


FIG. 7

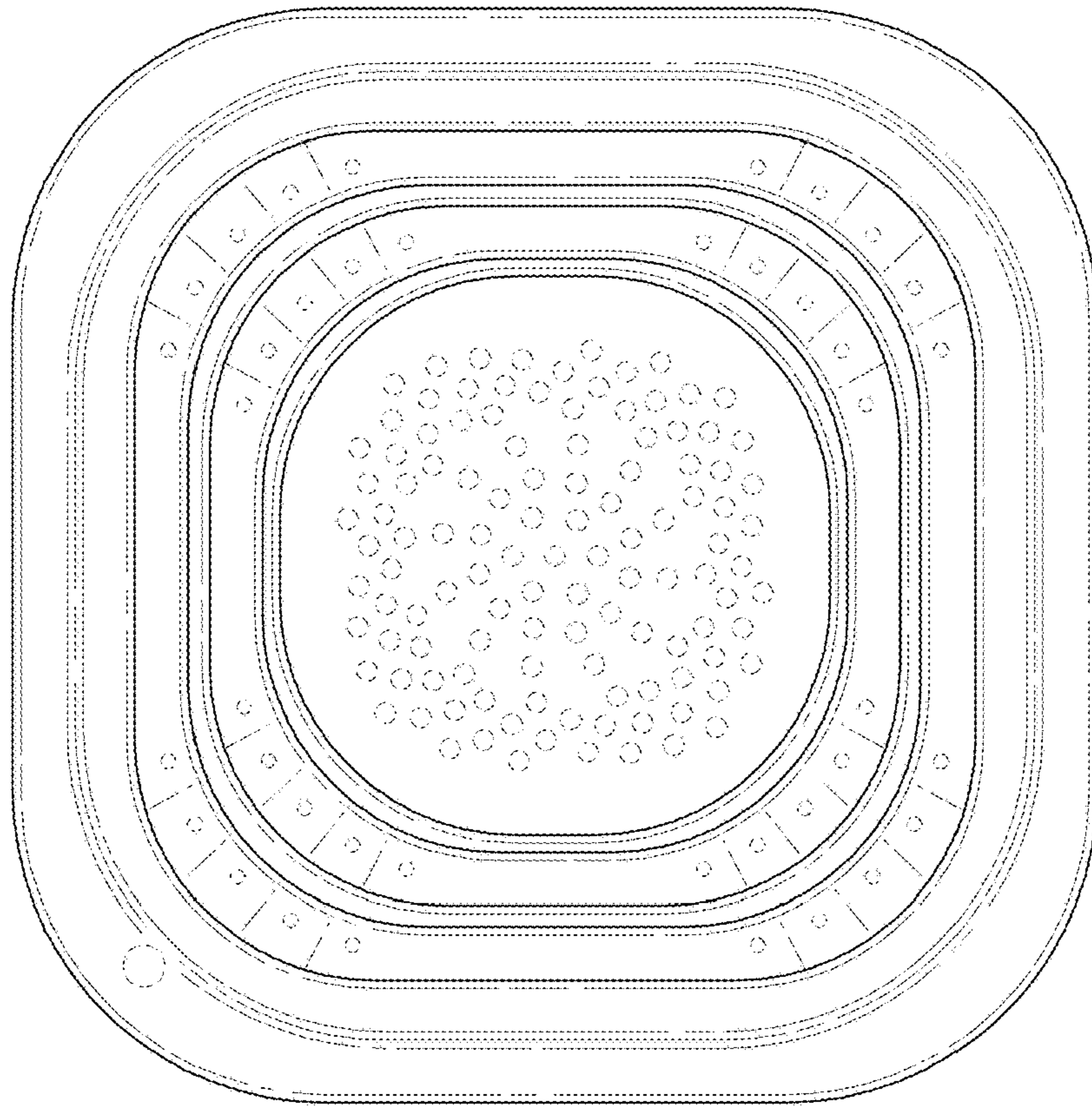


FIG. 8

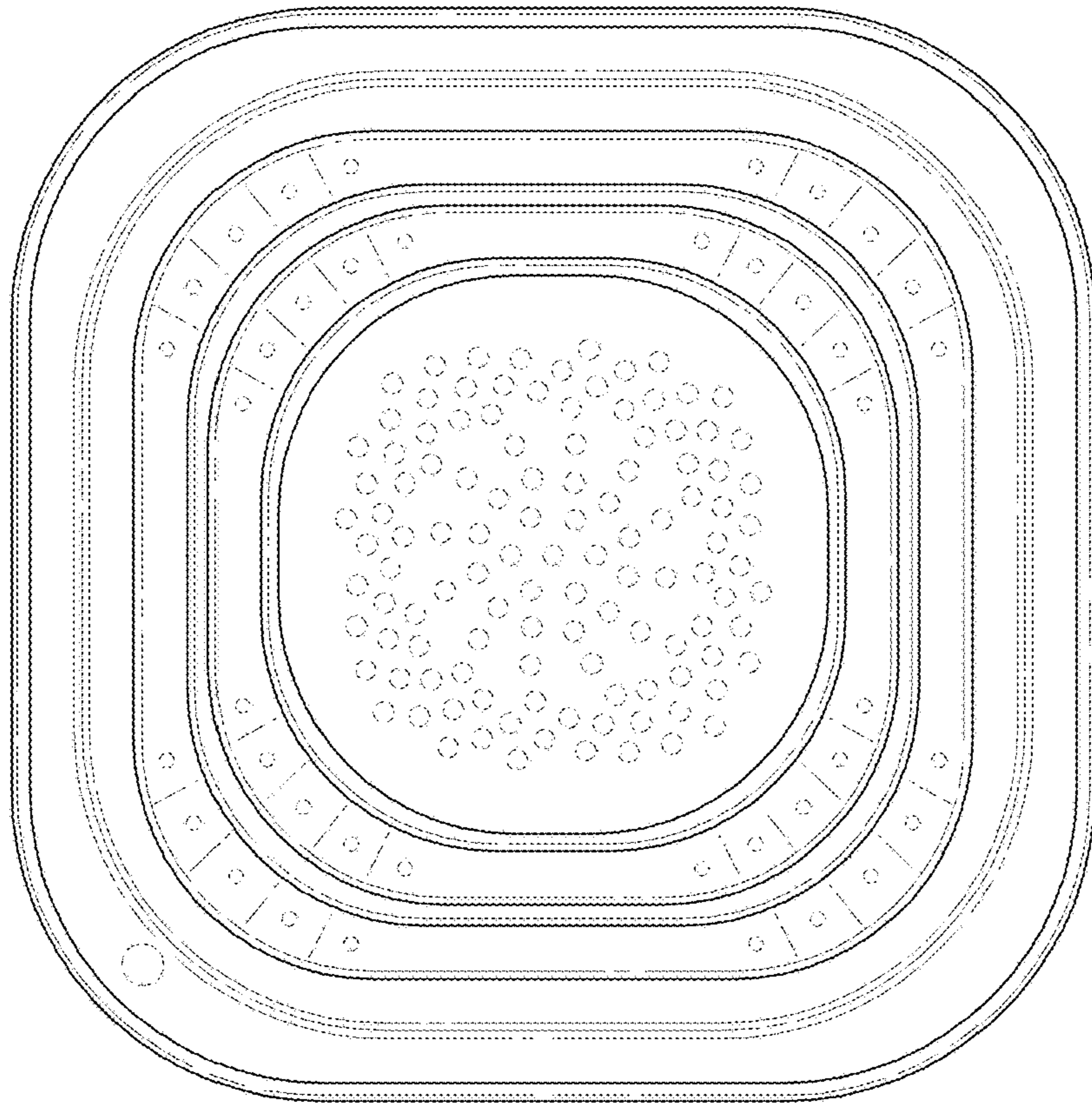


FIG. 9

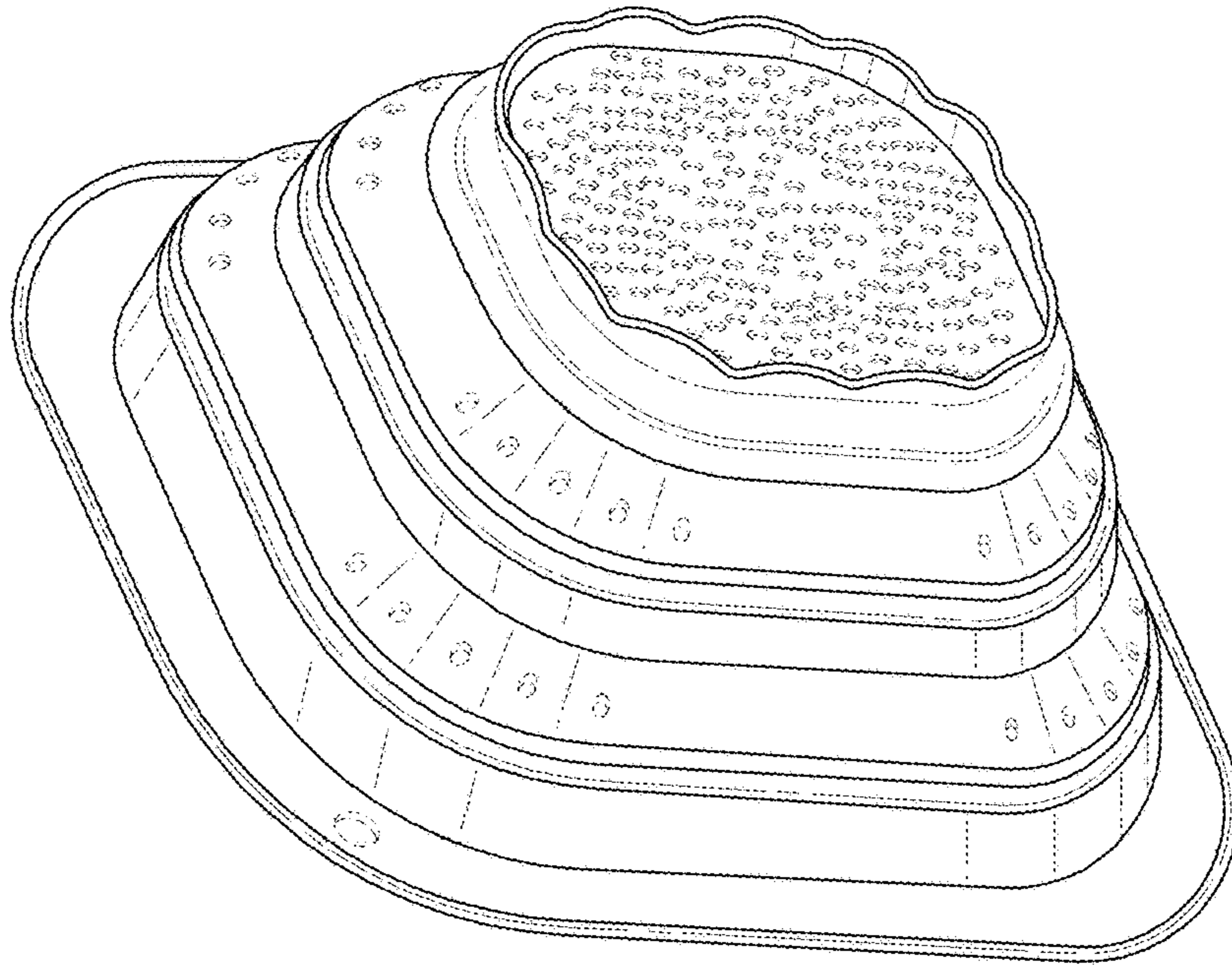


FIG. 10

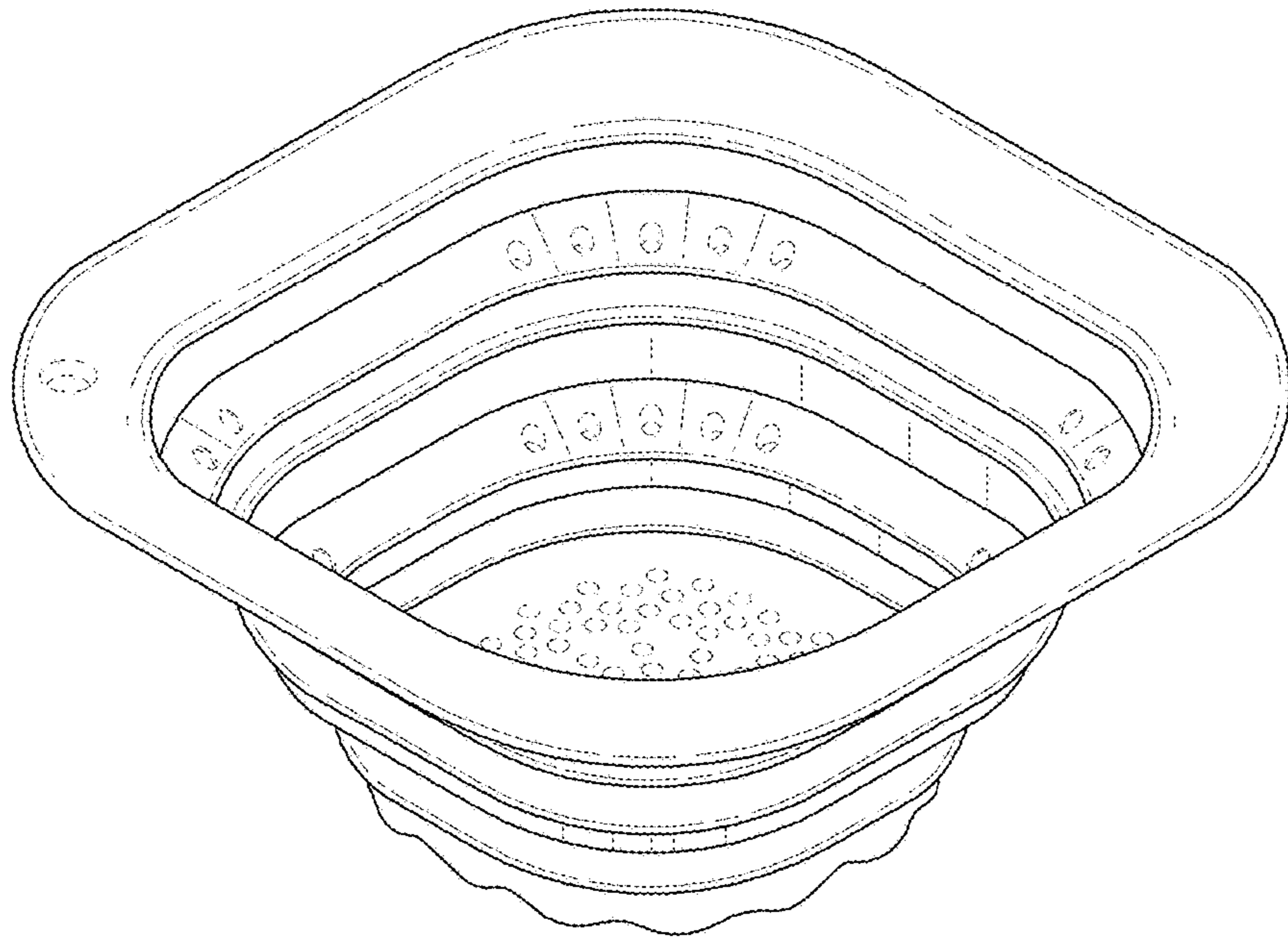


FIG. 11

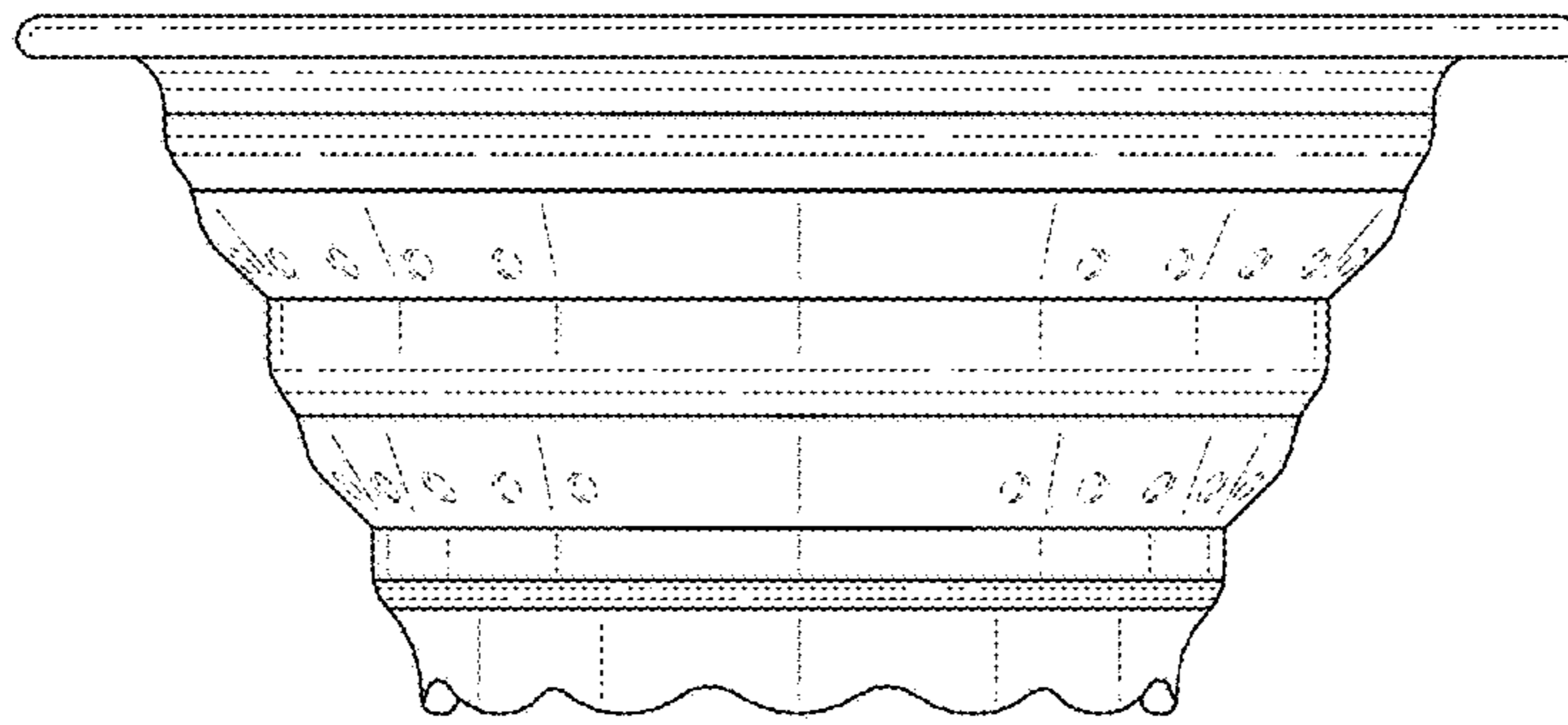


FIG. 12

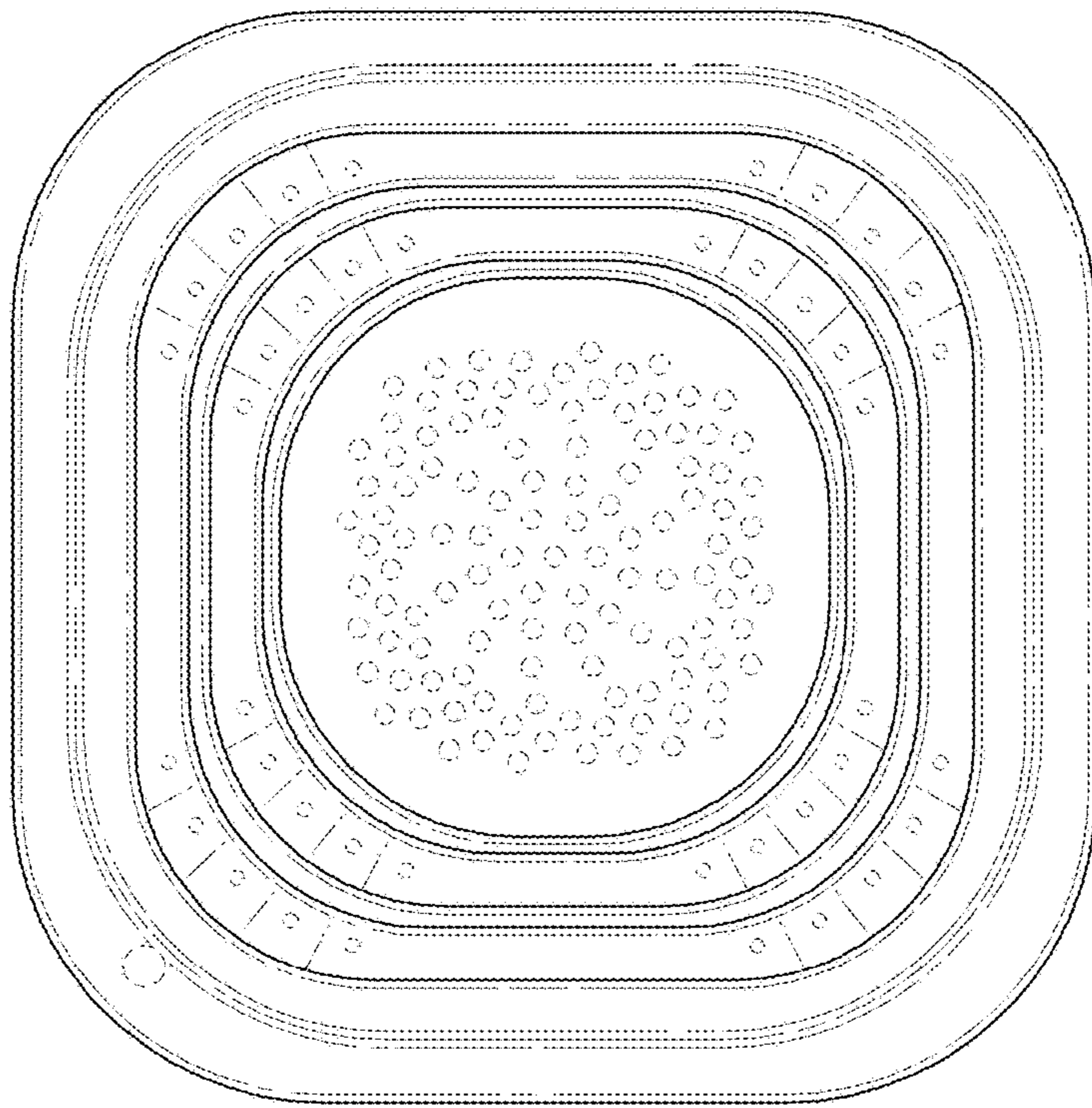


FIG. 13

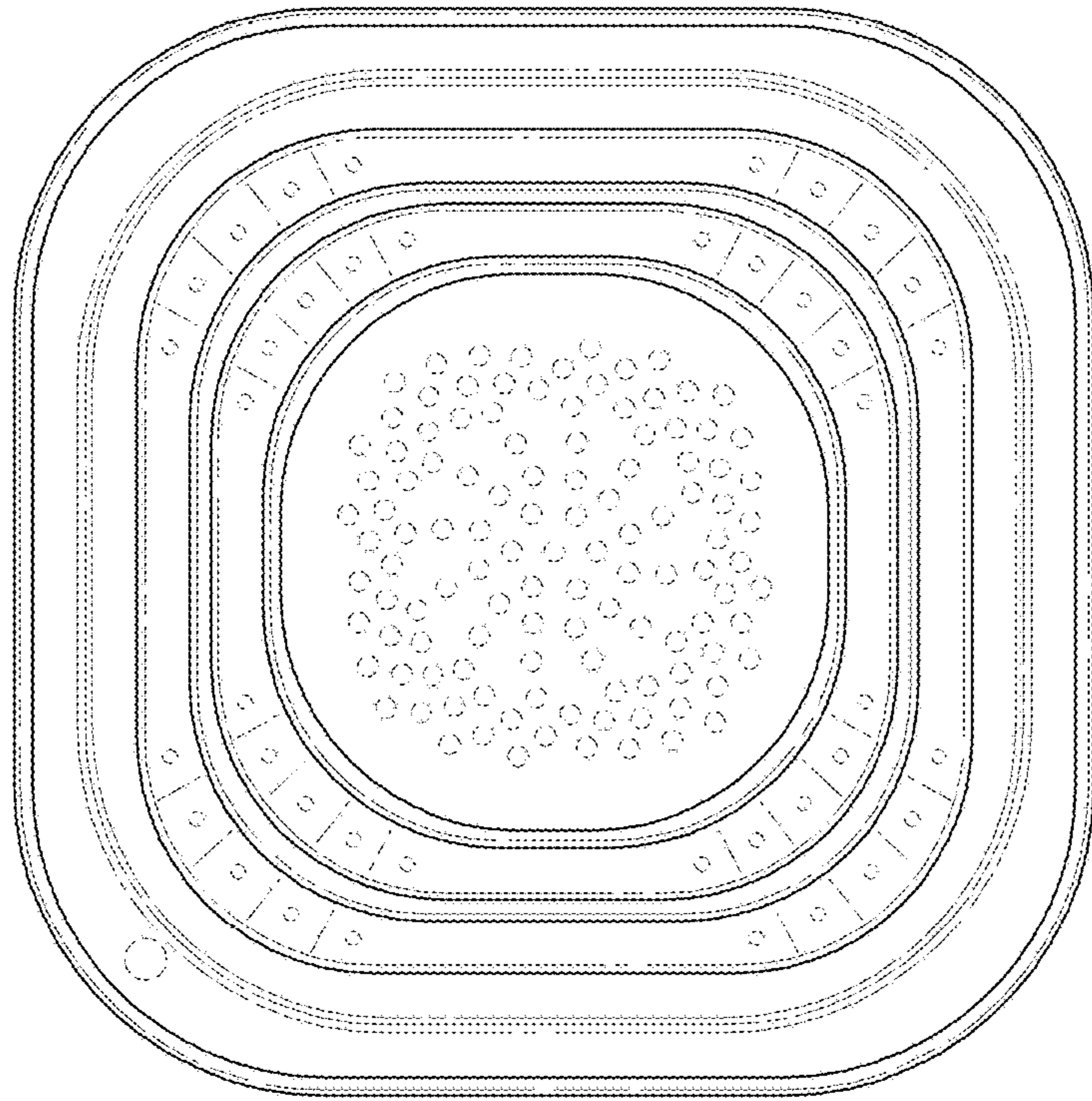


FIG. 14



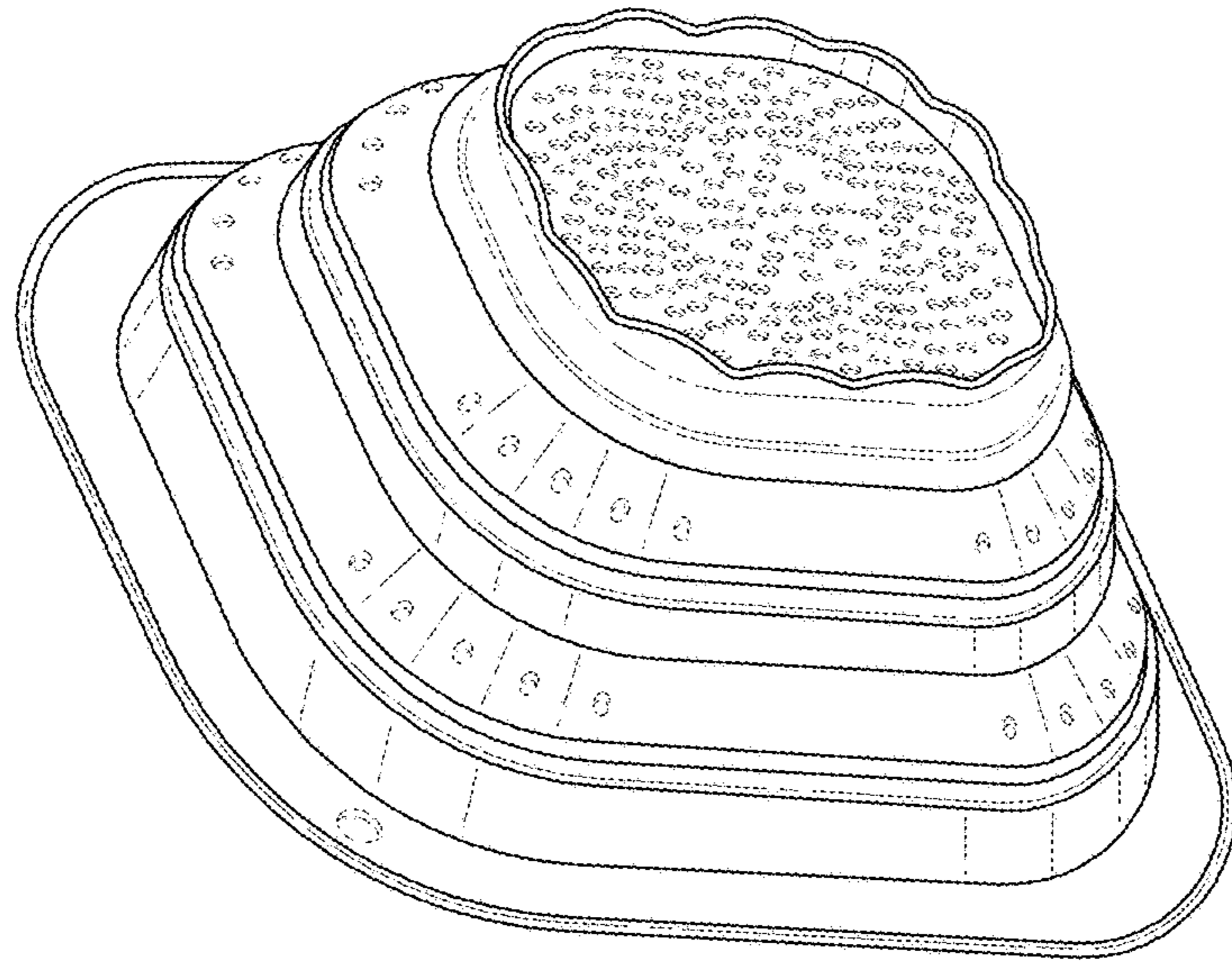


FIG. 15

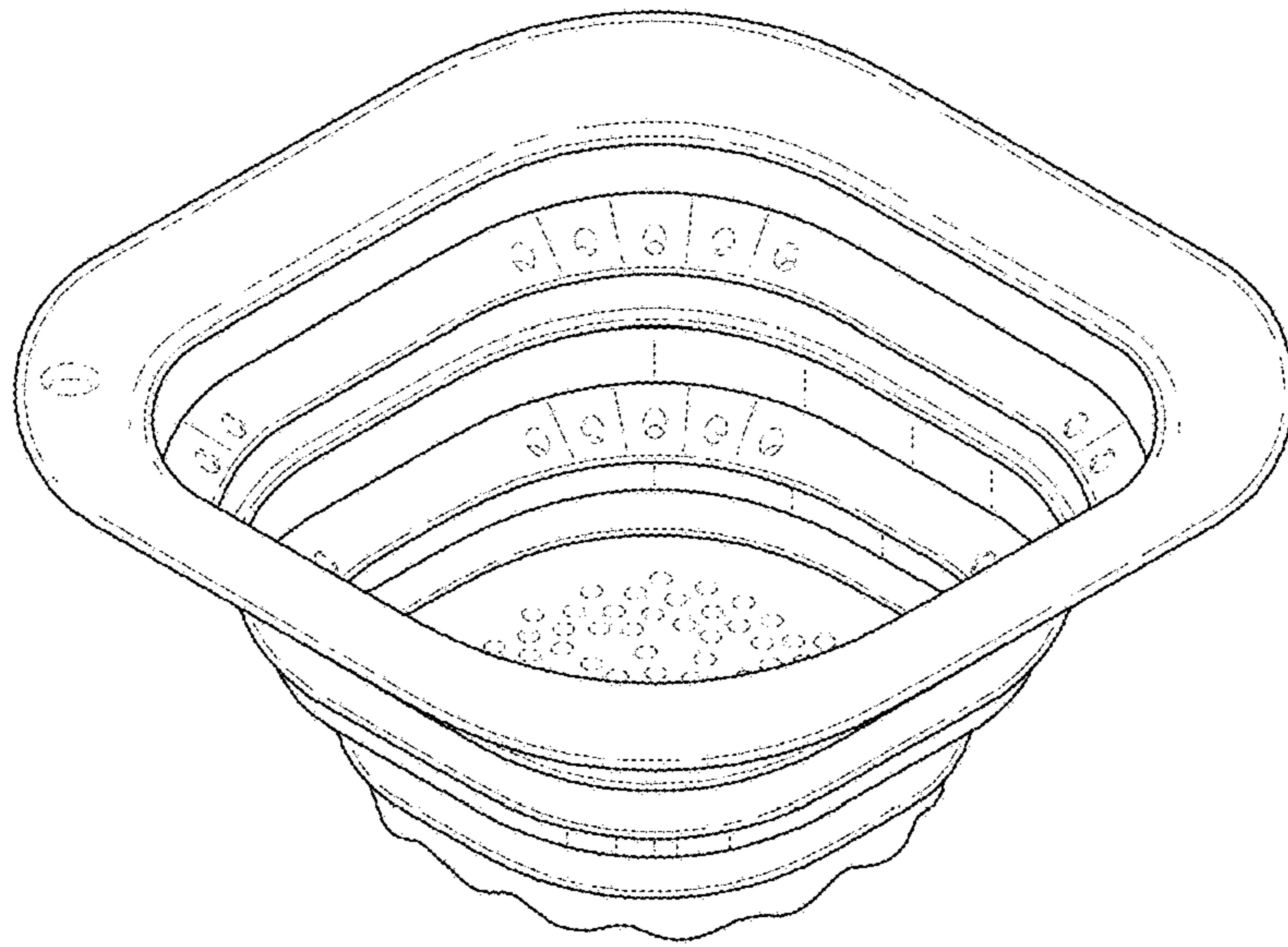


FIG. 16

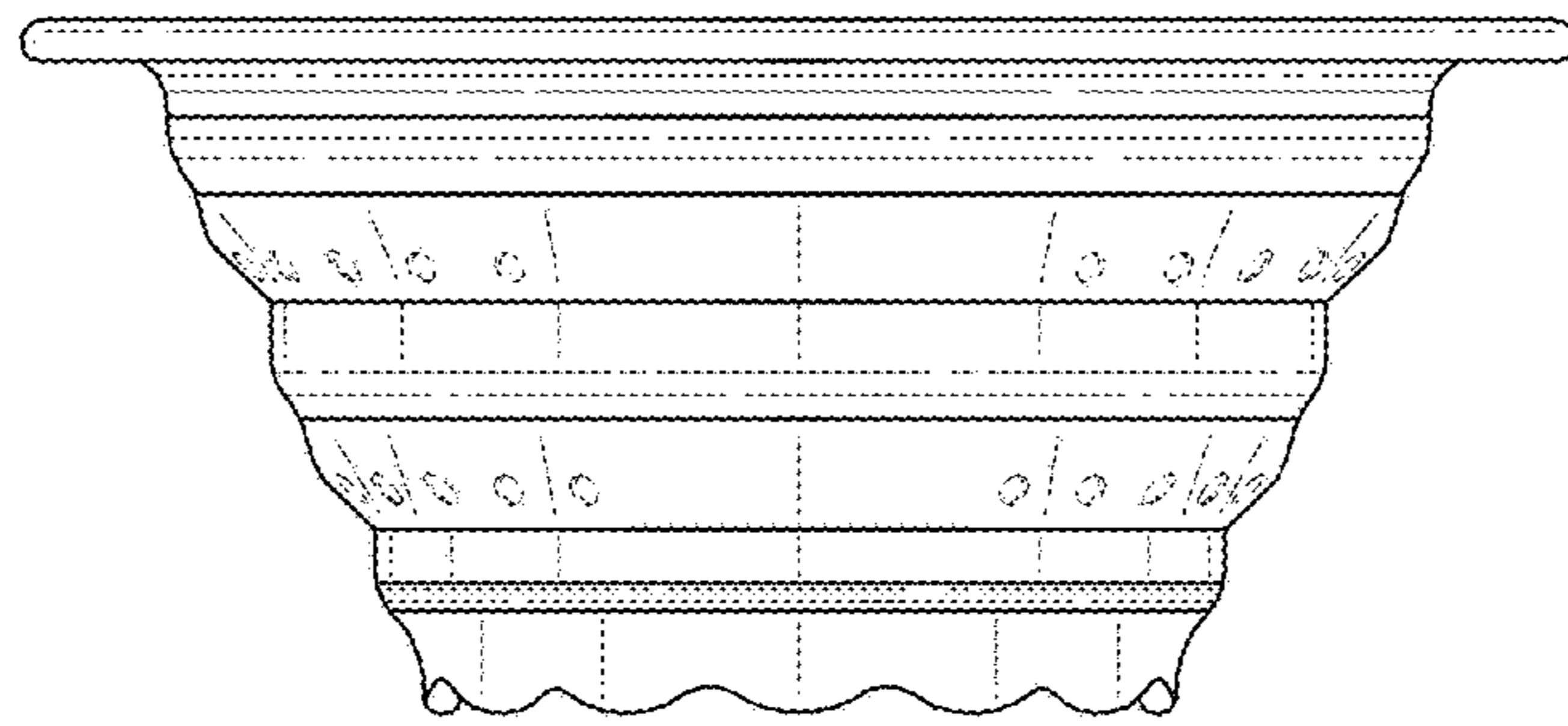


FIG. 17

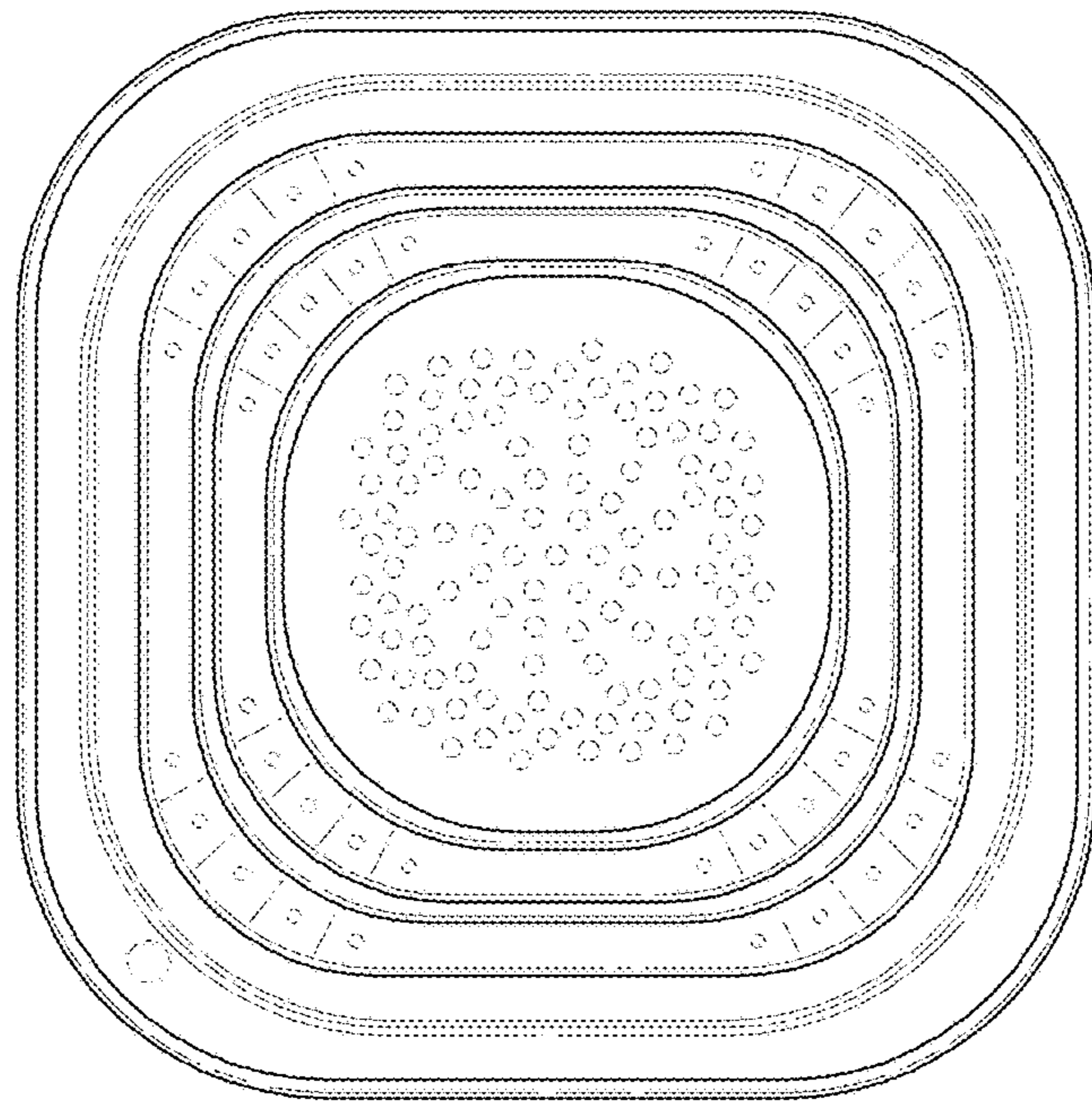


FIG. 18

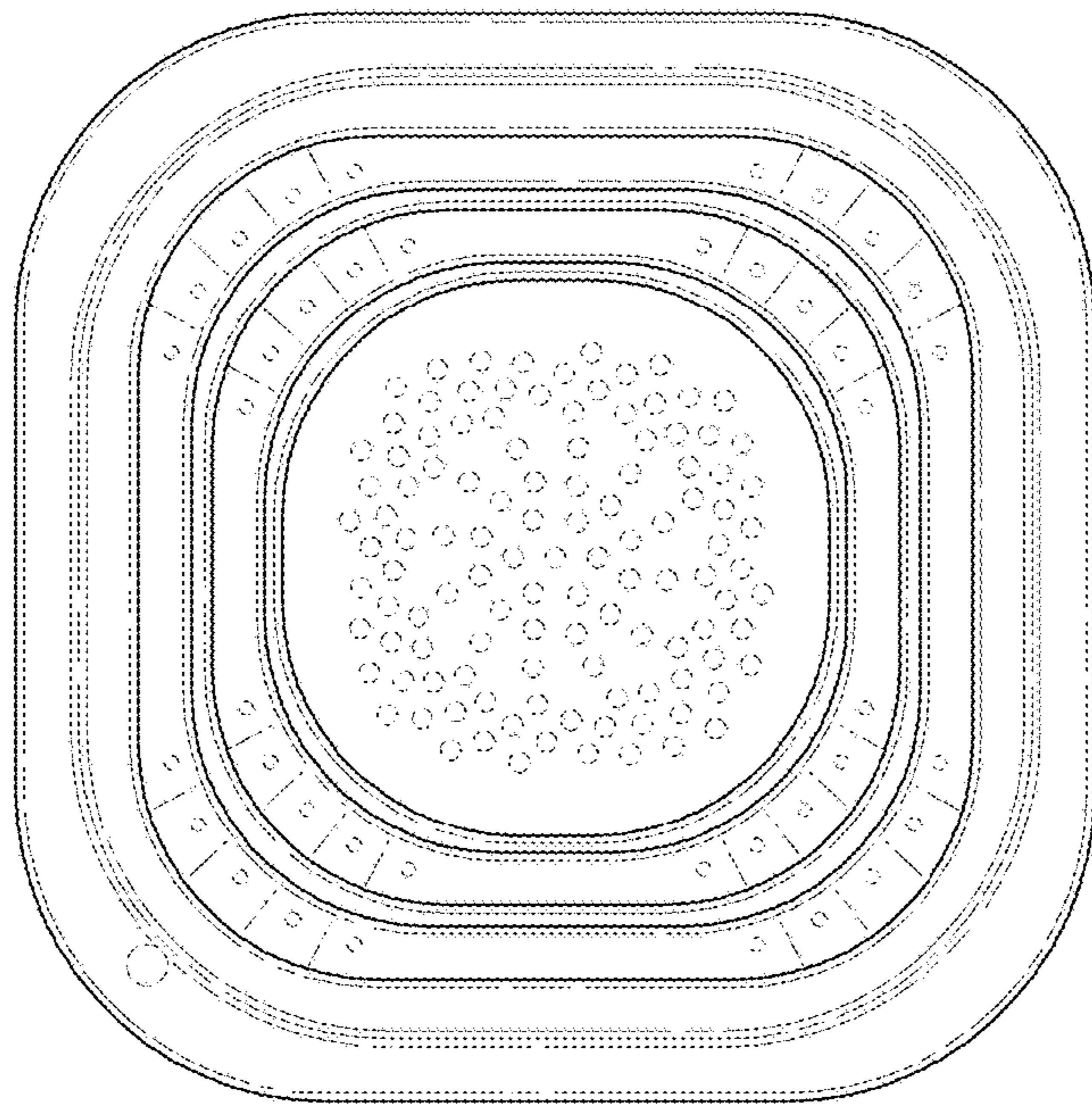


FIG. 19

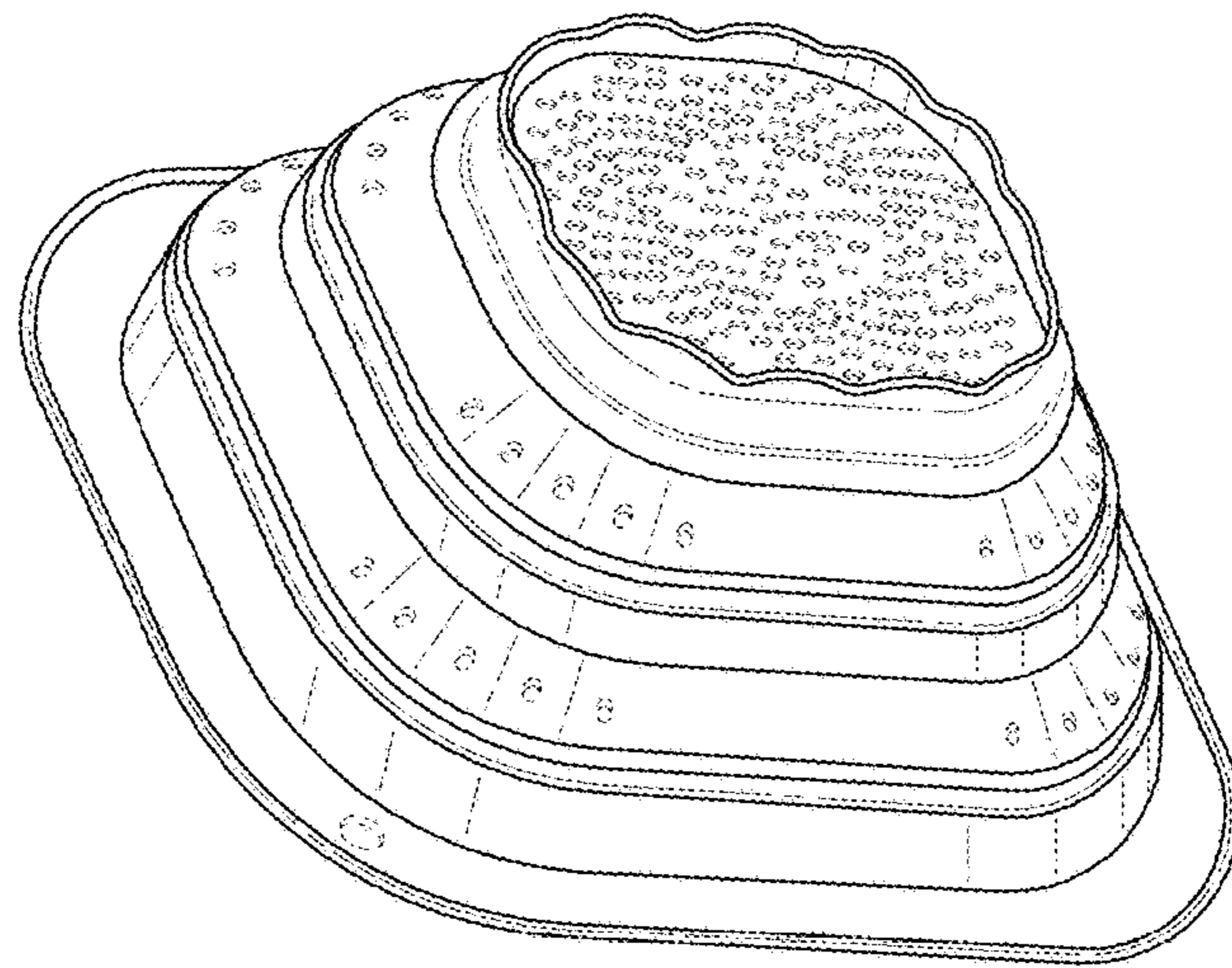


FIG. 20