



US00D840195S

(12) **United States Design Patent** (10) **Patent No.:** **US D840,195 S**  
**Seiders et al.** (45) **Date of Patent:** **\*\* Feb. 12, 2019**

(54) **CONTAINER HOLDER**  
(71) Applicant: **YETI Coolers, LLC**, Austin, TX (US)  
(72) Inventors: **Roy Joseph Seiders**, Austin, TX (US);  
**John Alan Tolman**, Austin, TX (US);  
**Steve Charles Nichols**, Austin, TX  
(US); **Martin Patrick Vespo**, Austin,  
TX (US)

3,752,347 A 8/1973 Bell  
D235,303 S 6/1975 Boucher  
D248,373 S 7/1978 Allen  
(Continued)

FOREIGN PATENT DOCUMENTS

CN 301110494 1/2010  
CN 303528321 12/2015  
(Continued)

(73) Assignee: **YETI Coolers, LLC**, Austin, TX (US)

OTHER PUBLICATIONS

(\*\*) Term: **15 Years**

Rambler Jug Mount. Online, published date unknown. Retrieved on  
Jan. 2, 2018 from URL: <https://www.yeti.com/accessories/rambler-jug-mount/YRAMJM.html>.\*

(21) Appl. No.: **29/594,256**

(Continued)

(22) Filed: **Feb. 16, 2017**

(51) **LOC (11) Cl.** ..... **09-03**

(52) **U.S. Cl.**  
USPC ..... **D7/620**

(58) **Field of Classification Search**  
USPC ..... D7/305, 316-319, 396.2, 399, 509-536,  
D7/598, 600, 619.1-625, 701-708;  
D26/26, 67; D19/84, 85  
CPC ..... B65D 81/3881; B65D 81/3886; A47G  
23/0241; A47G 23/0266; A47G 23/2288;  
A47G 23/10216; A47G 23/0258  
See application file for complete search history.

*Primary Examiner* — Karen S Acker  
*Assistant Examiner* — Omeed Agilee  
(74) *Attorney, Agent, or Firm* — Banner & Witcoff, Ltd.

(57) **CLAIM**

The ornamental design for a container holder, as shown and described.

**DESCRIPTION**

FIG. 1 is a top, front, right perspective view of a container holder showing our new design; FIG. 2 is a front view thereof; FIG. 3 is a rear view thereof; FIG. 4 is a left side view thereof; FIG. 5 is a right side view thereof; FIG. 6 is a top view thereof; and, FIG. 7 is a bottom view thereof.

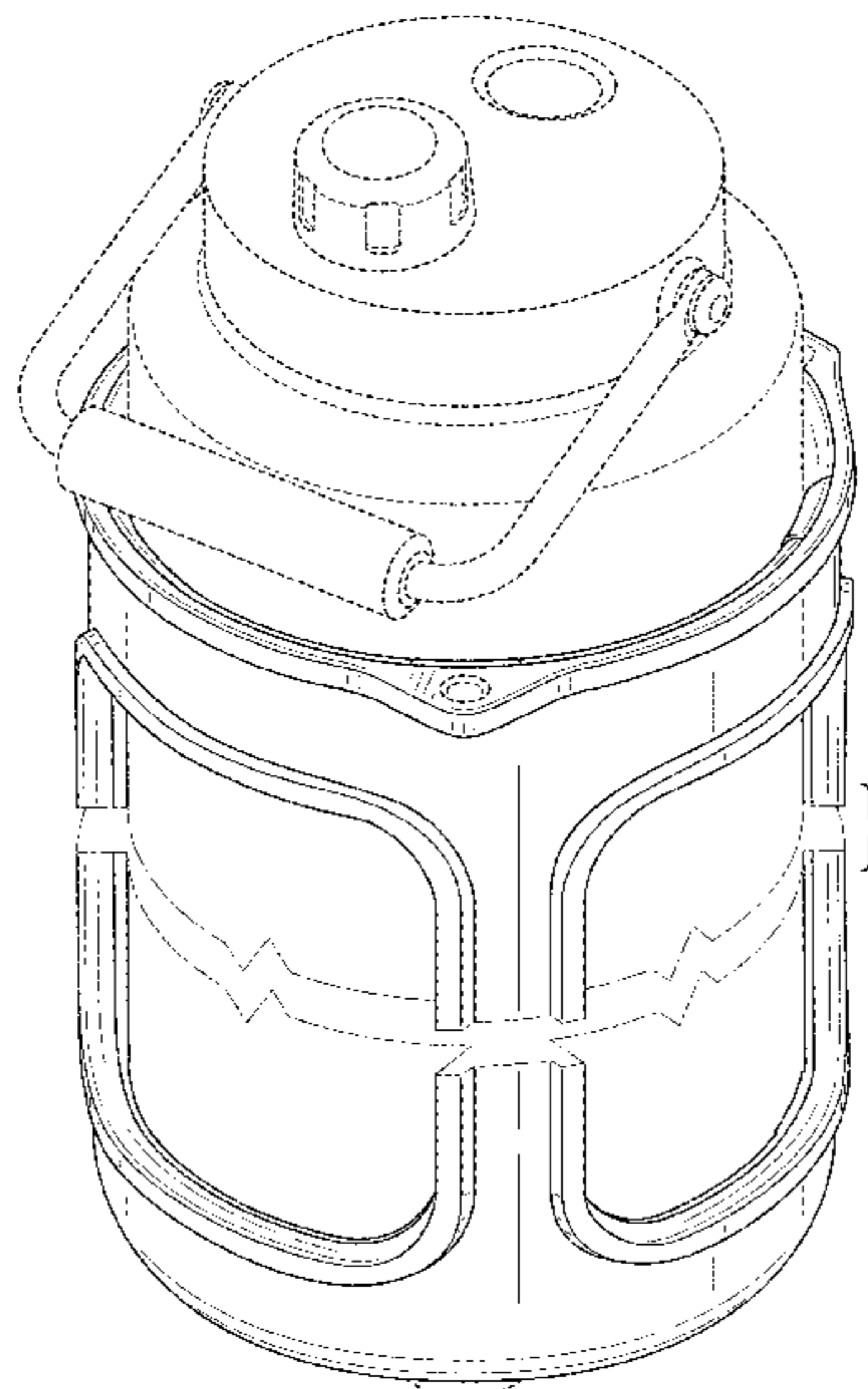
The dash-dotted lines in the drawings show unclaimed symbolic breaks in the container holder. The appearance of any portion of the container holder between the break lines forms no part of the claimed design. The evenly spaced broken lines and the areas within them depict environmental subject matter that forms no part of the claimed design.

(56) **References Cited**

U.S. PATENT DOCUMENTS

1,477,936 A 12/1923 Bott  
D109,331 S 4/1938 McManus et al.  
D154,378 S 7/1949 Fuller  
D177,761 S 5/1956 Reinhardt  
2,957,596 A 10/1960 Rehborg  
2,963,187 A 12/1960 Bramming  
3,089,603 A 5/1963 Leslie-Smith  
3,239,090 A 3/1966 Bramming  
D224,646 S 8/1972 Vollquartz

**1 Claim, 7 Drawing Sheets**



(56)

References Cited

U.S. PATENT DOCUMENTS

D256,651 S	9/1980	Leung et al.	D625,560 S	10/2010	Olson et al.
D279,346 S	6/1985	Ruxton	D626,414 S	11/2010	Cresswell et al.
D281,567 S	12/1985	Zimmermann	D626,416 S	11/2010	Cresswell et al.
D286,604 S	11/1986	Bierlein et al.	D627,601 S	11/2010	Eyal
D286,847 S	11/1986	Zimmermann	D627,602 S	11/2010	Eyal
D287,211 S	12/1986	Weiss	D627,604 S	11/2010	Eyal
D321,628 S	11/1991	Kobayashi et al.	D628,018 S	11/2010	Gilbert
D332,379 S	1/1993	Murphy	D628,486 S	12/2010	Lane
5,211,299 A	5/1993	Manfredonia	D629,689 S	12/2010	Cresswell et al.
5,232,112 A	8/1993	Howard	D629,690 S	12/2010	Cresswell et al.
D354,915 S	1/1995	Schneider et al.	D629,691 S	12/2010	Cresswell et al.
D368,224 S	3/1996	Arndt	D630,474 S	1/2011	Gilbert
D384,280 S	9/1997	Kuczer	D630,475 S	1/2011	Lu
D398,193 S	9/1998	Sanchez	D631,666 S	2/2011	Lim et al.
5,813,557 A	9/1998	Oratz	D633,338 S	3/2011	Rosbach et al.
D402,510 S *	12/1998	Miller ..... D7/601	D633,794 S	3/2011	Cresswell et al.
D405,642 S *	2/1999	Toriba ..... D7/317	D633,795 S	3/2011	Cresswell et al.
D405,650 S	2/1999	Meier	D633,796 S	3/2011	Cresswell et al.
D407,211 S *	3/1999	Diviak, Sr. .... D19/75	D633,797 S	3/2011	Cresswell et al.
D415,395 S	10/1999	Hunt et al.	D634,160 S	3/2011	Cetera
D422,916 S	4/2000	Herrmann	D635,457 S	4/2011	Lane
6,264,072 B1	7/2001	Johannes	D635,856 S	4/2011	Lauret
6,332,557 B1	12/2001	Moran	D638,695 S	5/2011	Woodrow et al.
D456,669 S	5/2002	Munari	D638,708 S	5/2011	Walsh
D458,133 S	6/2002	Berish et al.	D639,164 S	6/2011	Walsh
D458,134 S	6/2002	Berish et al.	D639,661 S	6/2011	Llerena
D466,814 S	12/2002	Hurlburt	D639,663 S	6/2011	Llerena
D479,800 S	9/2003	McRae	D641,591 S	7/2011	Tsukida
D482,607 S	11/2003	McRae	D643,691 S *	8/2011	Selina ..... D7/607
D494,425 S	8/2004	Segura	D643,693 S	8/2011	Jama
D524,909 S	7/2006	Bakke et al.	D648,984 S	11/2011	Gullickson et al.
D525,518 S	7/2006	Baldwin	D651,847 S	1/2012	Gilbert
D530,141 S	10/2006	Wilgus et al.	D652,255 S	1/2012	Carland
D536,929 S	2/2007	Kingsley	D652,682 S	1/2012	Eyal
7,172,101 B2	2/2007	Find	D654,762 S	2/2012	Gilbert
D548,082 S	8/2007	Kingsley	D655,134 S	3/2012	Gilbert
D549,444 S	8/2007	Schnackenberg	D655,581 S	3/2012	Kotani
7,270,244 B1	9/2007	Liu	D657,196 S	4/2012	Beyers, III
D553,914 S	10/2007	Wahl	D658,064 S	4/2012	Barnes et al.
D554,000 S	10/2007	Walsh	D658,445 S	5/2012	Carreno
D564,363 S	3/2008	Rhea	D659,007 S	5/2012	Pape
D567,007 S *	4/2008	Bodum ..... D7/317	D660,084 S	5/2012	Gilbert
D572,585 S	7/2008	Perrin et al.	D662,360 S	6/2012	George
D574,237 S	8/2008	Yates, III	8,210,572 B2	7/2012	Davis
D584,623 S	1/2009	Chupak	8,215,511 B1	7/2012	Lin
D586,183 S	2/2009	Junkel	D664,809 S	8/2012	Eyal
D587,533 S	3/2009	Carreno	D665,621 S	8/2012	Eyal
D601,436 S	10/2009	Stephens et al.	8,245,600 B2	8/2012	Beard
D603,331 S	11/2009	Schupp	D668,913 S	10/2012	Mayer
D603,722 S	11/2009	Reimer	D671,372 S	11/2012	Zou
D604,181 S	11/2009	Reimer	D672,238 S	12/2012	Aziz et al.
D604,561 S	11/2009	Chisholm	D672,609 S	12/2012	Aziz et al.
D605,040 S	12/2009	Fry et al.	D675,100 S	1/2013	Herbst
D605,060 S	12/2009	Reimer	D676,764 S	2/2013	Moore et al.
D610,871 S	3/2010	Alviar et al.	D677,103 S *	3/2013	Melzer ..... D7/317
D611,346 S	3/2010	Camomile	D678,729 S	3/2013	Peeters et al.
D612,235 S	3/2010	Cresswell et al.	D678,772 S	3/2013	Johnson et al.
D612,660 S *	3/2010	Bodum ..... D7/317	D680,389 S	4/2013	Zemel et al.
D614,918 S	5/2010	Chisholm	8,443,993 B1	5/2013	Desselle
D615,360 S	5/2010	Joy et al.	8,443,994 B1	5/2013	Desselle
D615,361 S	5/2010	Goble	D684,059 S	6/2013	Johnson et al.
D615,816 S	5/2010	Joy et al.	D686,078 S	7/2013	Johnson et al.
D616,703 S	6/2010	Joy et al.	D688,093 S	8/2013	Roth et al.
D616,743 S	6/2010	Cresswell et al.	8,505,787 B2	8/2013	Fox et al.
D616,744 S	6/2010	Cresswell et al.	D690,987 S	10/2013	Gallen
D619,457 S	7/2010	Walsh	D693,698 S	11/2013	Miller, Jr.
D619,458 S	7/2010	Walsh	D695,138 S	12/2013	Ball
D619,459 S	7/2010	Walsh	8,613,369 B2	12/2013	Kitto
D620,798 S	8/2010	Cresswell et al.	D696,945 S	1/2014	Newman
D621,257 S	8/2010	Gullickson et al.	D697,404 S	1/2014	Johnson et al.
D621,258 S	8/2010	Gullickson et al.	D697,802 S	1/2014	Lane
D622,089 S	8/2010	Daniel et al.	D698,668 S	2/2014	Vaughn
D622,145 S	8/2010	Walsh	D701,464 S	3/2014	Ogata et al.
D623,475 S	9/2010	Aamoudse et al.	D702,092 S	4/2014	Mettler et al.
D623,480 S	9/2010	Moran	D702,506 S	4/2014	Mettler et al.
			8,701,881 B2	4/2014	Gibson et al.
			8,701,924 B2	4/2014	Dalbec
			D708,484 S *	7/2014	Bishop ..... D7/608
			D708,954 S	7/2014	Barnes et al.



(56)

References Cited

U.S. PATENT DOCUMENTS

D709,734 S	7/2014	Kotani	
D712,254 S	9/2014	Geis et al.	
D712,255 S	9/2014	Geis et al.	
D713,268 S	9/2014	Jones et al.	
D713,365 S	9/2014	Green	
D717,102 S	11/2014	Taketani et al.	
8,905,252 B2	12/2014	Latham et al.	
D724,385 S	3/2015	Hurley et al.	
D728,315 S	5/2015	Bo	
D728,995 S	5/2015	Barberi	
D729,579 S	5/2015	Molayem	
D729,584 S	5/2015	Weston et al.	
D732,402 S	6/2015	Jones et al.	
D734,154 S	7/2015	Johnson et al.	
D735,578 S	8/2015	Mazurkiewicz et al.	
D741,655 S	10/2015	Whelan et al.	
D743,742 S	11/2015	Rummel et al.	
D744,781 S	12/2015	Rummel et al.	
D748,955 S *	2/2016	Oliver	D7/624.2
D754,472 S	4/2016	Munari	
D755,561 S	5/2016	Eyal	
D758,136 S *	6/2016	Liotta	D7/317
D758,790 S	6/2016	Boroski	
D758,791 S	6/2016	Hanna et al.	
D758,804 S *	6/2016	Liotta	D7/622
D762,418 S	8/2016	Sorensen et al.	
D763,076 S	8/2016	Lane et al.	
D772,021 S *	11/2016	Joy	D7/624.1
D787,893 S	5/2017	Seiders et al.	
D799,909 S *	10/2017	Partridge	D7/620
D802,375 S *	11/2017	Kao	D7/624.2
2010/0089151 A1	4/2010	Mantilla et al.	
2011/0186585 A1	8/2011	Lu	
2012/0199548 A1	8/2012	Kitto	
2014/0069917 A1	3/2014	Meyers et al.	
2014/0251938 A1	9/2014	Rose et al.	
2014/0353275 A1	12/2014	Hung	
2015/0191293 A1	7/2015	Forcella	
2015/0251812 A1	9/2015	Gillie	
2015/0314929 A1	11/2015	Tebbe et al.	
2016/0176587 A1	6/2016	Heraud	
2016/0318693 A1	11/2016	Hein et al.	

FOREIGN PATENT DOCUMENTS

JP	1363566	6/2009
JP	1530358	8/2015
KR	300303813.0000	8/2002
KR	300751936.0000	7/2014
KR	300764889.0000	10/2014
KR	3020150002495	* 1/2015
WO	D088688-002	1/2016

OTHER PUBLICATIONS

‘First Look: YETI Rambler One Gallon ‘Jug’ Review’. Found online Jun. 12, 2017 at gearjunkie.com. Page dated May 2, 2017. Retrieved from <https://gearjunkie.com/yeti-rambler-one-gallon-jug-review>.

“Lifefactory Water Bottle with Flip Cap”. Found online Oct. 26, 2016 at amazon.com. Page dated Jan. 21, 2012. Retrieved from

[https://www.amazon.com/Lifefactory-22-Ounce-BPA-Free-Bottle-Silicone/dp/B01JIHJYOI/ref=pd\\_day0\\_79\\_22?\\_encoding=UTF8&refRID=YW47QZQ73YFSYXXEHXG2](https://www.amazon.com/Lifefactory-22-Ounce-BPA-Free-Bottle-Silicone/dp/B01JIHJYOI/ref=pd_day0_79_22?_encoding=UTF8&refRID=YW47QZQ73YFSYXXEHXG2).

“Igloo Sport Beverage Cooler”. Found online Jun. 7, 2017 at amazon.com. Page dated Mar. 9, 2013. Retrieved from [https://www.amazon.com/Igloo-Beverage-Cooler-Majestic-2-Gallon/dp/B0088AYPOG/ref=cm\\_cr\\_ar\\_p\\_d\\_product\\_top?ie=UTF8](https://www.amazon.com/Igloo-Beverage-Cooler-Majestic-2-Gallon/dp/B0088AYPOG/ref=cm_cr_ar_p_d_product_top?ie=UTF8).

“Klear Loop Cap Hangle Lids for Klear Bottle and Hydro Flask”. Found online Jun. 7, 2017 at amazon.com. Page dated Jul. 4, 2016. Retrieved from [https://www.amazon.com/Klear-Handle-Bottle-Hydro-Flask/dp/B01EXKSRLQ/ref=cm\\_cr\\_ar\\_p\\_d\\_product\\_top?ie=UTF8](https://www.amazon.com/Klear-Handle-Bottle-Hydro-Flask/dp/B01EXKSRLQ/ref=cm_cr_ar_p_d_product_top?ie=UTF8).

Liquid Hardware, Insulated Aqua Silver Sidewinder Vacuum Bottle 20oz./592ml. Powder Coated in USA!, product description, retrieved from Internet on Aug. 12, 2015, 3 pages.

Oct. 18, 2016—(JP) Office Action—App. 2016-010799, English Translation, 3 Pages.

Oct. 18, 2016—(JP) Office Action—App. 2016-010800, English Translation, 3 Pages.

YETI 36 oz. Rambler: Announced Jan. 11, 2016 [online], site visited [May 10, 2016]. Available from Internet URL: <http://yeticoolers.com/rambler-bottle-36-oz/>.

KOLD Vacuum Insulated Stainless Steel Sports Bottle: Announced Dec. 8, 2015 [online], site visited [May 11, 2016]. Available from Internet URL: <http://www.amazon.com/KOLD-Sports-Water-Bottles-Insulated/dp/B018YH K79E/ref=cm>.

“Hydro Flask Insulated Stainless Steel Water Bottle” published on Dec. 29, 2014, retrieved from [http://web.archive.org/web/\\*/https://www.amazon.com/dp/B004X55L9I/ref=twister\\_B00GA03LG4?\\_encoding=UTF8&psc=1](http://web.archive.org/web/*/https://www.amazon.com/dp/B004X55L9I/ref=twister_B00GA03LG4?_encoding=UTF8&psc=1) on Sep. 22, 2016.

“UA Beyond 18 oz. Vacuum Insulated Water Bottle” published on Mar. 29, 2015, retrieved from [http://web.archive.org/web/\\*/https://www.underarmour.com/en-us/beyond-18-oz-vacuum-insulated-ss-bottle-with-flip-top-lid/pid1232014](http://web.archive.org/web/*/https://www.underarmour.com/en-us/beyond-18-oz-vacuum-insulated-ss-bottle-with-flip-top-lid/pid1232014) on Sep. 22, 2016.

“Klean Kanteen Insulated Classic with Polypropylene” published on Jul. 7, 2015, retrieved from [http://web.archive.org/web/\\*/https://www.lifewithoutplastic.com/store/klean-kanteen-insulated-classic-with-polypropylene-loop-cap-0-95-I-32-oz.html](http://web.archive.org/web/*/https://www.lifewithoutplastic.com/store/klean-kanteen-insulated-classic-with-polypropylene-loop-cap-0-95-I-32-oz.html) on Sep. 22, 2016.

“Eco Vessel 64 ounce Growler” published on Jan. 28, 2015, retrieved from [http://web.archive.org/web/\\*/http://www.snewsnet.com/press-release/eco-vessel-launches-the-boss-insulated-growler/](http://web.archive.org/web/*/http://www.snewsnet.com/press-release/eco-vessel-launches-the-boss-insulated-growler/) on Sep. 22, 2016.

“64 oz Double-Wall Vacuum-Insulated Growler” published on Nov. 14, 2014, retrieved from [https://web.archive.org/web/\\*/http://www.fiftyfiftybottles.com/64oz-growler/](https://web.archive.org/web/*/http://www.fiftyfiftybottles.com/64oz-growler/) on Sep. 22, 2016.

“2015 Boulder Insulated Water Bottle with Tea, Fruit, Ice Strainer” published on Jun. 28, 2015, retrieved from [http://web.archive.org/web/\\*/http://www.ecovessel.com/boulder-insulated-water-bottle-with-tea-fruit-ice-strainer-20-oz/](http://web.archive.org/web/*/http://www.ecovessel.com/boulder-insulated-water-bottle-with-tea-fruit-ice-strainer-20-oz/) on Sep. 22.

“KB8 20 oz. Double Wall Stainless Bottle,” published on May 22, 2015, retrieved from <https://web.archive.org/web/20150807054814/http://thermo-steel.com/work/keen-kb8> on Sep. 27, 2016.

Nov. 1, 2016—(JP) Office Action—App. 2016-9606, English Translation, 2 Pages.

Oct. 4, 2016—(JP)—App. 2016-9607, English Translation, 2 Pages.

Oct. 4, 2016—(JP) Office Action—App. 2016-9608, English Translation, 2 Pages.

Nov. 2, 2016—(WO) International Search Report and Written Opinion—App. No. PCT/US2016/047043.

\* cited by examiner

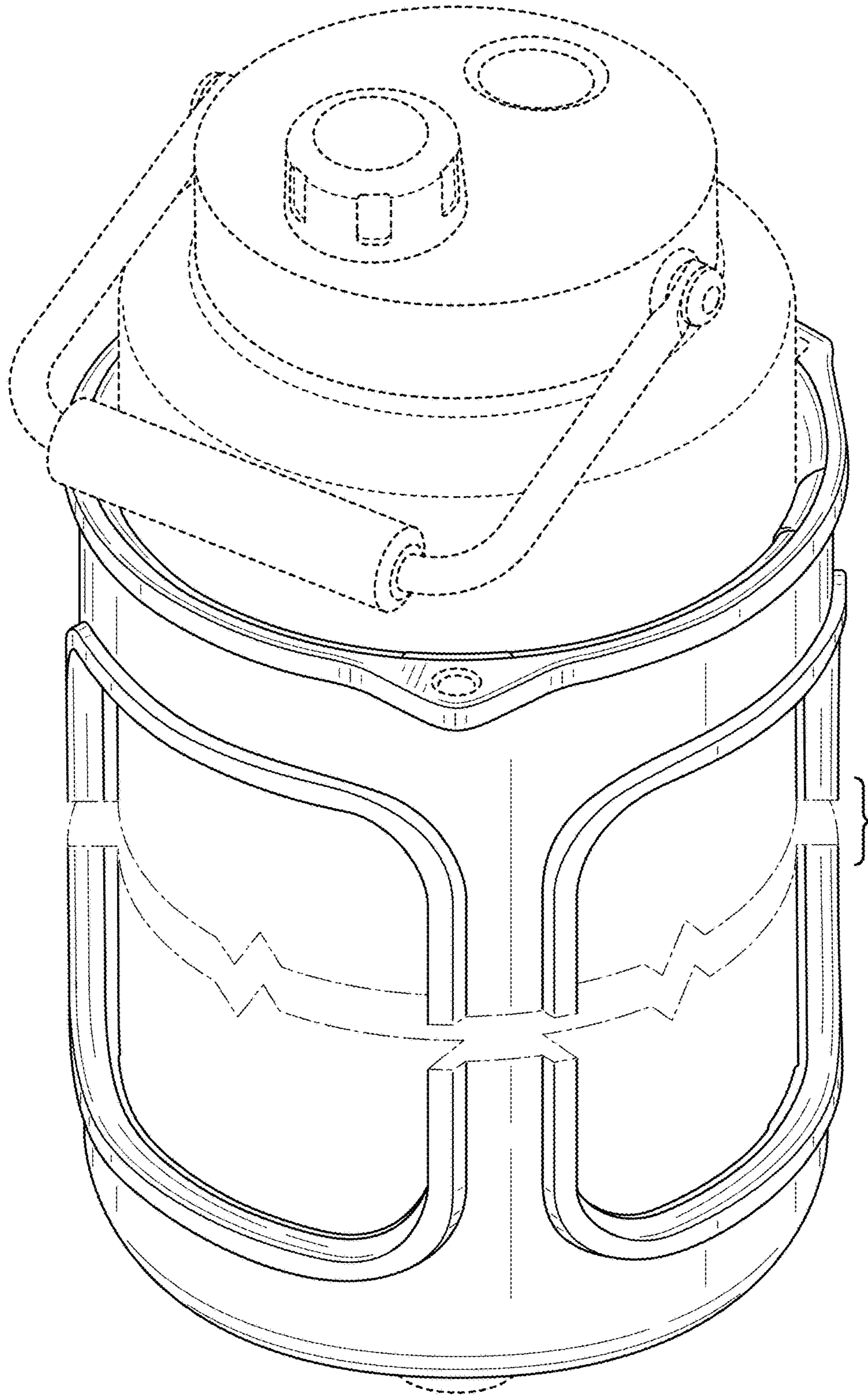


FIG. 1



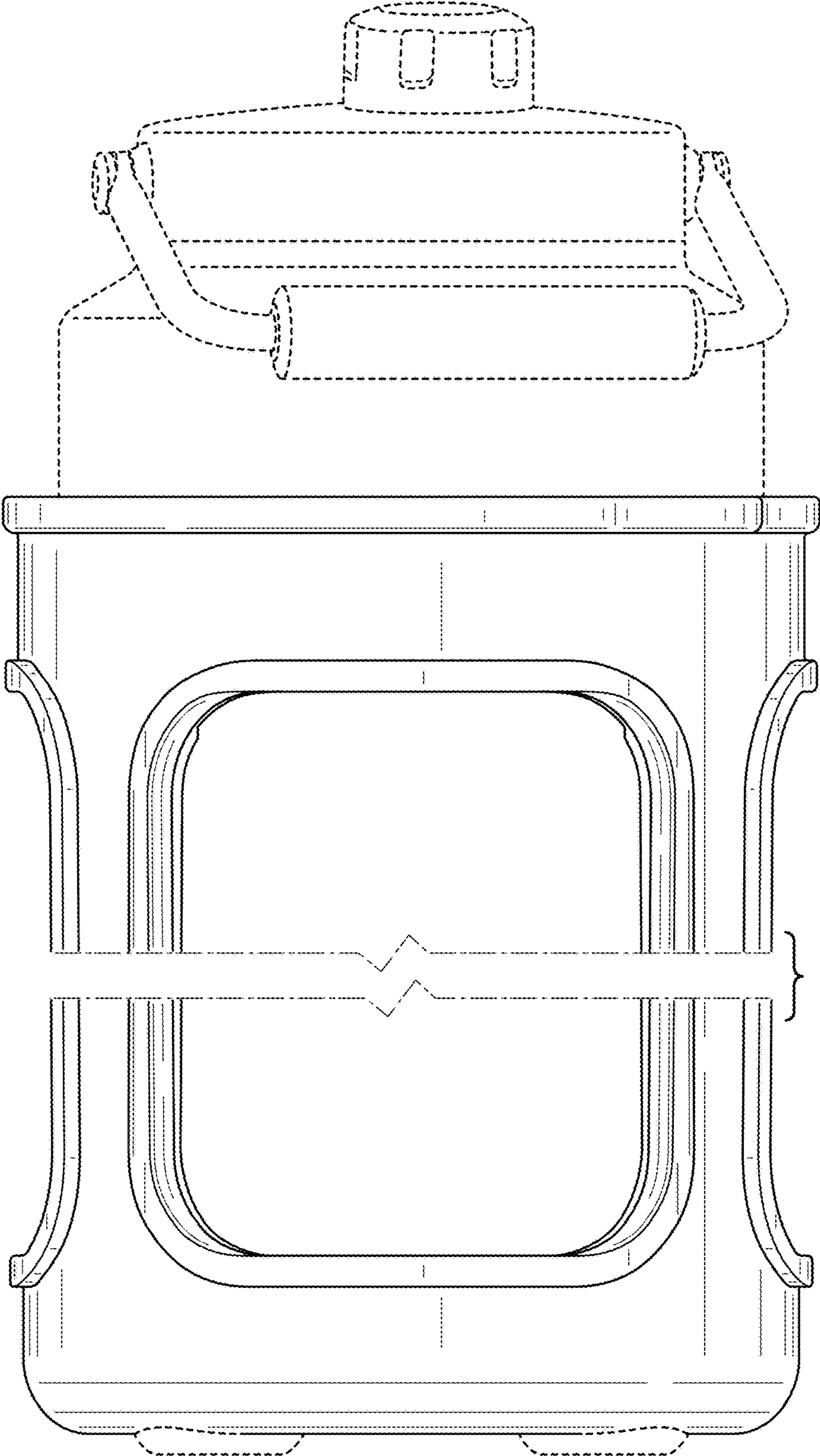


FIG. 2

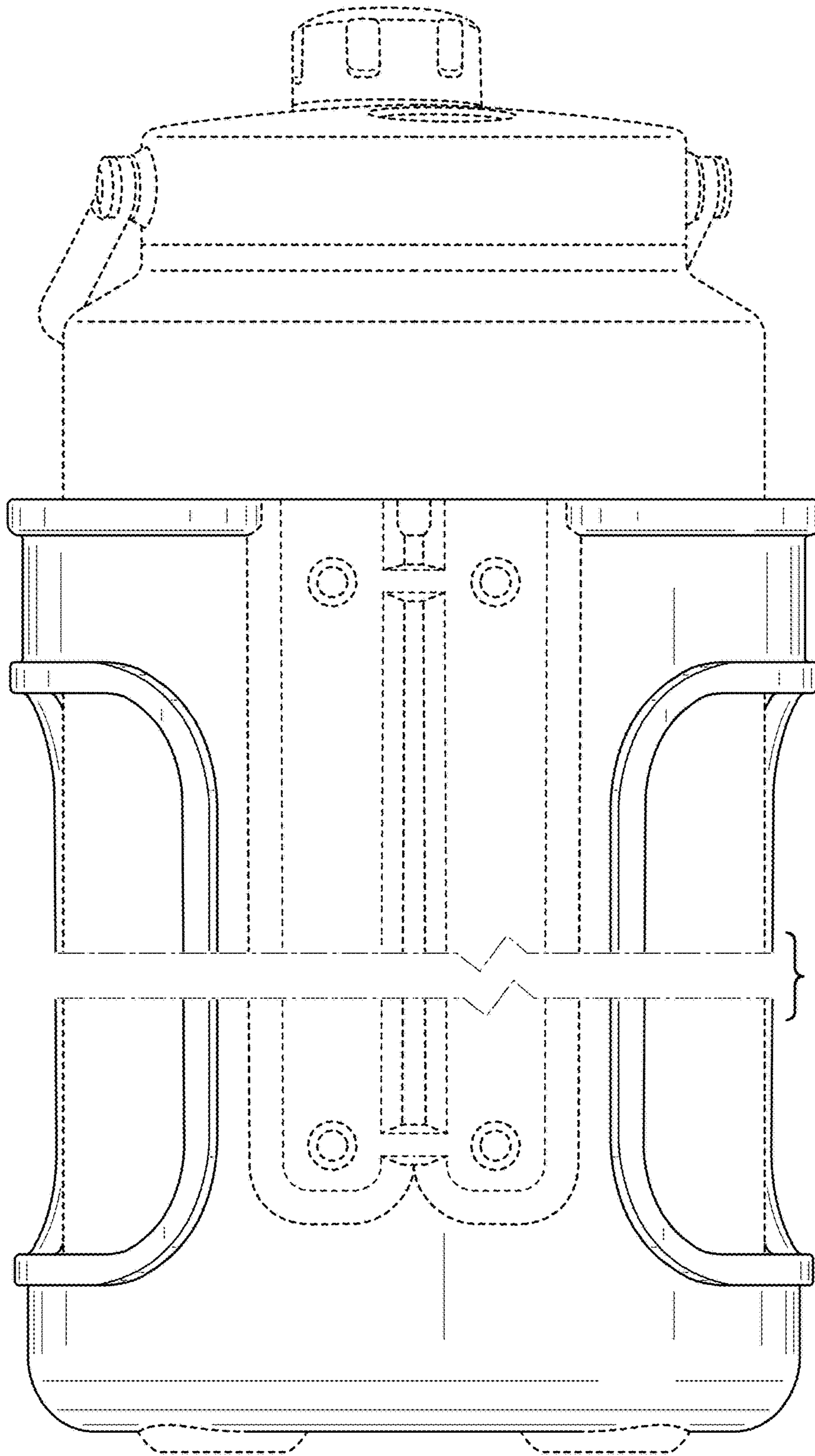


FIG. 3

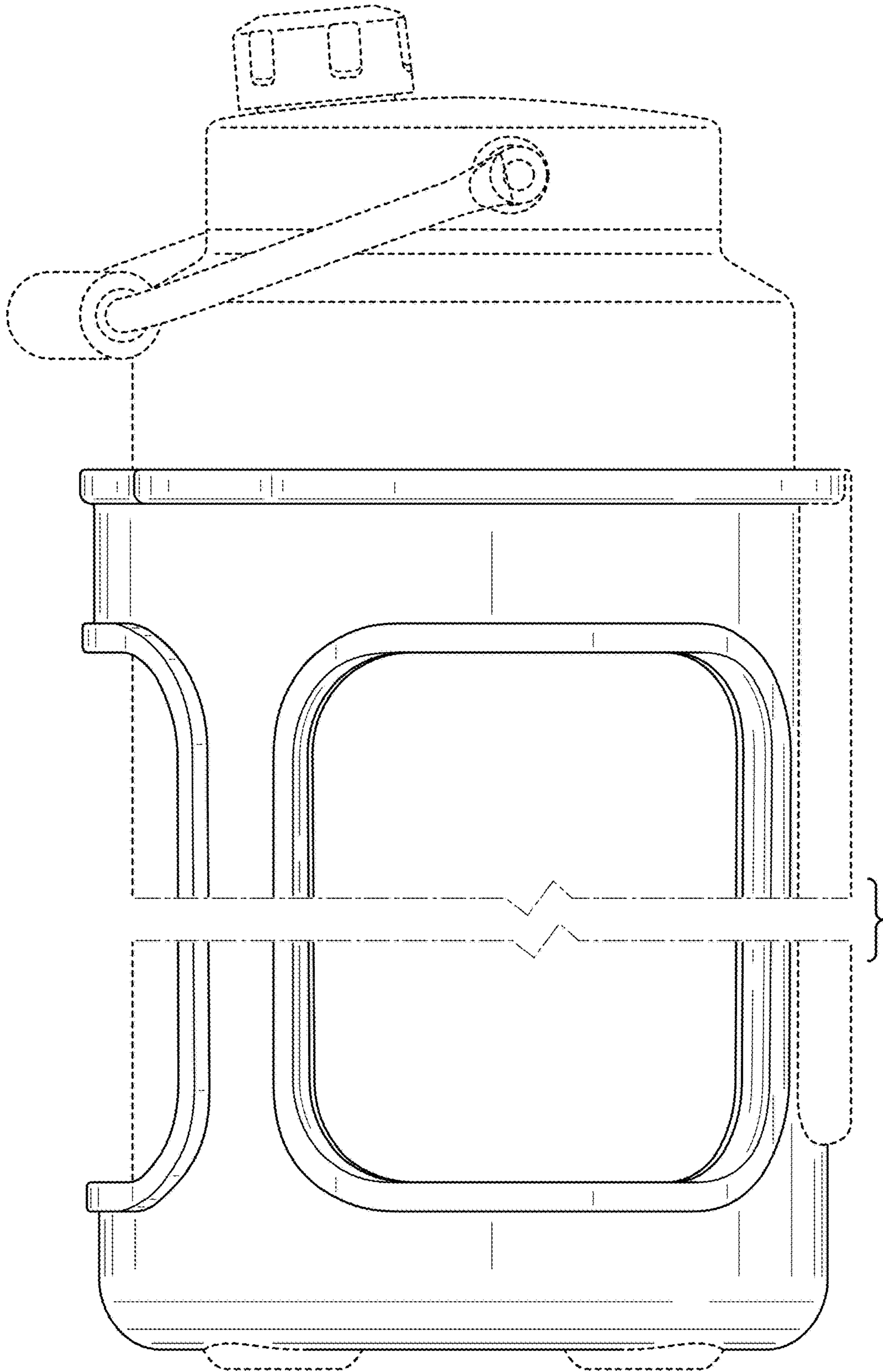


FIG. 4

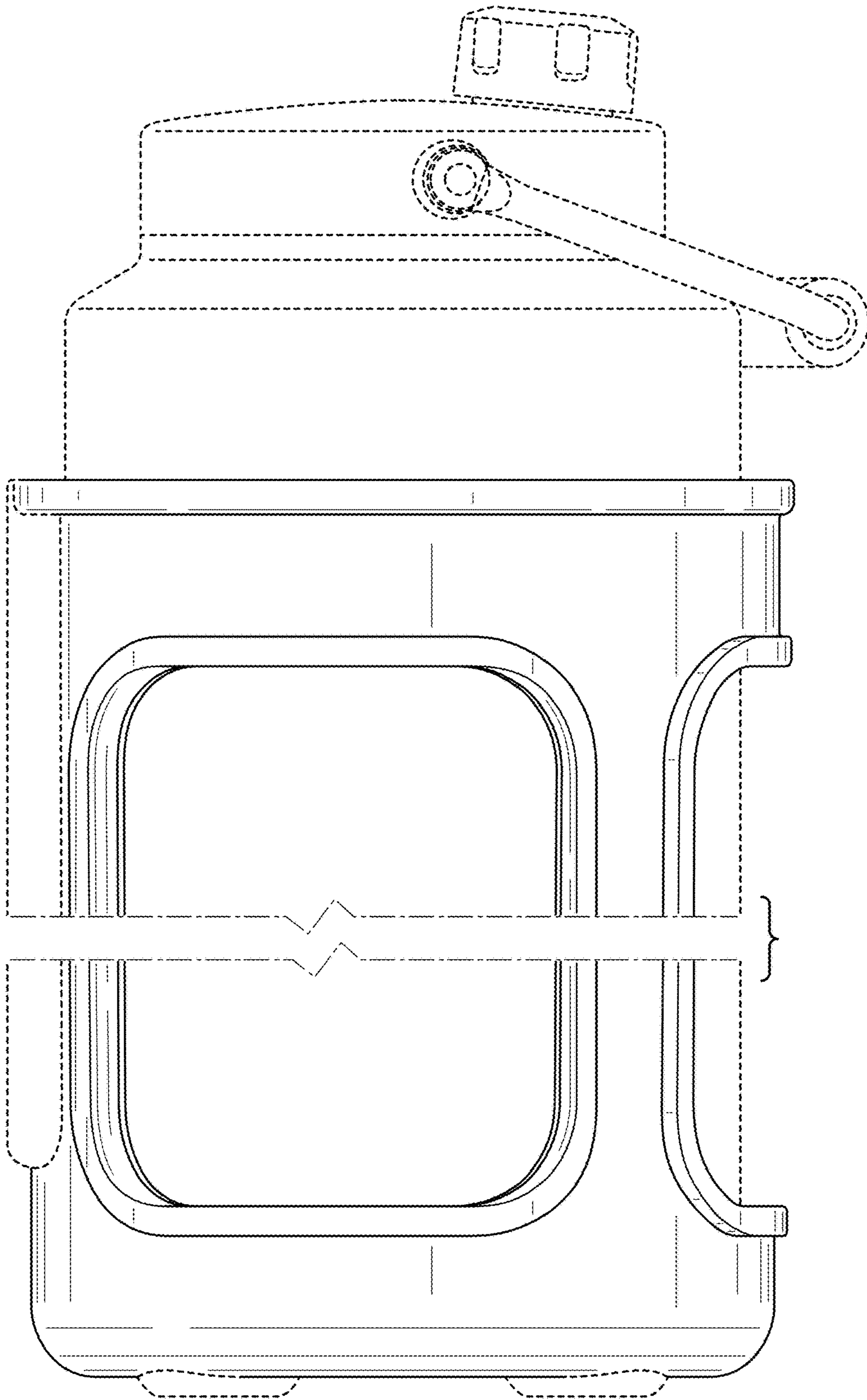


FIG. 5



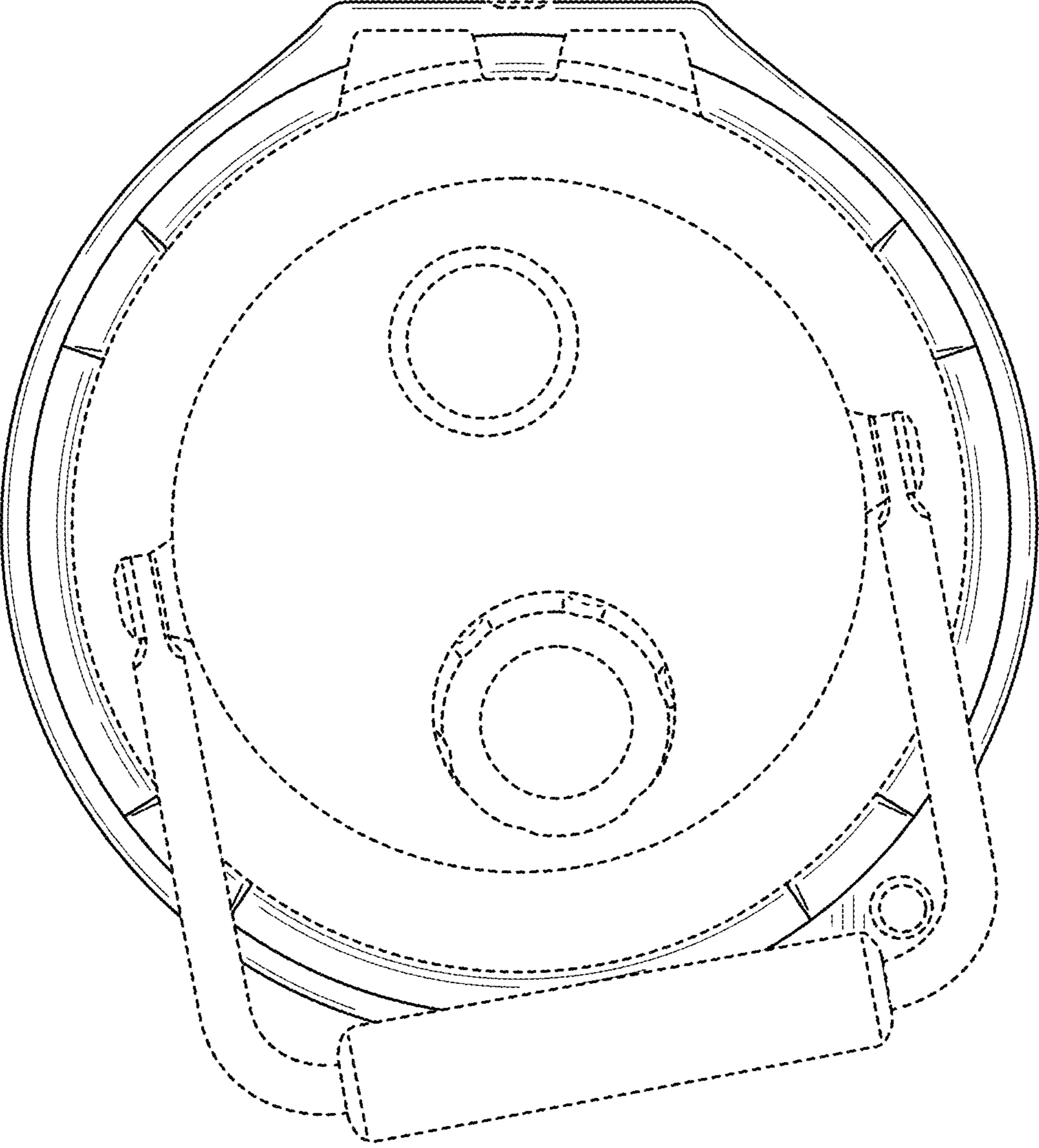


FIG. 6

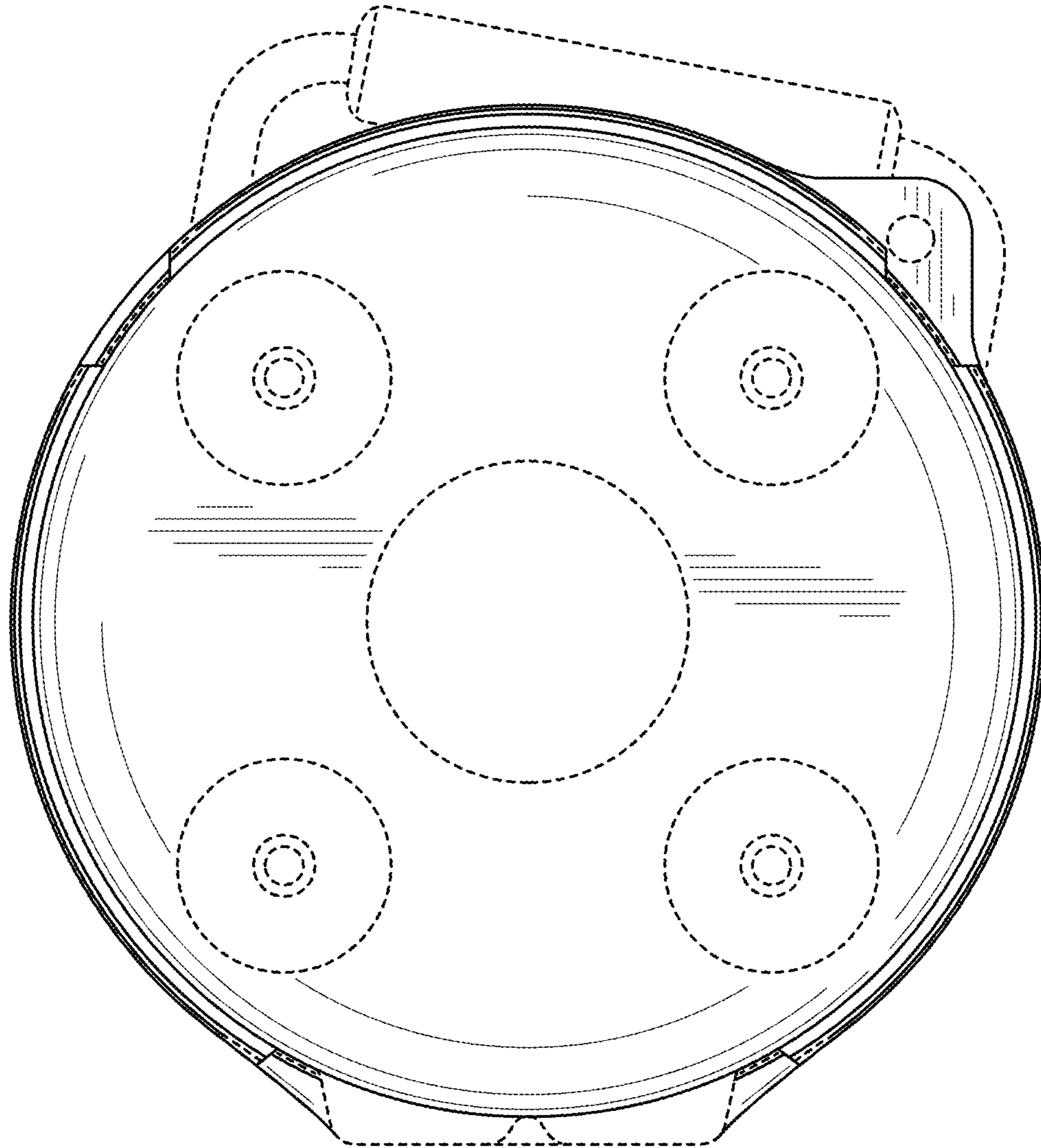


FIG. 7