



US00D840194S

(12) **United States Design Patent** (10) **Patent No.:** **US D840,194 S**
Furneaux et al. (45) **Date of Patent:** **** Feb. 12, 2019**

(54) **ROLL TOP BACKPACK COOLER**

(71) Applicant: **Sovaro Coolers, LLC**, Roswell, GA
(US)

(72) Inventors: **Todd McLean Furneaux**, Roswell, GA
(US); **Michael Thuma**, La Grange, IL
(US); **Michael R. Vogler**, Oswego, IL
(US); **Robert G. Kopp**, Elburn, IL
(US)

(73) Assignee: **Sovaro Coolers, LLC**, Roswell, GA
(US)

(**) Term: **15 Years**

(21) Appl. No.: **29/596,048**

(22) Filed: **Mar. 3, 2017**

(51) **LOC (11) Cl.** **07-01**

(52) **U.S. Cl.**
USPC **D7/607**

(58) **Field of Classification Search**
USPC D7/603-608, 709; D3/216, 273, 274,
D3/276, 279, 282, 284, 289, 901, 902
CPC A45J 47/145; A45C 7/0077; A45C 3/00;
A45C 11/20; A45F 3/04; A45F 3/042;
B65D 81/3813; B65D 81/3823; B65D
81/3888; B65D 81/3816; F25B 19/00;
F25D 3/08; F25D 3/14; F25D 2331/804;
A47J 41/022; A47G 19/2288
See application file for complete search history.

(56) **References Cited**

U.S. PATENT DOCUMENTS

- 4,537,313 A * 8/1985 Workman A47J 47/145
206/545
- 4,805,776 A * 2/1989 Namgyal A45C 3/00
206/523
- D340,840 S * 11/1993 Melk D3/283

- D382,771 S * 8/1997 Mogil D7/607
- D382,772 S * 8/1997 Mogil D7/607
- D387,249 S * 12/1997 Mogil D7/607
- 6,427,475 B1 * 8/2002 DeFelice F25D 3/08
62/457.2
- D478,782 S * 8/2003 Li D7/607
- D762,384 S * 8/2016 Boroski D3/283
- D766,571 S * 9/2016 Boroski D3/232
- D779,824 S * 2/2017 Boroski D3/283
- D791,680 S * 7/2017 Chin D12/409
- 2008/0121630 A1 * 5/2008 Simard A45C 11/20
219/387
- 2009/0294455 A1 * 12/2009 Pruchnicki A45C 11/20
220/592.2

(Continued)

Primary Examiner — Terry A Wallace

(74) *Attorney, Agent, or Firm* — McHale & Slavin, P.A.

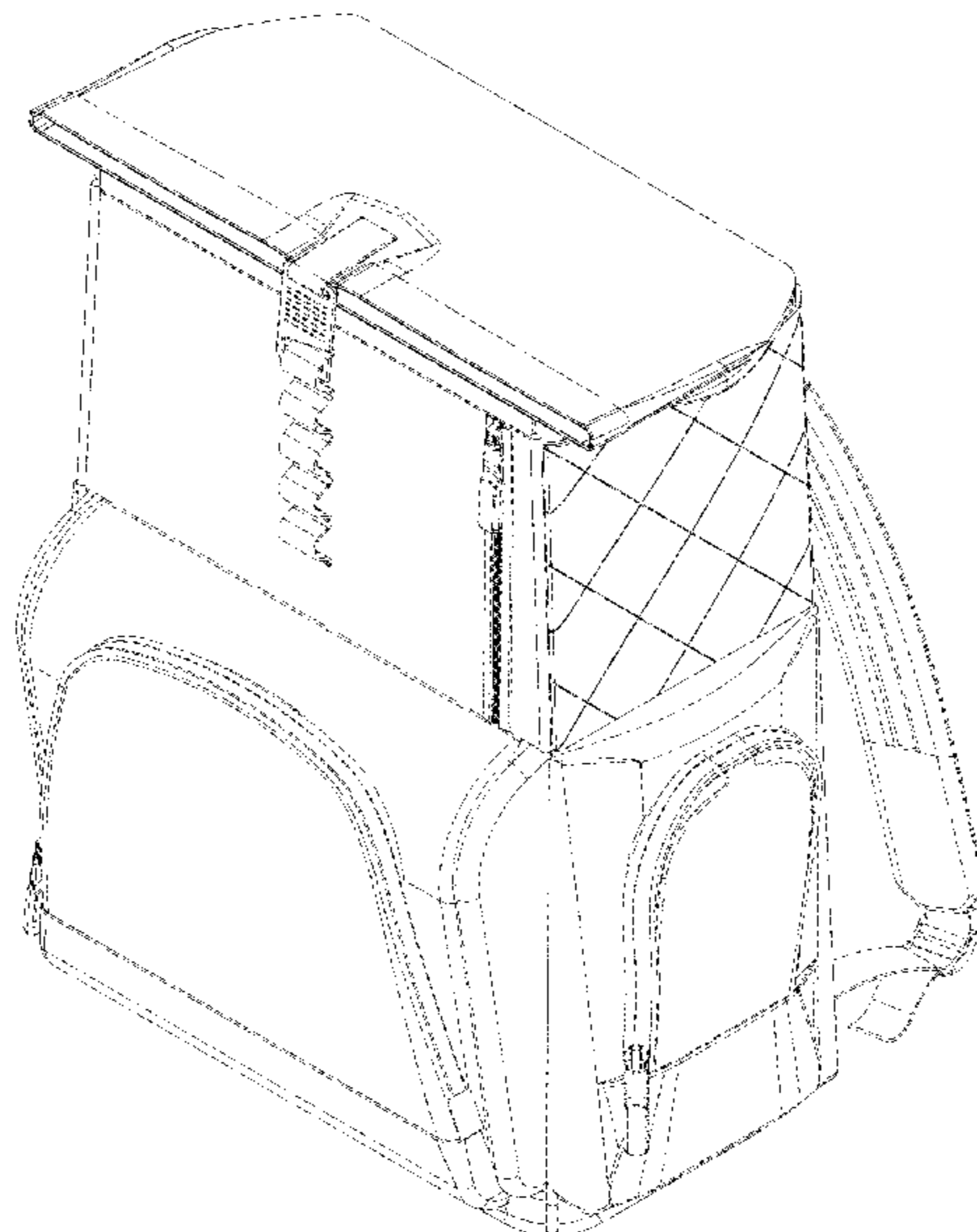
(57) **CLAIM**

The ornamental design for a roll top backpack cooler, as shown and described.

DESCRIPTION

FIG. 1 is a front right isometric view of the roll top backpack cooler of the present invention;
 FIG. 2 is a right side view thereof;
 FIG. 3 is a left side view thereof;
 FIG. 4 is a front view thereof;
 FIG. 5 is a rear view thereof;
 FIG. 6 is a top view thereof;
 FIG. 7 is a bottom view thereof;
 FIG. 8 is a right rear bottom isometric view thereof;
 FIG. 9 is a top front right isometric view thereof illustrating the roll top backpack cooler in an open position; and,
 FIG. 10 is a top rear left isometric view thereof illustrating the roll top backpack cooler in an open position.
 The portions of the roll top backpack cooler illustrated in broken lines form no part of the claim for the roll top backpack cooler.

1 Claim, 10 Drawing Sheets



(56)

References Cited

U.S. PATENT DOCUMENTS

2016/0101924 A1* 4/2016 Mitchell A45C 7/0077
220/592.2

* cited by examiner

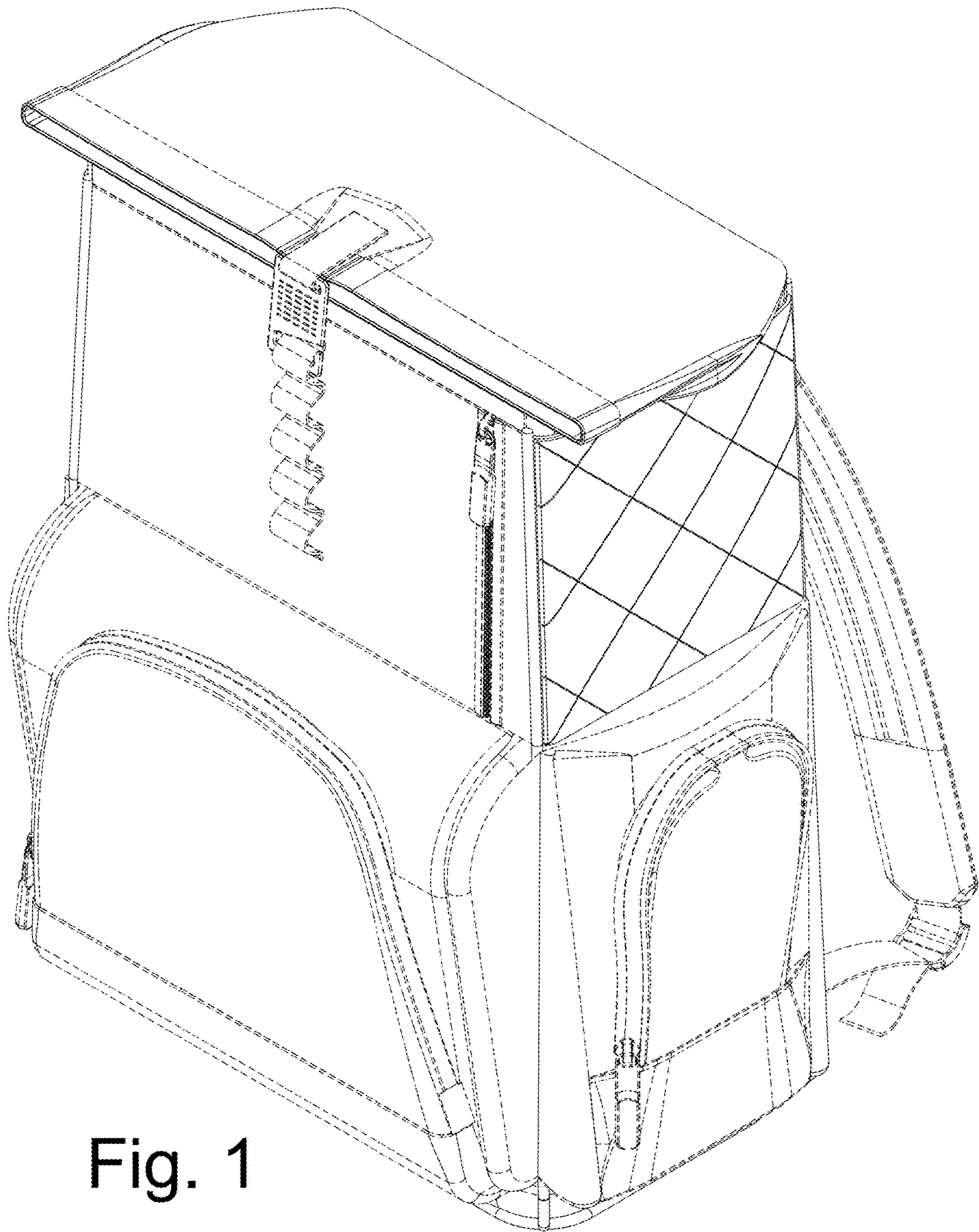


Fig. 1

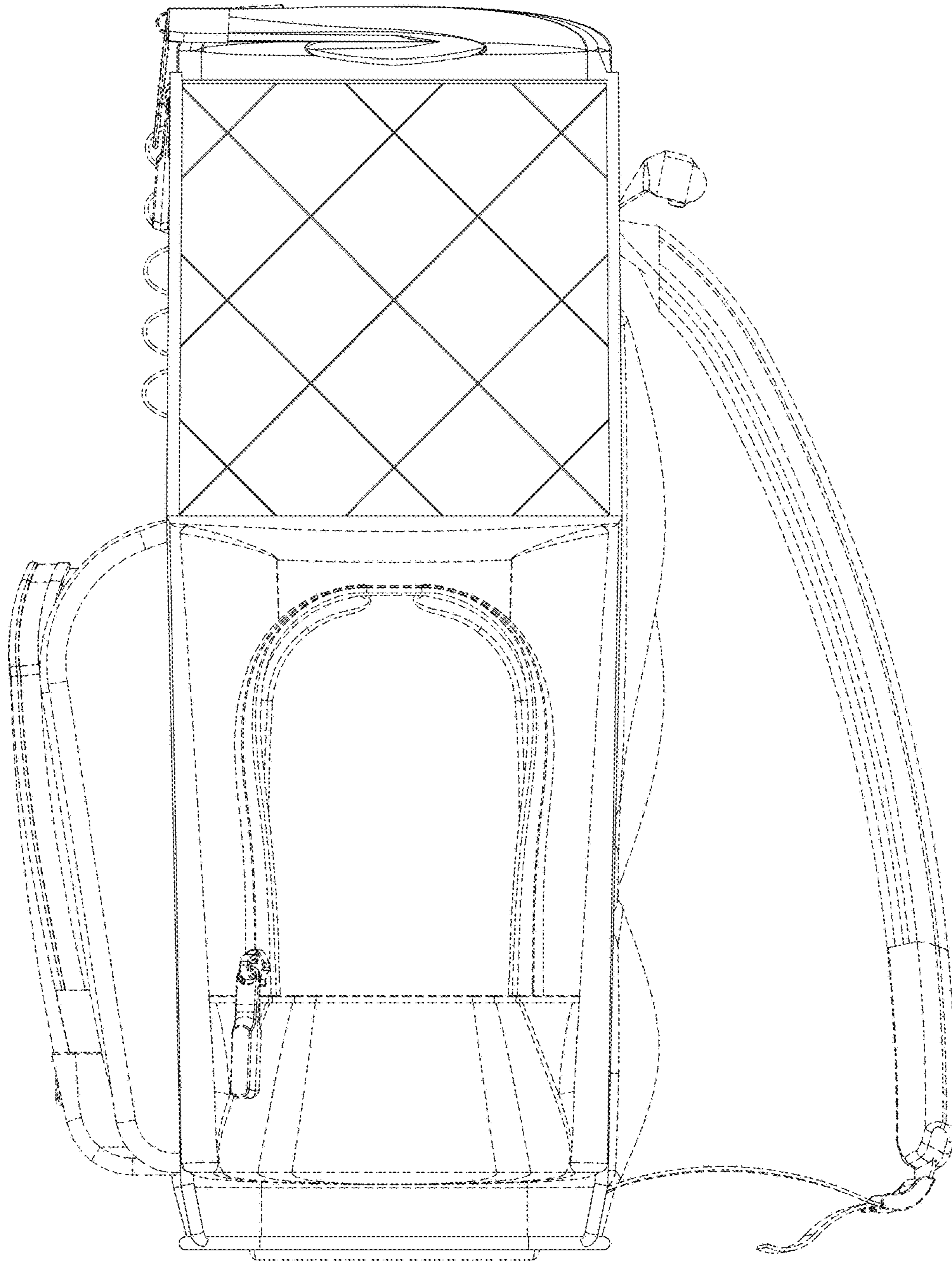


Fig. 2

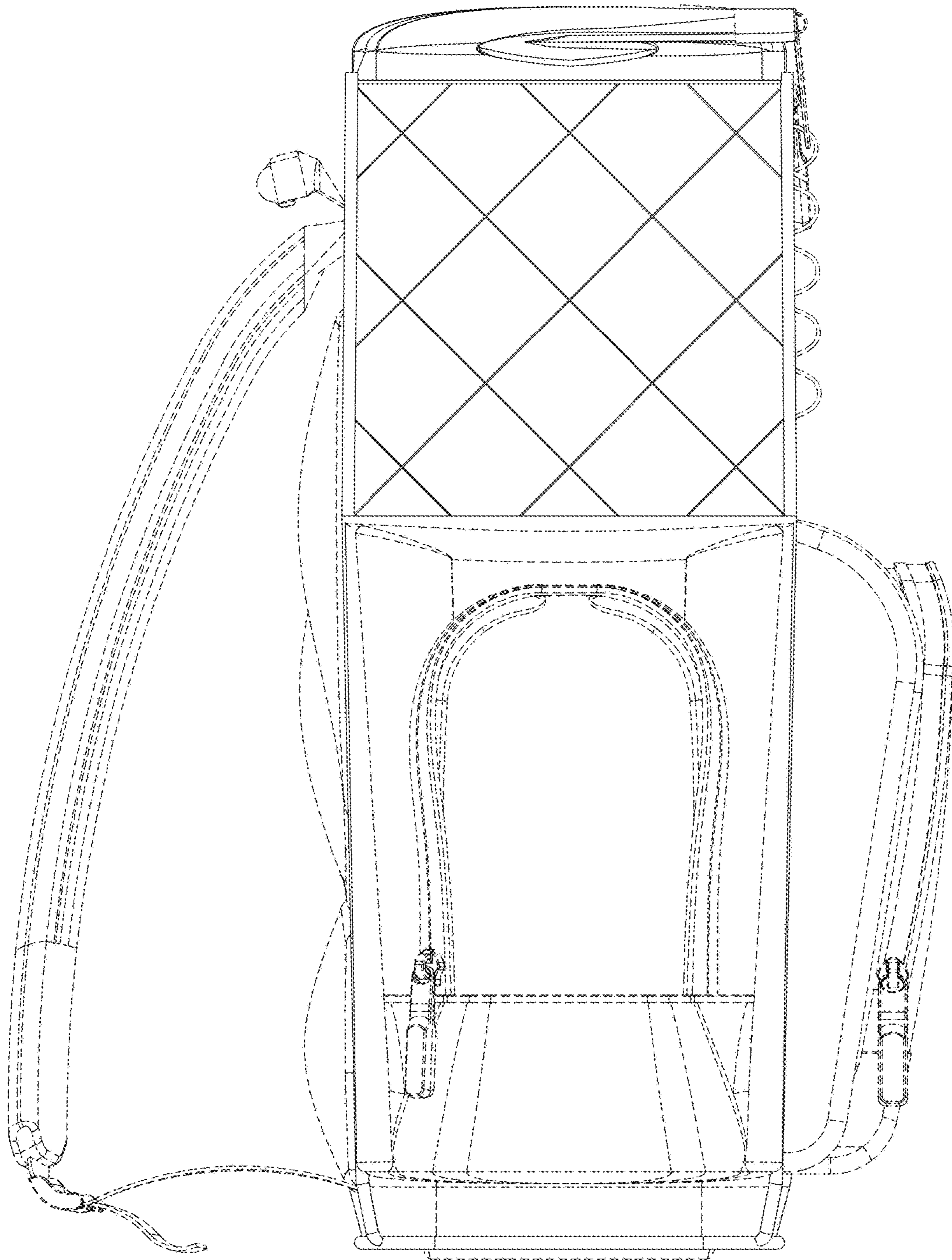


Fig. 3

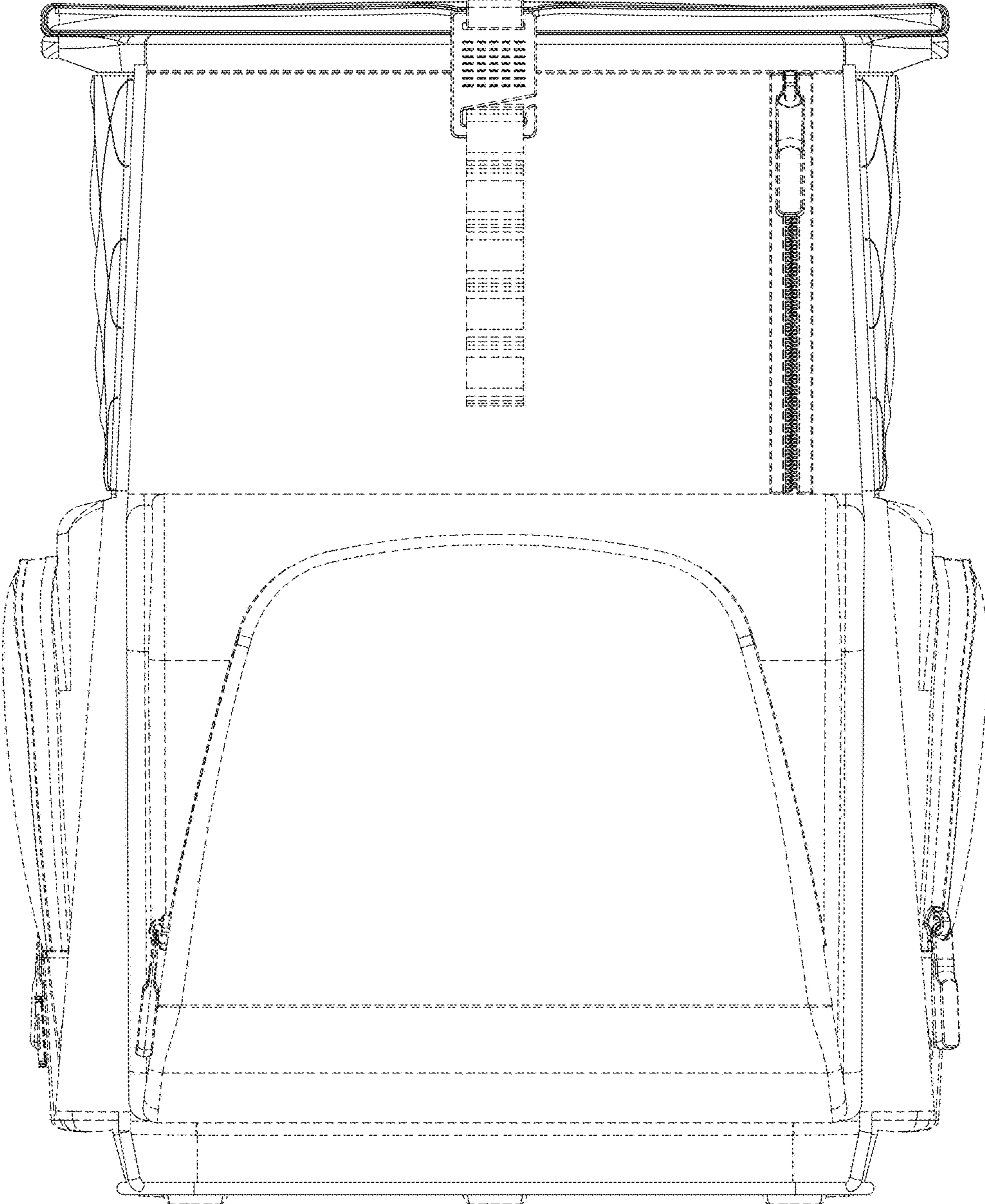


Fig. 4

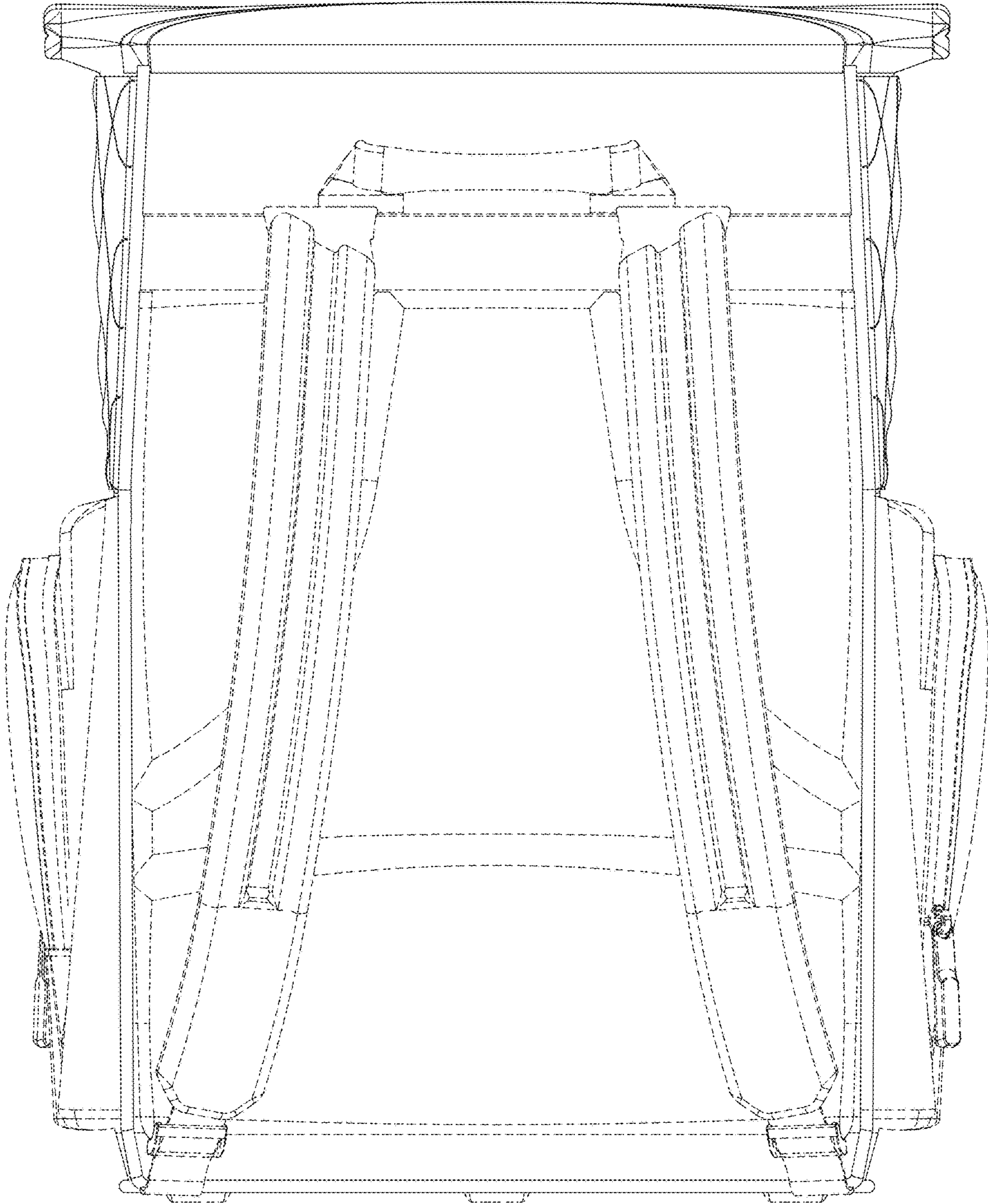


Fig. 5

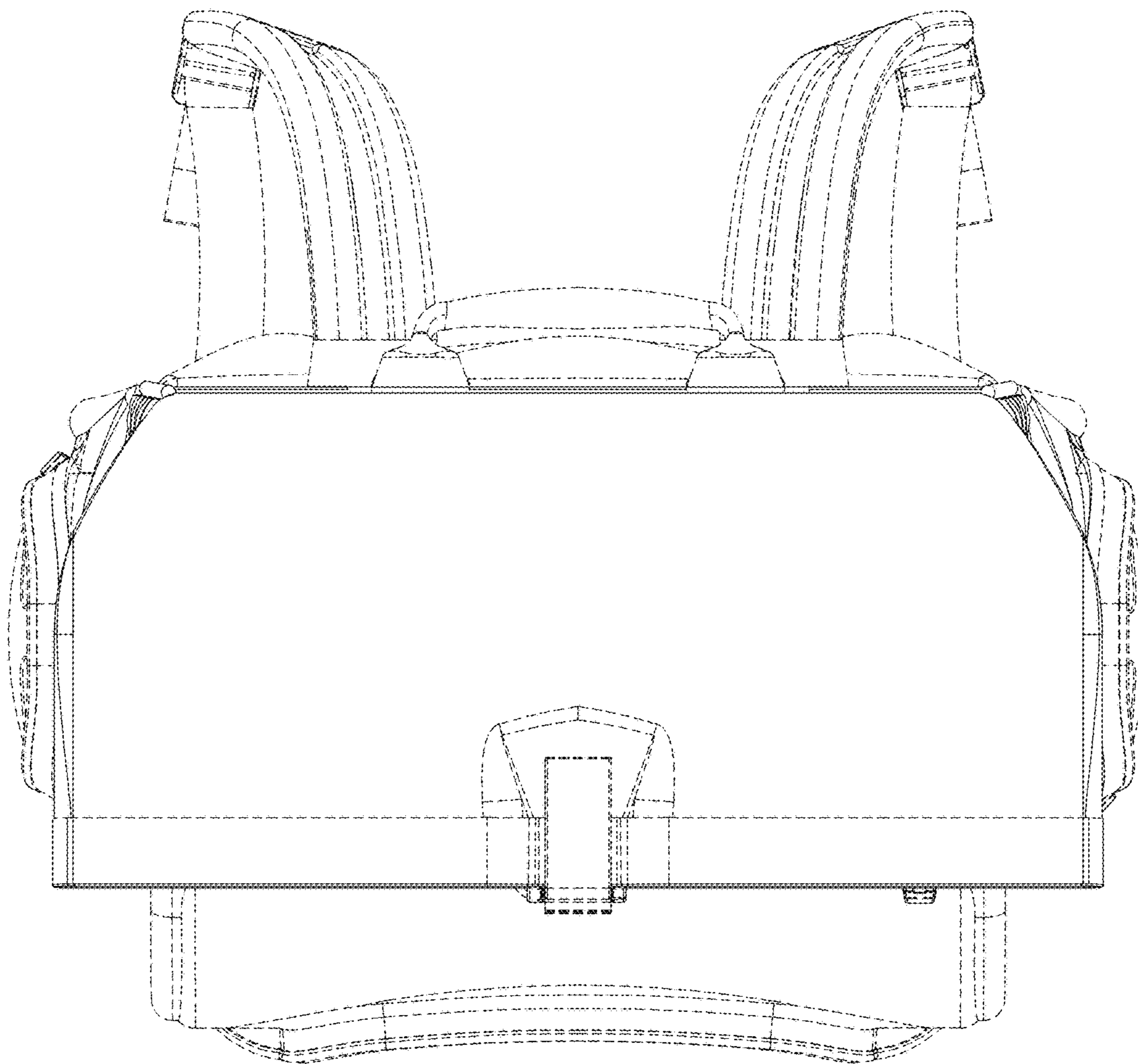


Fig. 6

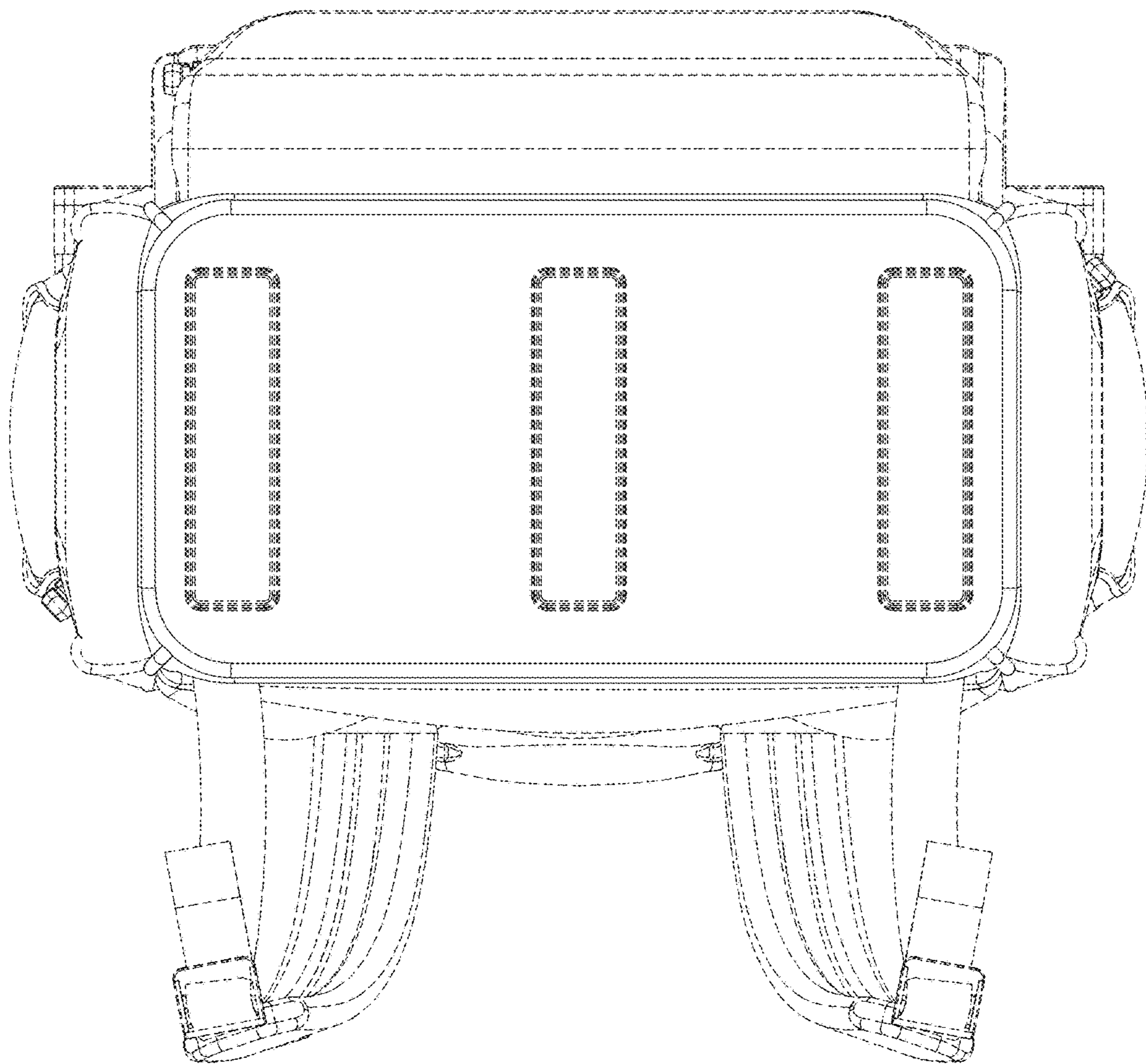


Fig. 7

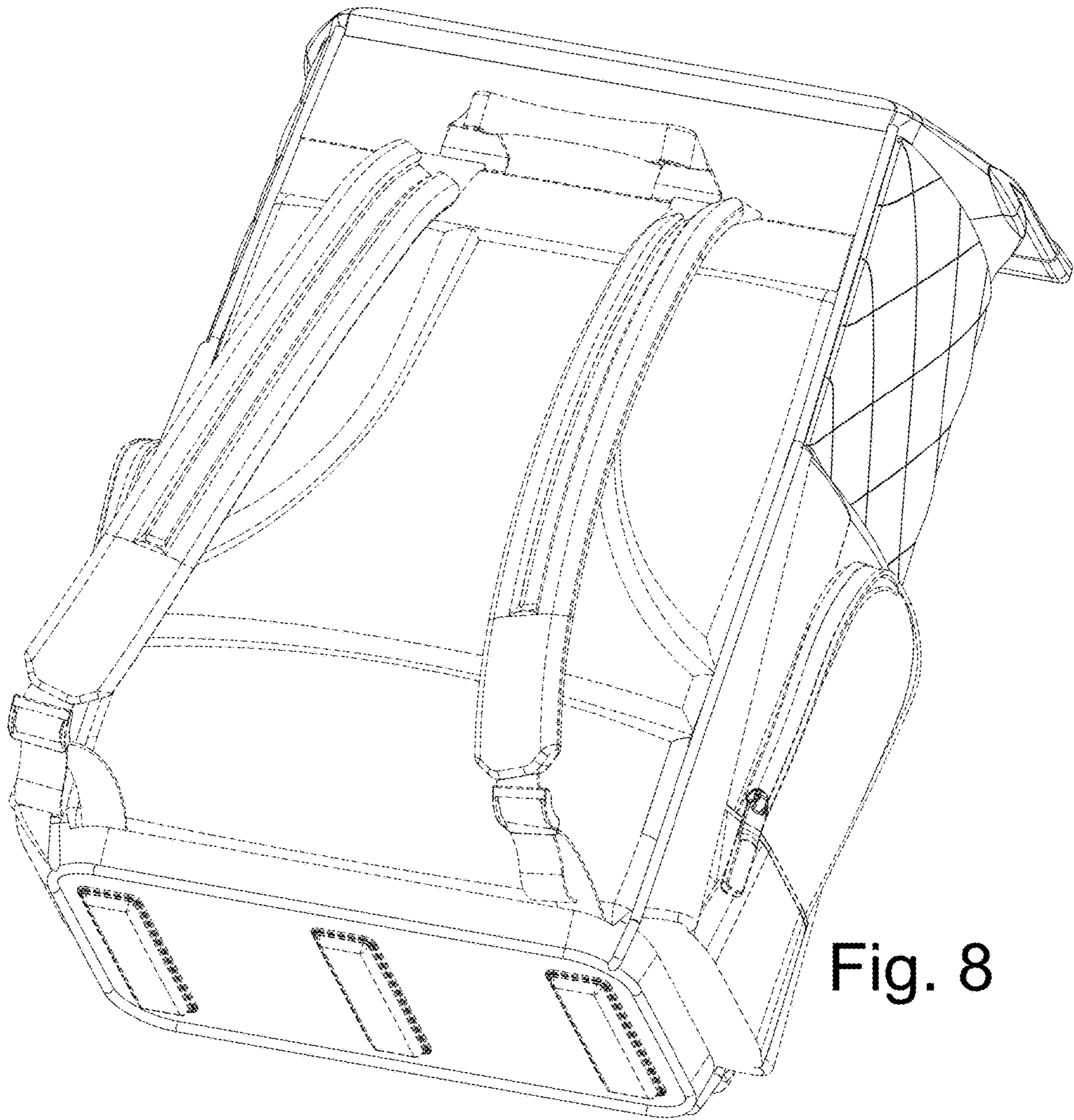


Fig. 8

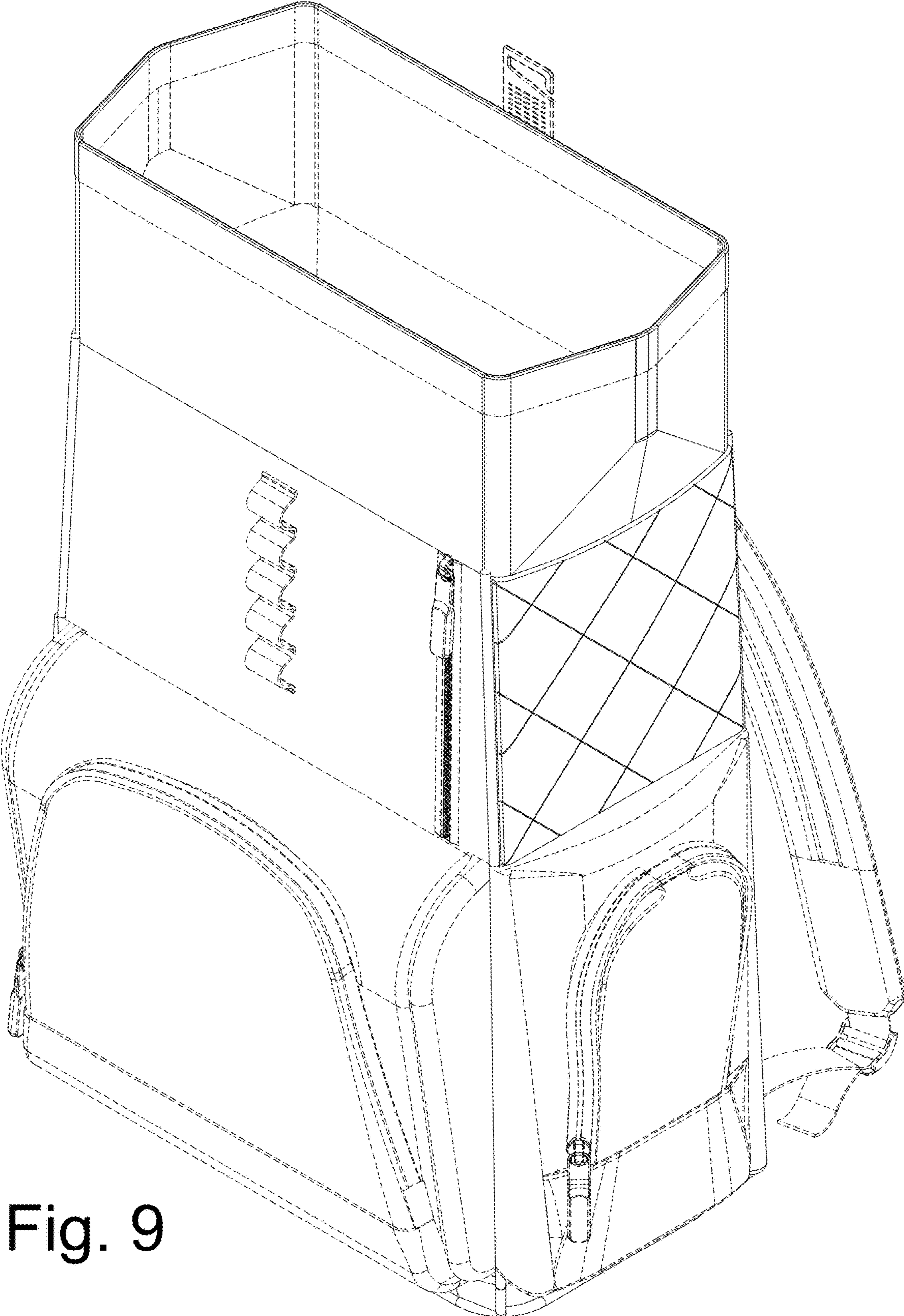


Fig. 9

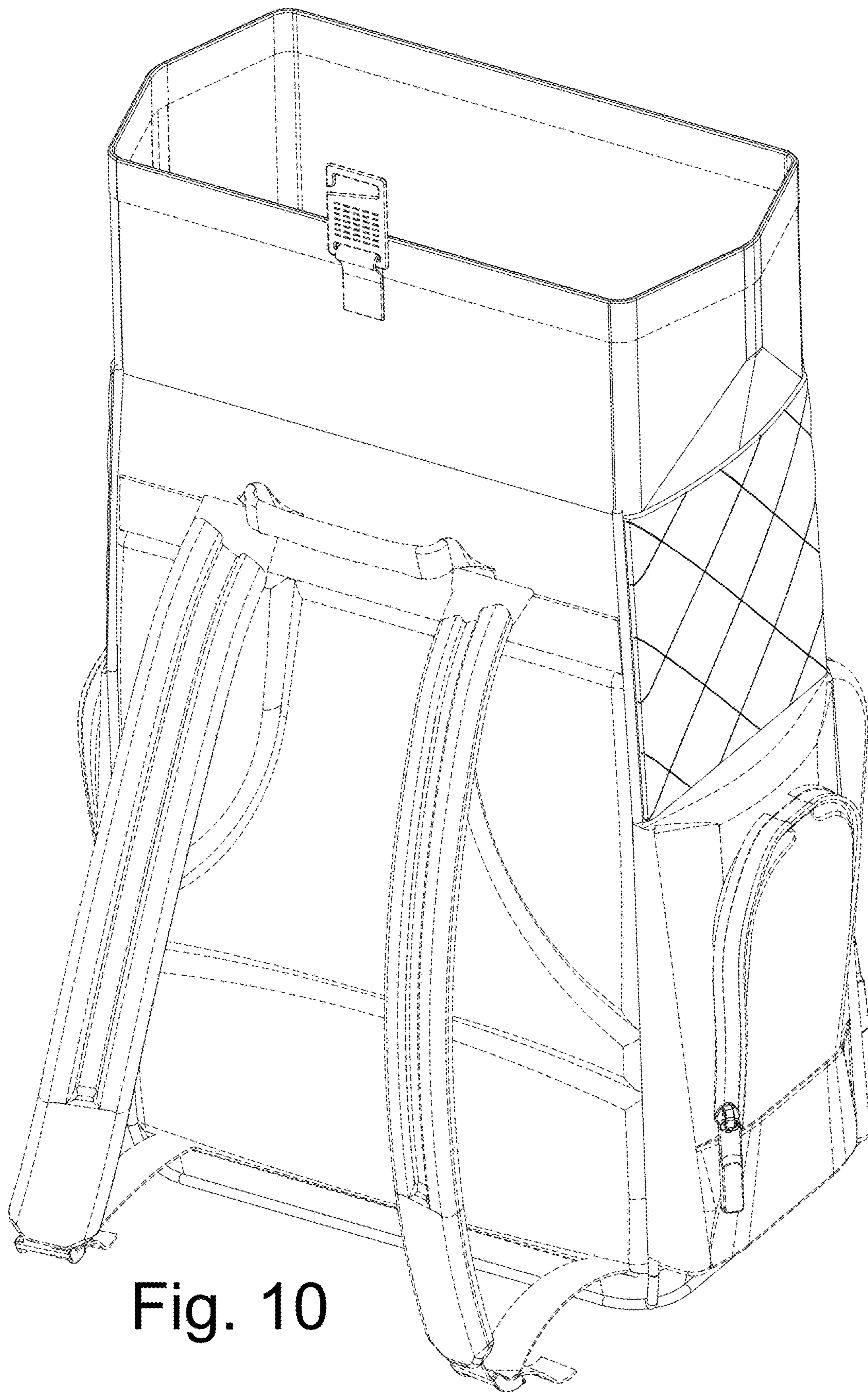


Fig. 10