



US00D840193S

(12) **United States Design Patent**
Thuma et al.

(10) **Patent No.:** **US D840,193 S**

(45) **Date of Patent:** **** Feb. 12, 2019**

(54) **SOFT-SIDE COOLER**

(71) Applicant: **Suncast Technologies, LLC**, Palm Beach Gardens, FL (US)

(72) Inventors: **Michael Thuma**, La Grange, IL (US);
Robert G. Kopp, Elburn, IL (US);
Michael R. Vogler, Oswego, IL (US)

(73) Assignee: **Suncast Technologies, LLC**, Palm Beach Gardens, FL (US)

(**) Term: **15 Years**

(21) Appl. No.: **29/619,385**

(22) Filed: **Sep. 28, 2017**

(51) **LOC (11) Cl.** **07-01**

(52) **U.S. Cl.**

USPC **D7/606**

(58) **Field of Classification Search**

USPC D7/603–608; D3/232, 233, 240–243,
D3/245, 246

CPC A45C 11/20; A45C 3/00; A45C 13/02;
F25D 2331/804; F25D 3/08; B65D 30/08;
B65D 81/3858; B65D 81/3823; B65D
81/3888; B65D 81/18; B65D 3/04; B65D
8/18

See application file for complete search history.

(56) **References Cited**

U.S. PATENT DOCUMENTS

2,289,254 A * 7/1942 Eagles A45C 11/20
220/592.01
2,661,785 A * 12/1953 Daust A45C 11/20
206/457

6,298,993 B1 * 10/2001 Kalozdi A45C 3/00
150/106

D718,931 S * 12/2014 Brundl D3/232

2011/0167863 A1 * 7/2011 Herrbold A45C 13/02
62/457.1

2015/0225164 A1 * 8/2015 Seiders B65D 81/3858
220/592.25

2016/0338462 A1 * 11/2016 Hayashi A45C 13/26

* cited by examiner

Primary Examiner — Terry A Wallace

(74) *Attorney, Agent, or Firm* — McHale & Slavin, P.A.

(57) **CLAIM**

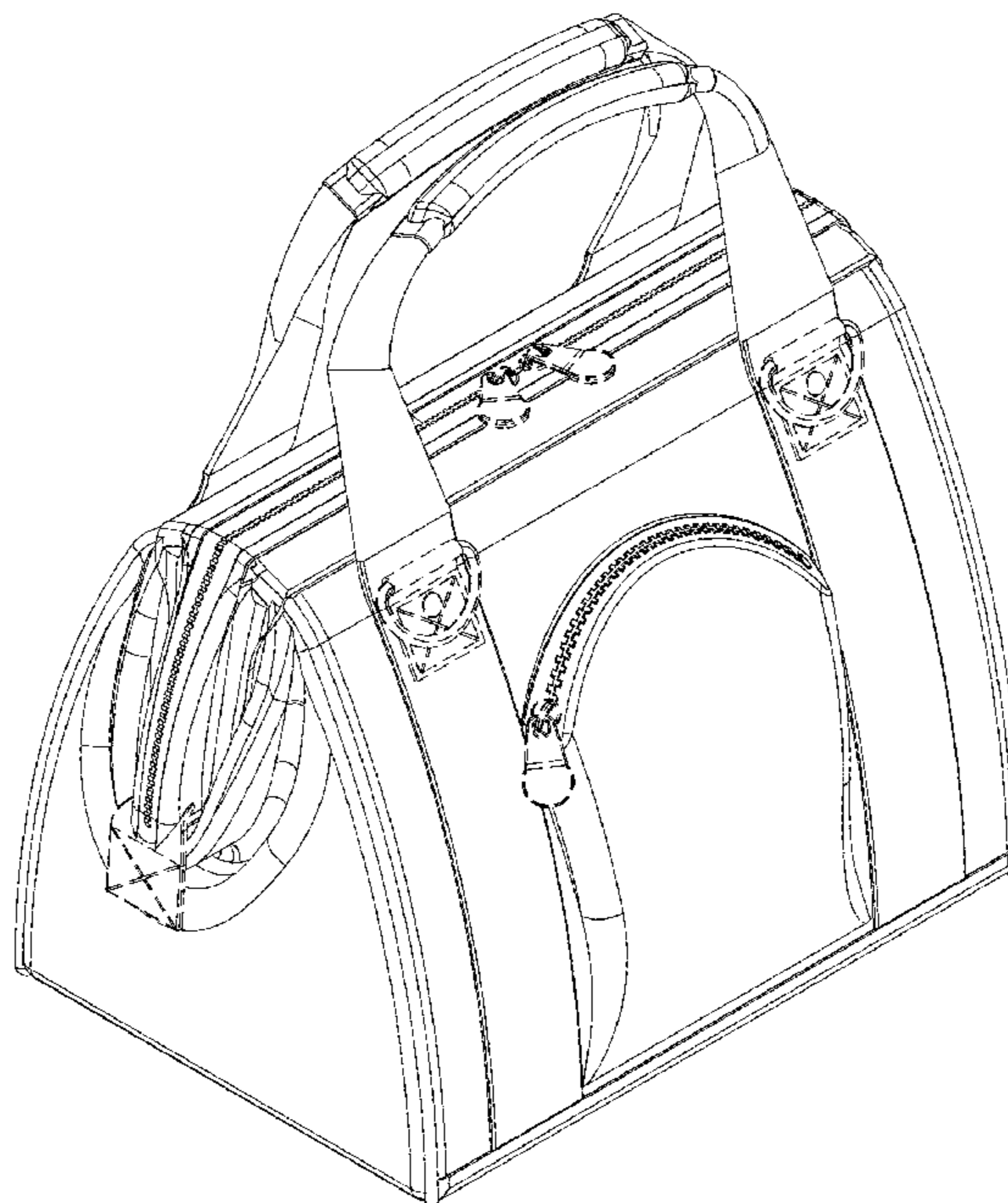
The ornamental design for a soft-side cooler, as shown and described.

DESCRIPTION

FIG. 1 is a front top left perspective view of the soft-side cooler of the present invention;
FIG. 2 is a right side view thereof;
FIG. 3 is a left side view thereof;
FIG. 4 is a front view thereof;
FIG. 5 is a rear view thereof;
FIG. 6 is a top view thereof;
FIG. 7 is a bottom view thereof;
FIG. 8 is a front bottom left perspective view thereof; and,
FIG. 9 is a front top right perspective view thereof.

The portions of the soft-side cooler illustrated in broken lines form no part of the design claim for the soft-side cooler.

1 Claim, 9 Drawing Sheets



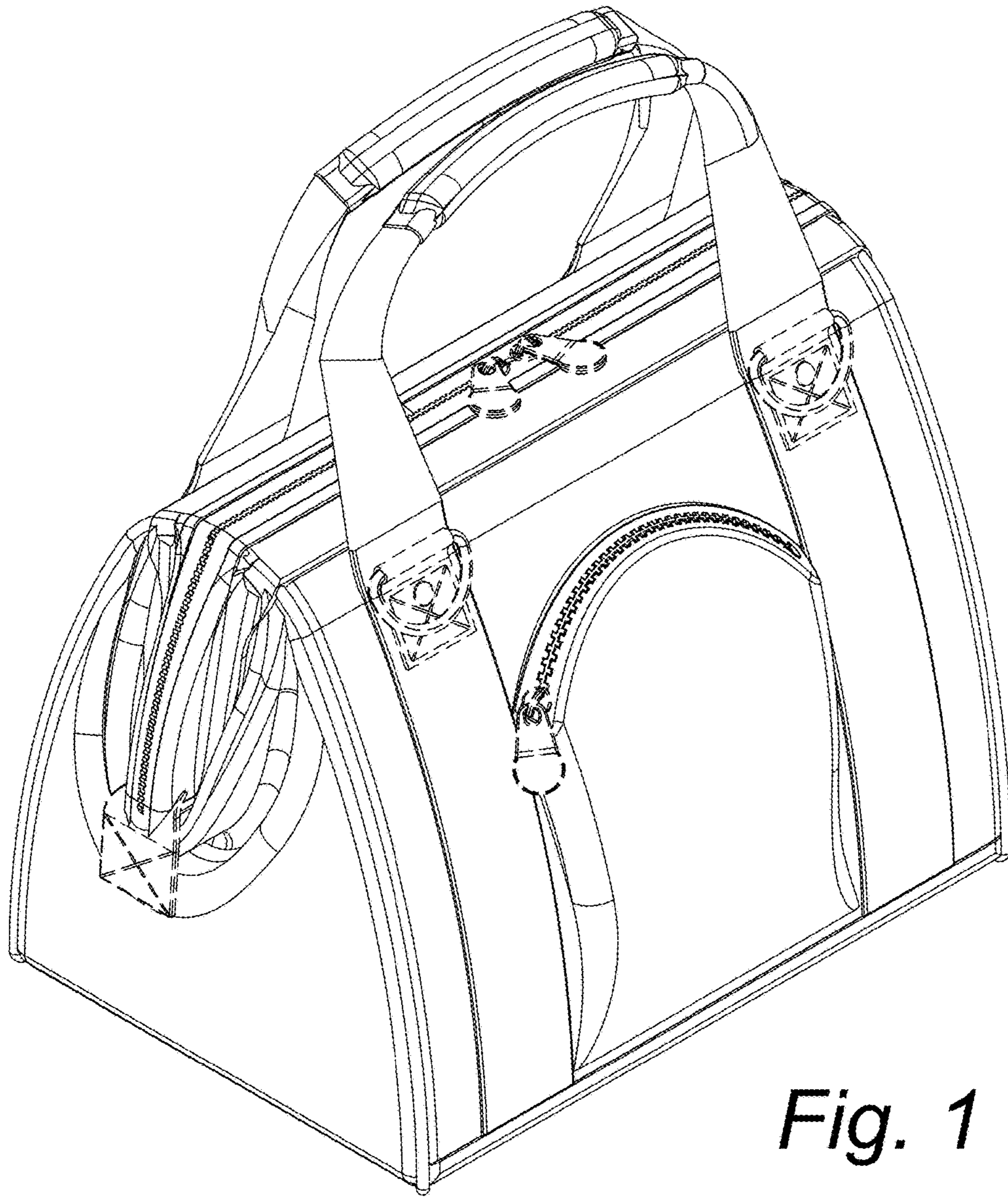


Fig. 1

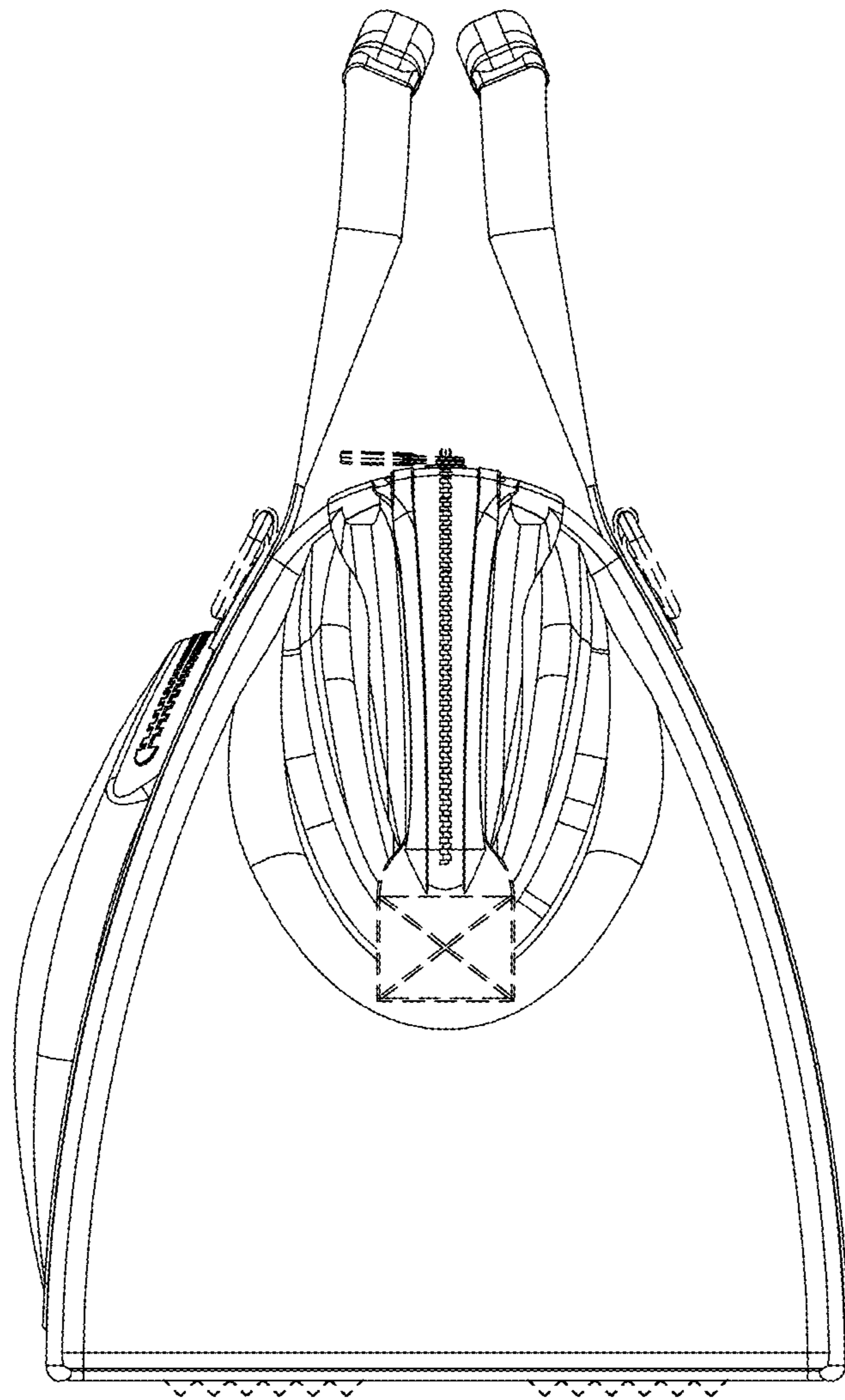


Fig. 2

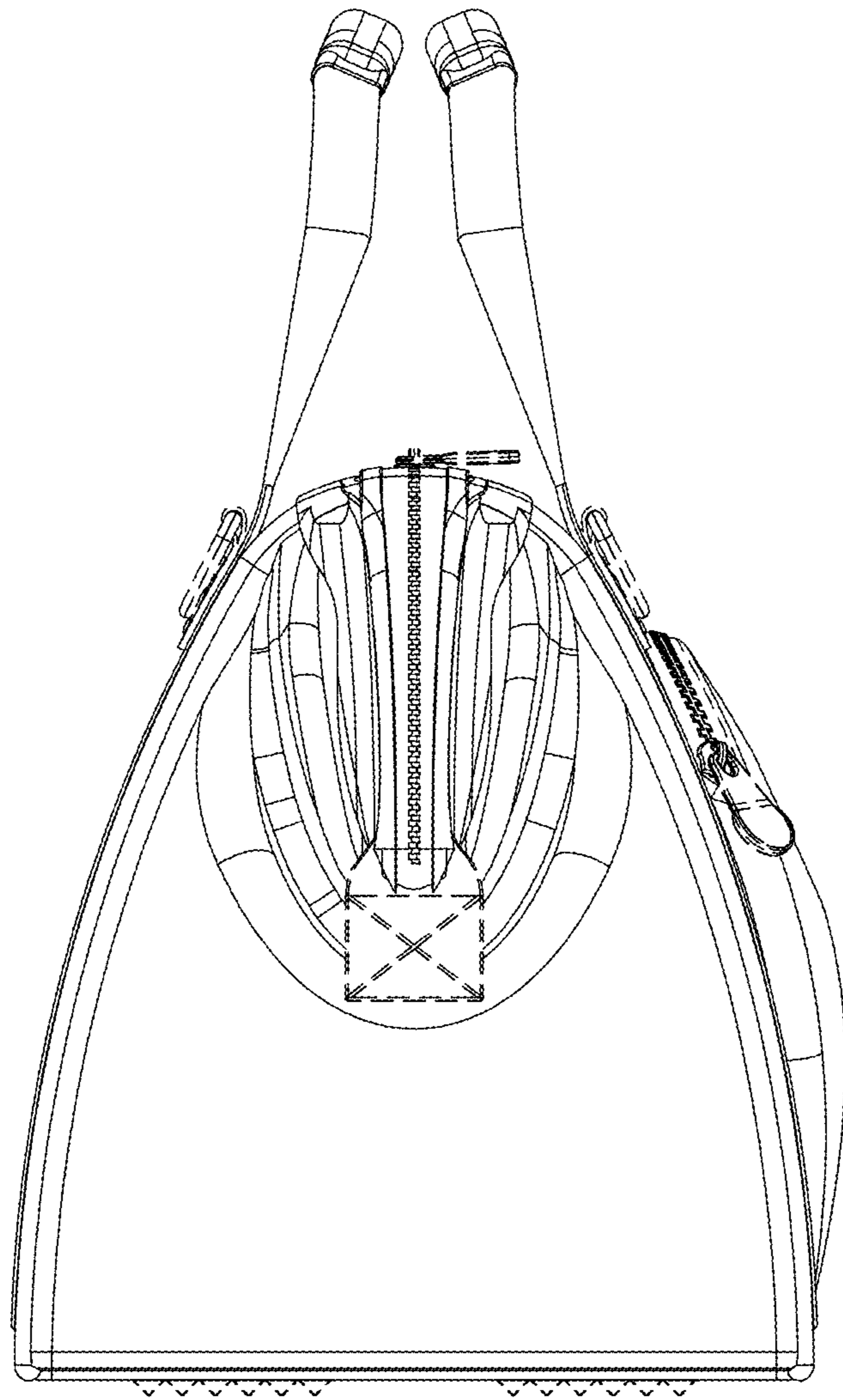


Fig. 3

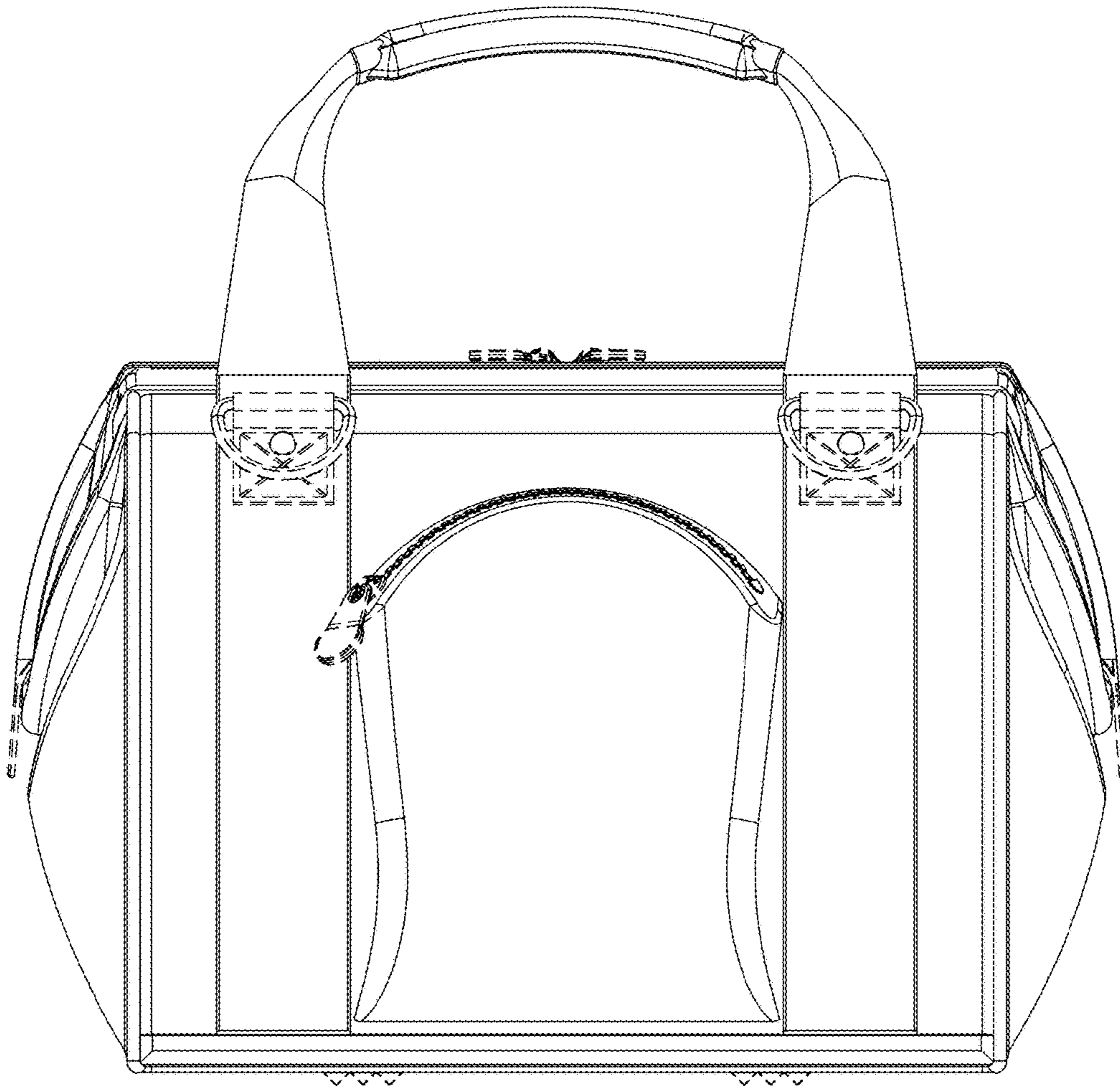


Fig. 4

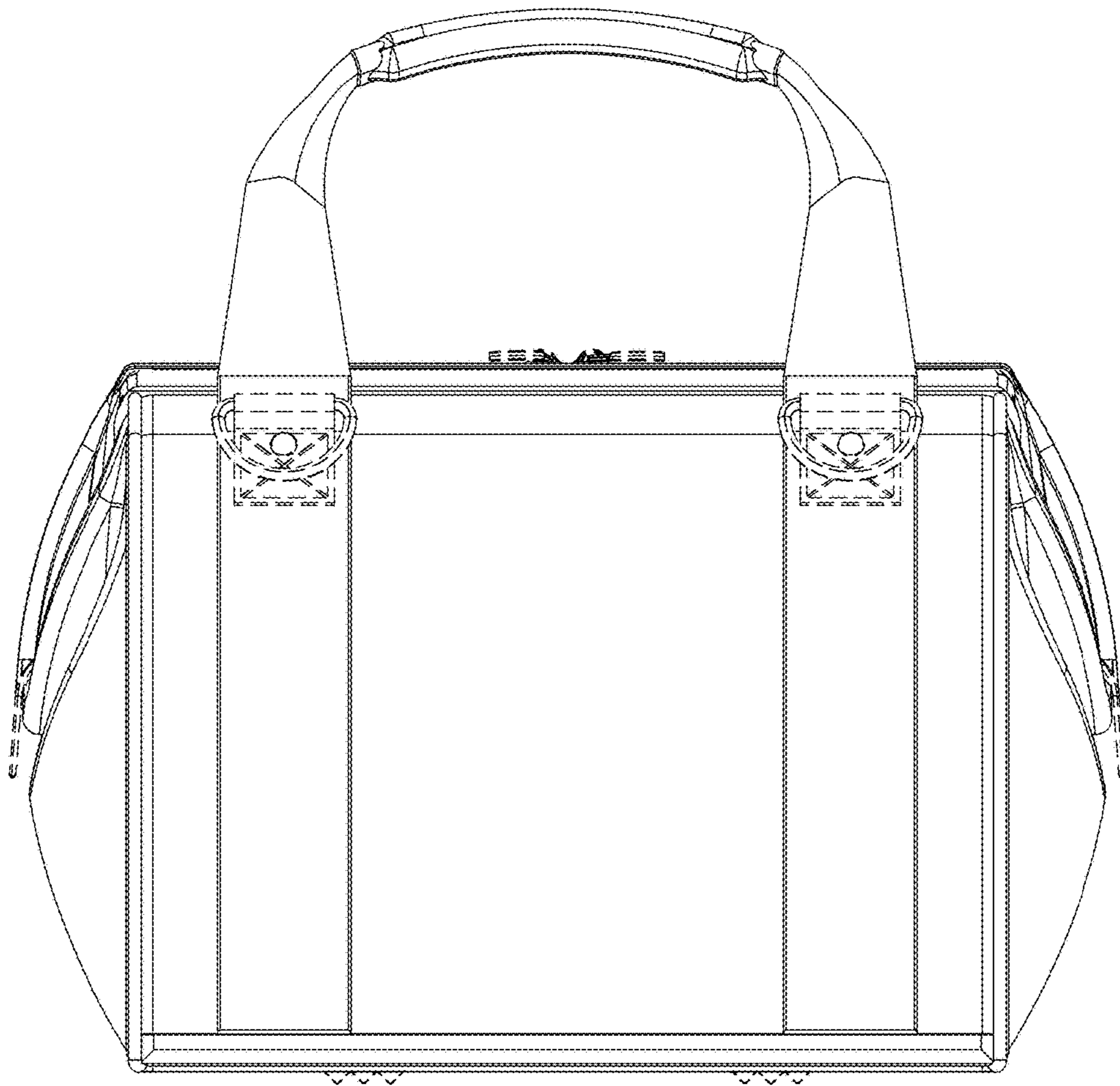


Fig. 5

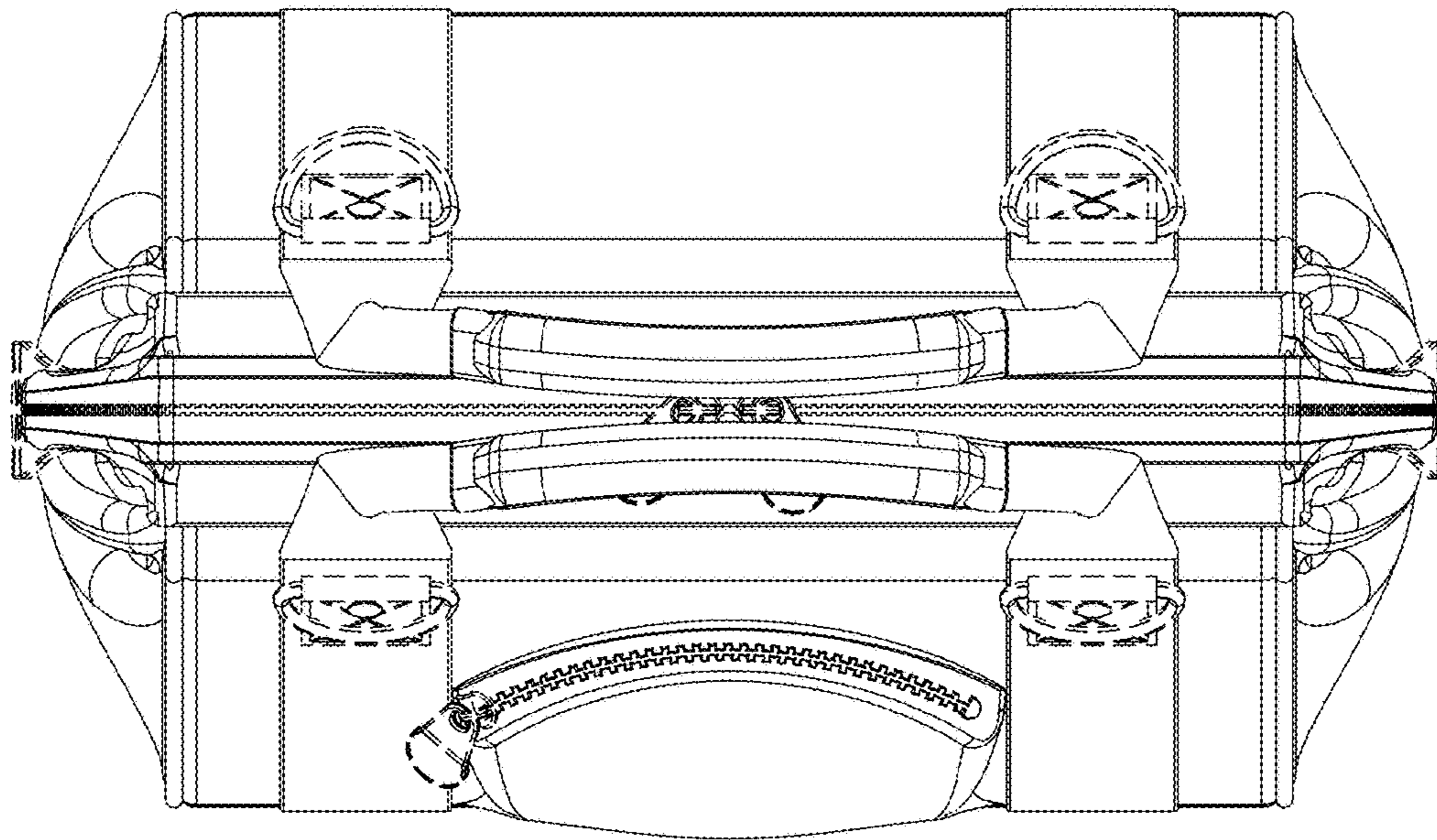


Fig. 6

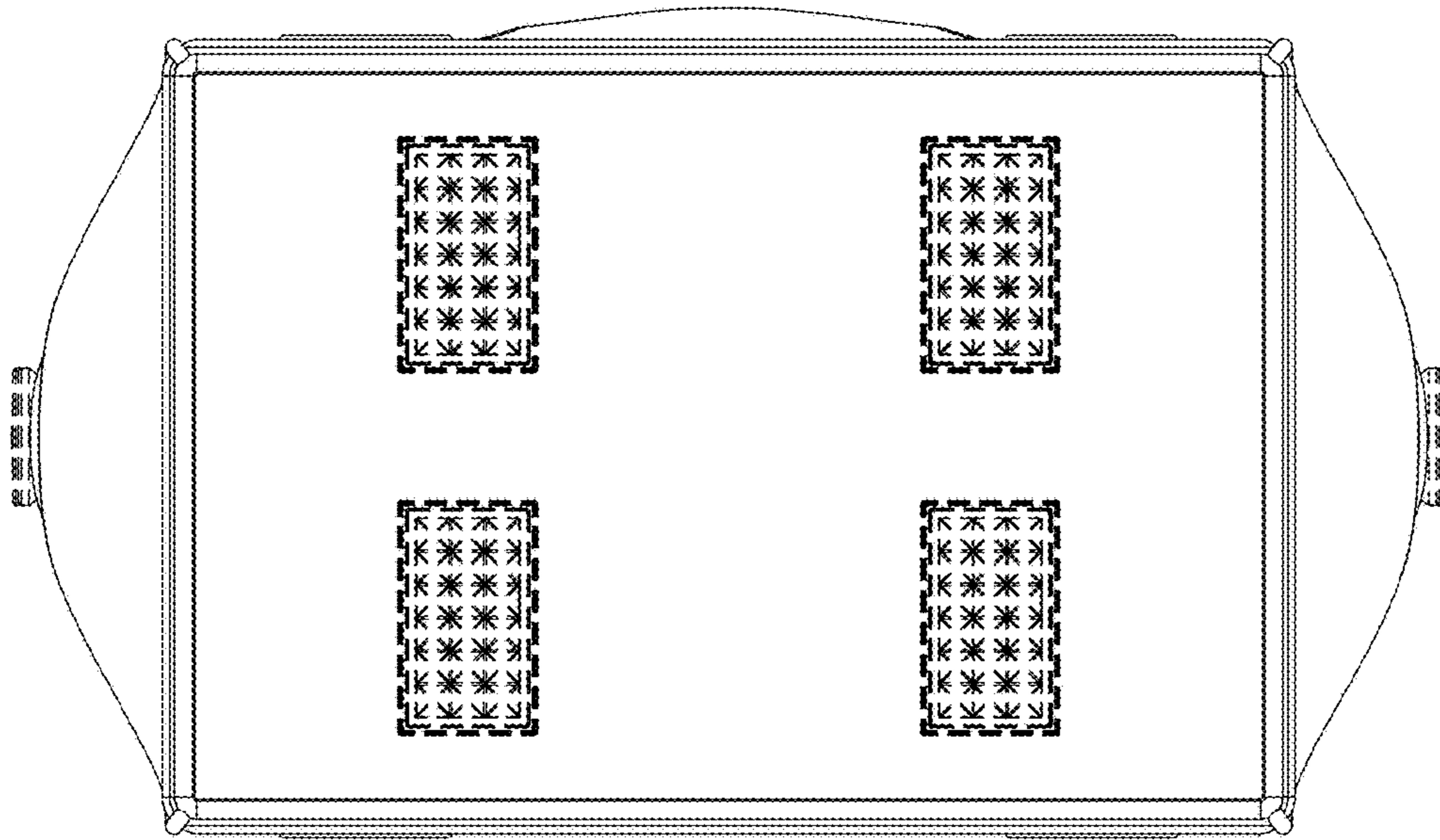


Fig. 7

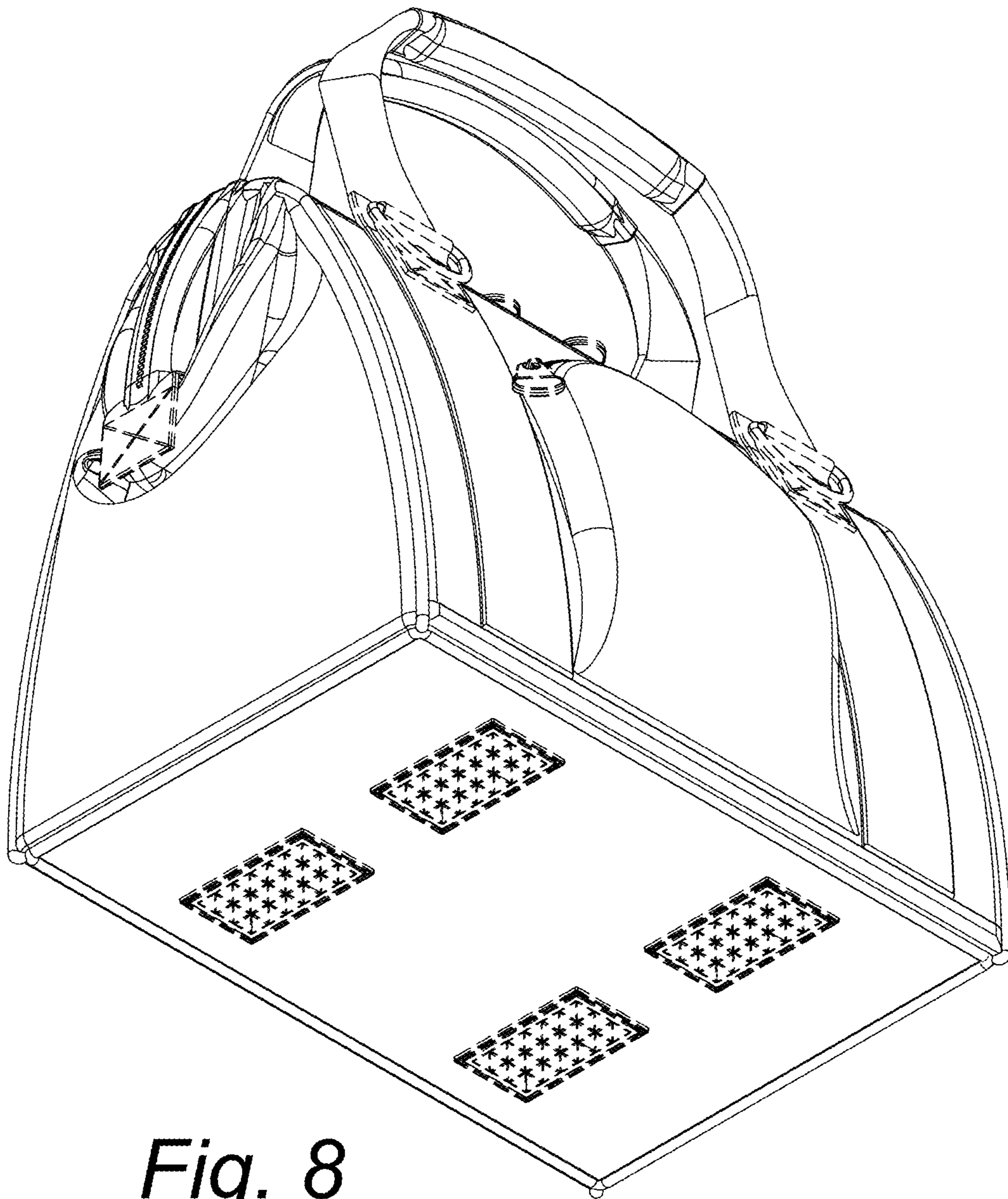


Fig. 8

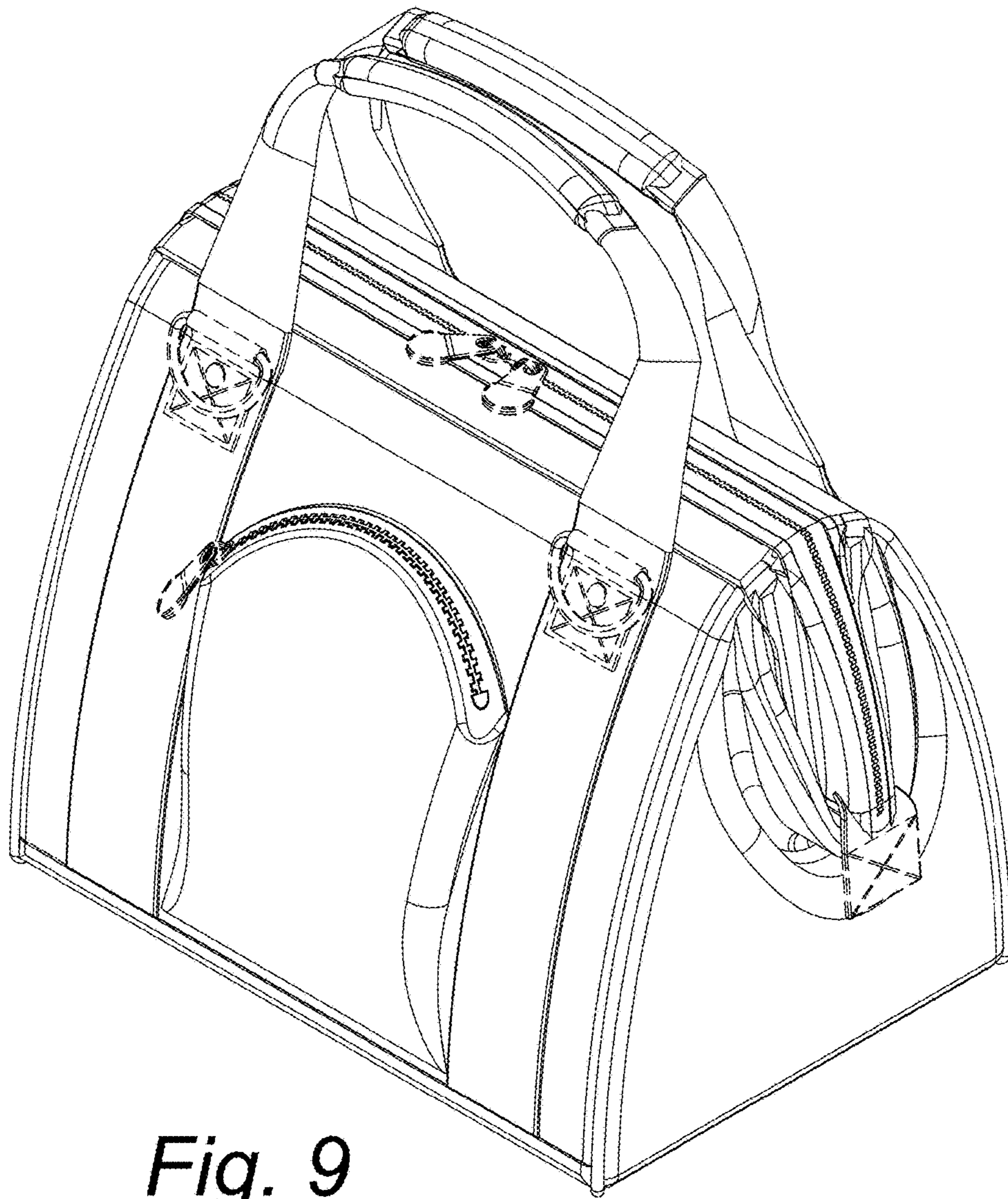


Fig. 9