



US00D840192S

(12) **United States Design Patent**
Khayman

(10) **Patent No.:** **US D840,192 S**

(45) **Date of Patent:** **** Feb. 12, 2019**

- (54) **ESPRESSO GLASS WITH SAUCER**
- (71) Applicant: **Yevgeniy Khayman**, Staten Island, NY (US)
- (72) Inventor: **Yevgeniy Khayman**, Staten Island, NY (US)
- (**) Term: **15 Years**

- 3,762,591 A * 10/1973 Gray A47G 19/2283
215/393
- D247,839 S * 5/1978 Ashton D7/507
- D251,347 S * 3/1979 Andersen D7/584
- D285,656 S * 9/1986 Champion D7/511
- D460,321 S * 7/2002 Ross D7/506
- D461,683 S * 8/2002 Bodum D7/507
- D505,828 S * 6/2005 Snell D7/396.2
- D526,848 S * 8/2006 Bodum D7/509
- D538,598 S * 3/2007 Haataja D7/523
- D553,440 S * 10/2007 Bodum D7/500

(Continued)

(21) Appl. No.: **29/610,590**

(22) Filed: **Jul. 13, 2017**

(51) **LOC (11) Cl.** **07-01**

(52) **U.S. Cl.**
USPC **D7/507**

(58) **Field of Classification Search**
USPC D7/505, 507, 509, 510, 511, 523, 530,
D7/531, 532, 300.1, 512, 513, 396.1,
D7/396.2, 552.2, 553.6, 584, 672, 554.3,
D7/557, 560, 562, 635, 586, 576;
220/592.16, 592.17; D9/453, 570, 557,
D9/556, 569, 424, 429; D10/46.2
CPC A47G 19/22; A47G 19/2205; A47G
19/2266; A47G 19/2227; B65D 1/265;
B65D 3/06; A45F 3/20

See application file for complete search history.

(56) **References Cited**

U.S. PATENT DOCUMENTS

- D4,225 S * 7/1870 Atterbury et al. D9/500
- 2,210,283 A * 8/1940 Cowan A47G 19/23
206/502
- 2,765,640 A * 10/1956 Hood, Jr. A47G 19/2283
220/23.83
- 2,799,147 A * 7/1957 Crawford, Jr. A47G 19/2283
220/23.83
- 2,850,079 A * 9/1958 Prushnok A47G 19/10
248/310
- D205,534 S * 8/1966 Gulotta D7/507
- D216,215 S * 12/1969 Swett D7/505
- 3,632,015 A * 1/1972 Barth A47G 23/02
215/393

OTHER PUBLICATIONS

https://www.amazon.com/Coffee-Passion-Macchiato-Villeroy-Boch/dp/B073FPHDYH/ref=sr_1_fkmr0_2?ie=UTF8&qid=1537551494&sr=8-2-fkmr0&keywords=villeroy+%26+boch+coffee+passion+latte+macchiato+glass Nov. 3, 2017 Villeroy & Boch Macchiato Glass and Saucer.*

(Continued)

Primary Examiner — Marianne N Pandozzi
Assistant Examiner — Jae Liang
(74) *Attorney, Agent, or Firm* — IDP Patent Services;
Olav M. Underdal

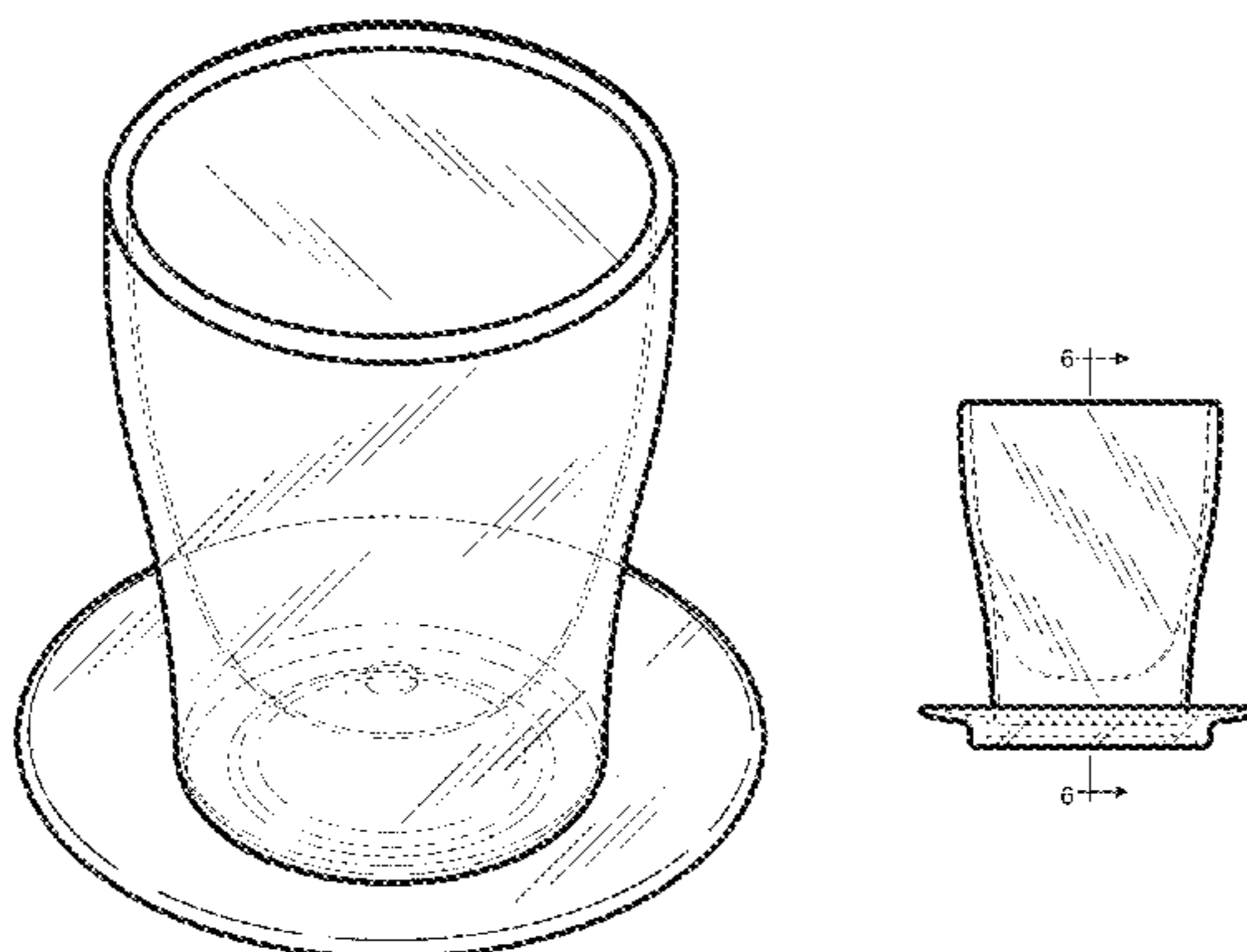
(57) **CLAIM**

The ornamental design for an espresso glass with saucer, as shown and described.

DESCRIPTION

FIG. 1 is a top perspective view of an espresso glass with saucer showing my new design;
FIG. 2 is a bottom perspective view thereof;
FIG. 3 is a top plan view thereof in a reduced scale;
FIG. 4 is a front elevational view thereof in a reduced scale; all sides being the same;
FIG. 5 is a bottom plan view thereof in a reduced scale;
FIG. 6 is a cross-sectional view thereof taken along section 6-6 of FIG. 4; and,
FIG. 7 is an exploded top perspective view thereof.

1 Claim, 5 Drawing Sheets



(56)

References Cited

U.S. PATENT DOCUMENTS

D563,172	S	*	3/2008	Bodum	D7/509
D565,904	S	*	4/2008	Bodum	D7/509
D569,183	S	*	5/2008	Blake	D7/509
D583,111	S	*	12/2008	Molina-Justin	D30/125
D623,477	S	*	9/2010	Ross	D7/523
D646,122	S	*	10/2011	Burns	D7/505
D711,192	S	*	8/2014	Picozza	D7/300.1
D742,698	S	*	11/2015	Kellow, Jr.	D7/553.8
D781,659	S	*	3/2017	Kellow, Jr.	D7/553.8
D806,478	S	*	1/2018	Struggl	D7/523
D810,511	S	*	2/2018	Harrington, III	D7/511
2014/0305927	A1	*	10/2014	Alexander	A47G 19/027 219/387
2015/0250340	A1	*	9/2015	Liu	B65D 43/02 220/254.9
2017/0192664	A1	*	7/2017	Liu	G06F 1/1613
2017/0196236	A1	*	7/2017	Hill	A47G 19/22

OTHER PUBLICATIONS

https://www.amazon.com/Vialli-Design-Espresso-Saucer-Double/dp/B017HX16X2/ref=sr_1_1?s=home-garden&ie=UTF8&qid=1537551725&sr=1-1&keywords=Vialli+Design+2+Pcs+Espresso+Cup&dpID=31kzfvD0NEL&preST=_SX300_QL70_&dpSrc=srch
May 22, 2017 Vialli Design Espresso Cup with Saucer.*

* cited by examiner

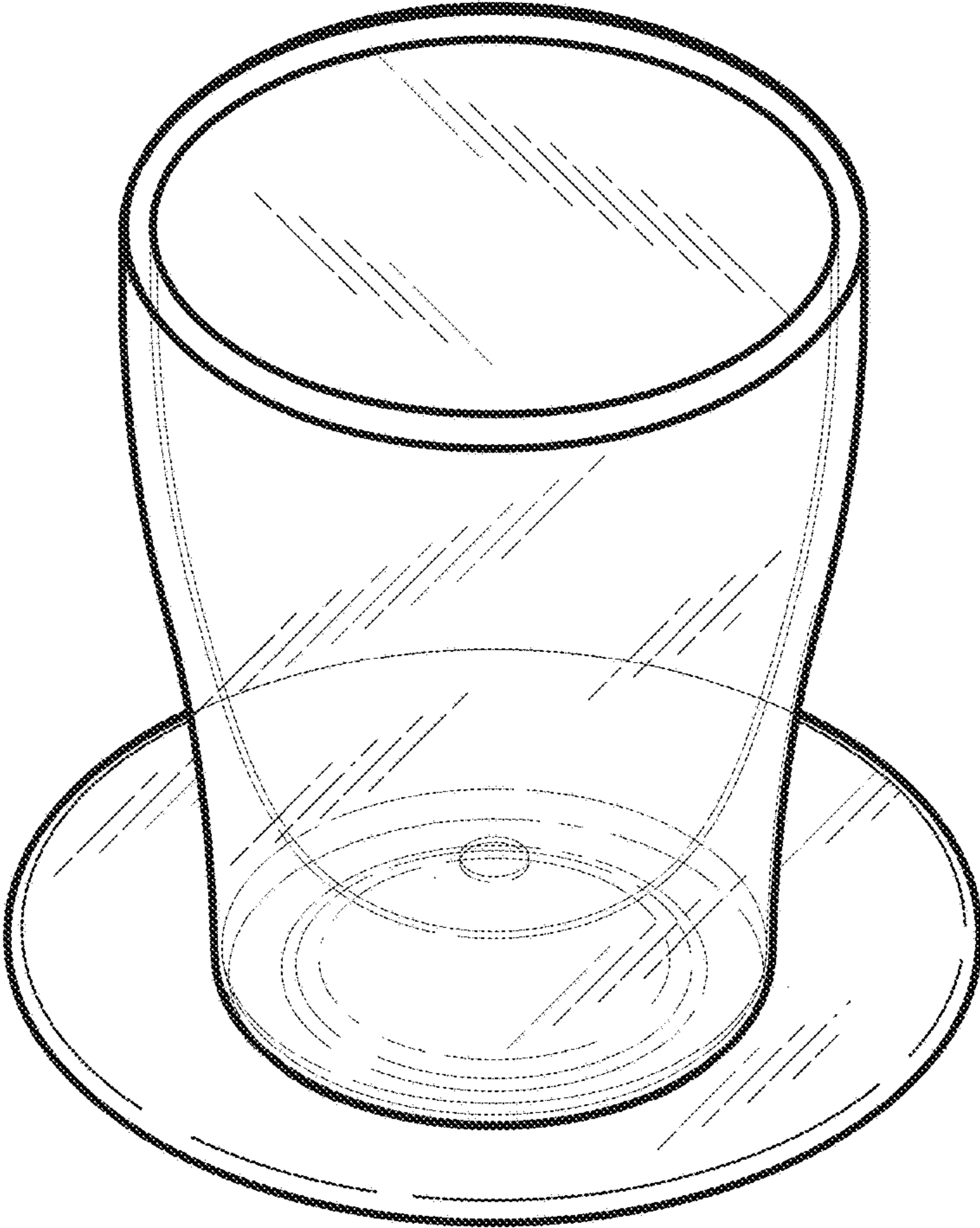


FIG. 1

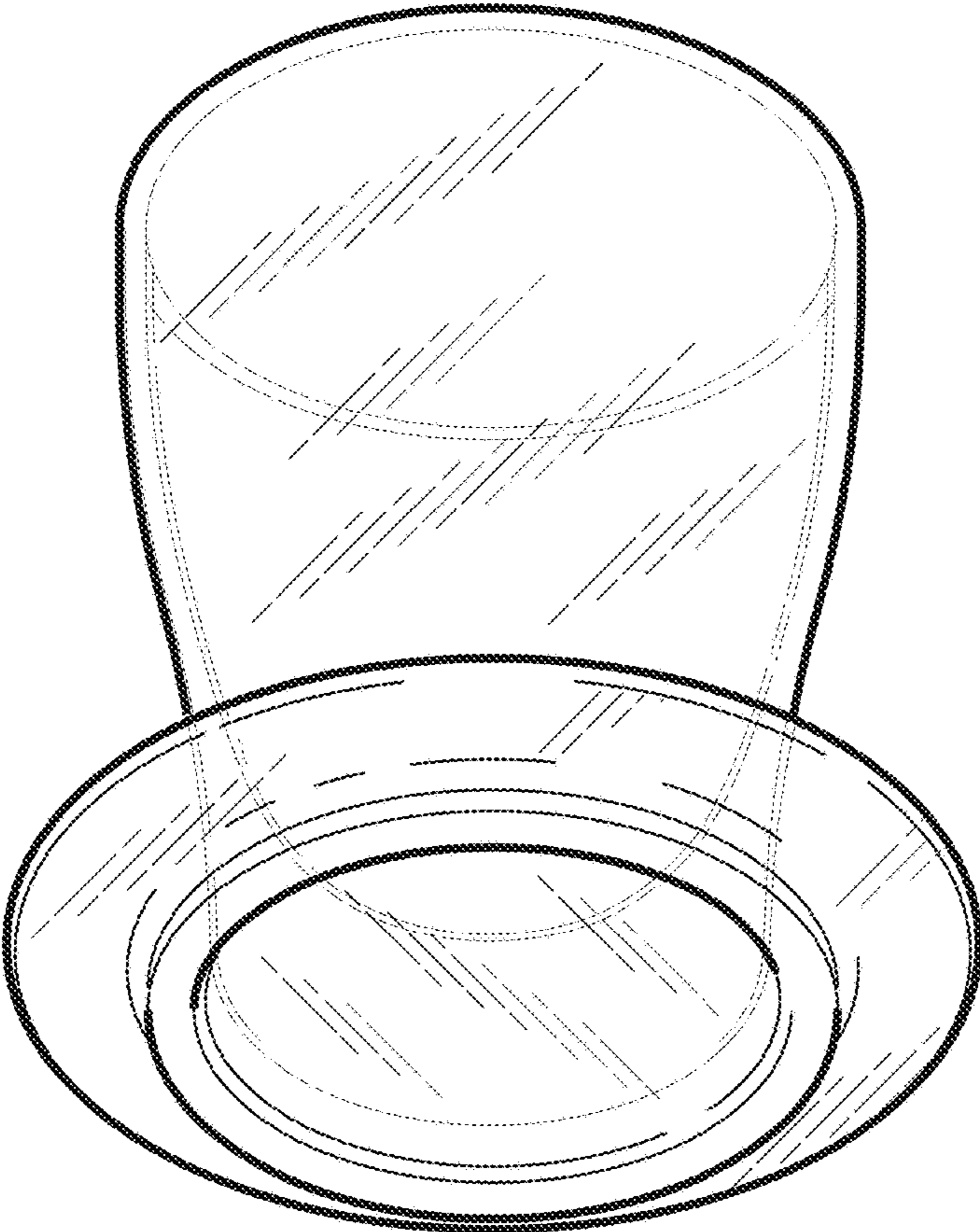


FIG. 2

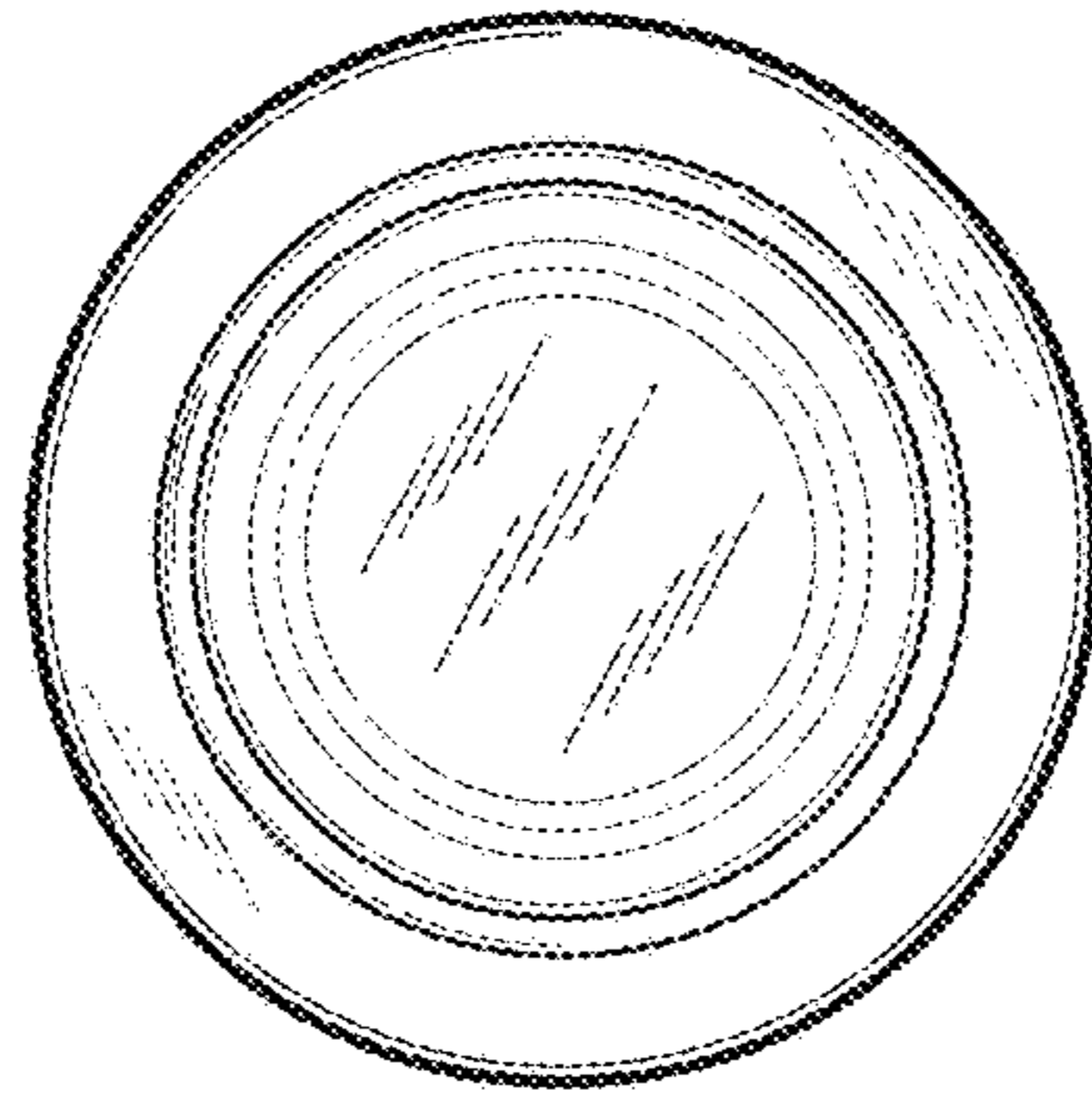


FIG. 3

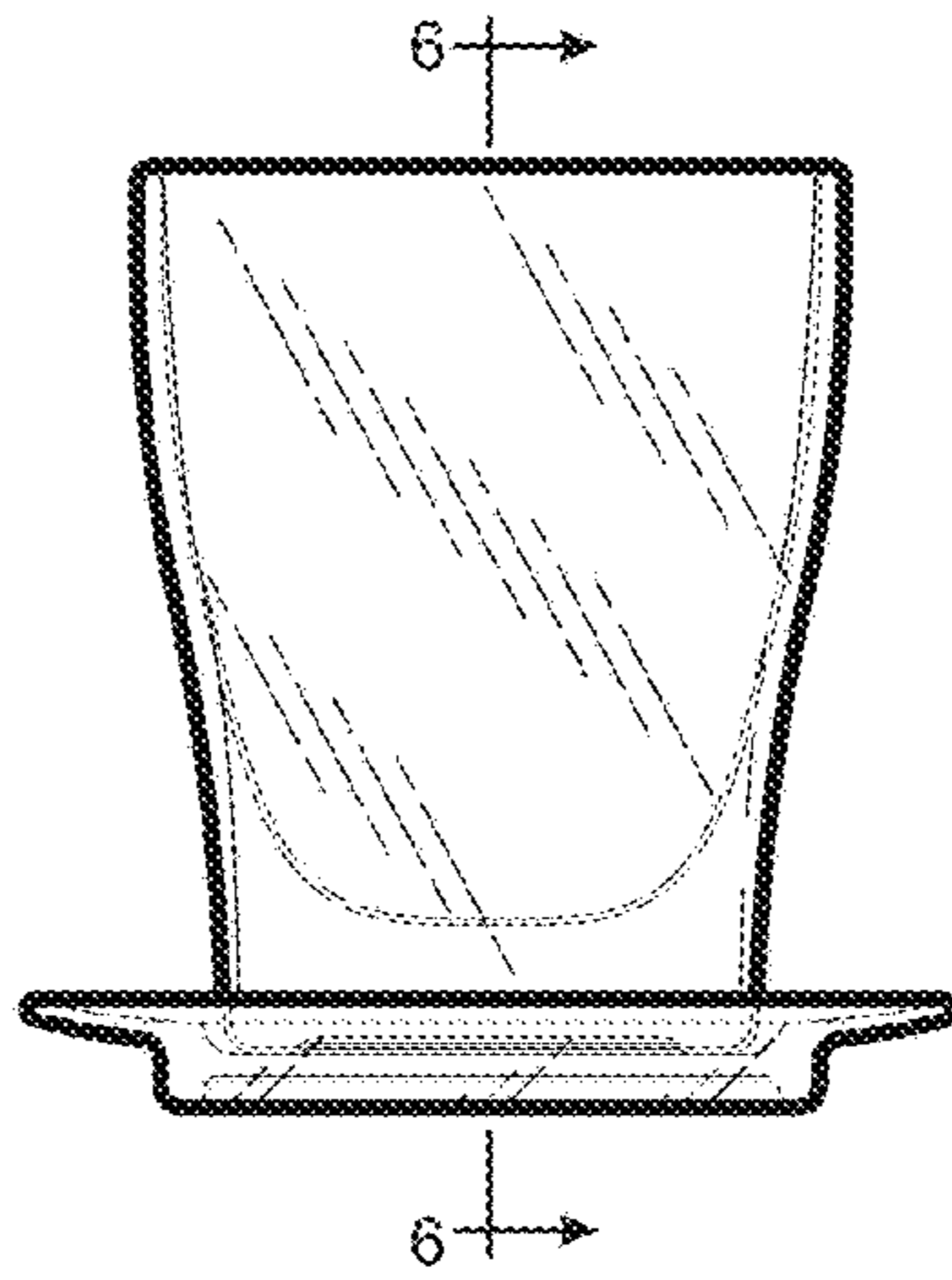


FIG. 4

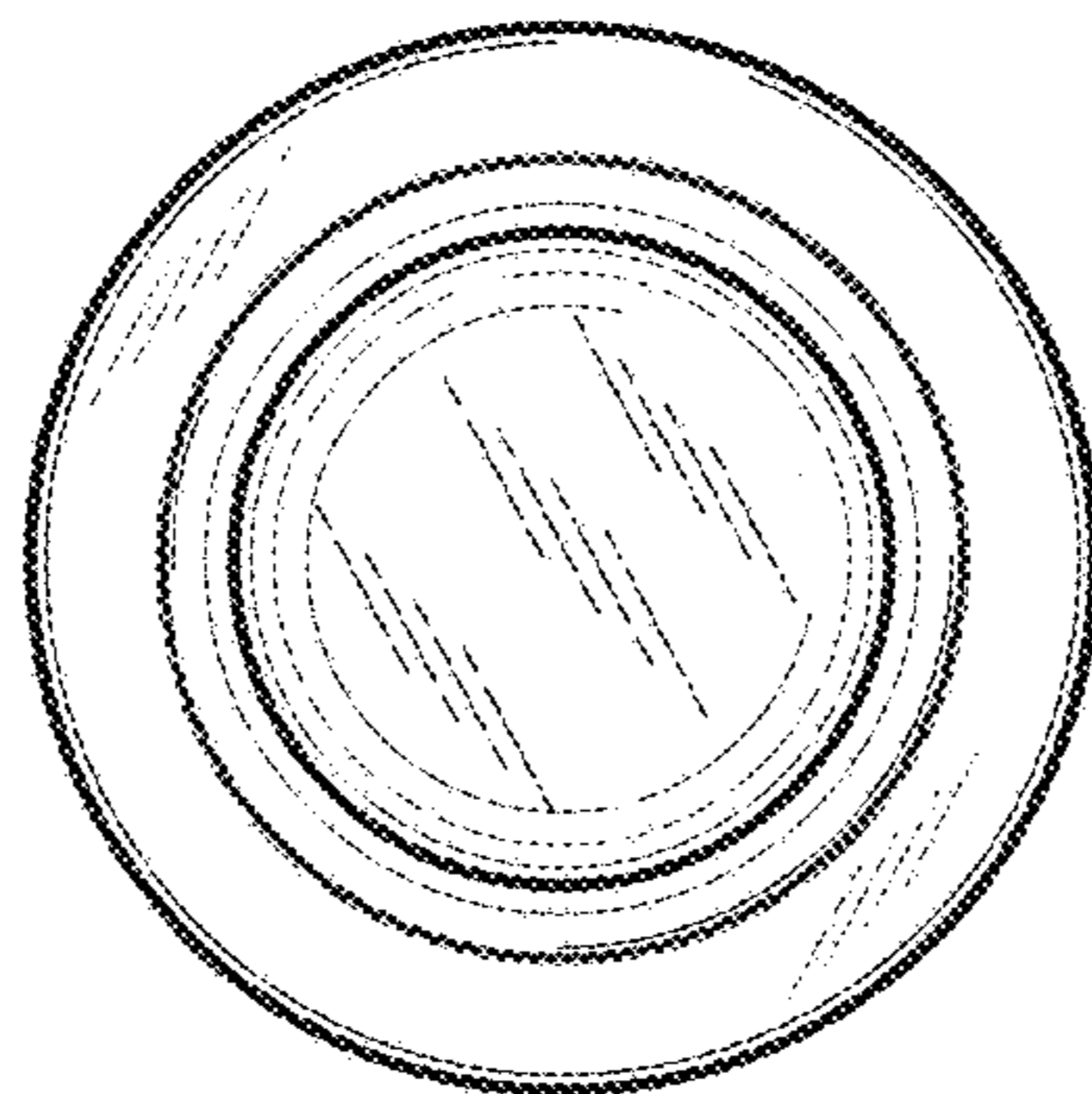


FIG. 5

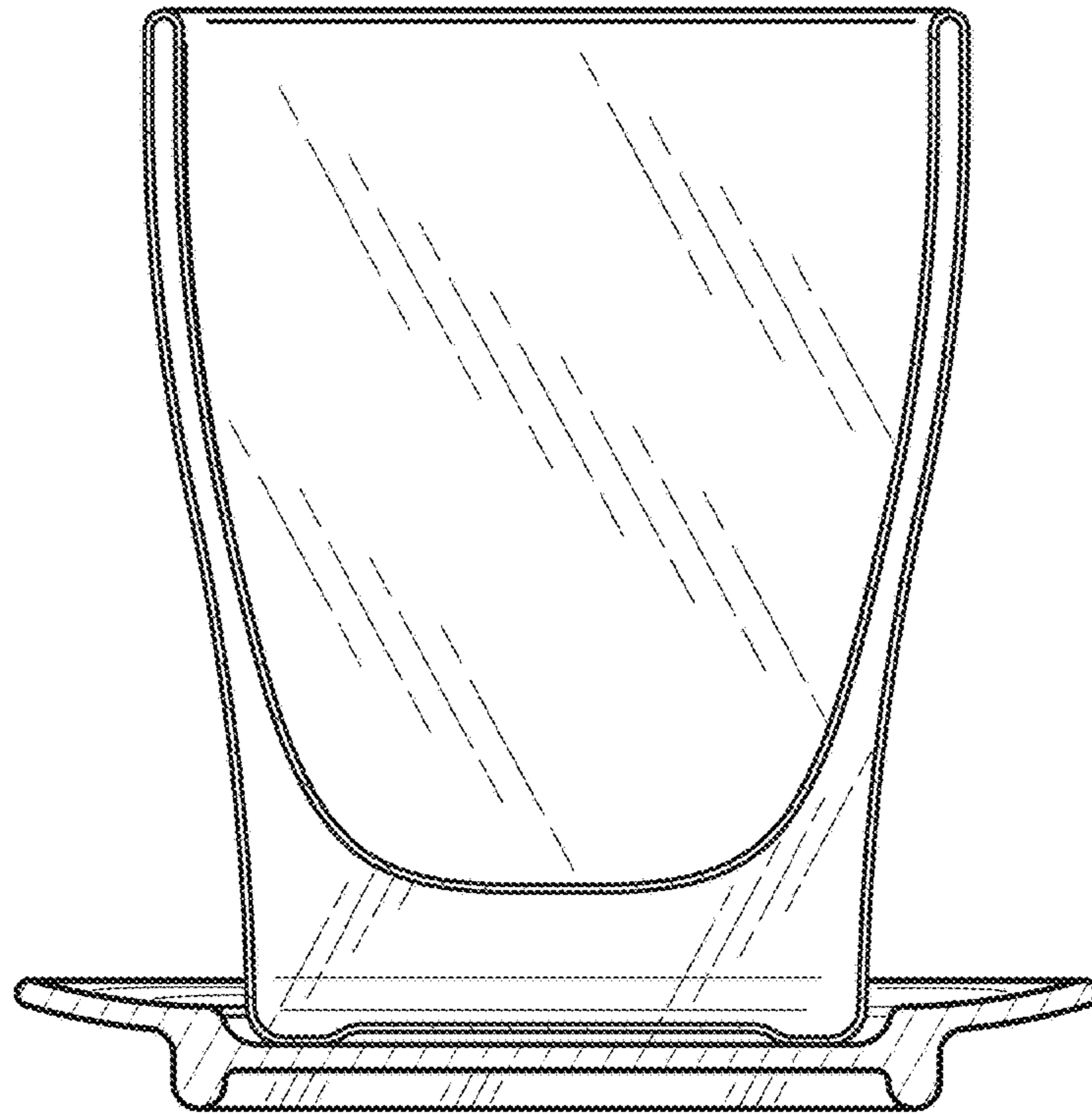


FIG. 6

FIG. 7

