



US00D840191S

(12) **United States Design Patent**
Hosogane

(10) **Patent No.:** **US D840,191 S**

(45) **Date of Patent:** **** Feb. 12, 2019**

(54) **ROLLER FOR FOOD FORMING DEVICE**

(71) Applicant: **Audio-Technica Corporation**, Tokyo (JP)

(72) Inventor: **Takashi Hosogane**, Tokyo (JP)

(73) Assignee: **AUDIO TECHNICA CORPORATION**, Tokyo (JP)

(**) Term: **15 Years**

(21) Appl. No.: **29/615,587**

(22) Filed: **Aug. 30, 2017**

(30) **Foreign Application Priority Data**

Mar. 1, 2017 (JP) 2017-004128

(51) **LOC (11) Cl.** **31-00**

(52) **U.S. Cl.**
USPC **D7/412; D7/672; D7/697**

(58) **Field of Classification Search**
USPC D7/672, 677, 697, 323, 368, 412
CPC A21C 3/021; A21C 3/10; A21C 11/106;
A21C 11/04; A21C 11/22; A21C 11/00;
A21B 1/36; A47J 37/046; A47J 37/0611
See application file for complete search history.

(56) **References Cited**

U.S. PATENT DOCUMENTS

4,815,859 A * 3/1989 Weinkle A21C 3/021
366/69

D515,368 S * 2/2006 Bellacicco D7/672
2005/0277531 A1* 12/2005 Schneider A21C 3/021
492/14
2013/0008034 A1* 1/2013 Mizer A21C 3/021
30/279.2

* cited by examiner

Primary Examiner — Terry A Wallace

(74) *Attorney, Agent, or Firm* — W&C IP

(57) **CLAIM**

What is claimed is the ornamental design for roller for food forming device, as shown and described.

DESCRIPTION

FIG. 1 is a front elevational view of a roller for food forming device.

FIG. 2 is a rear elevational view of the roller.

FIG. 3 is a left side elevational view of the roller.

FIG. 4 is a right side elevational view of the roller.

FIG. 5 is a top plan view of the roller.

FIG. 6 is a bottom plan view of the roller.

FIG. 7 is a perspective view of the roller.

FIG. 8 is an enlarged cross-sectional view of the roller taken along line 8-8; and,

FIG. 9 is an enlarged cross-sectional view of the roller taken along line 9-9.

Broken lines depict portions of the roller that form no part of the claimed design.

1 Claim, 9 Drawing Sheets

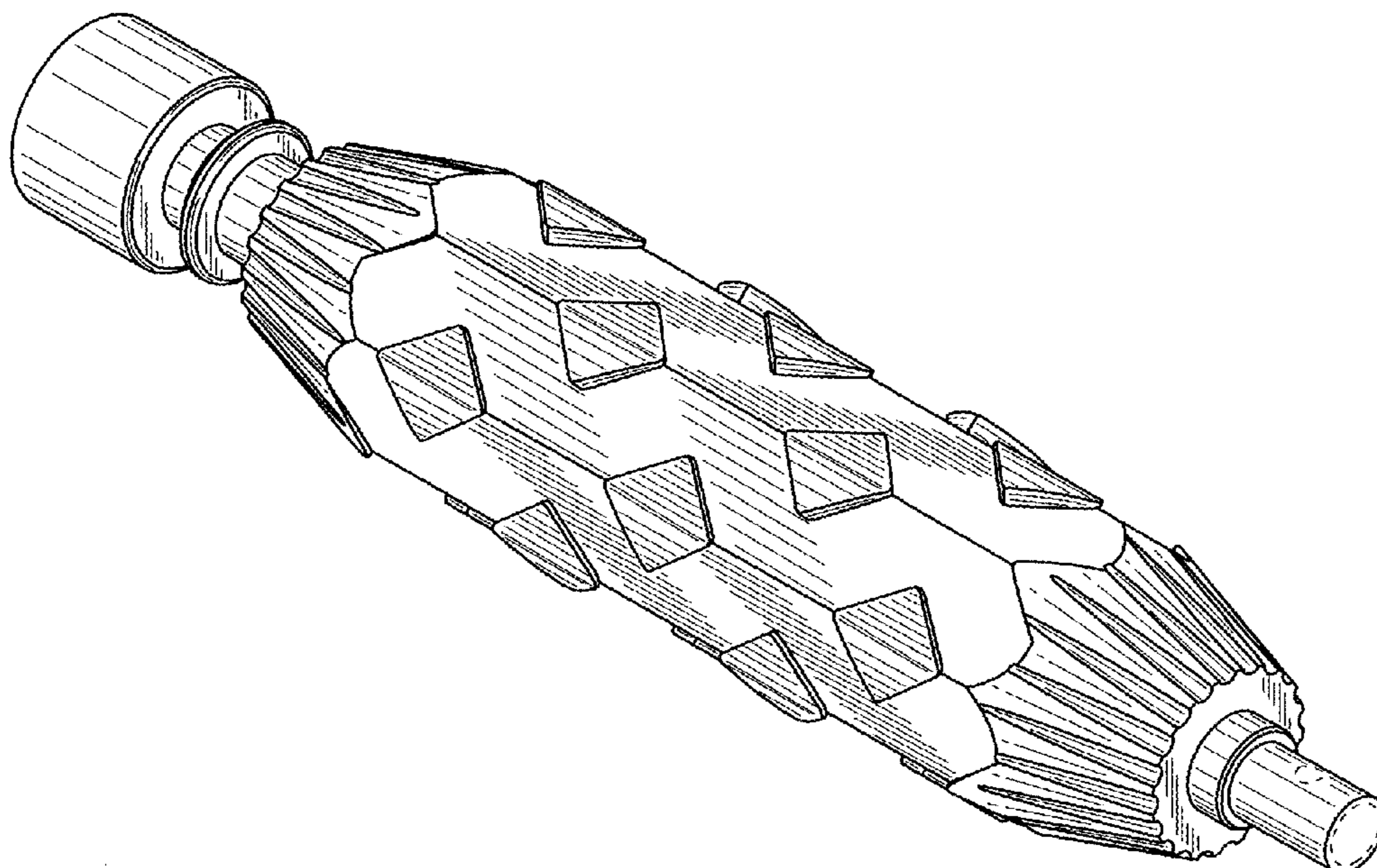


FIG. 1

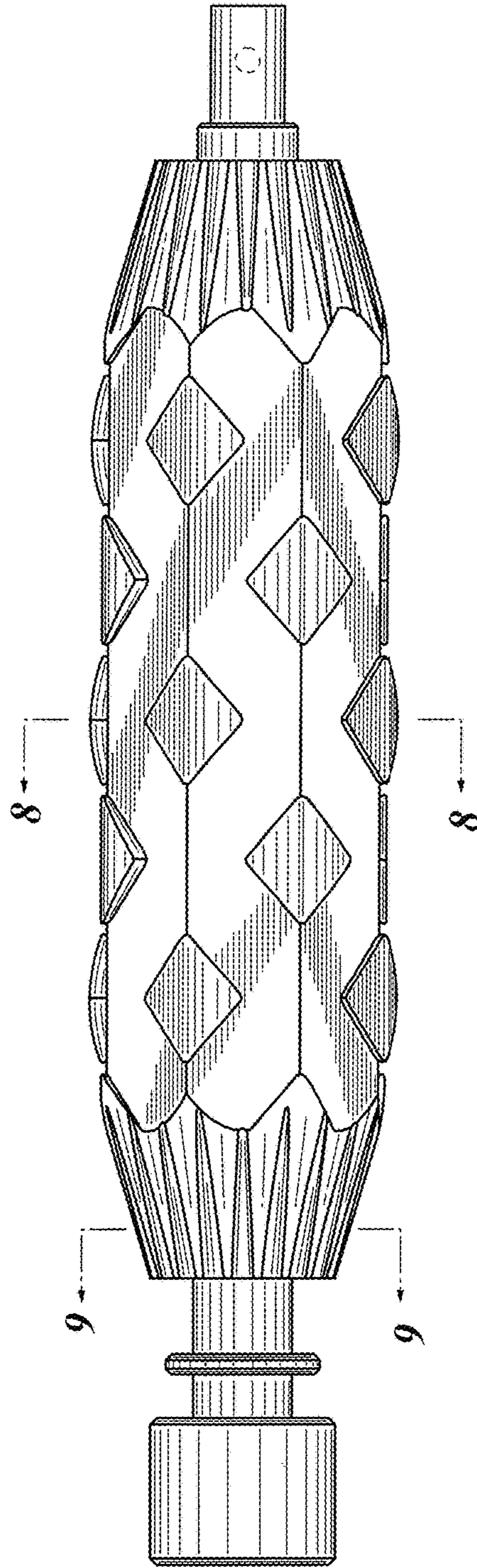


FIG. 2

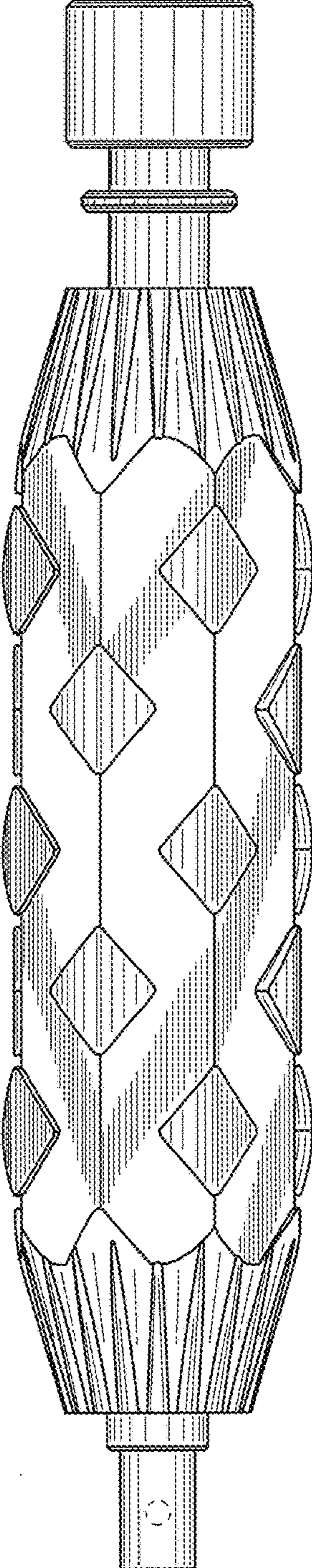


FIG. 3

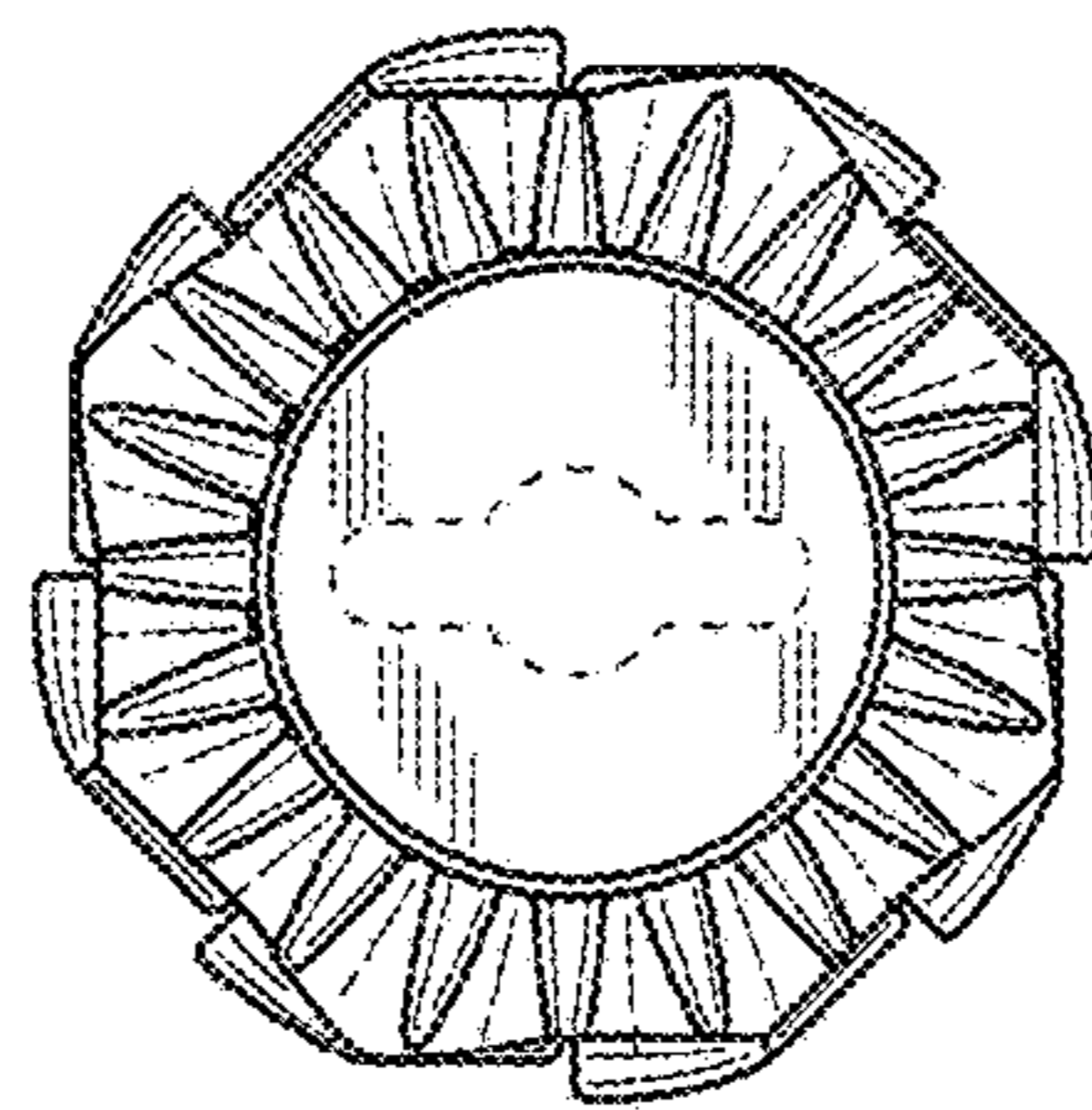


FIG. 4

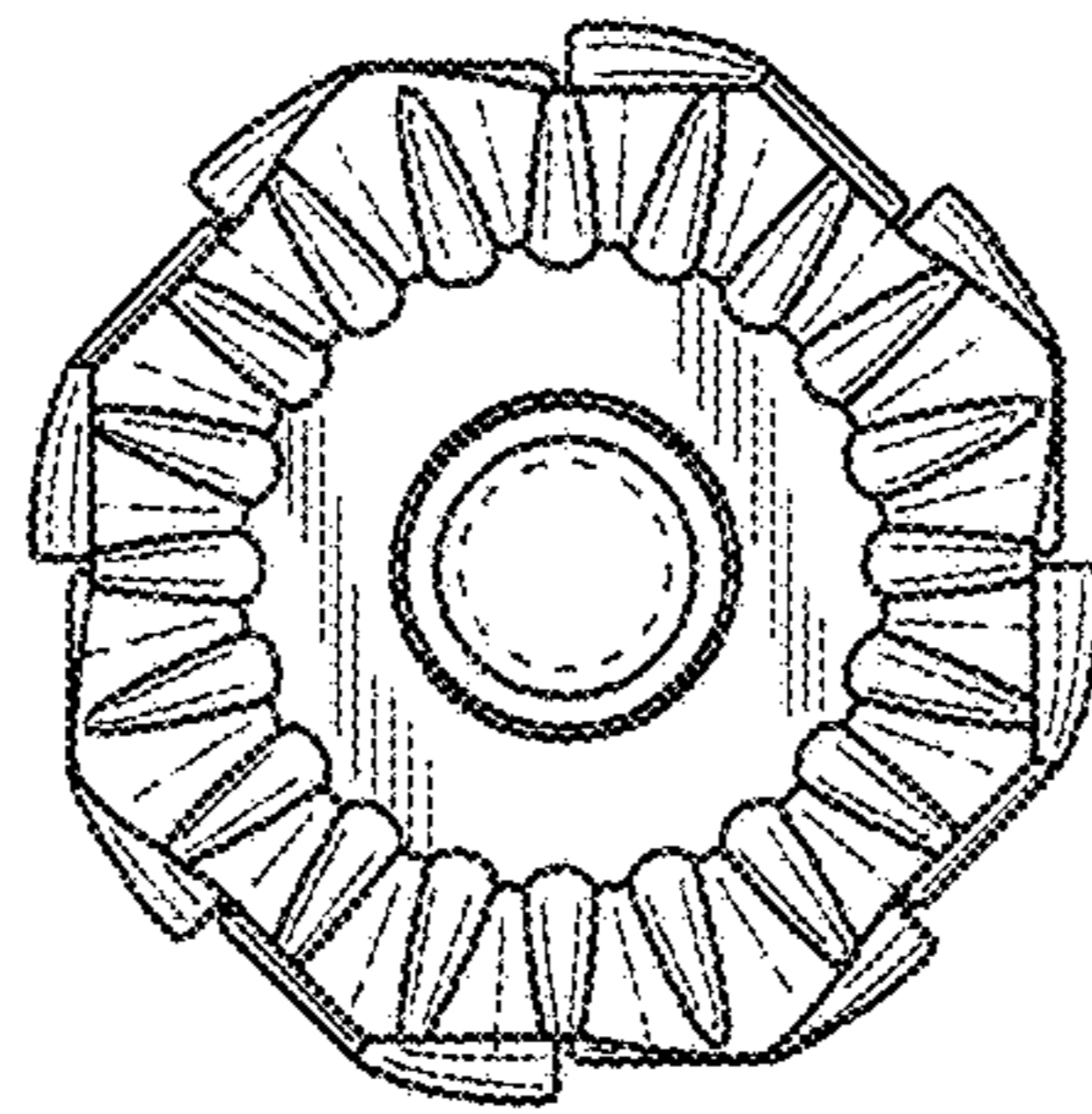


FIG. 5

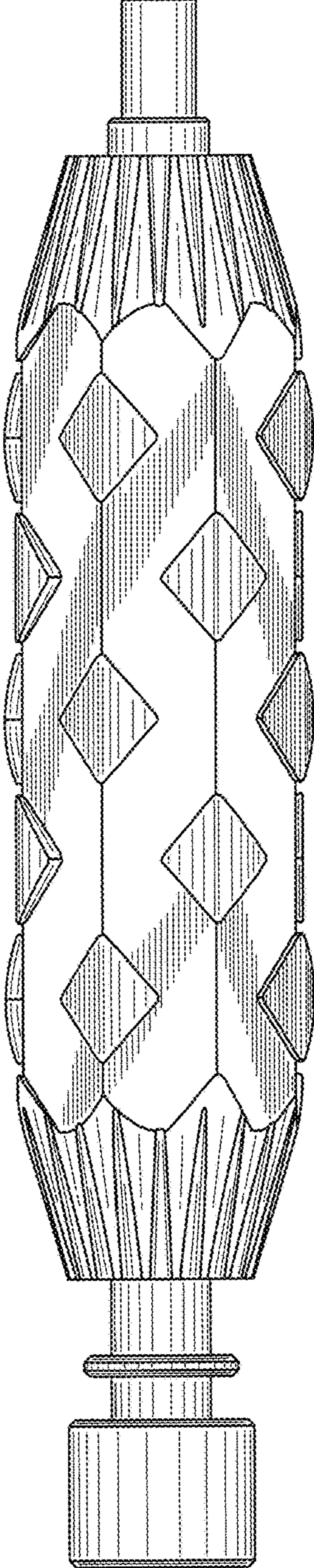


FIG. 6

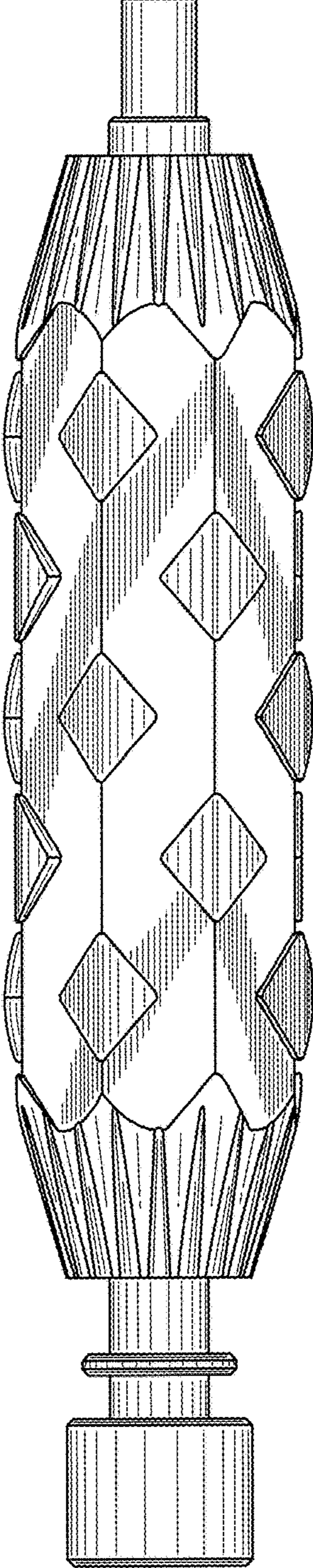


FIG. 7

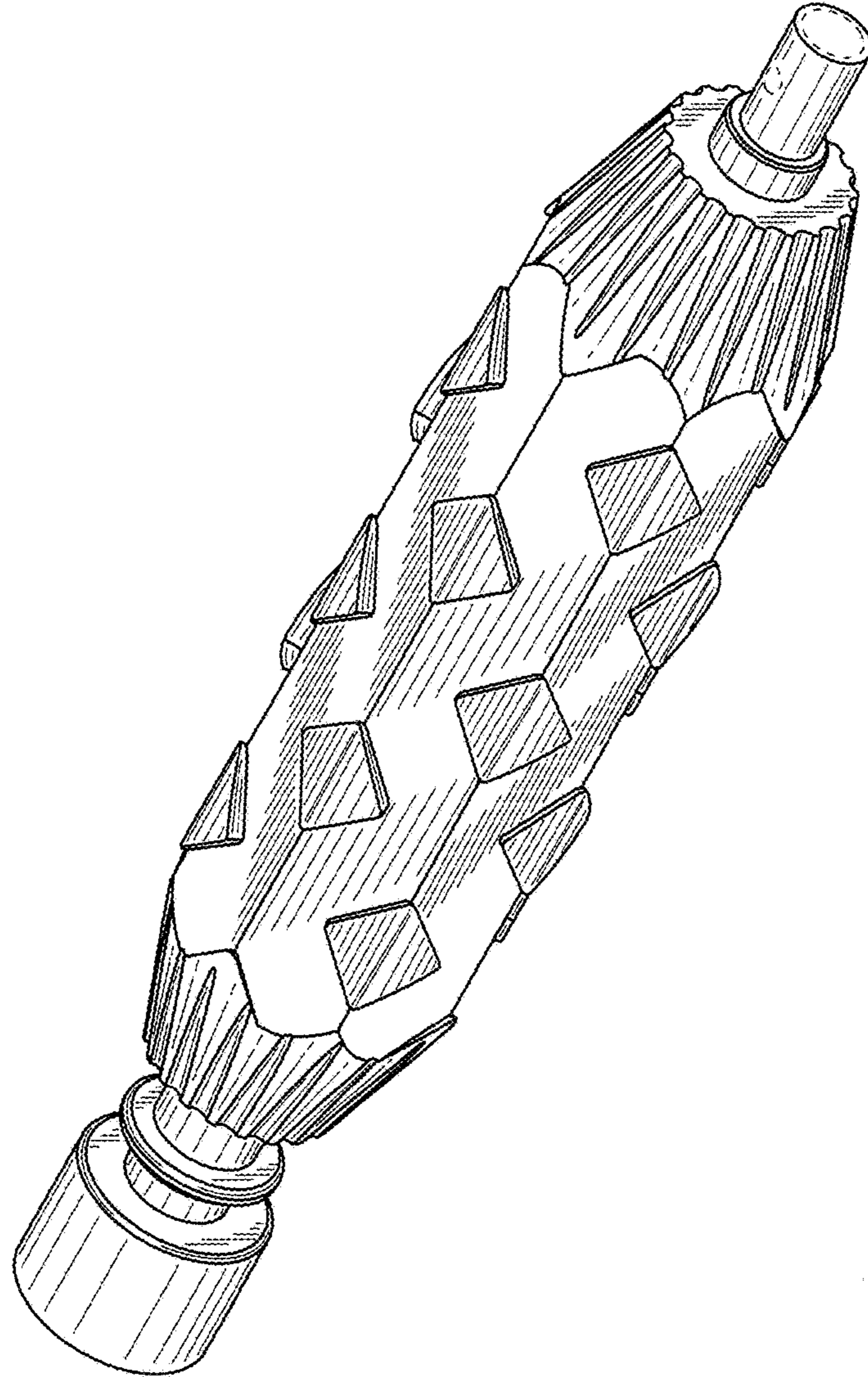


FIG. 8

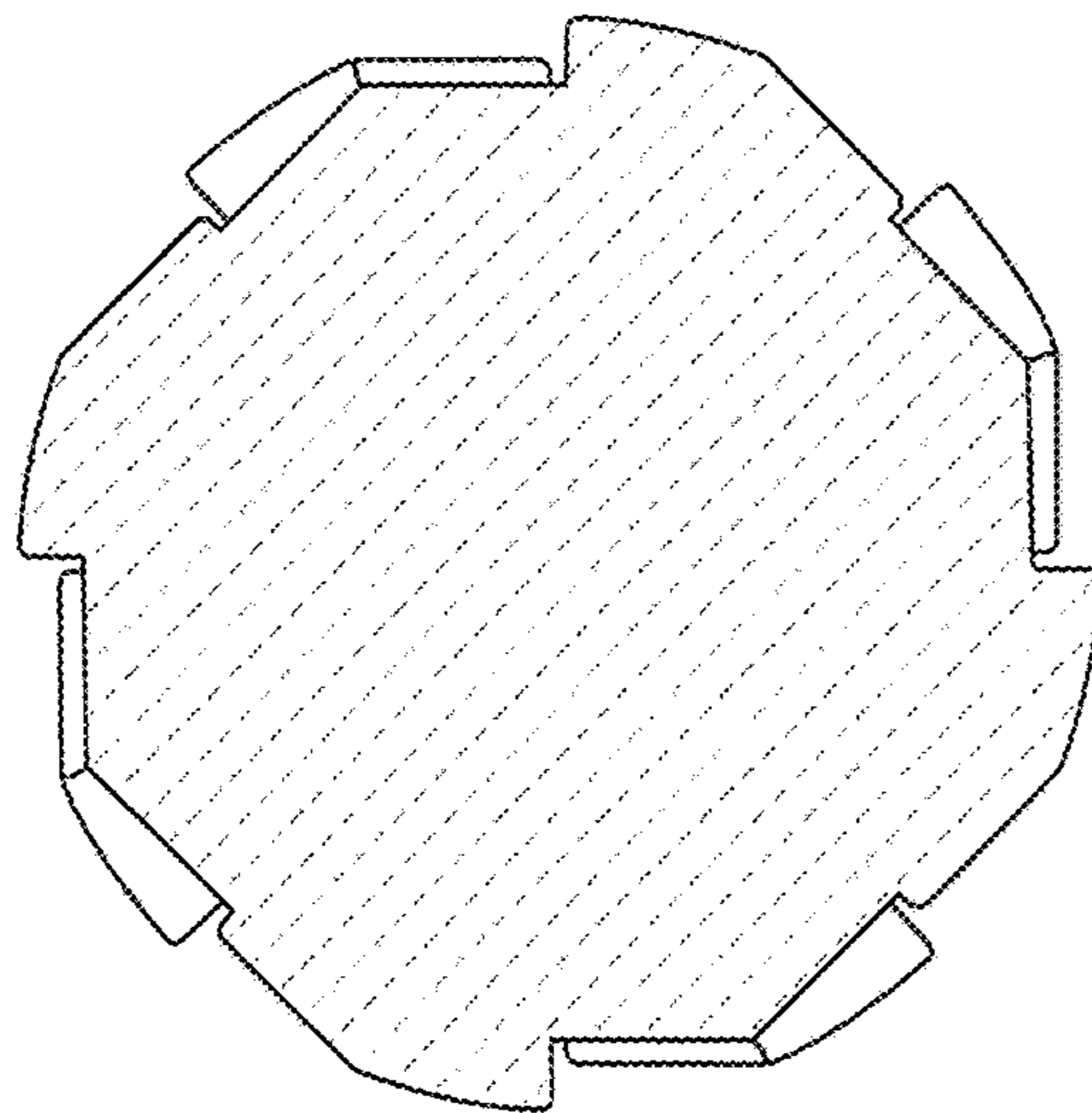


FIG. 9

