



US00D840190S

(12) **United States Design Patent** (10) **Patent No.:** **US D840,190 S**
Schueler et al. (45) **Date of Patent:** **** Feb. 12, 2019**

- (54) **COFFEE DRIPPER FOR TUMBLER**
- (71) Applicant: **Hero Outdoor Products LLC**,
Stillwater, OK (US)
- (72) Inventors: **Reilly Schueler**, Stillwater, OK (US);
Brett Enmeier, Stillwater, OK (US)
- (73) Assignee: **Hero Outdoor Products, LLC**,
Stillwater, OK (US)

D564,832	S *	3/2008	Bodum	D7/399
D635,398	S *	4/2011	Watabe	D7/400
7,926,414	B1	4/2011	Wolcott et al.		
8,051,767	B2	11/2011	Gerber		
8,424,448	B2	4/2013	Englert et al.		
D778,668	S *	2/2017	Hojo	D7/400
D796,889	S *	9/2017	Laskowski	D7/321
D797,501	S *	9/2017	Thurlow	D7/400
9,763,533	B2 *	9/2017	Liu	A47J 31/061
2009/0178572	A1 *	7/2009	Wolcott	A47J 31/005 99/323

(**) Term: **15 Years**

(21) Appl. No.: **29/625,017**

(22) Filed: **Nov. 6, 2017**

(51) **LOC (11) Cl.** **07-99**

(52) **U.S. Cl.**
USPC **D7/400**

(58) **Field of Classification Search**
USPC D7/305, 309, 310, 312, 396.1, 396.2,
D7/397, 399, 400, 401, 507, 509, 523,
D7/531-533, 535
CPC A47J 31/005; A47J 31/06; A47J 31/0615;
A47J 31/0626
See application file for complete search history.

(56) **References Cited**

U.S. PATENT DOCUMENTS

1,456,010	A	3/1922	Richheimer		
3,631,793	A	1/1972	Bednartz		
4,167,136	A	9/1979	Chupurdy		
4,221,670	A	9/1980	Ziemek		
D274,115	S *	6/1984	Gavin	D7/400
D278,116	S *	3/1985	Gavin	D7/400
4,520,716	A	6/1985	Hayes		
5,071,549	A	12/1991	Hauslein		
D328,405	S *	8/1992	Heiligenstein	D7/400
5,738,786	A	4/1998	Winnington-Ingram		
D455,608	S *	4/2002	McWilliams	D7/400

FOREIGN PATENT DOCUMENTS

DE	19620381	1/1997
KR	101378808	1/2013

* cited by examiner

Primary Examiner — Daniel D Bui

Assistant Examiner — Andrew Kerr

(74) *Attorney, Agent, or Firm* — Dennis D. Brown;
Brown Patent Law, P.L.L.C.

(57) **CLAIM**

The ornamental design for a coffee dripper for tumbler, as shown and described.

DESCRIPTION

FIG. 1 is a front perspective view of a coffee dripper for tumbler showing my new design.

FIG. 2 is a front elevational view thereof;

FIG. 3 is a rear elevational view thereof;

FIG. 4 is a right side elevational view thereof;

FIG. 5 is a left side elevational view thereof;

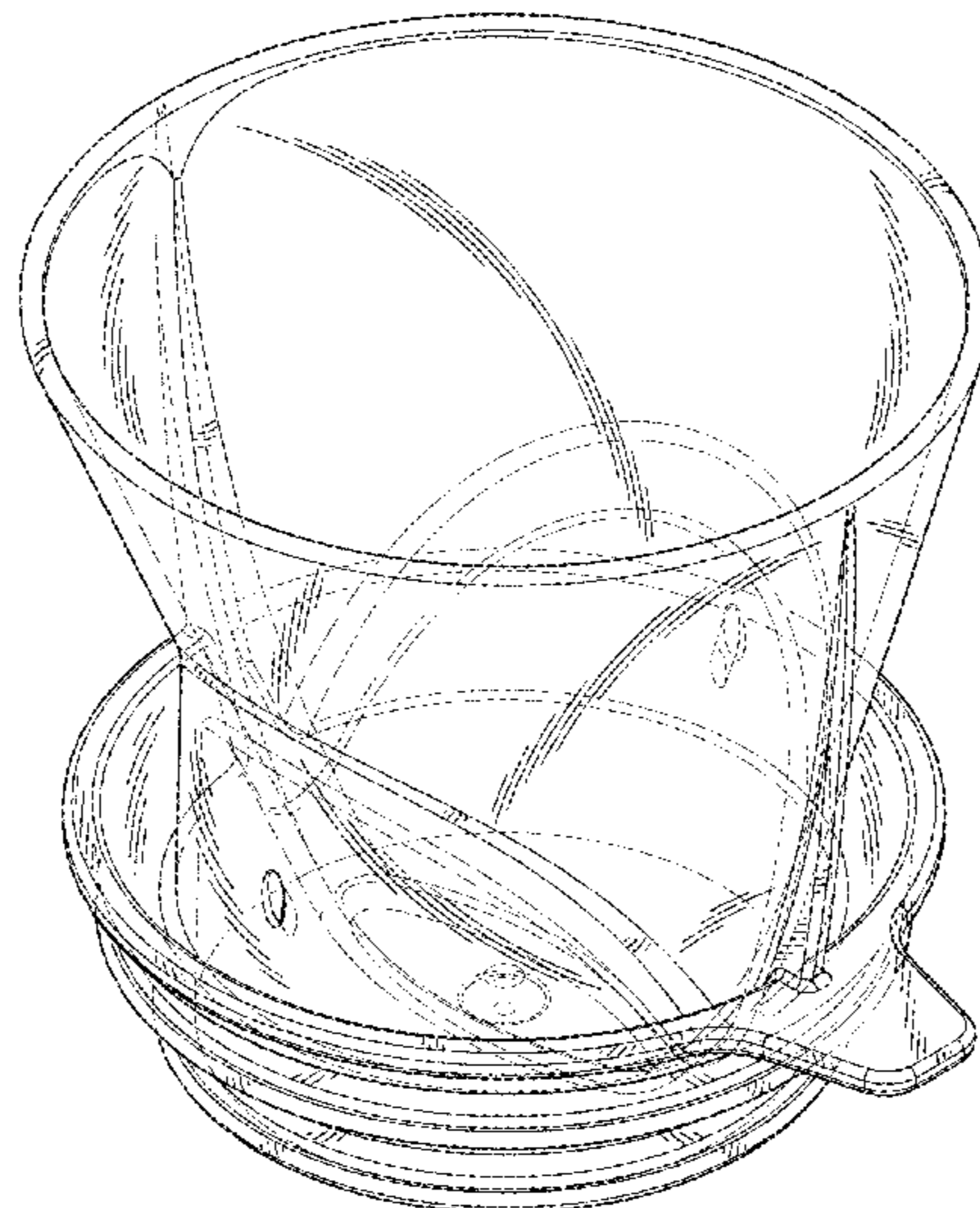
FIG. 6 is a top plan view thereof;

FIG. 7 is a bottom plan view thereof; and,

FIG. 8 is a perspective view thereof in use condition.

The broken lines shown in the drawings represent unclaimed portions of the design and form no part thereof.

1 Claim, 8 Drawing Sheets



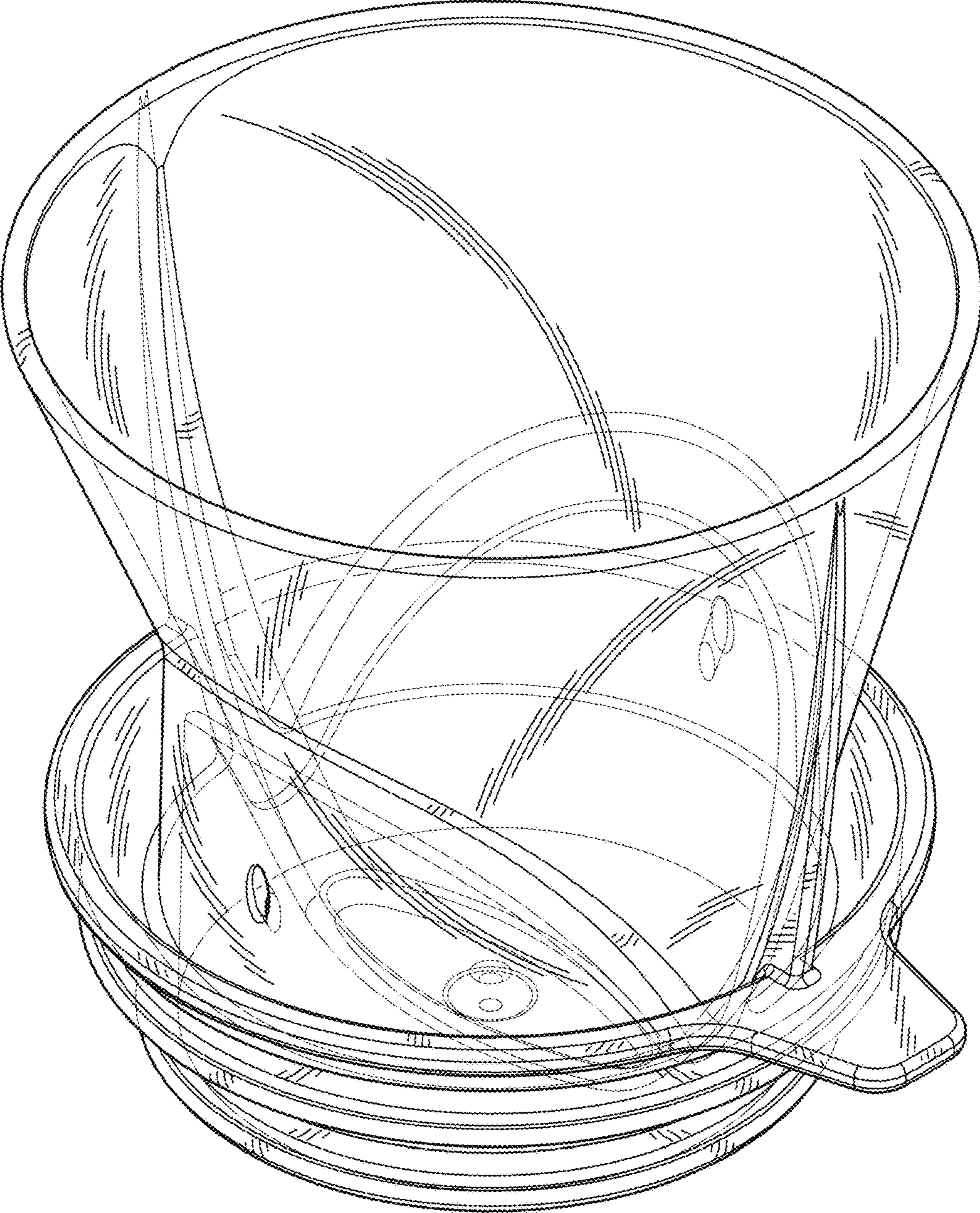


FIG. 1

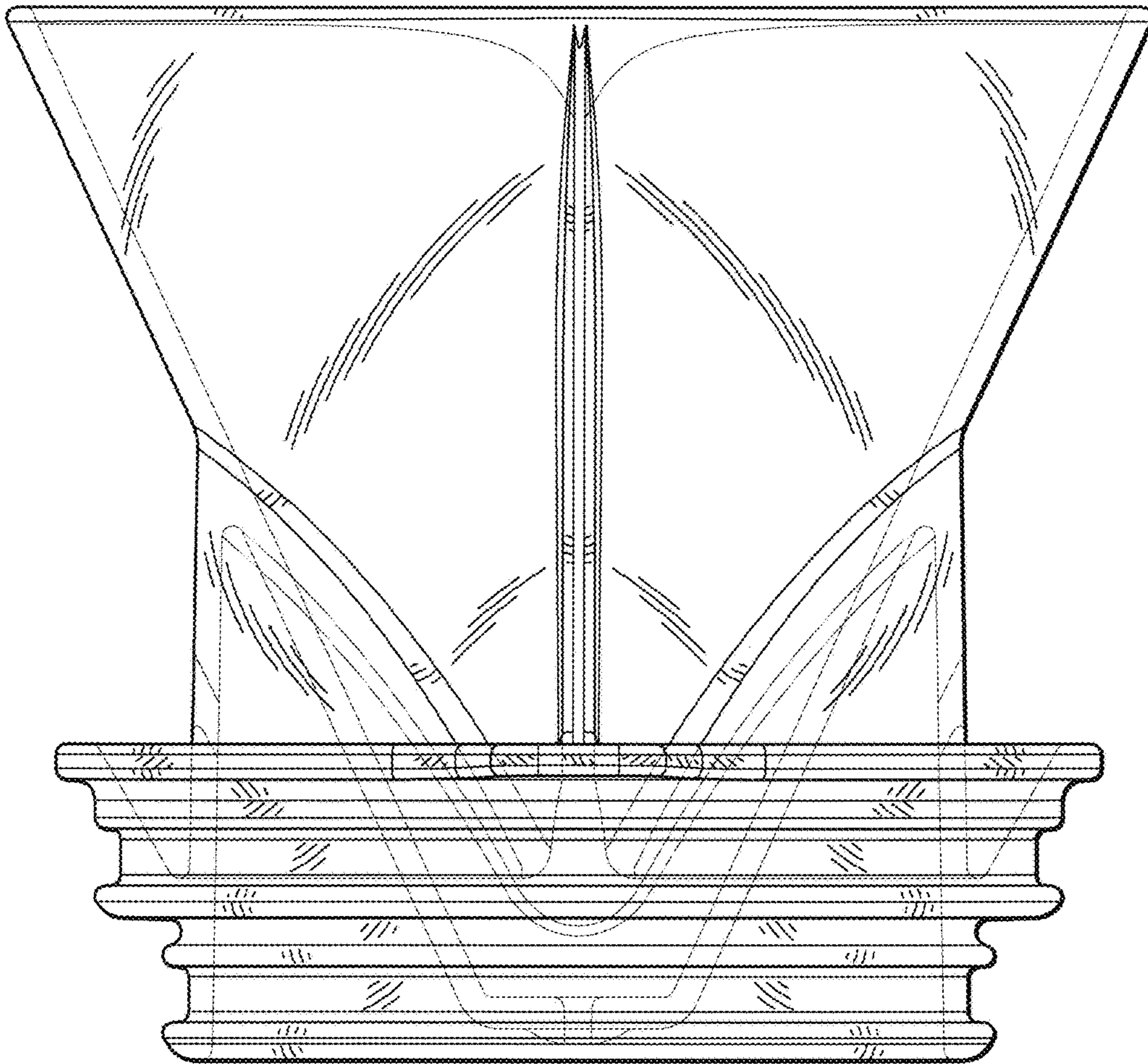


FIG. 2

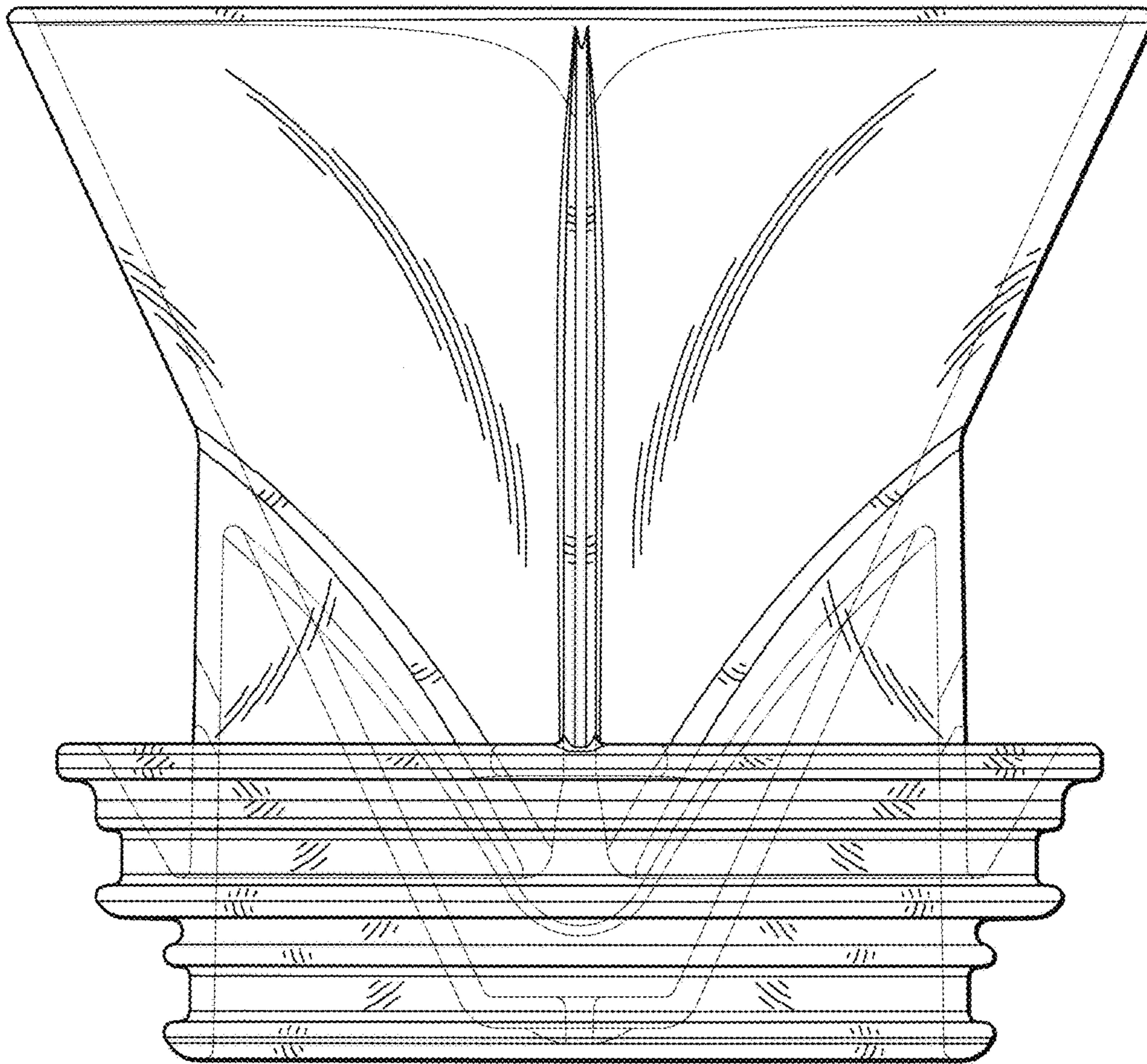


FIG. 3

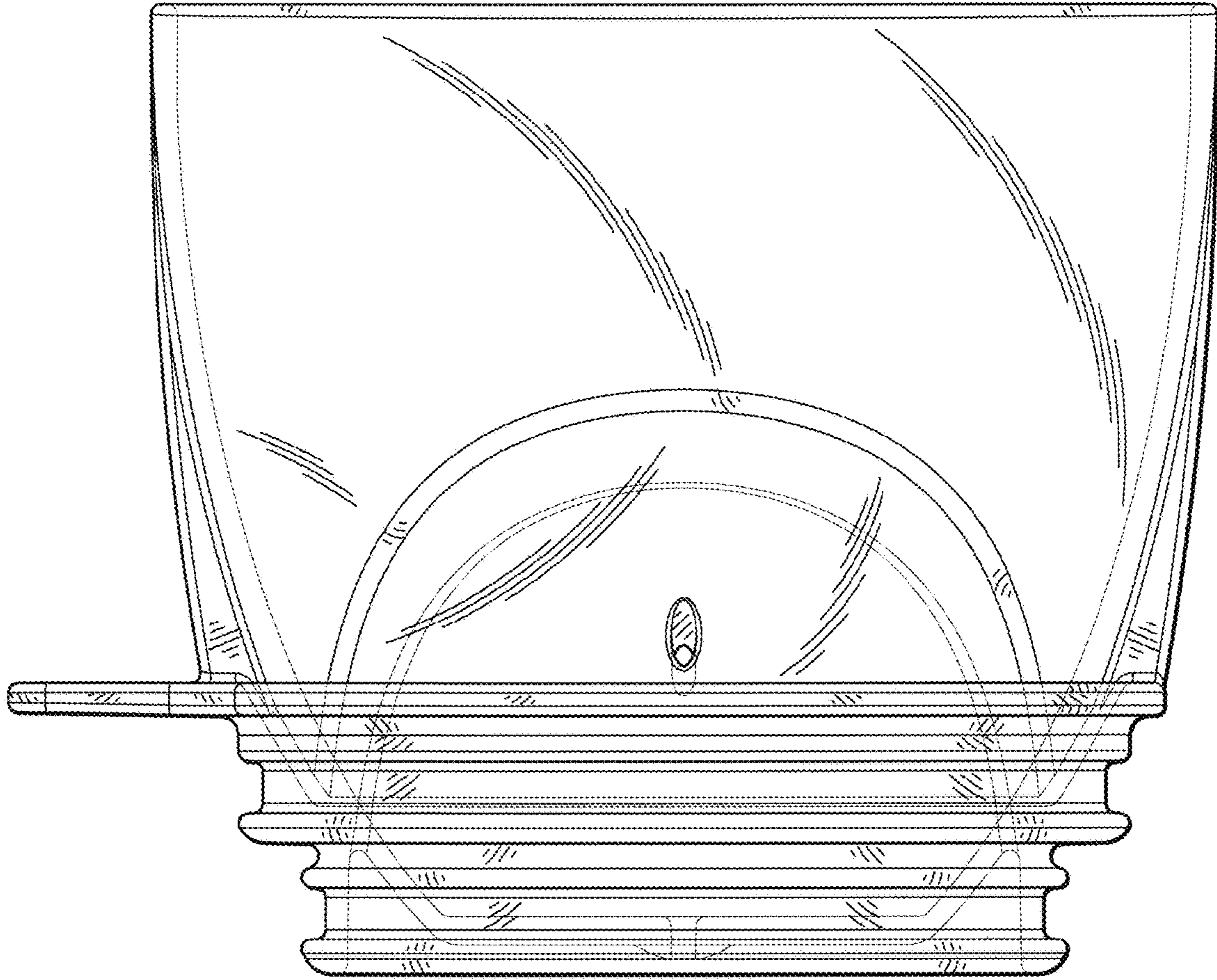


FIG. 4

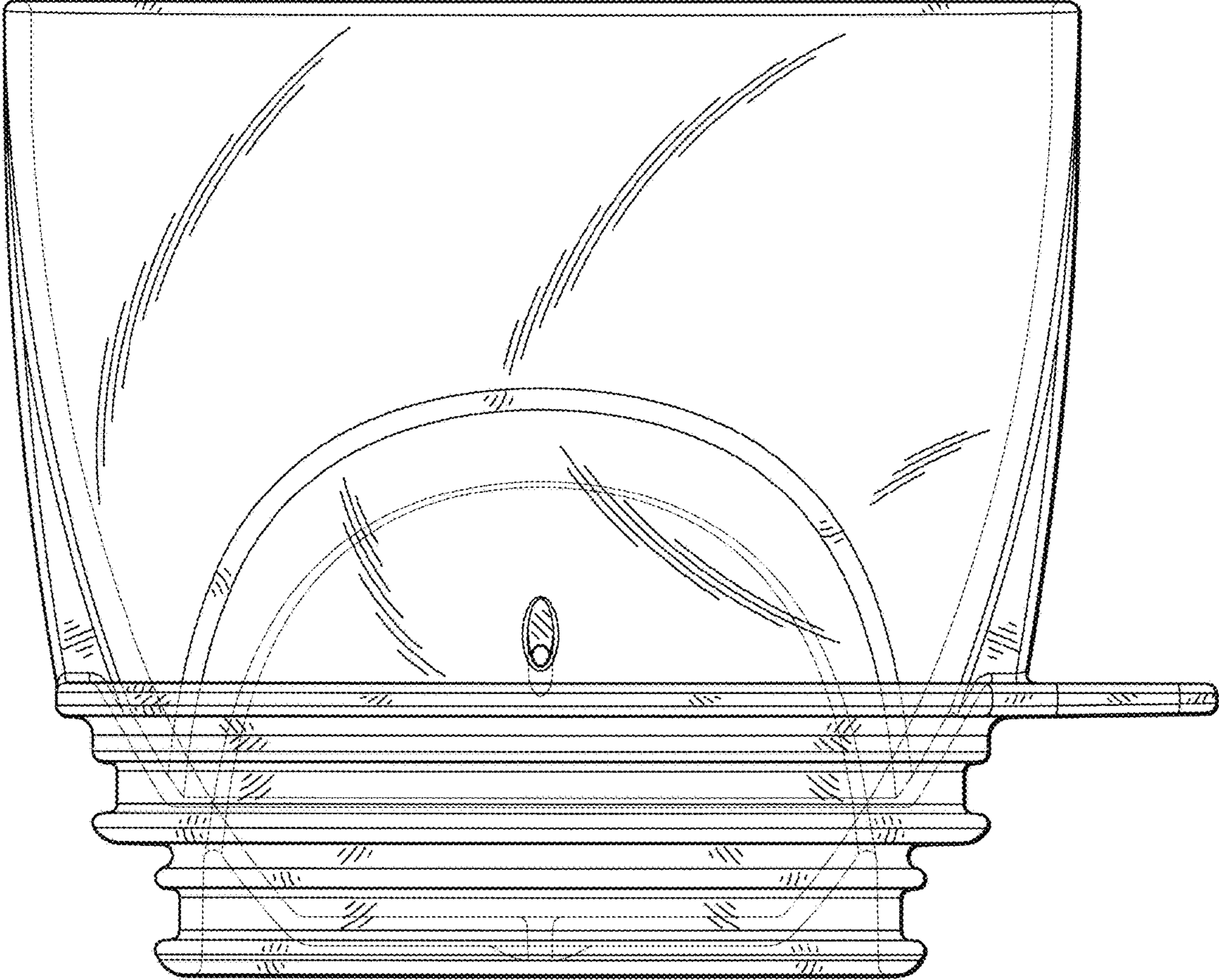


FIG. 5

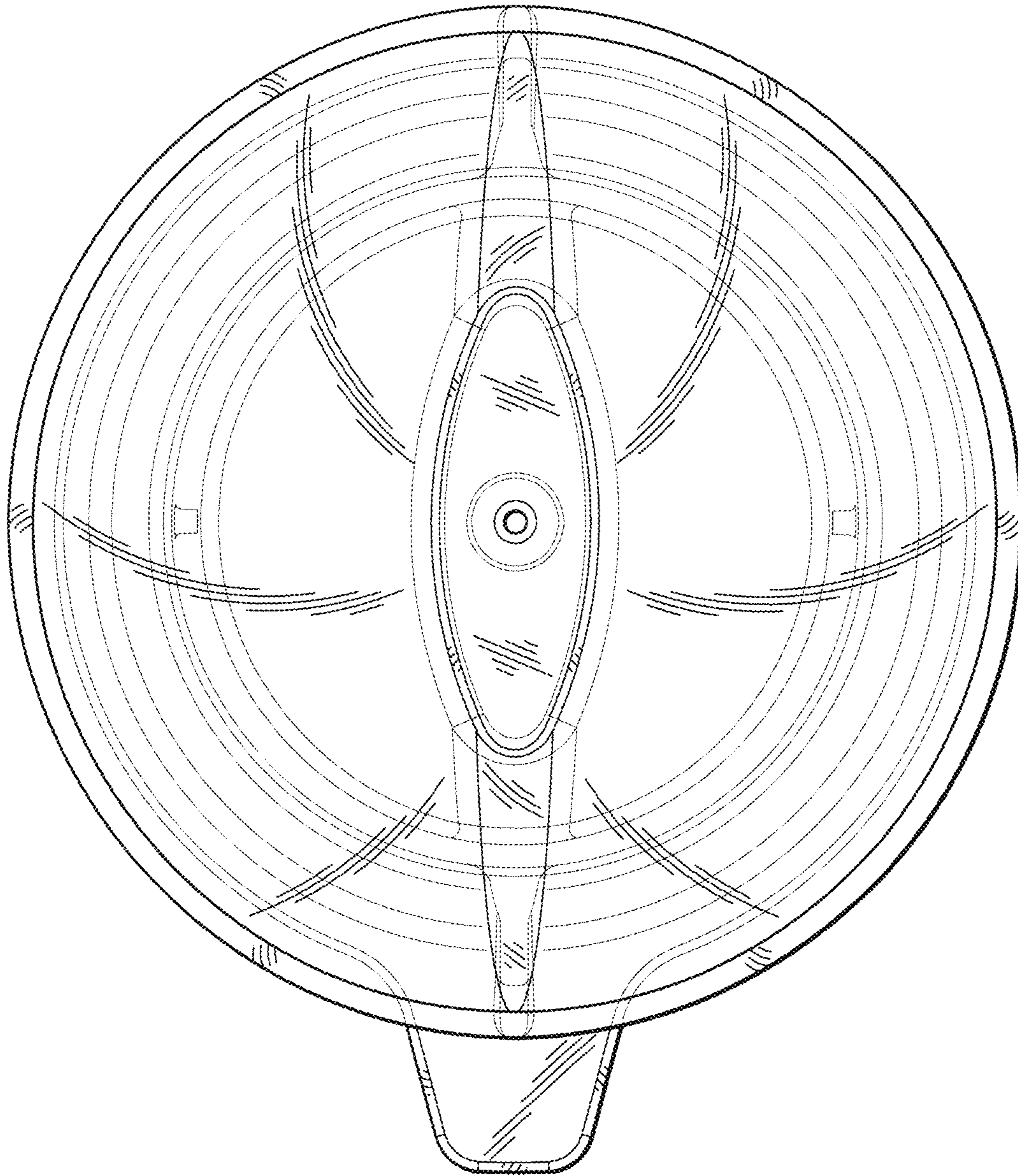


FIG. 6

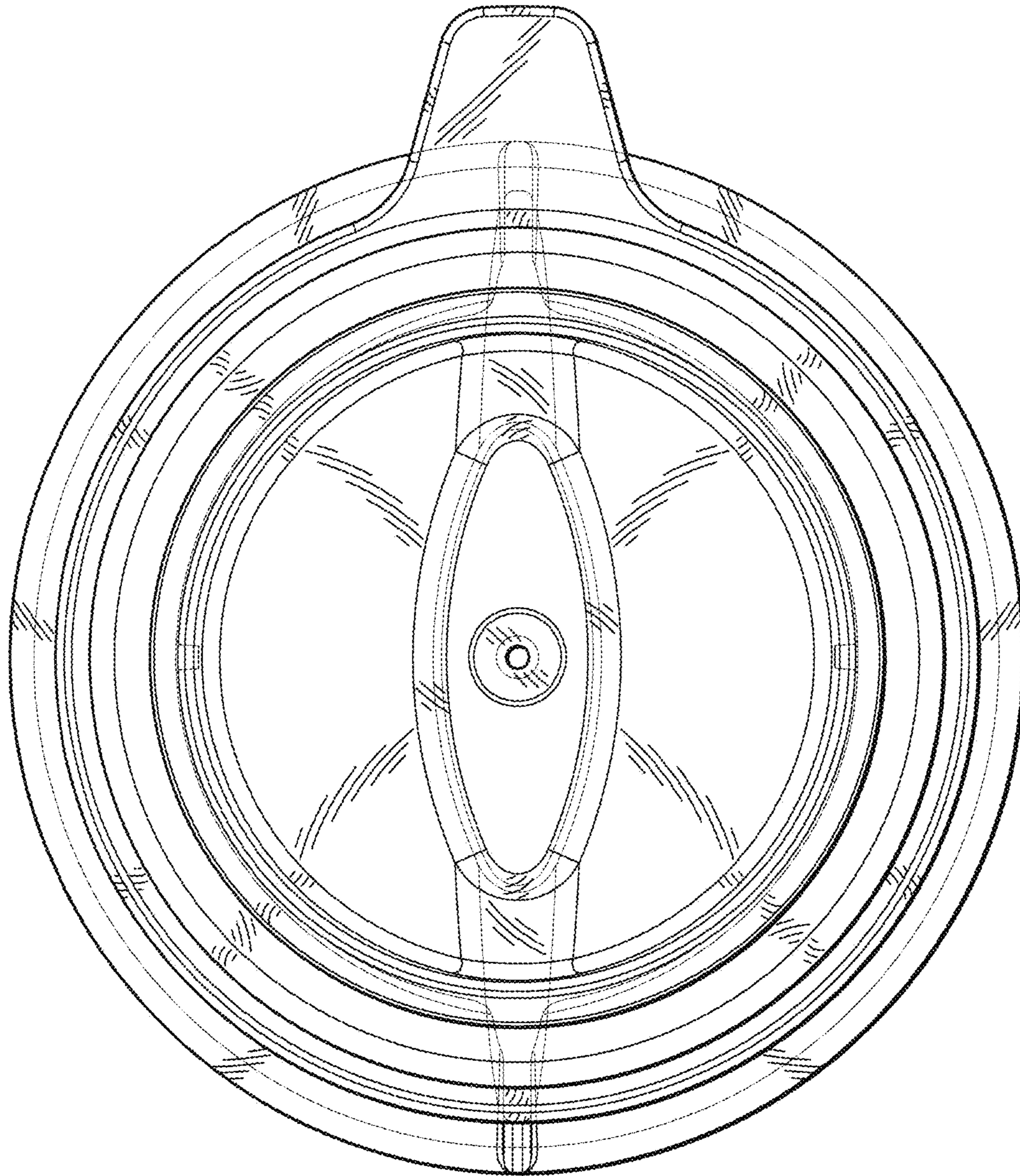


FIG. 7

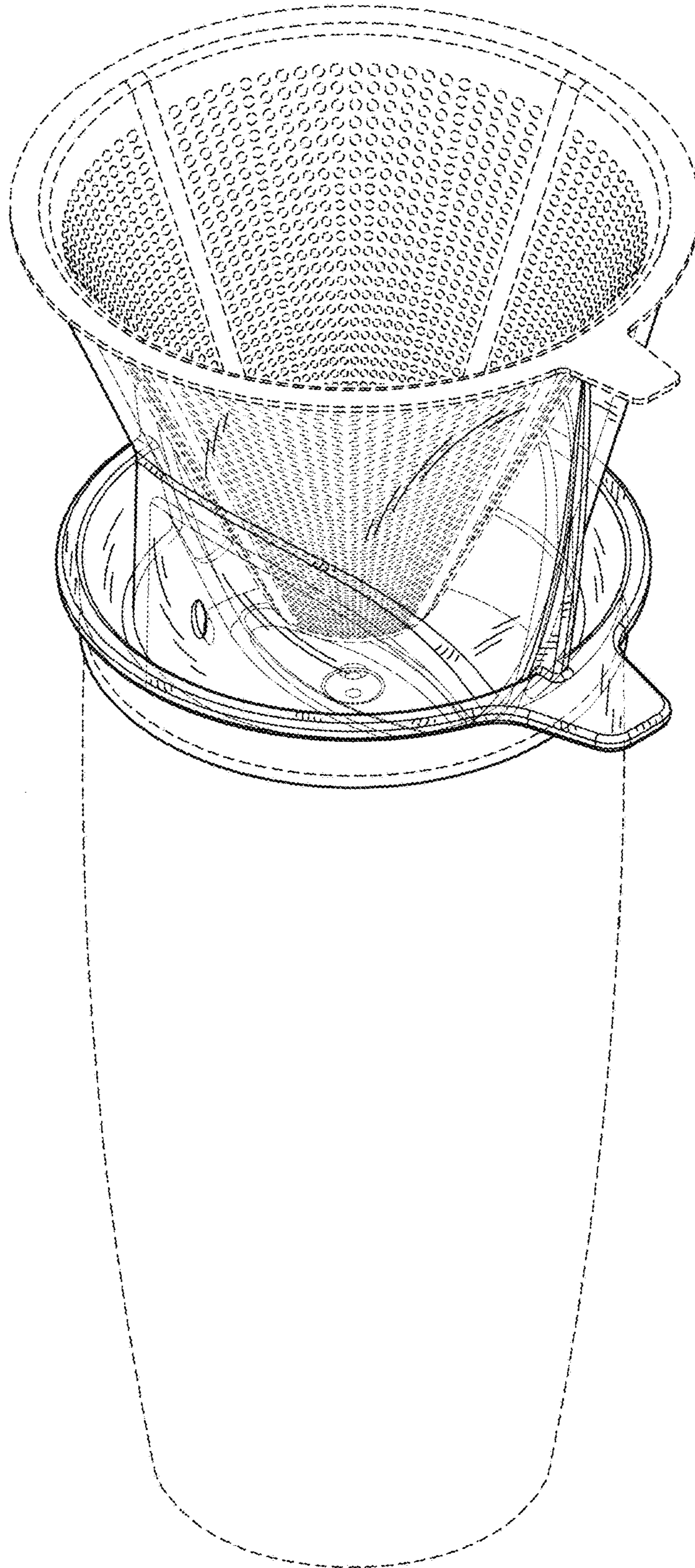


FIG. 8