



US00D840188S

(12) **United States Design Patent** (10) **Patent No.:** **US D840,188 S**
Trenchfield et al. (45) **Date of Patent:** **** Feb. 12, 2019**

(54) **ATTACHABLE SHOT CONTAINER A**

(71) Applicants: **Ian Trenchfield**, Parkland, FL (US);
Shereen E. Young, Parkland, FL (US)

(72) Inventors: **Ian Trenchfield**, Parkland, FL (US);
Shereen E. Young, Parkland, FL (US)

(**) Term: **15 Years**

(21) Appl. No.: **29/575,646**

(22) Filed: **Aug. 26, 2016**

Related U.S. Application Data

(63) Continuation-in-part of application No. 29/569,095,
filed on Jun. 23, 2016.

(51) **LOC (11) Cl.** **07-99**

(52) **U.S. Cl.**
USPC **D7/396.2**

(58) **Field of Classification Search**
USPC D7/213, 368, 372-374, 376, 378, 384,
D7/396.1, 396.2, 412-415, 601, 602, 679,
D7/701
CPC A23N 1/00; A23N 1/003; A23N 1/006;
A23N 1/02; A47J 43/04; B01F 3/00
See application file for complete search history.

(56) **References Cited**

U.S. PATENT DOCUMENTS

D587,071 S * 2/2009 Roth D7/523
D596,900 S * 7/2009 Kluger D7/509

D702,999 S * 4/2014 Audette D7/376
D720,573 S * 1/2015 Pola D7/396.2
D727,107 S * 4/2015 Parodi, Jr. D7/396.2
2012/0261410 A1* 10/2012 DuHaime B65D 21/0206
220/23.83
2012/0273509 A1* 11/2012 Yao B65D 81/3876
220/737
2013/0277375 A1* 10/2013 Hickox A47G 23/06
220/575

* cited by examiner

Primary Examiner — Daniel D Bui

Assistant Examiner — Andrew Kerr

(74) *Attorney, Agent, or Firm* — Melvin K. Silverman

(57) **CLAIM**

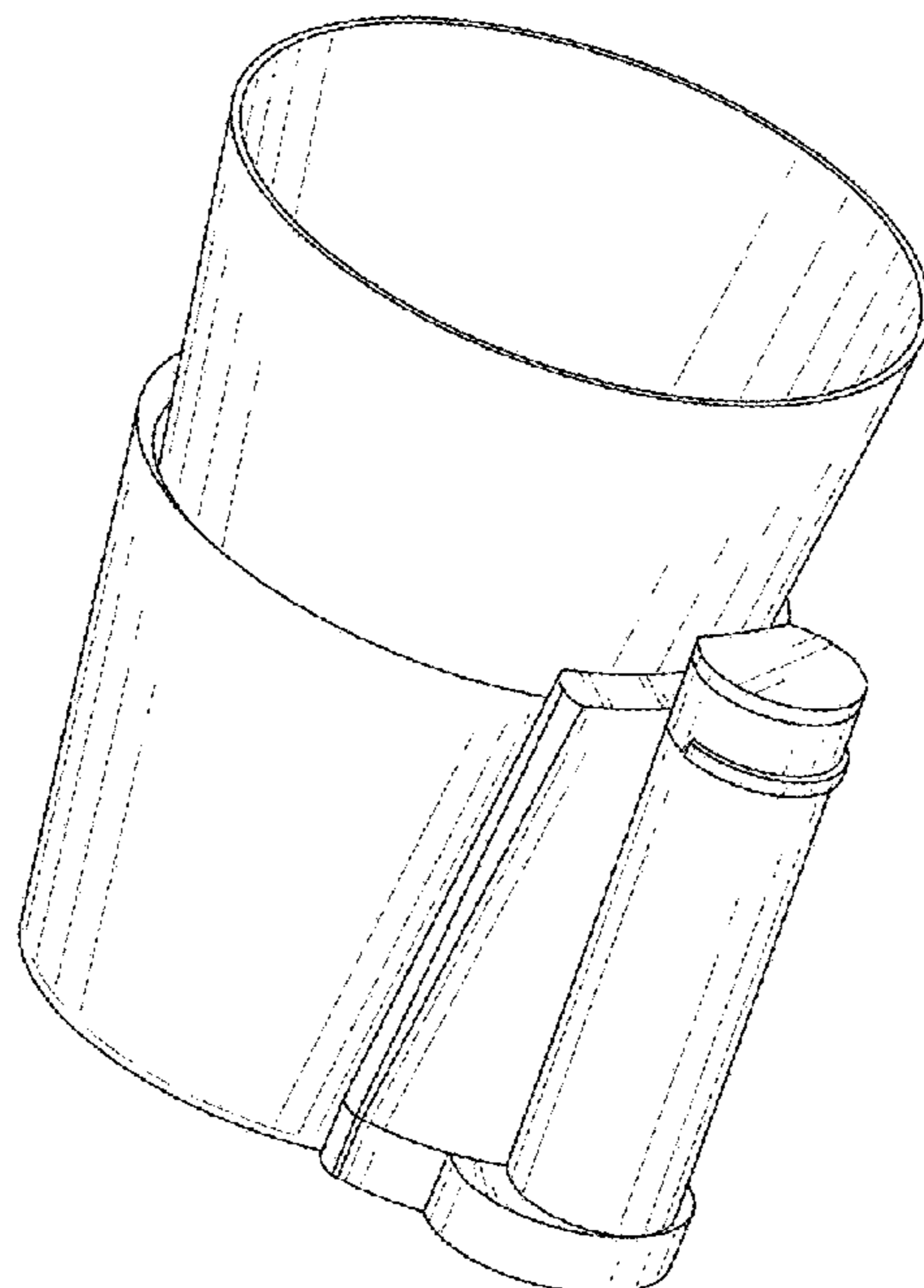
The ornamental design for an attachable shot container A, as shown and described.

DESCRIPTION

FIG. 1 is a perspective view of an attachable shot container A, showing our new design;
FIG. 2 is a front view thereof;
FIG. 3 is a back view thereof;
FIG. 4 is a left side view thereof;
FIG. 5 is a right side view thereof;
FIG. 6 is a bottom view thereof; and,
FIG. 7 is a top view thereof.

The broken lines showing portion(s) of the attachable shot container A are for the purpose of illustrating environmental structure only and form no party of the claim design.

1 Claim, 7 Drawing Sheets



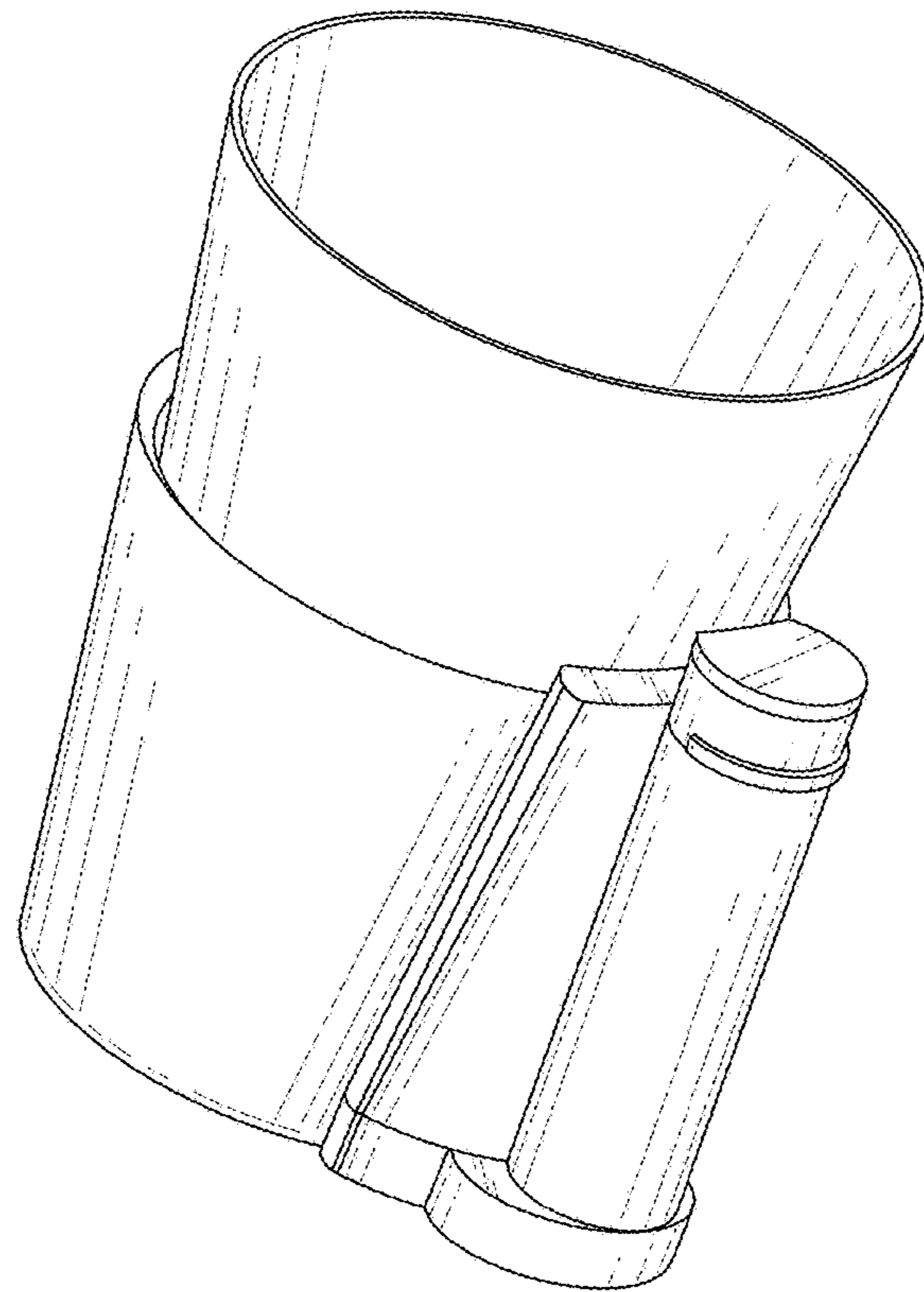


FIG. 1

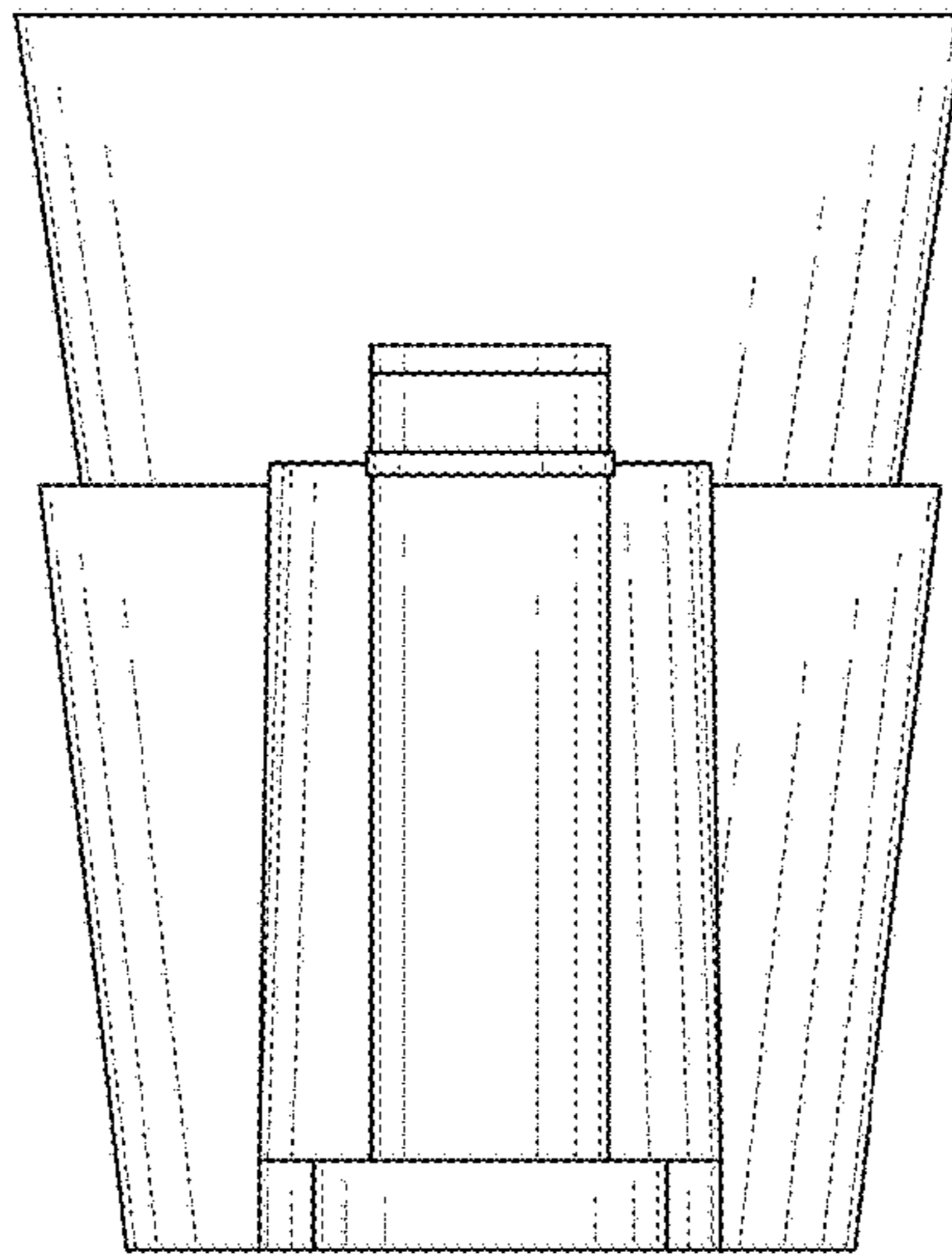


FIG. 2

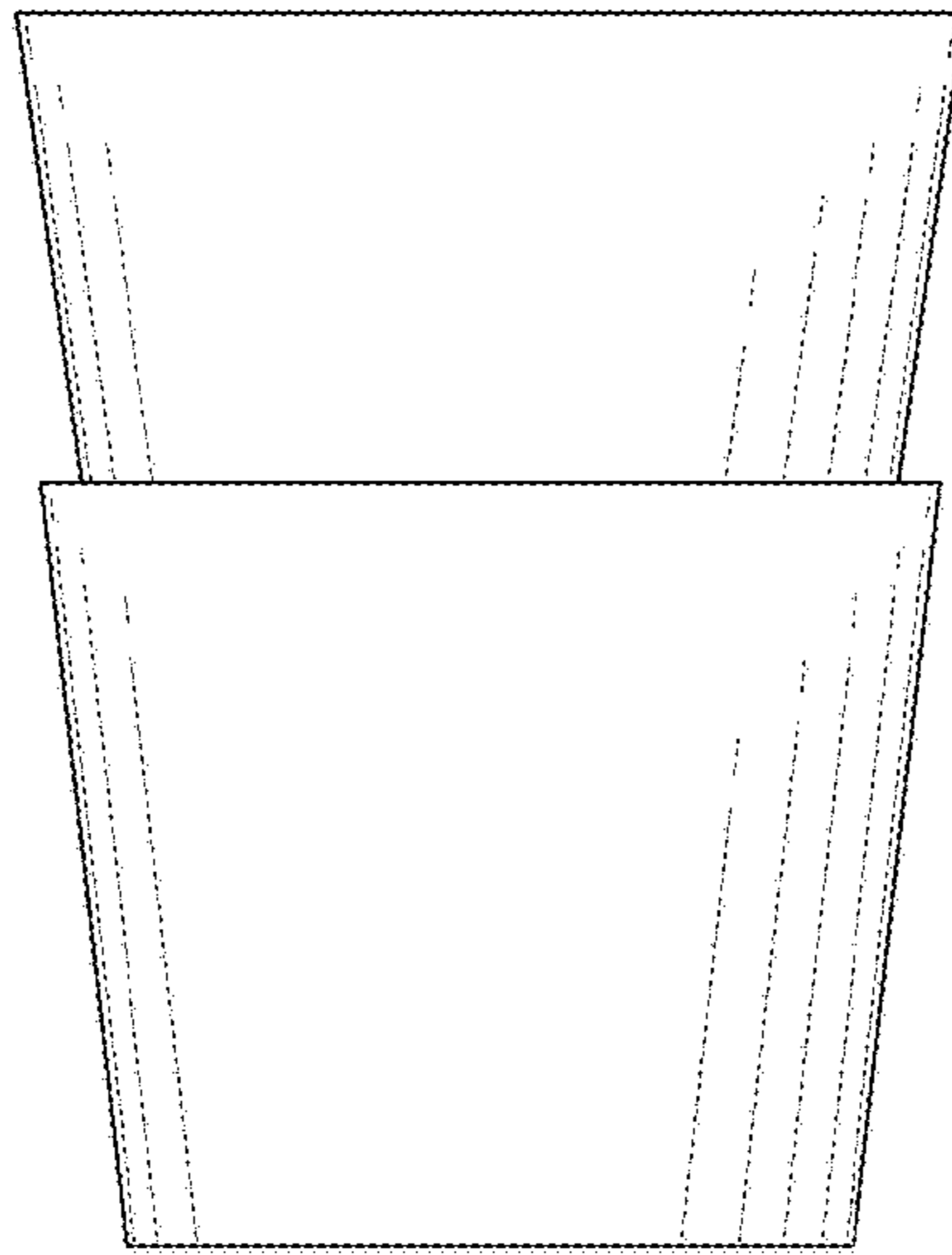


FIG. 3

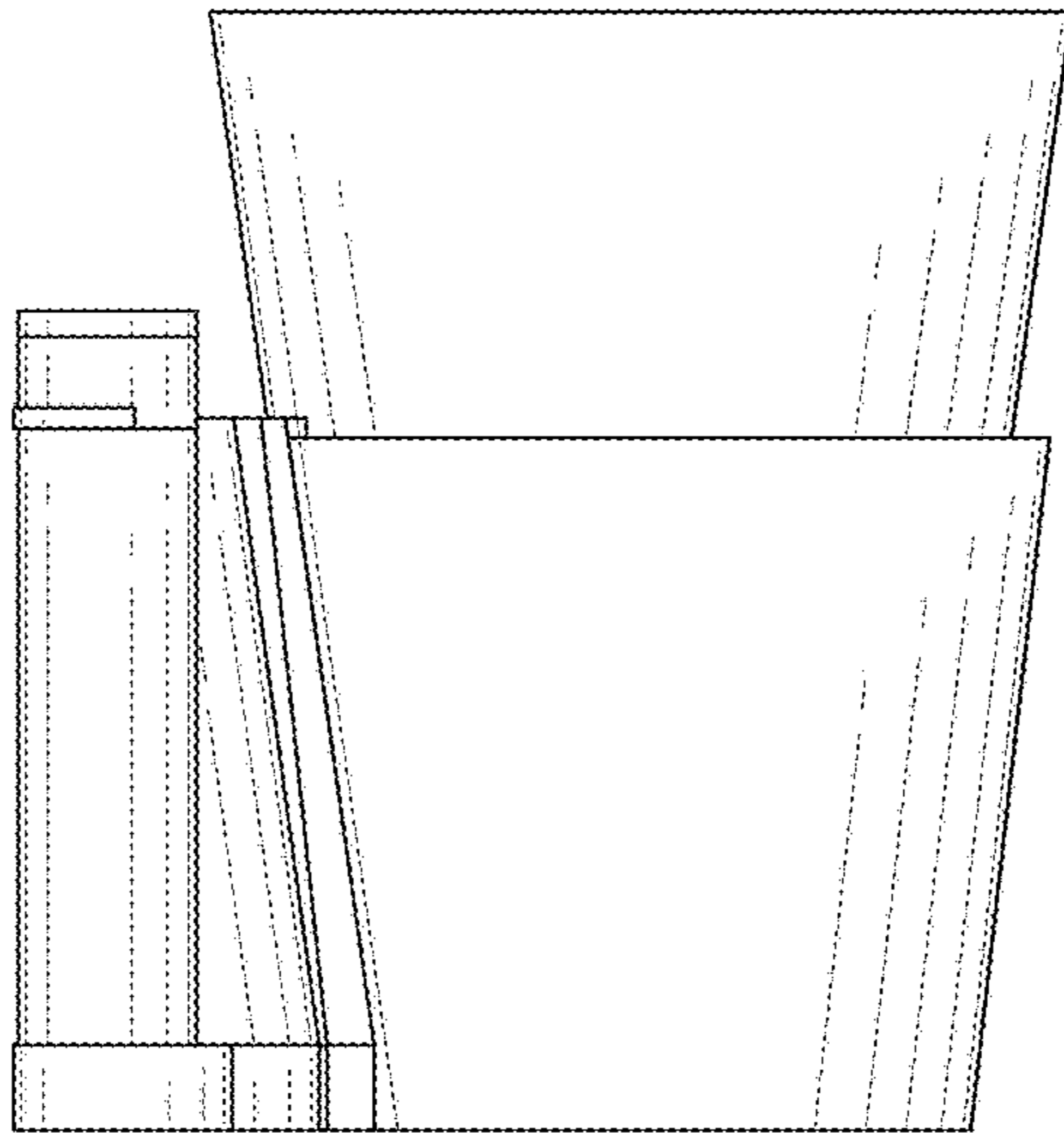


FIG. 4

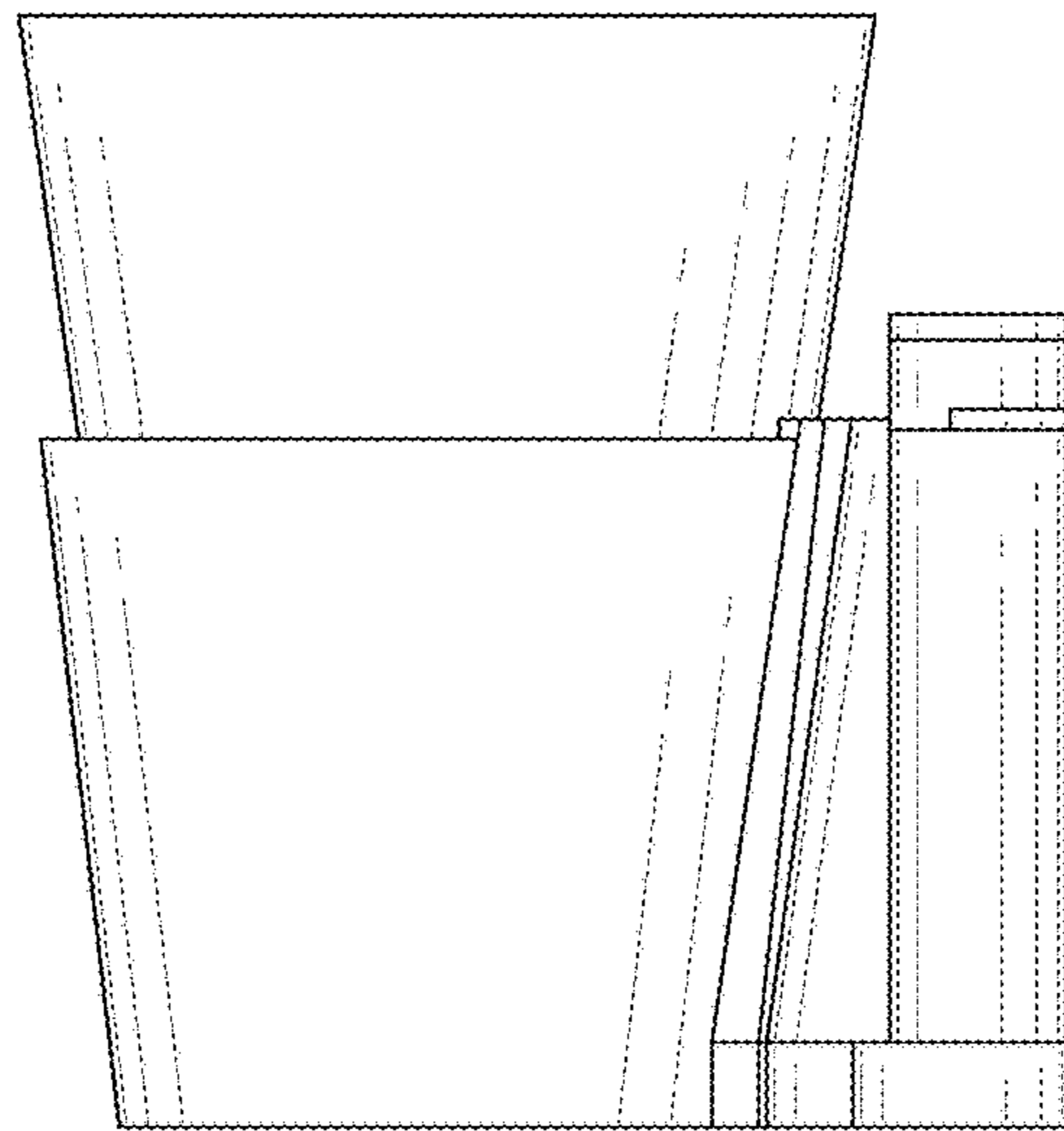


FIG. 5

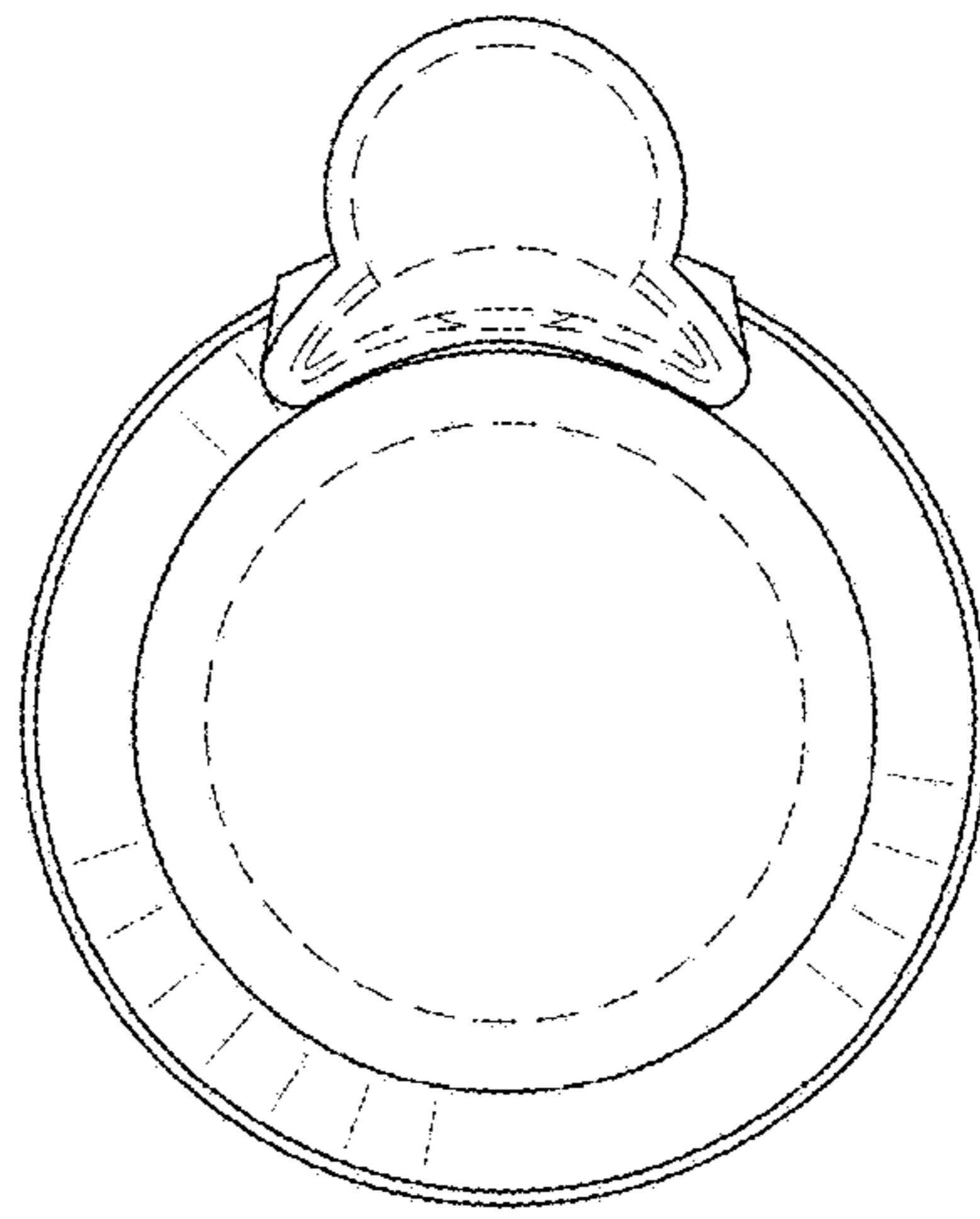


FIG. 6

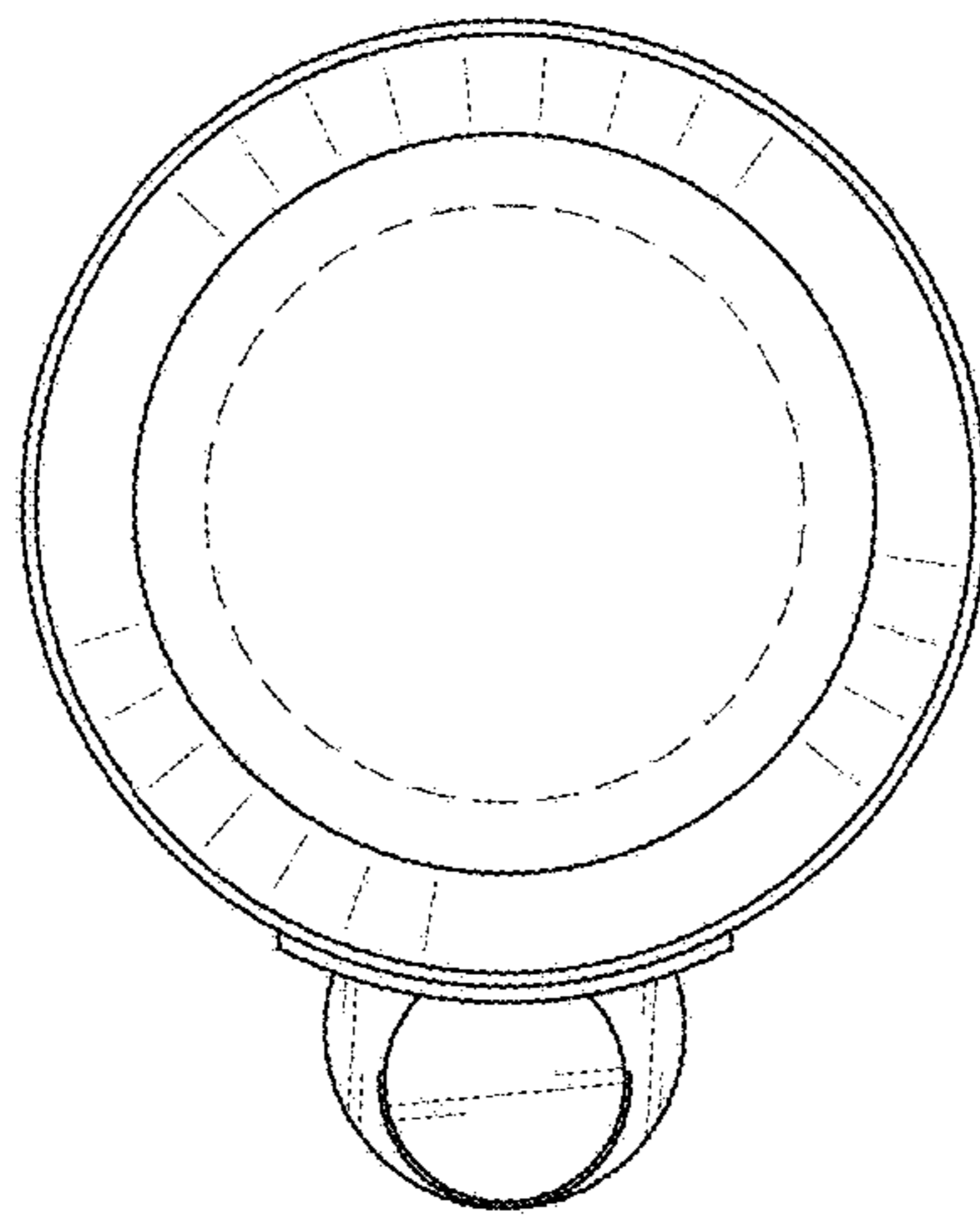


FIG. 7