



US00D840184S

(12) **United States Design Patent**  
**Kim et al.**

(10) **Patent No.:** **US D840,184 S**

(45) **Date of Patent:** **\*\* Feb. 12, 2019**

(54) **OVEN**

(71) Applicant: **Samsung Electronics Co., Ltd.**,  
Suwon-si (KR)

(72) Inventors: **Jaejun Kim**, Seoul (KR); **Jichang Kang**, Seoul (KR); **Hyunsoo Kim**,  
Seongnam-si (KR); **Gisung Han**, Seoul  
(KR)

(73) Assignee: **Samsung Electronics Co., Ltd.**,  
Suwon-si (KR)

(\*\*) Term: **15 Years**

(21) Appl. No.: **29/616,732**

(22) Filed: **Sep. 8, 2017**

(30) **Foreign Application Priority Data**

Jun. 19, 2017 (KR) ..... 30-2017-0028179

(51) **LOC (11) Cl.** ..... **07-02**

(52) **U.S. Cl.**  
USPC ..... **D7/349; D7/348**

(58) **Field of Classification Search**  
USPC ..... D7/323, 328–330, 339–349, 351, 390,  
D7/402–406; D8/300–306  
CPC ... A21B 2/00; A47J 37/00; A47J 37/06; A47J  
37/0611; A47J 37/08; A47J 37/0807;  
A47J 37/0814; A47J 37/0835; A47J  
37/0842; A47J 37/085; A47J 37/0864;  
A47J 37/0878; A47J 37/0885; A47J  
37/0892; F24C 7/00; F24C 7/002; F24C  
7/046; F24C 7/067; F24C 15/02; F24C  
15/04; F24C 15/10; F24C 15/102

See application file for complete search history.

(56) **References Cited**

U.S. PATENT DOCUMENTS

D580,698 S \* 11/2008 Kim ..... D7/348  
D724,889 S \* 3/2015 Borjesson ..... D7/349  
D745,310 S \* 12/2015 Funnell, II ..... D7/349  
D750,414 S \* 3/2016 Funnell, II ..... D7/348

(Continued)

*Primary Examiner* — Ricky Pham

(74) *Attorney, Agent, or Firm* — NSIP Law

(57) **CLAIM**

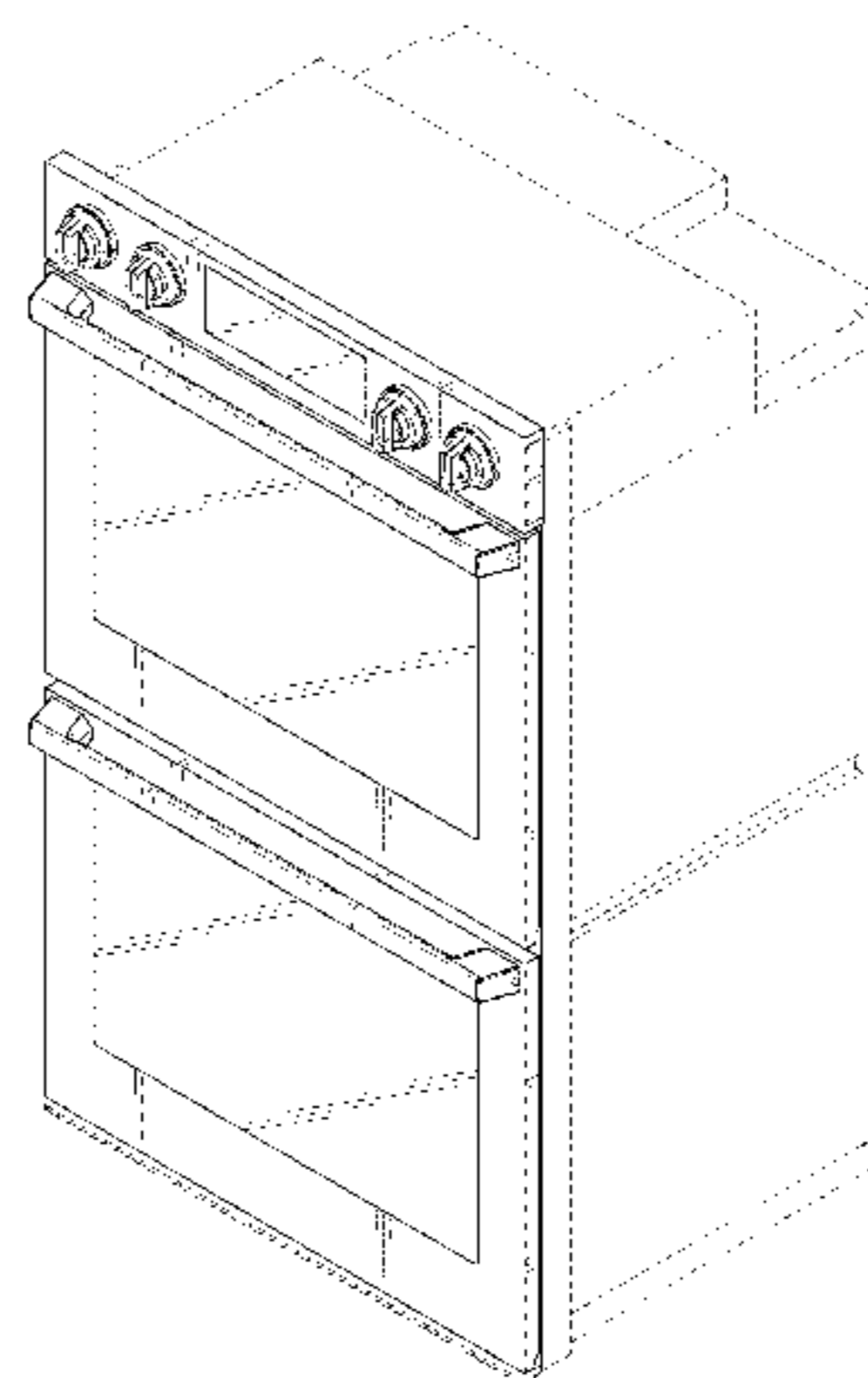
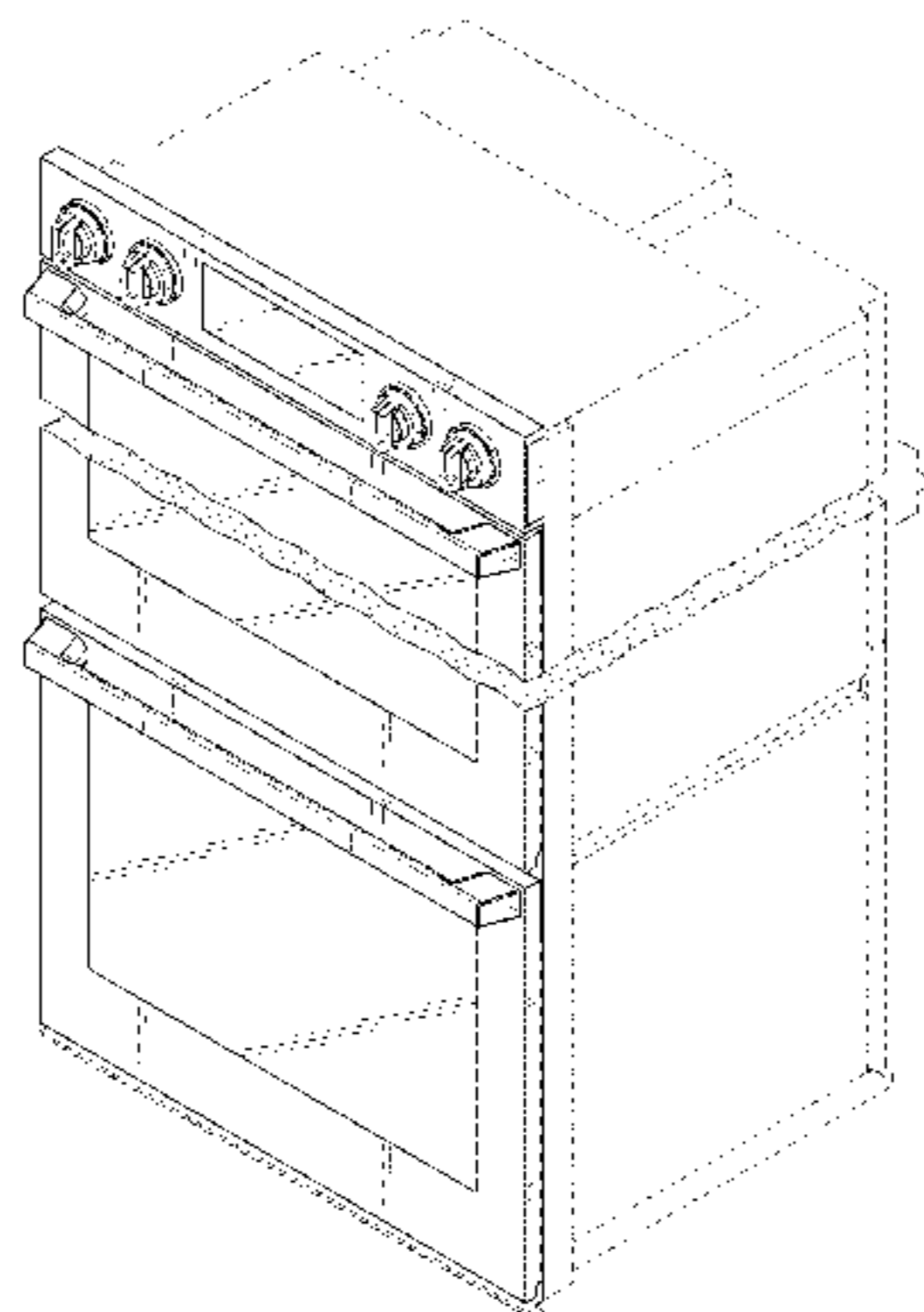
We claim the ornamental design for an oven, as shown and described.

**DESCRIPTION**

FIG. 1 is a front perspective view of a first embodiment of an oven showing our new design;  
FIG. 2 is a front elevational view thereof;  
FIG. 3 is a rear elevational view thereof;  
FIG. 4 is a left-side elevational view thereof;  
FIG. 5 is a right-side elevational view thereof;  
FIG. 6 is a top plan view thereof;  
FIG. 7 is a bottom plan view thereof;  
FIG. 8 is a front perspective view of a second embodiment of an oven showing our new design;  
FIG. 9 is a front elevational view thereof;  
FIG. 10 is a rear elevational view thereof;  
FIG. 11 is a left-side elevational view thereof;  
FIG. 12 is a right-side elevational view thereof;  
FIG. 13 is a top plan view thereof;  
FIG. 14 is a bottom plan view thereof;  
FIG. 15 is a front perspective view of a third embodiment of an oven showing our new design;  
FIG. 16 is a front elevational view thereof;  
FIG. 17 is a rear elevational view thereof;  
FIG. 18 is a left-side elevational view thereof;  
FIG. 19 is a right-side elevational view thereof;  
FIG. 20 is a top plan view thereof; and,  
FIG. 21 is a bottom plan view thereof.

The broken lines in the figures depict environmental subject matter and form no part of the claimed design. In FIGS. 1 to 5, the use of a separation and a bracket is to indicate that the precise length of the oven is not claimed.

**1 Claim, 21 Drawing Sheets**



(56)

**References Cited**

U.S. PATENT DOCUMENTS

D763,617 S *	8/2016	Kim .....	D7/339
D770,839 S *	11/2016	Shoemaker .....	D7/348
D773,232 S *	12/2016	Shoemaker .....	D7/339
D777,502 S *	1/2017	Fuller .....	D7/339
D789,740 S *	6/2017	Shoemaker .....	D7/406
D812,959 S *	3/2018	Kim .....	D7/348
D817,066 S *	5/2018	Shoemaker .....	D7/339
D817,067 S *	5/2018	Shoemaker .....	D7/349
D821,799 S *	7/2018	Kim .....	D7/340

\* cited by examiner

FIG. 1

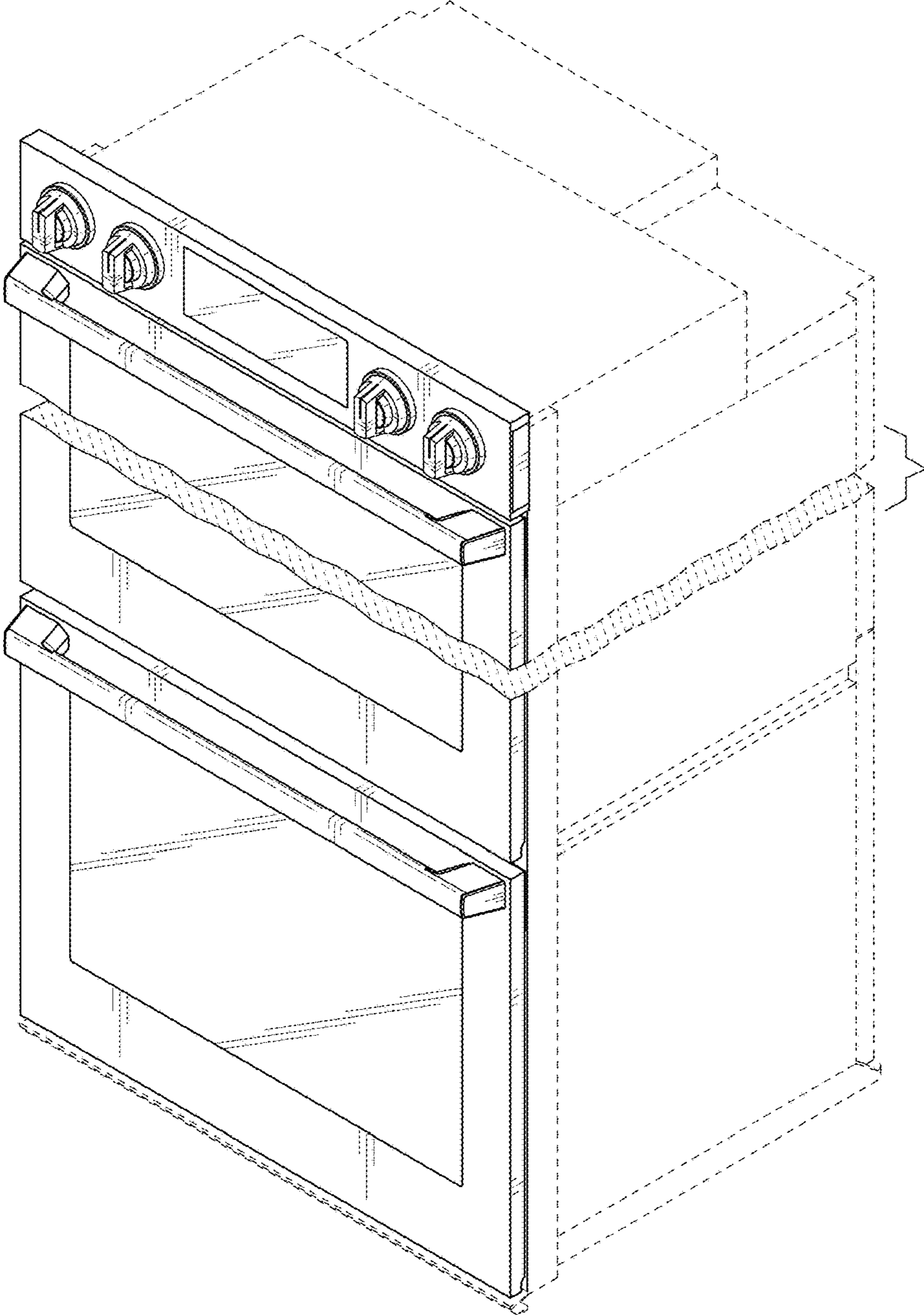


FIG. 2

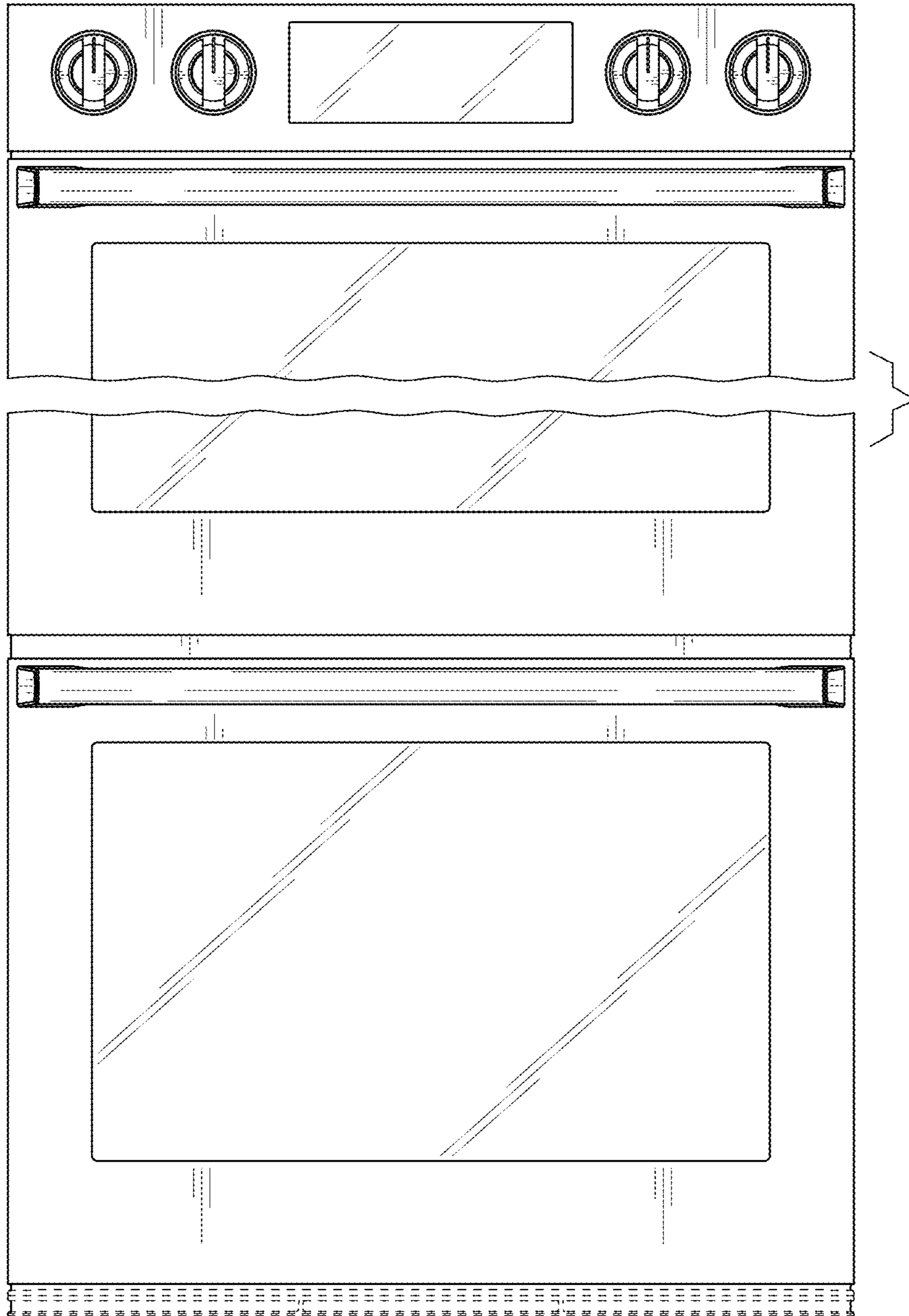


FIG. 3

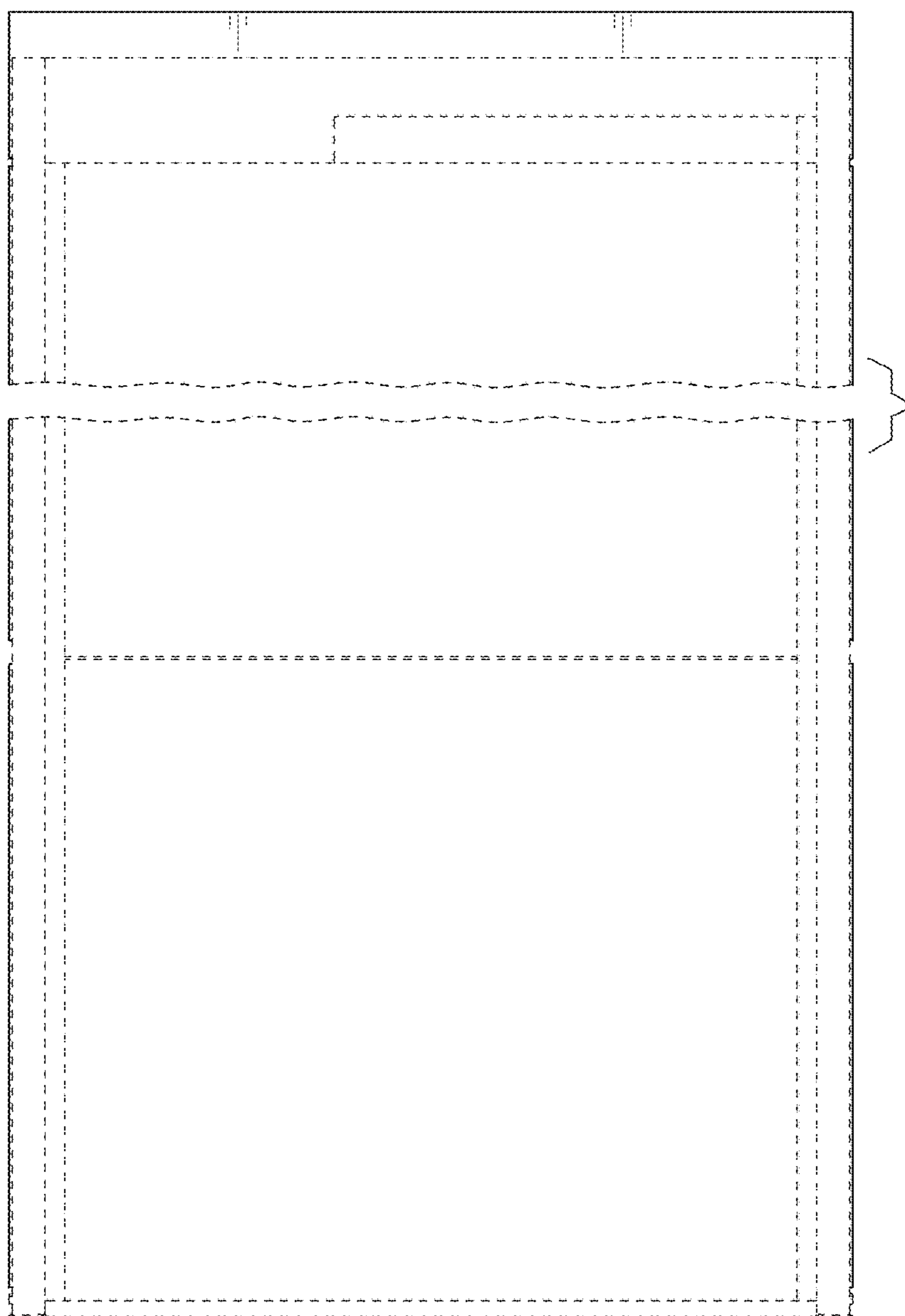


FIG. 4

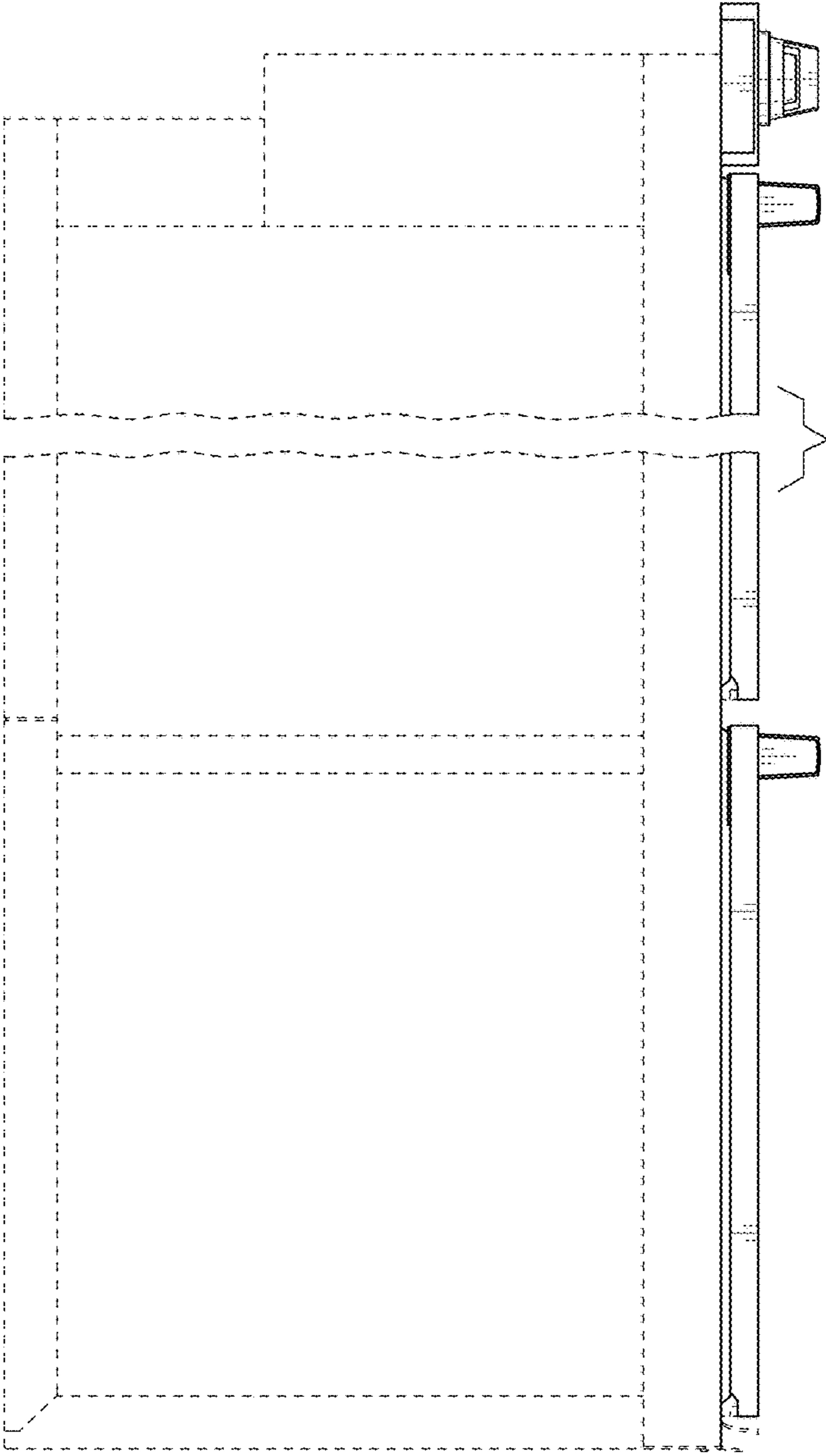


FIG. 5

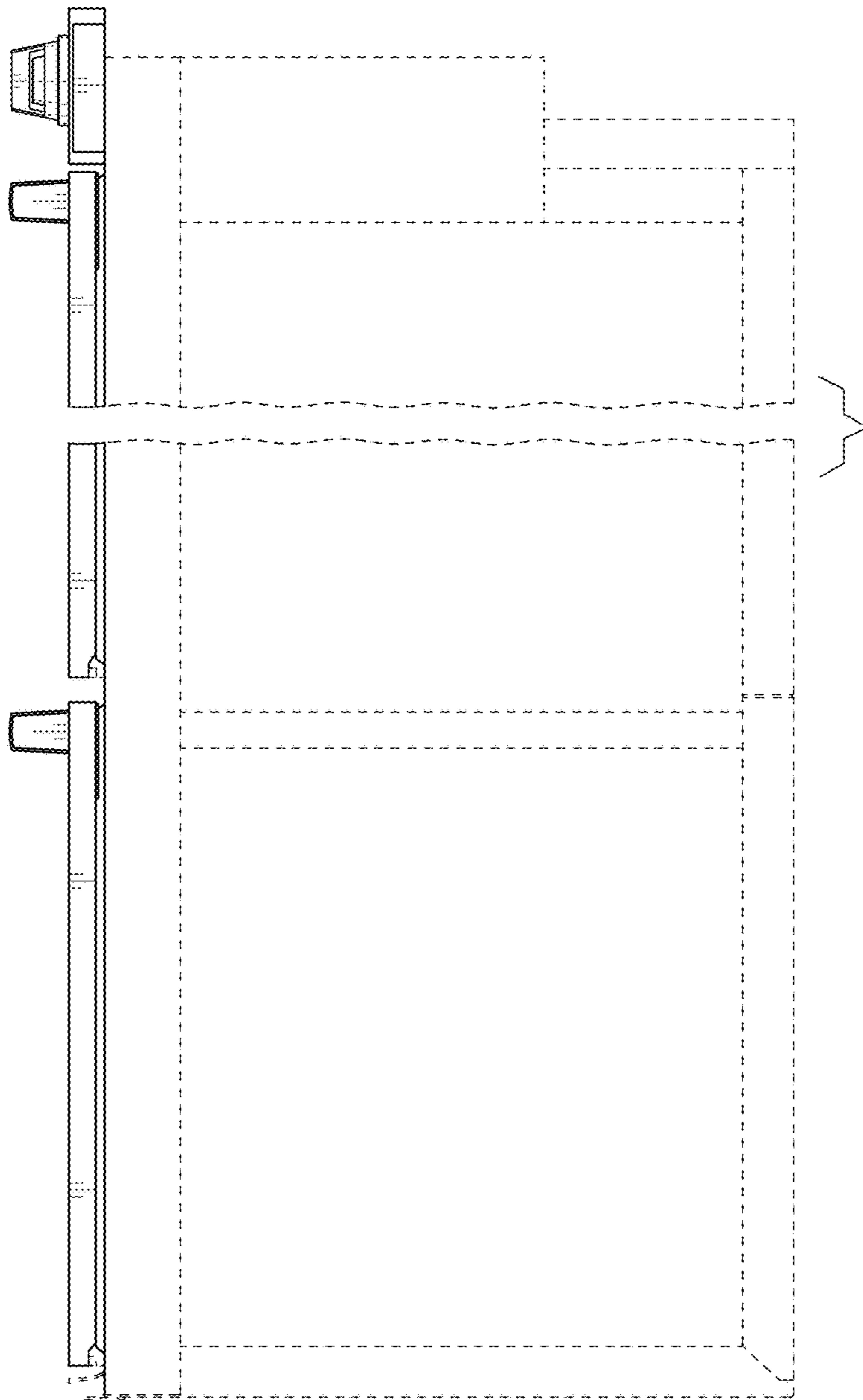


FIG. 6

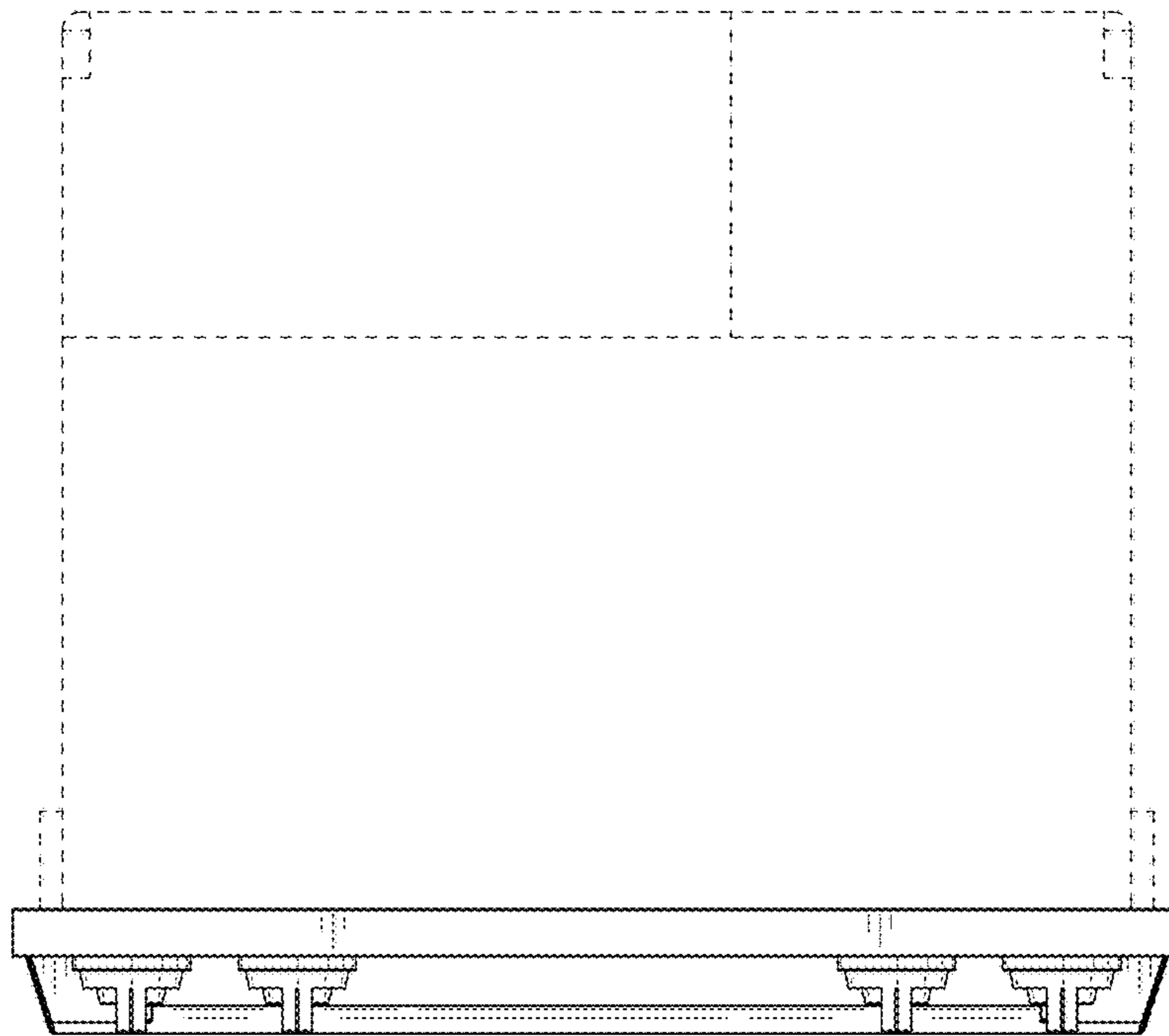




FIG. 7

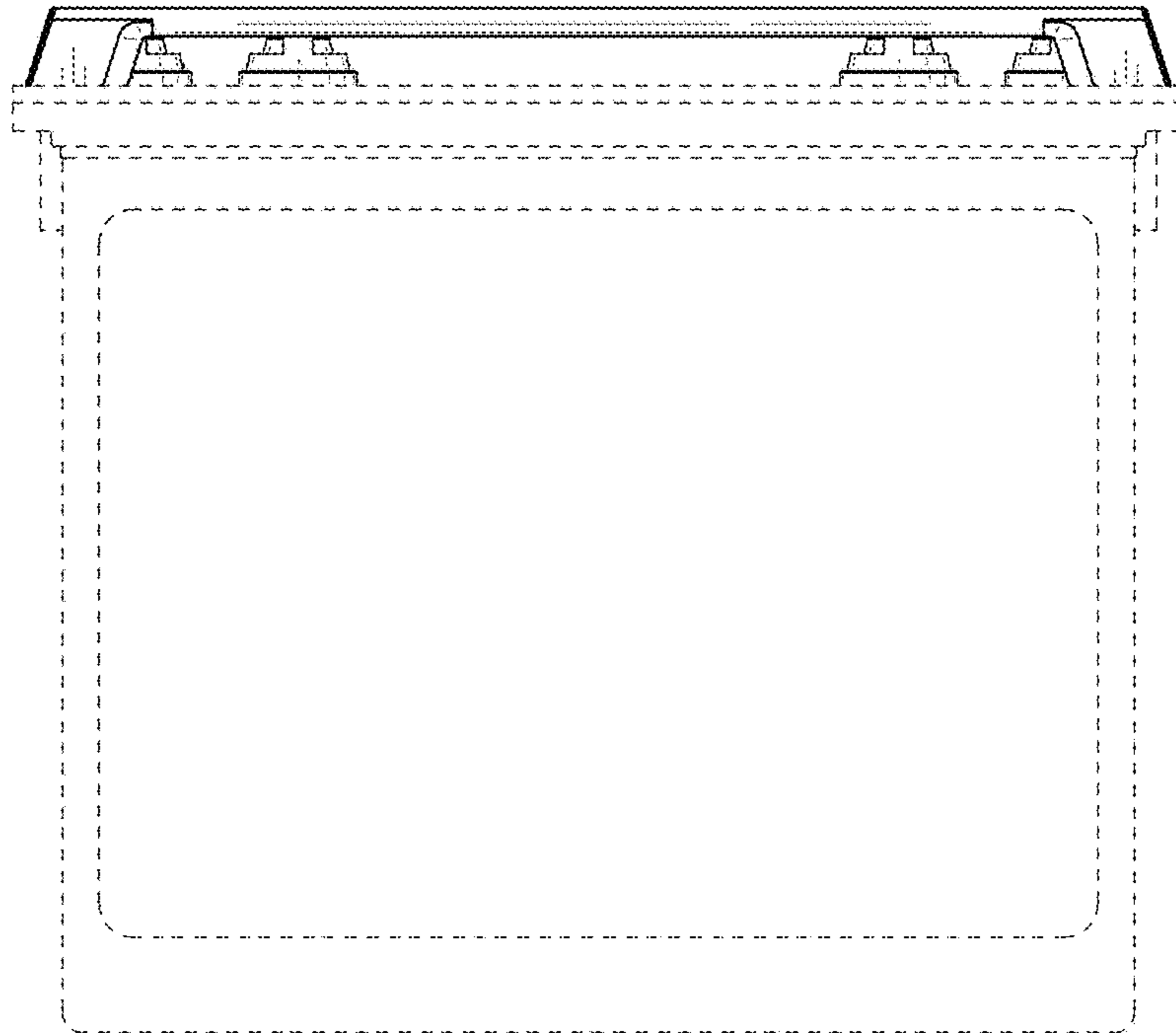


FIG. 8

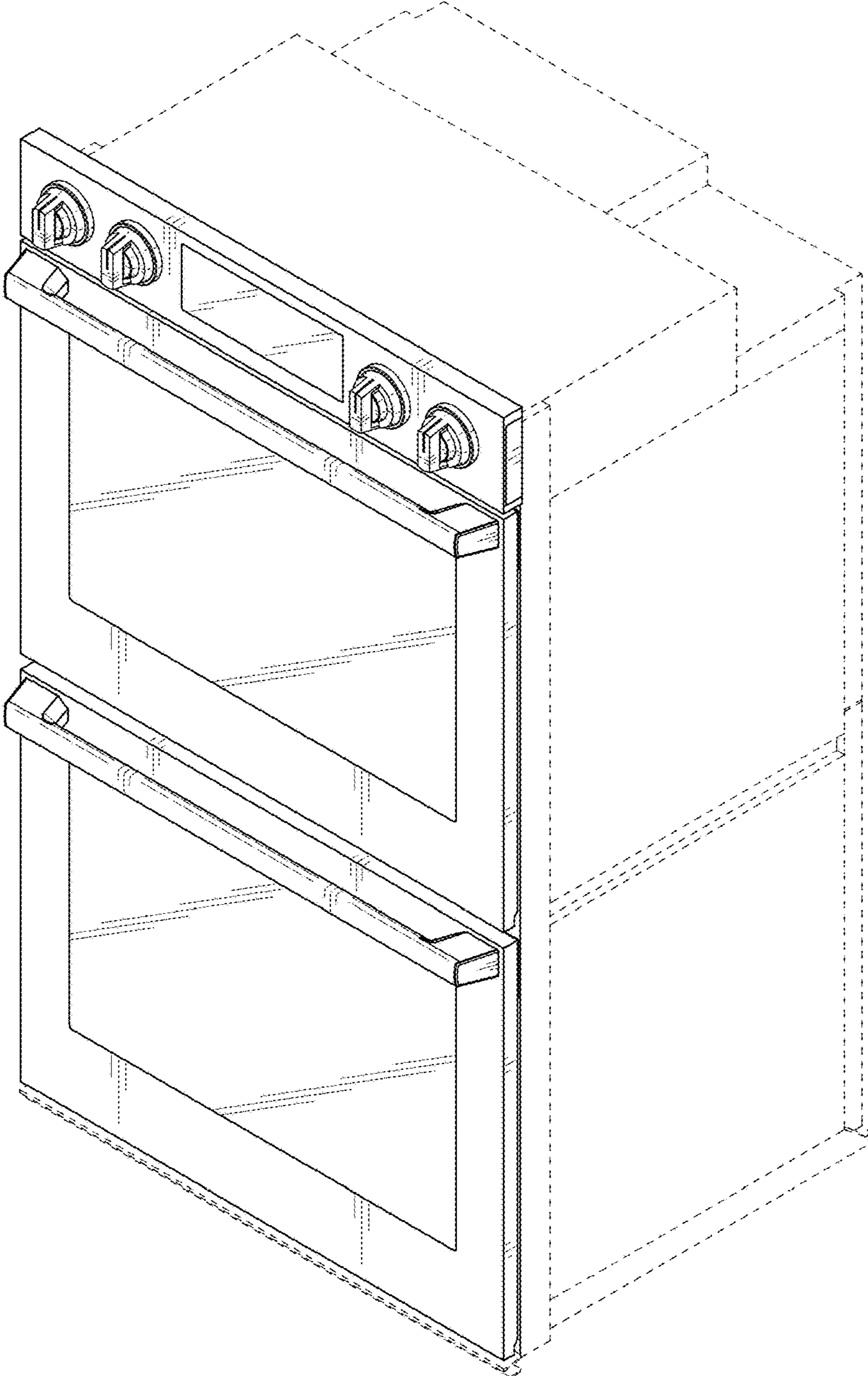


FIG. 9

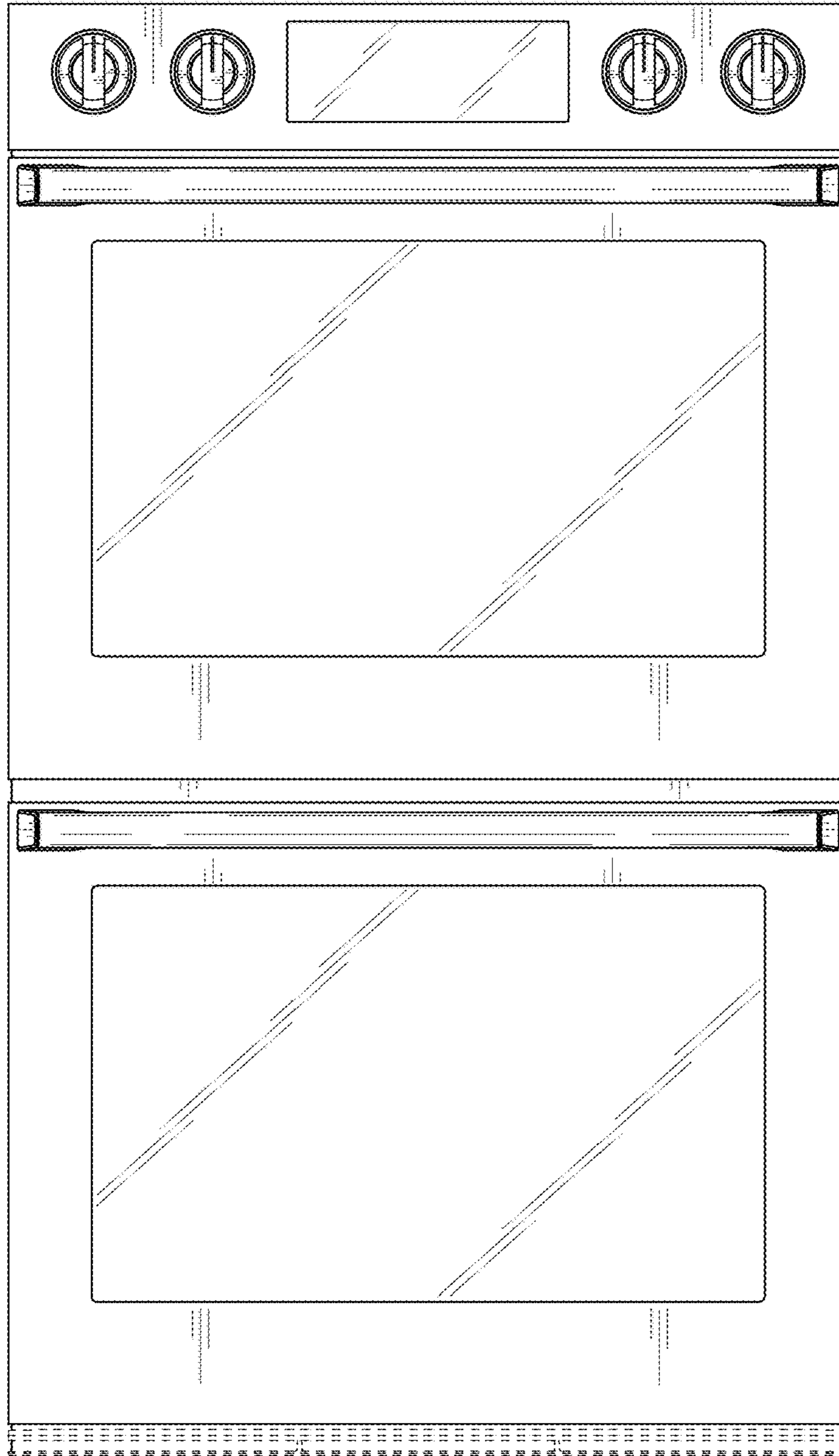


FIG. 10

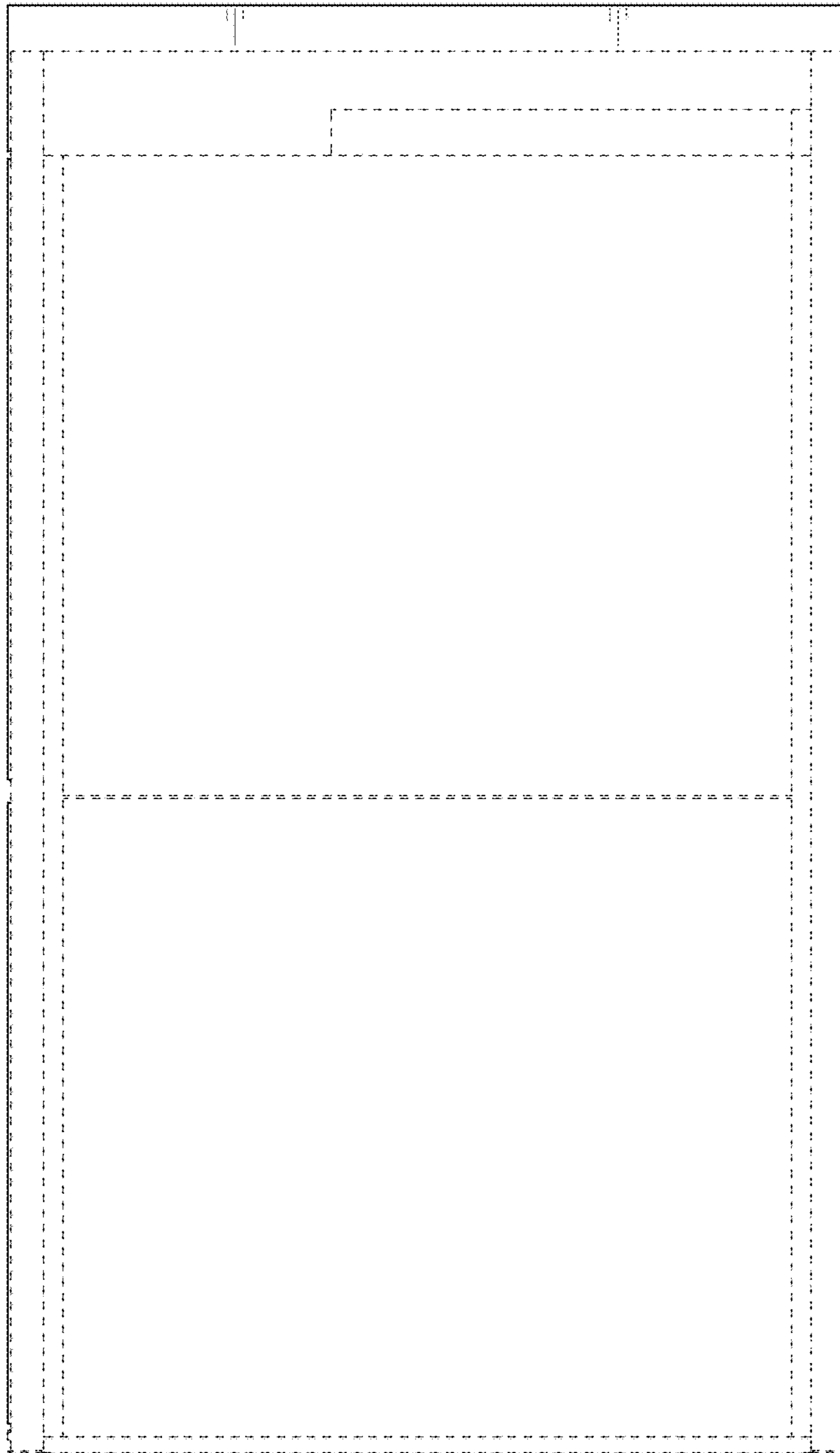


FIG. 11

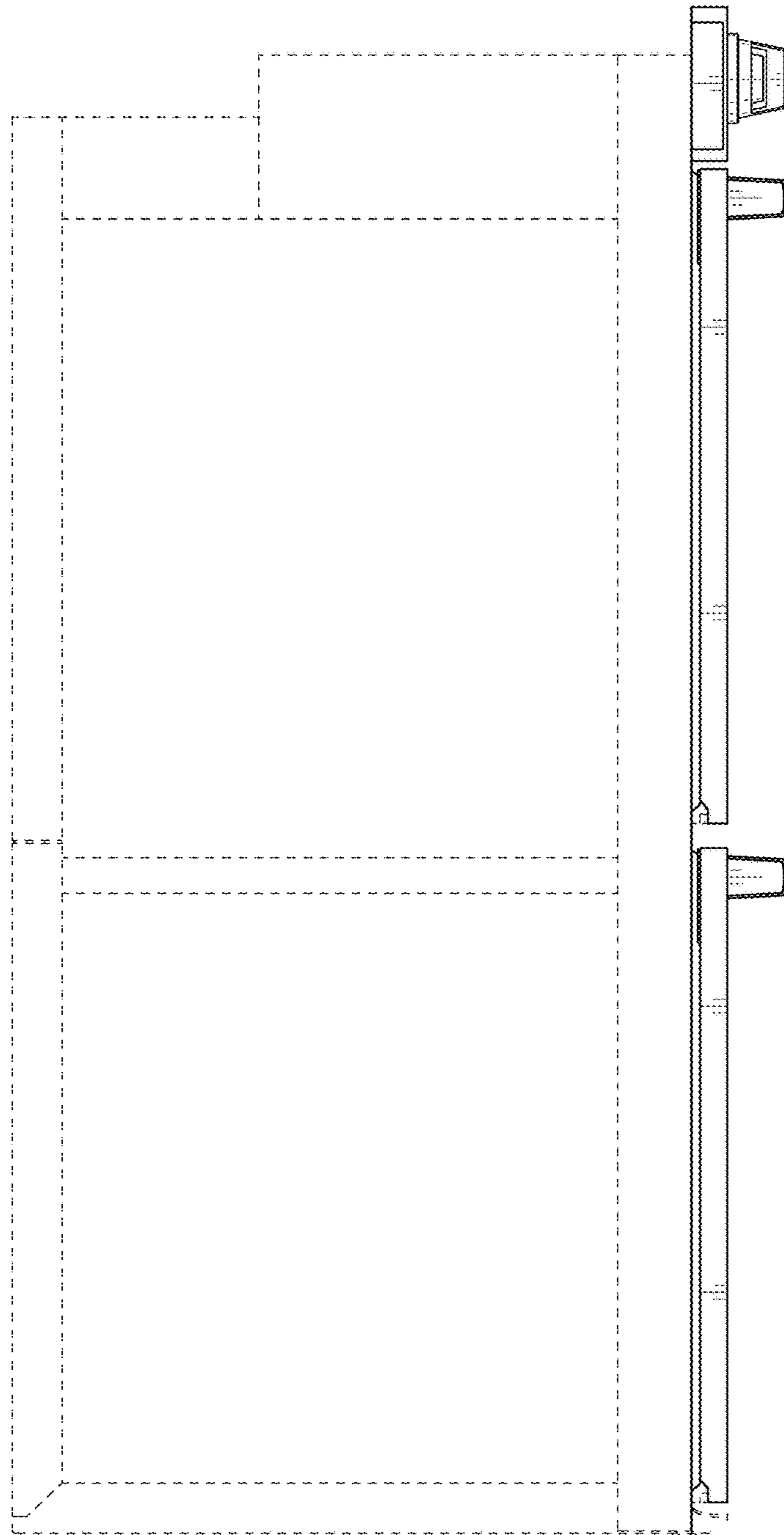


FIG. 12

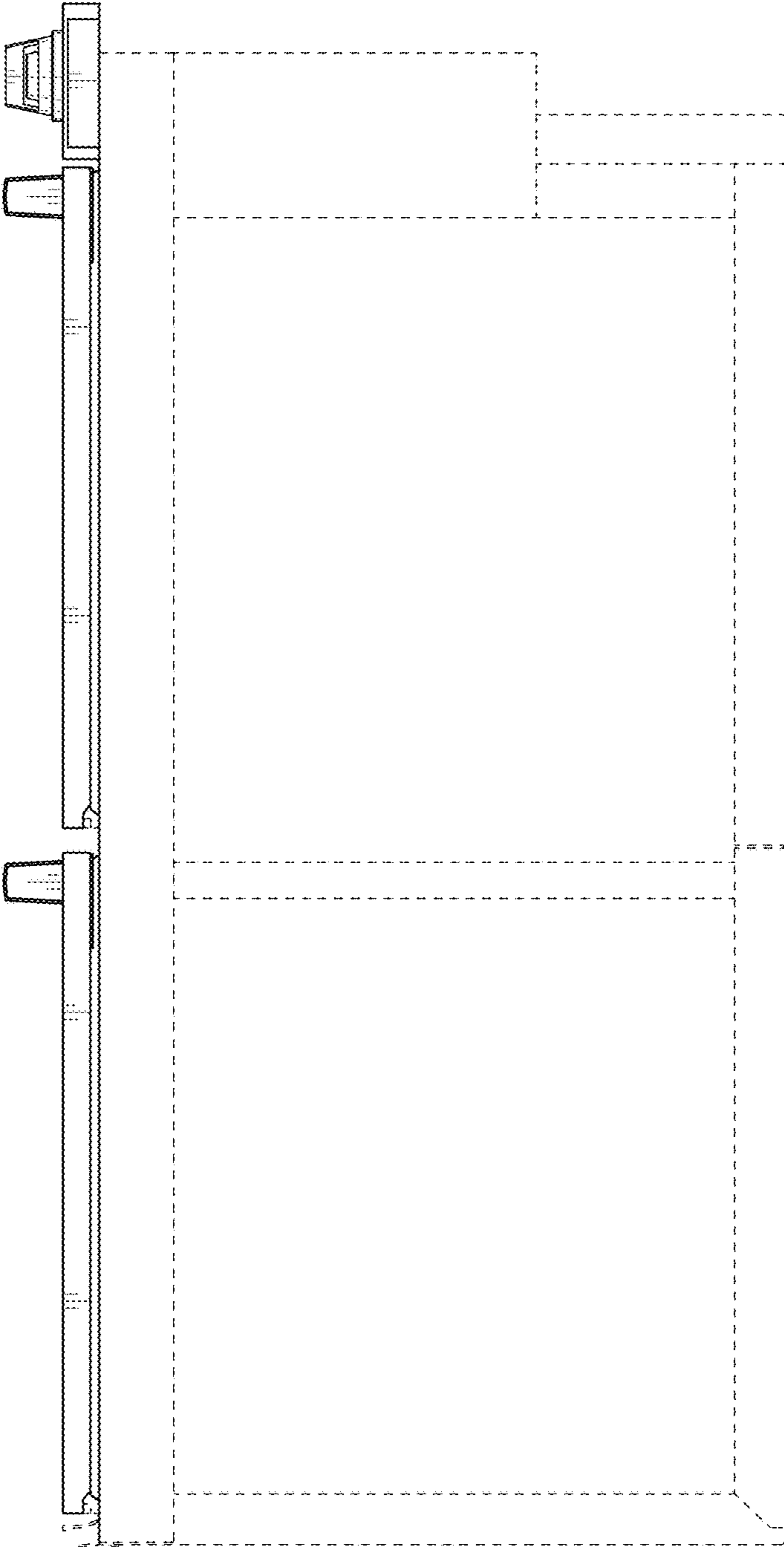


FIG. 13

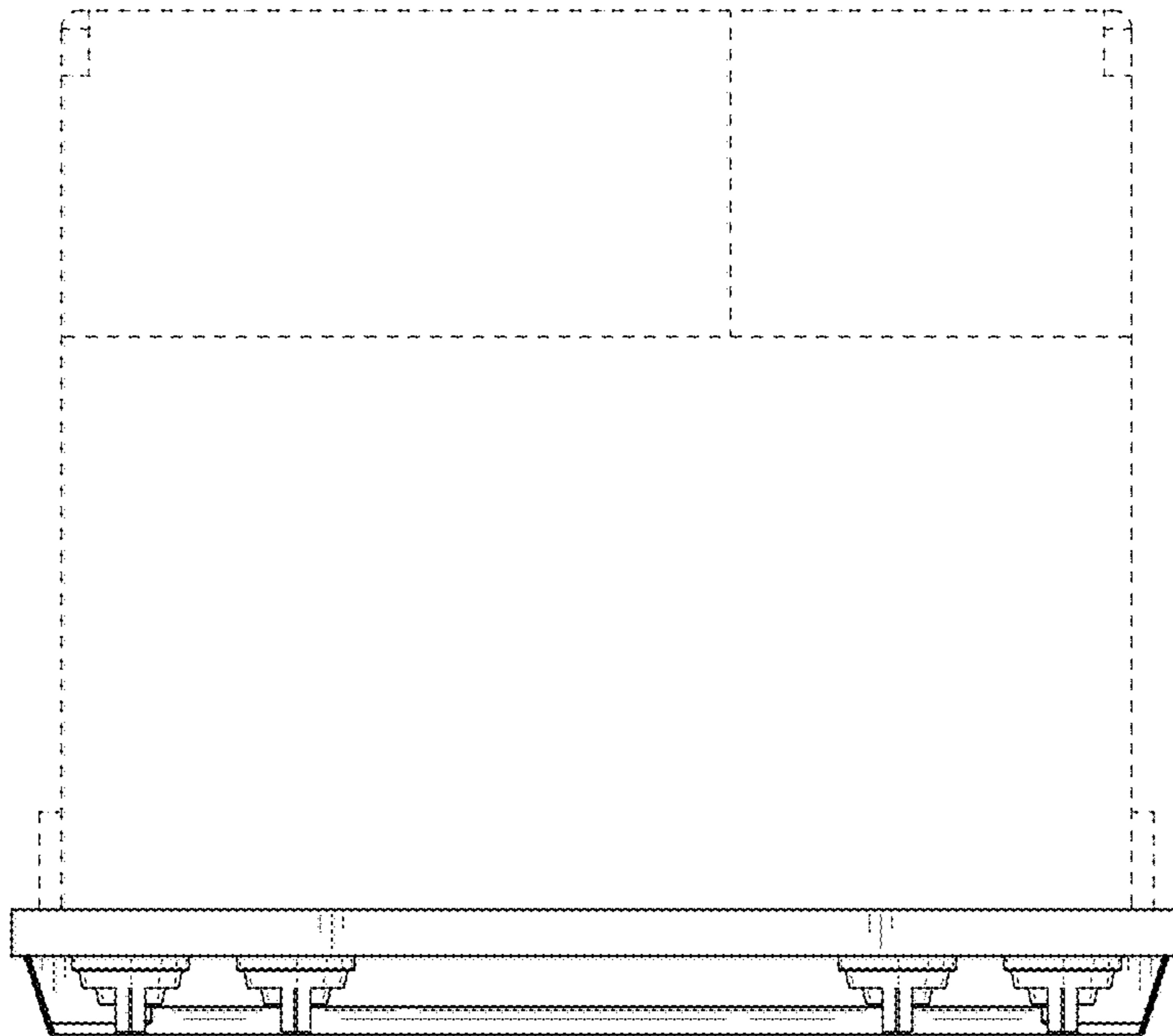


FIG. 14

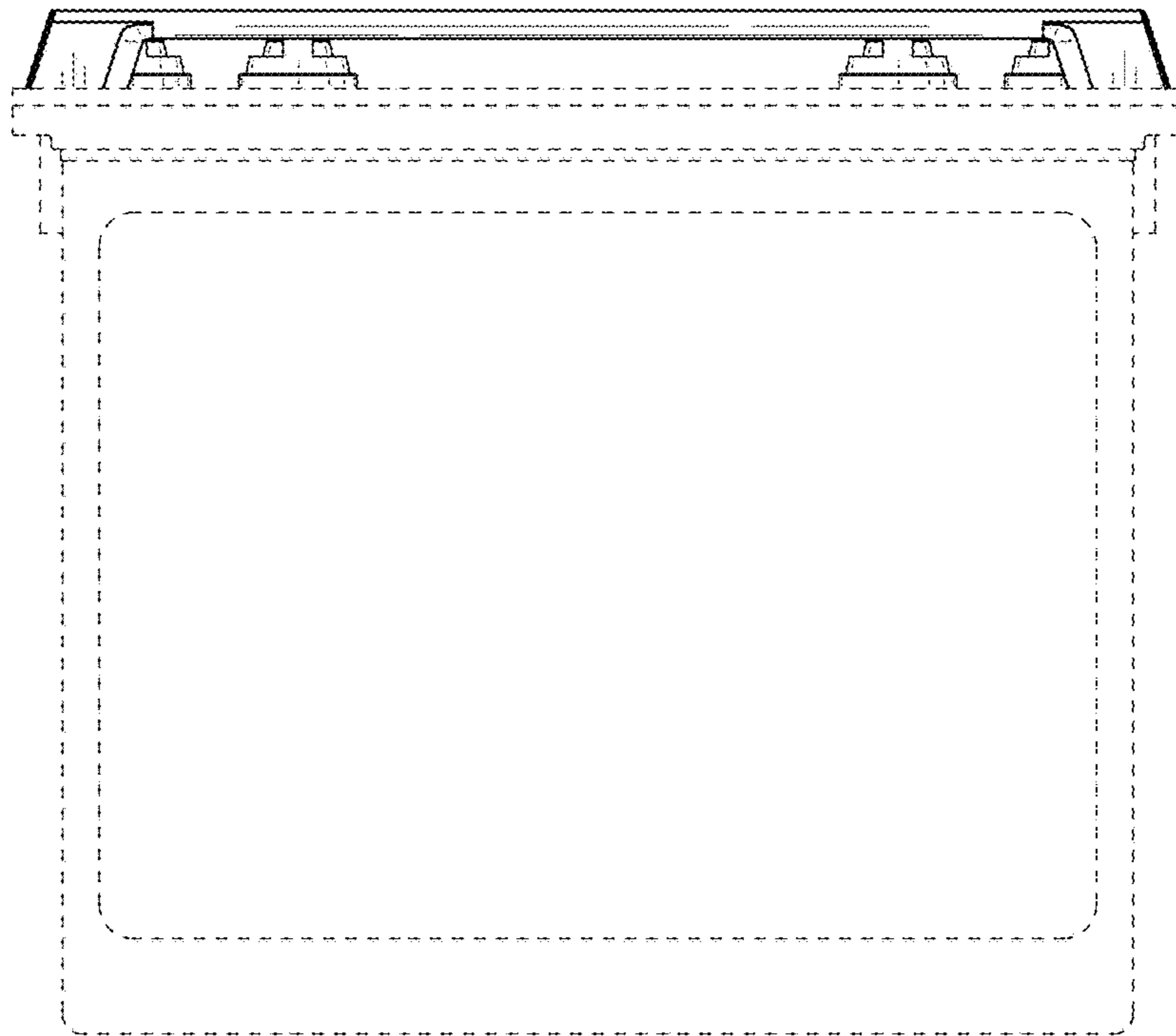




FIG. 15

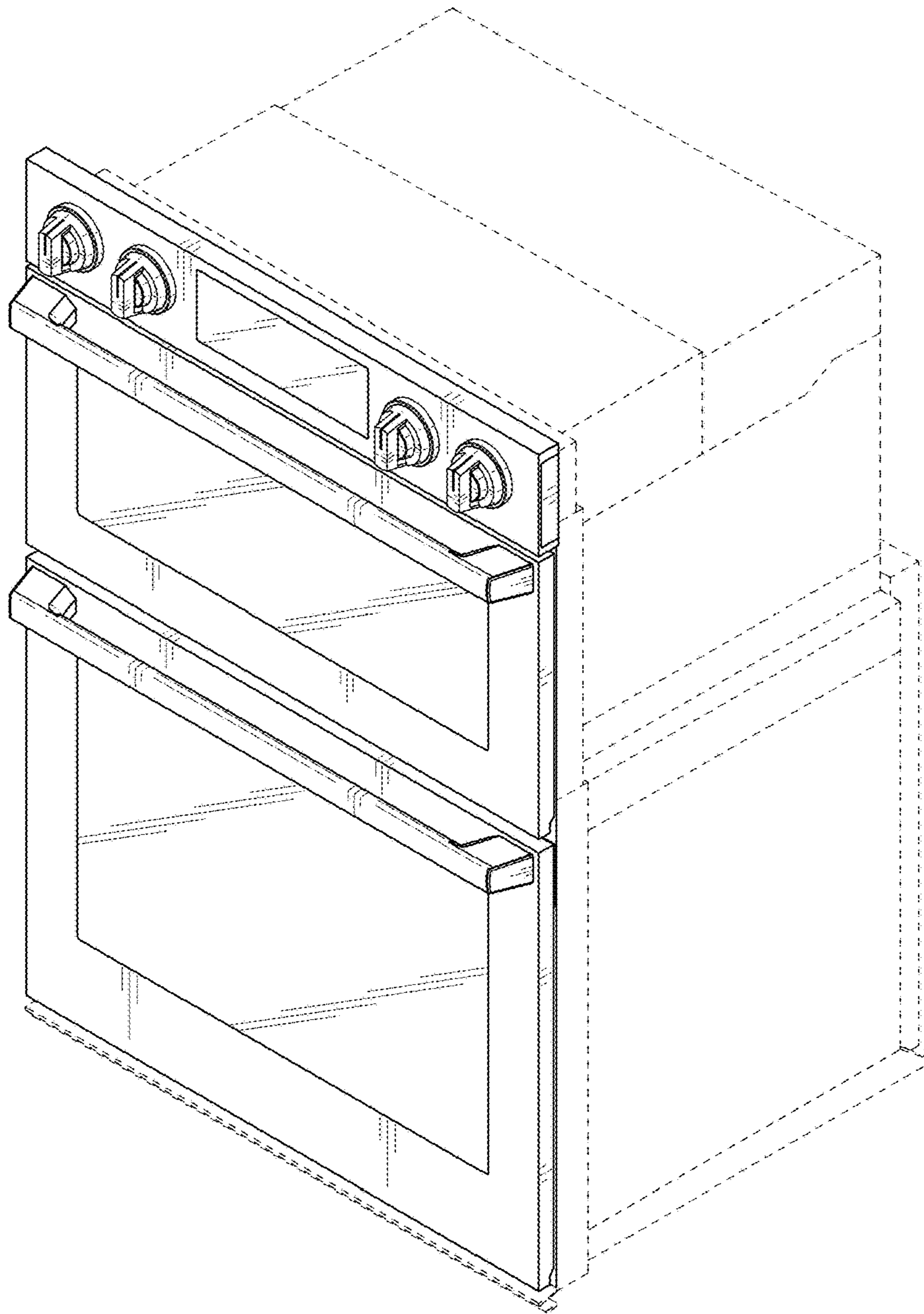


FIG. 16

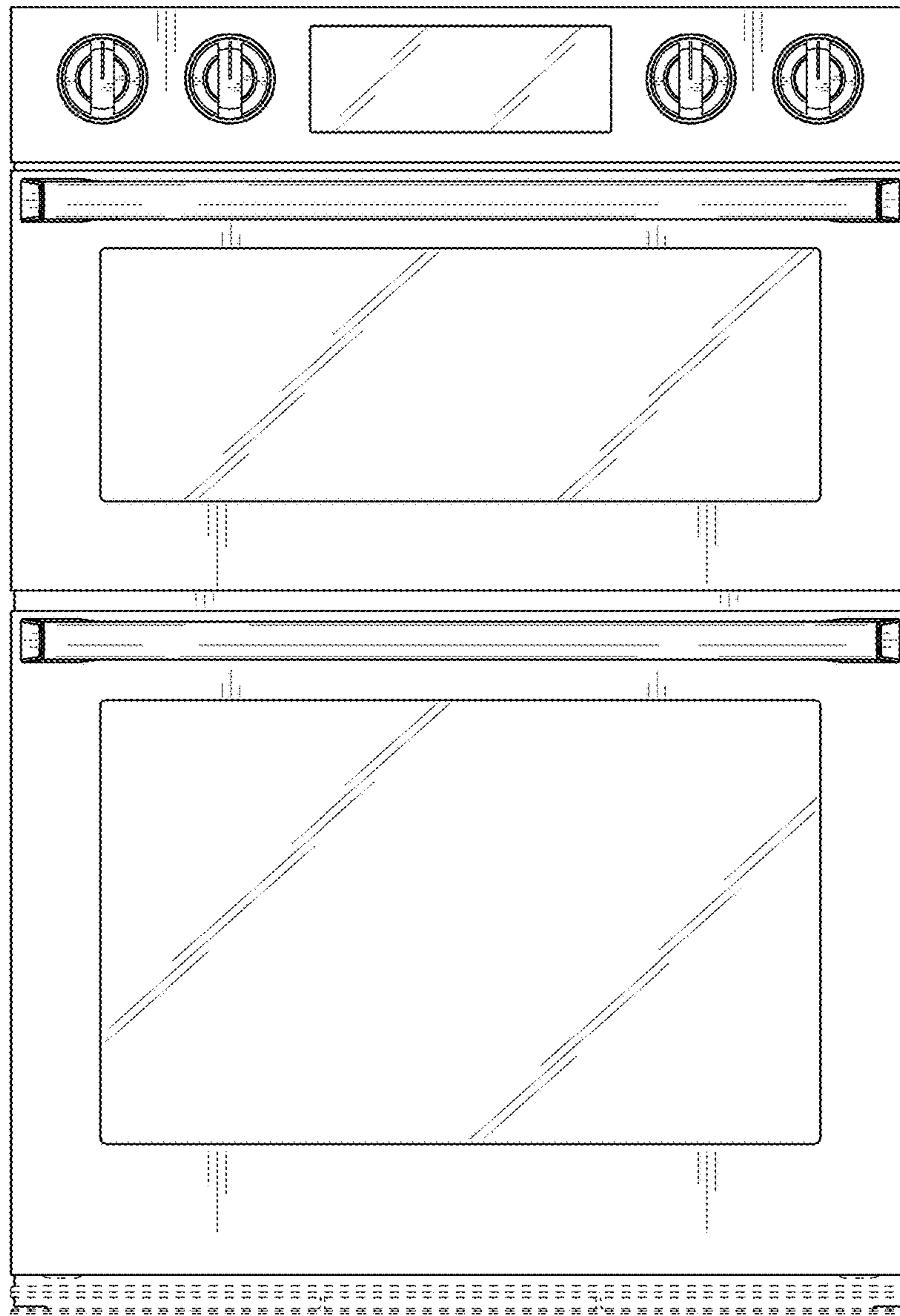


FIG. 17

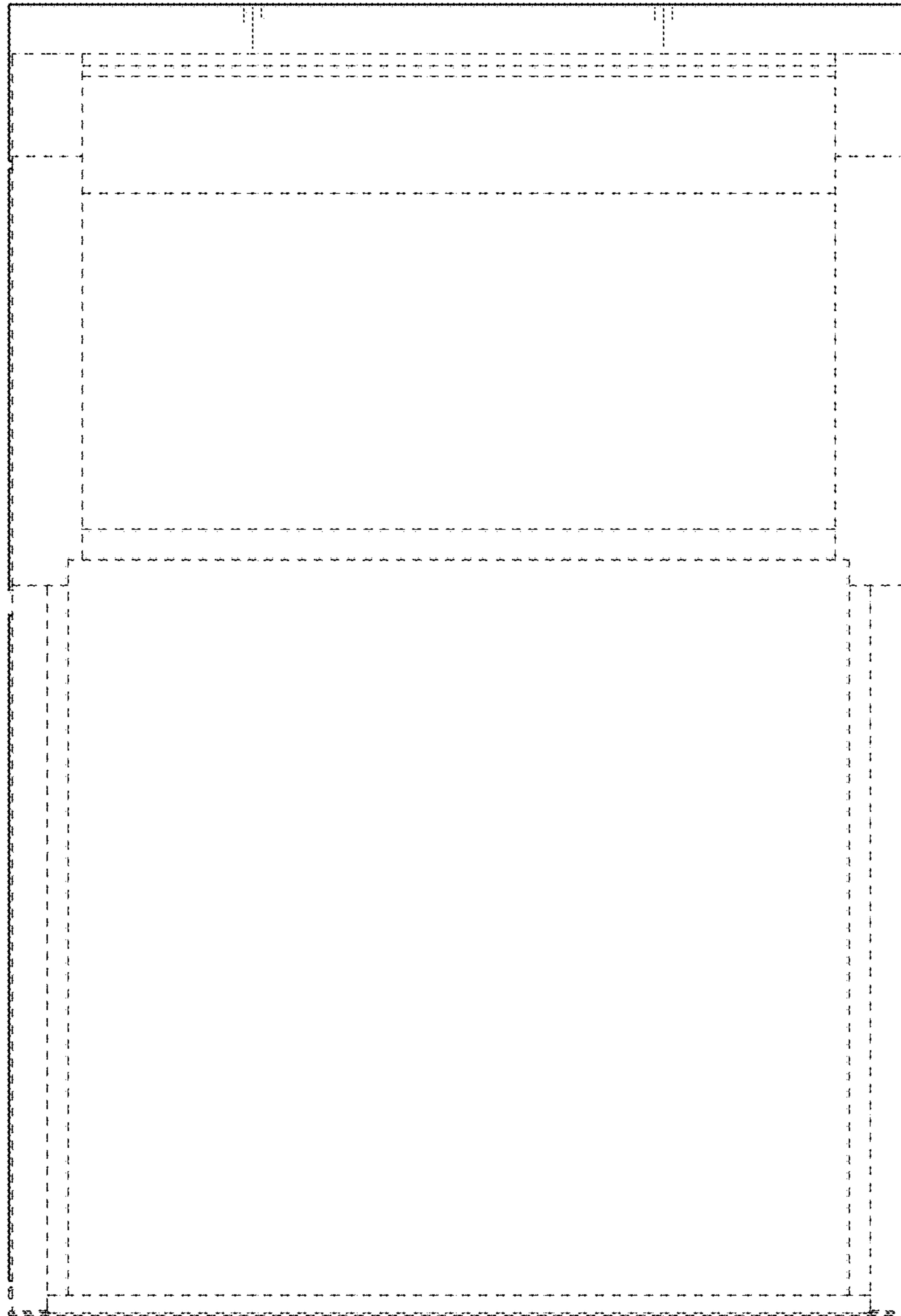


FIG. 18

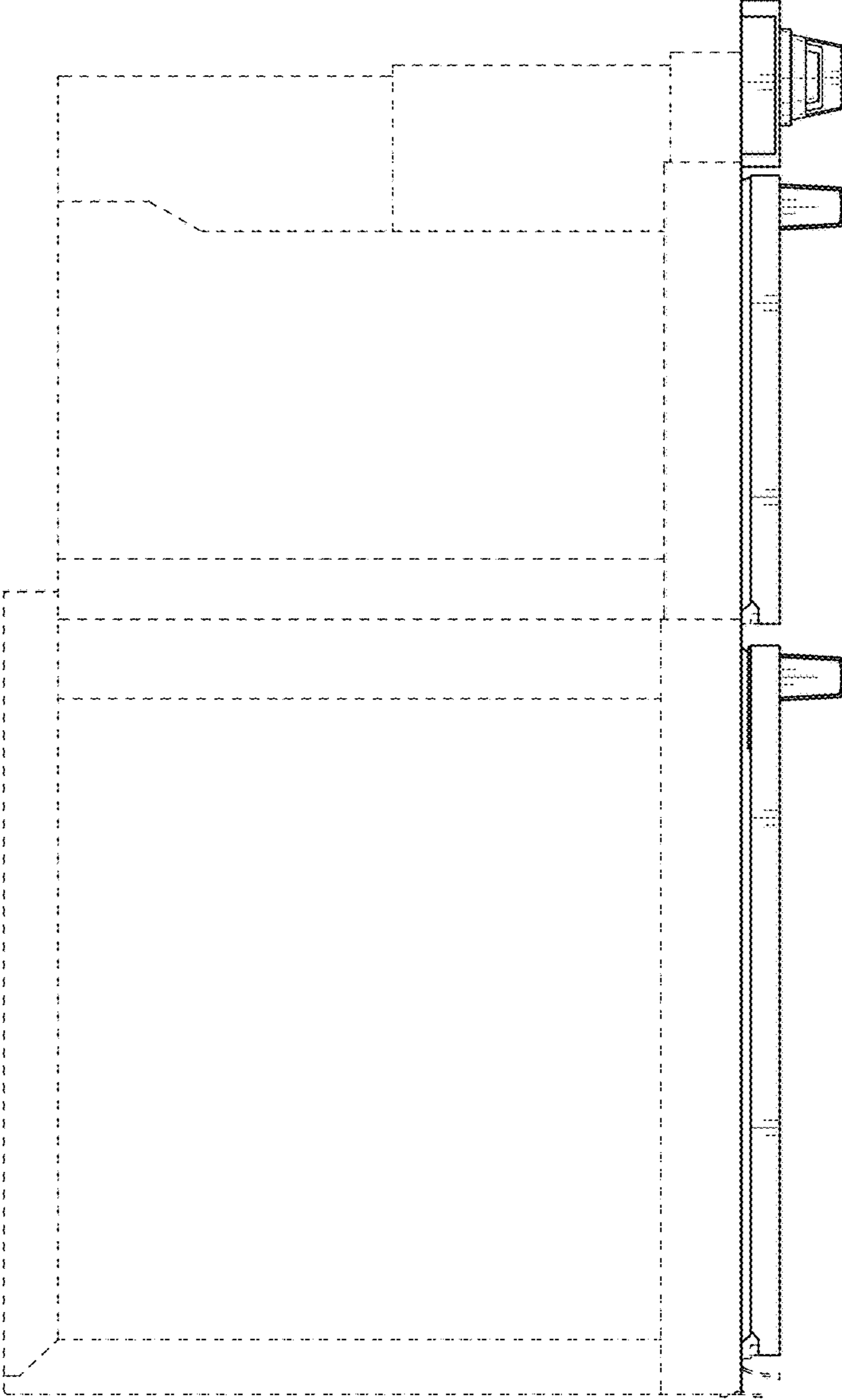


FIG. 19

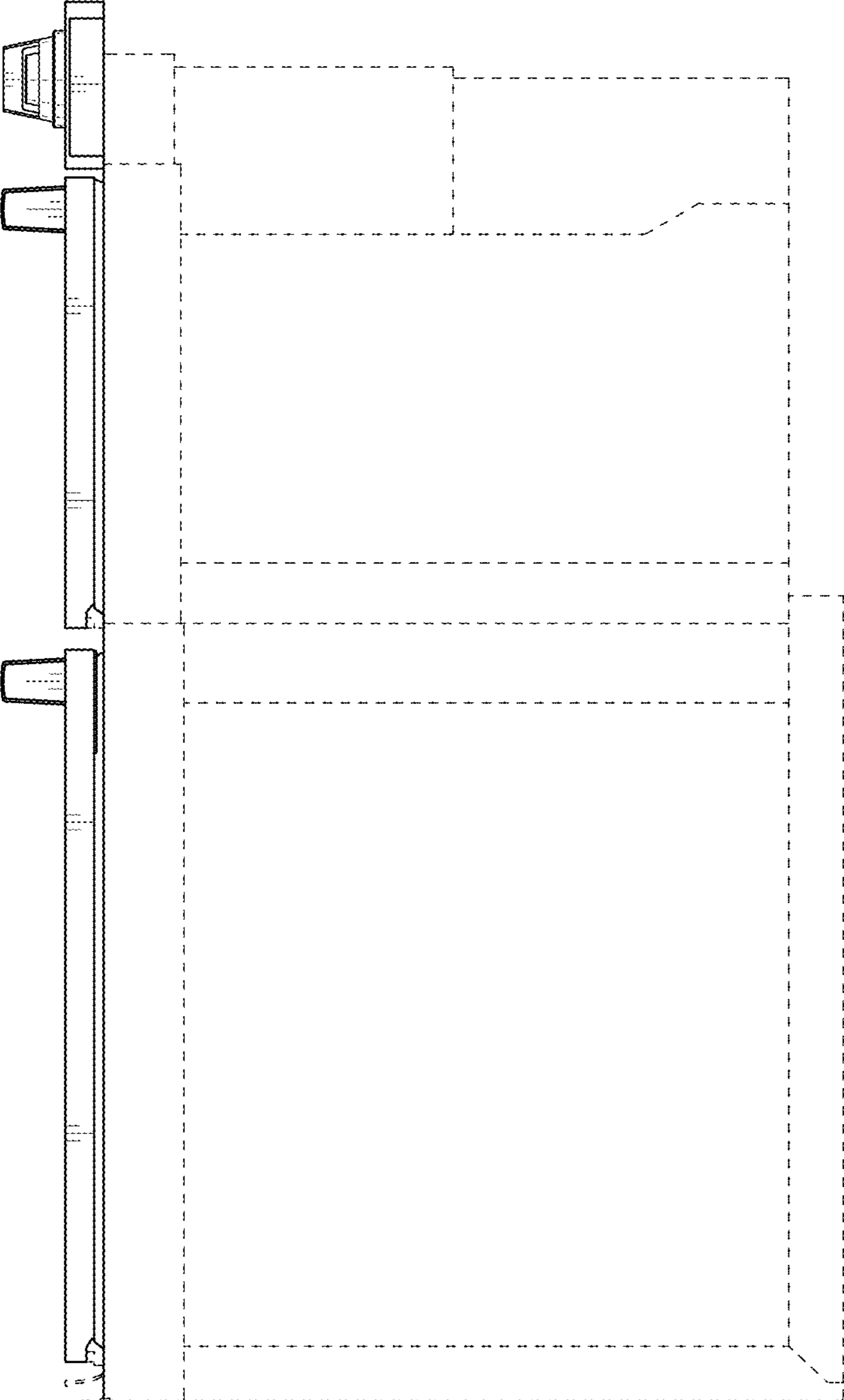


FIG. 20

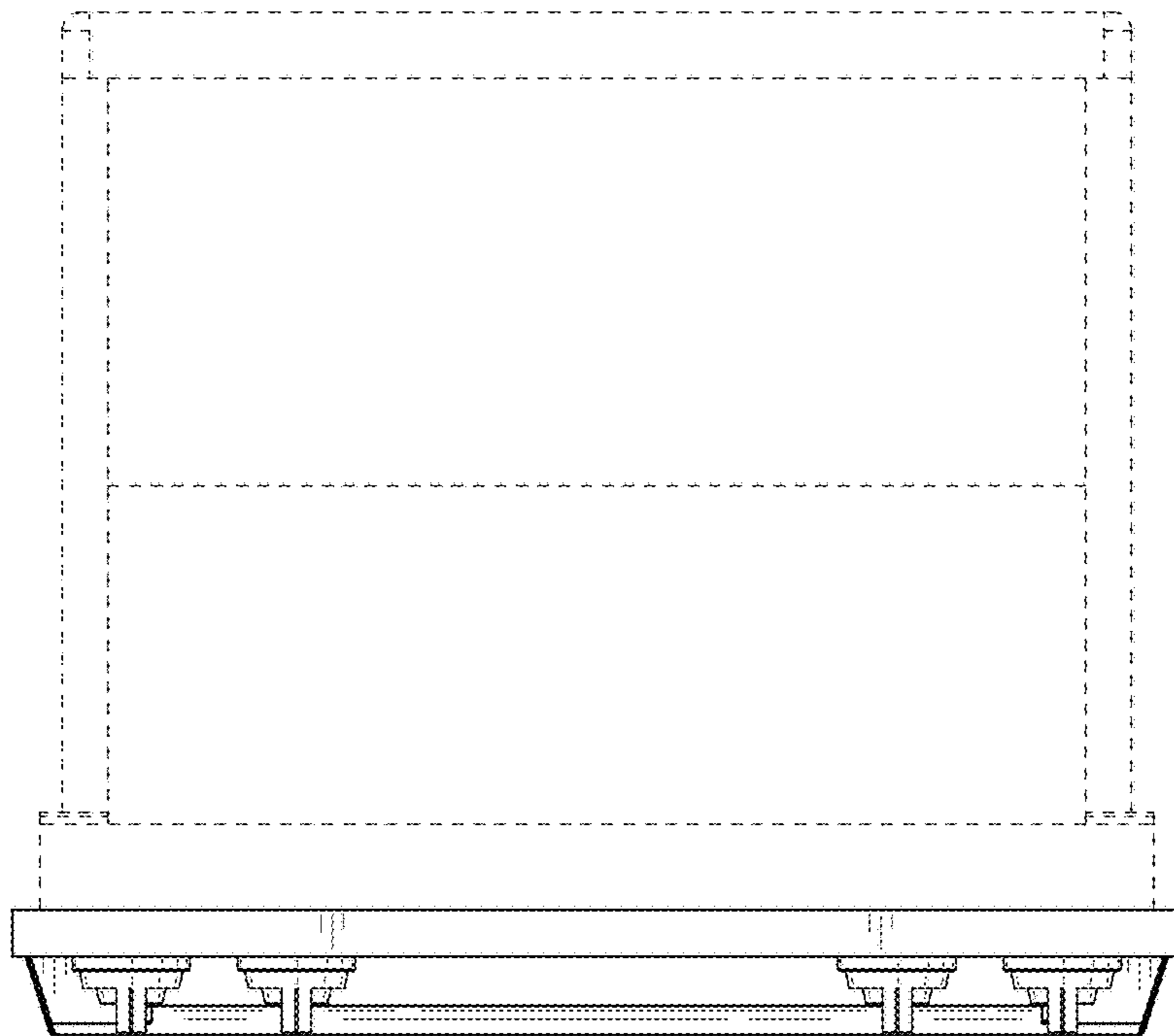


FIG. 21

