



US00D840181S

(12) **United States Design Patent**
Bougay

(10) **Patent No.:** **US D840,181 S**

(45) **Date of Patent:** **** Feb. 12, 2019**

- (54) **TABLE**
- (71) Applicant: **Jardin Netherlands B.V.**, Rijen (NL)
- (72) Inventor: **Ayala Bougay**, Kefar Veradim (IL)
- (73) Assignee: **JARDIN NETHERLANDS B.V.**, Rijen (NL)
- (**) Term: **15 Years**
- (21) Appl. No.: **29/573,045**
- (22) Filed: **Aug. 2, 2016**
- (30) **Foreign Application Priority Data**
Feb. 2, 2016 (IL) 58030
- (51) **LOC (11) Cl.** **06-03**
- (52) **U.S. Cl.**
USPC **D6/689; D6/691.9**
- (58) **Field of Classification Search**
USPC D6/349, 657, 663, 664, 685–687, 689, D6/691, 691.1–691.9
CPC .. A47B 3/00; A47B 7/00; A47B 13/00; A47B 13/003; A47B 13/02; A47B 13/04; A47B 13/08; A47B 21/00; A47B 2200/0011; A47B 2200/0016; A47B 2200/0017
See application file for complete search history.

- (56) **References Cited**
U.S. PATENT DOCUMENTS
D252,902 S * 9/1979 Ungaro D6/691.8
D297,080 S * 8/1988 Hemberg D6/691

- 5,615,619 A * 4/1997 King A47B 25/00 108/25
- 6,389,987 B1 * 5/2002 King A47B 25/00 108/25
- D491,387 S * 6/2004 Muller D6/691.3
- D589,282 S * 3/2009 Lowsky D6/689
- D644,467 S * 9/2011 Zannella A47B 25/00 D6/707.19
- D670,104 S * 11/2012 Li A47B 25/00 D6/691
- D785,983 S * 5/2017 Denby D6/689
- D806,457 S * 1/2018 Shemer D6/691

* cited by examiner

Primary Examiner — Mary Ann Calabrese

(74) *Attorney, Agent, or Firm* — Dorsey & Whitney LLP

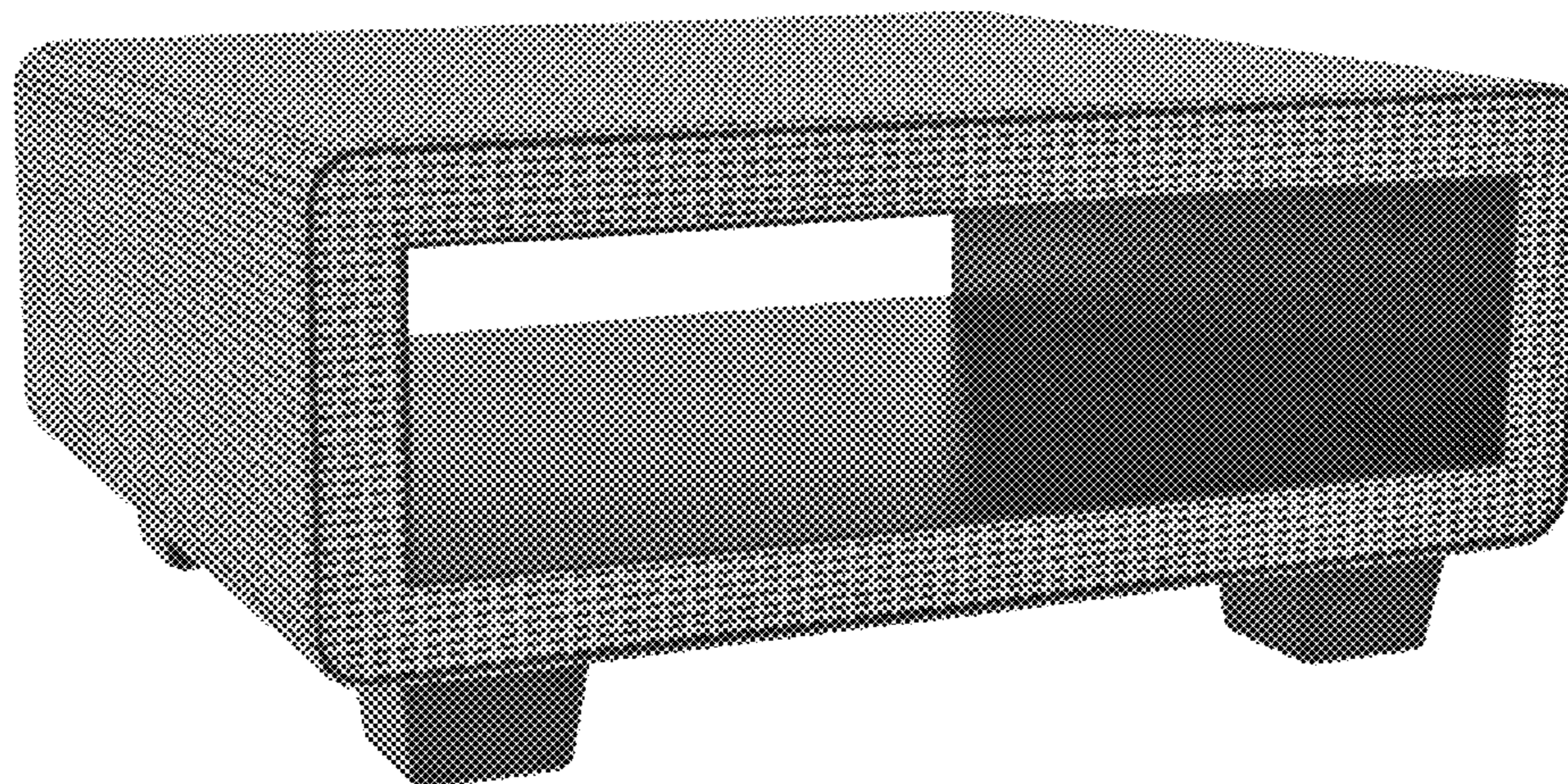
(57) **CLAIM**

The ornamental design for a table, as shown and described.

DESCRIPTION

FIG. 1 is a front perspective view of a table showing the new design;
 FIG. 2 is a side perspective view of the table, as shown in FIG. 1;
 FIG. 3 is a front view of the table, as shown in FIG. 1; rear side view being identical;
 FIG. 4 is a side view of the table as shown in FIG. 1; other side view being identical;
 FIG. 5 is a top view of the table as shown in FIG. 1; and,
 FIG. 6 is a bottom view of the table as shown in FIG. 1.

1 Claim, 6 Drawing Sheets



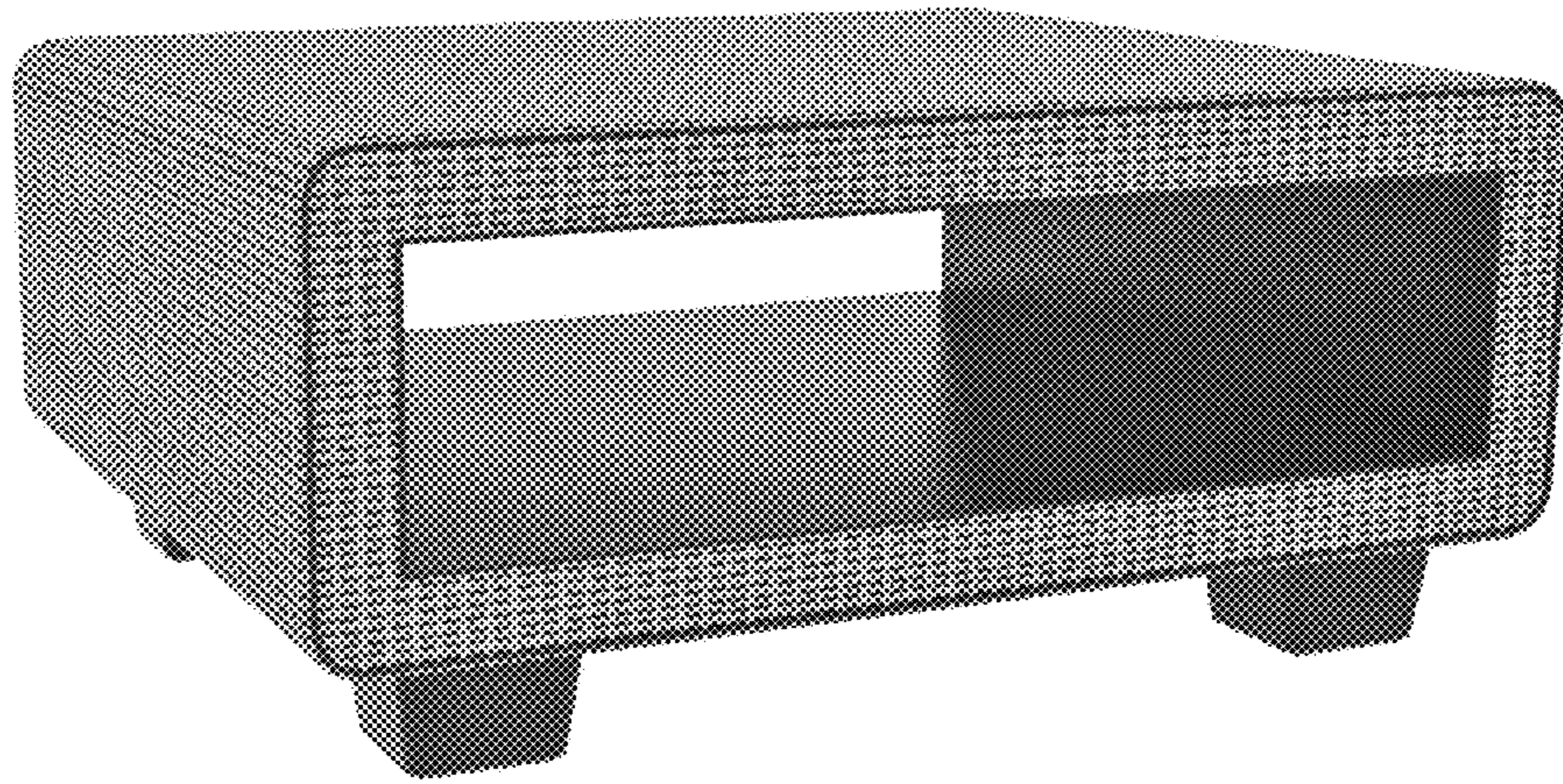


FIG. 1

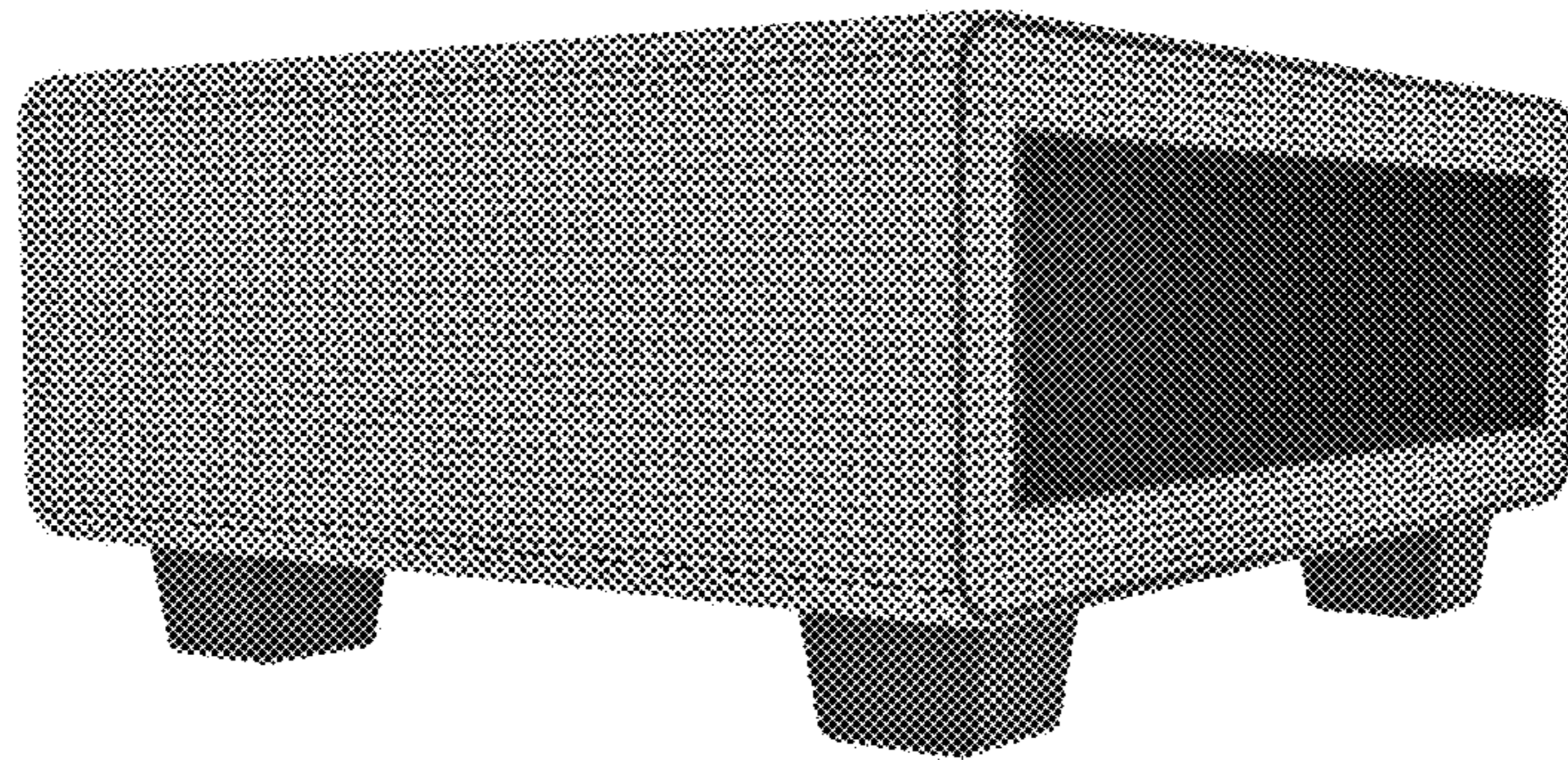


FIG. 2



FIG. 3

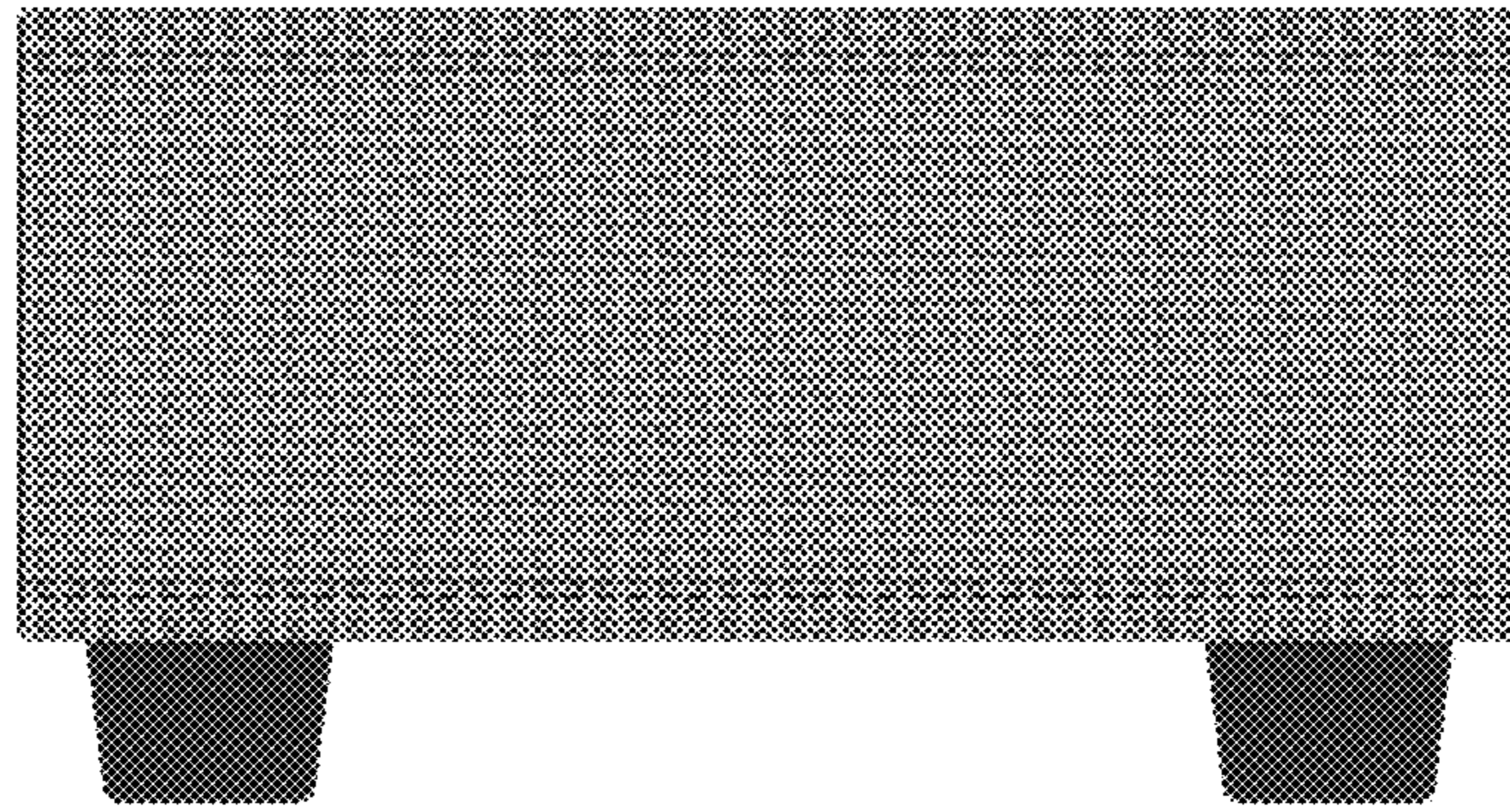


FIG. 4

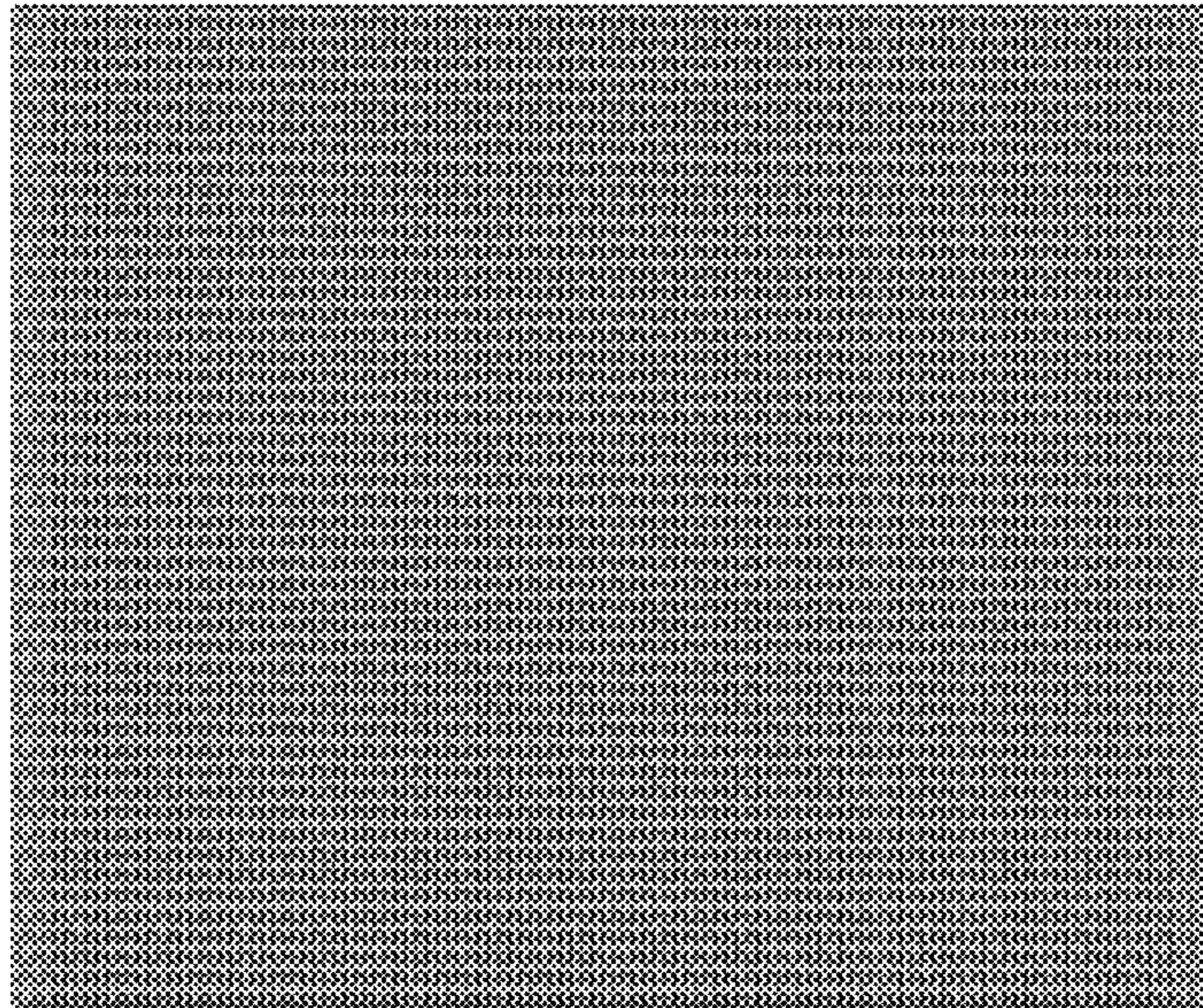


FIG. 5

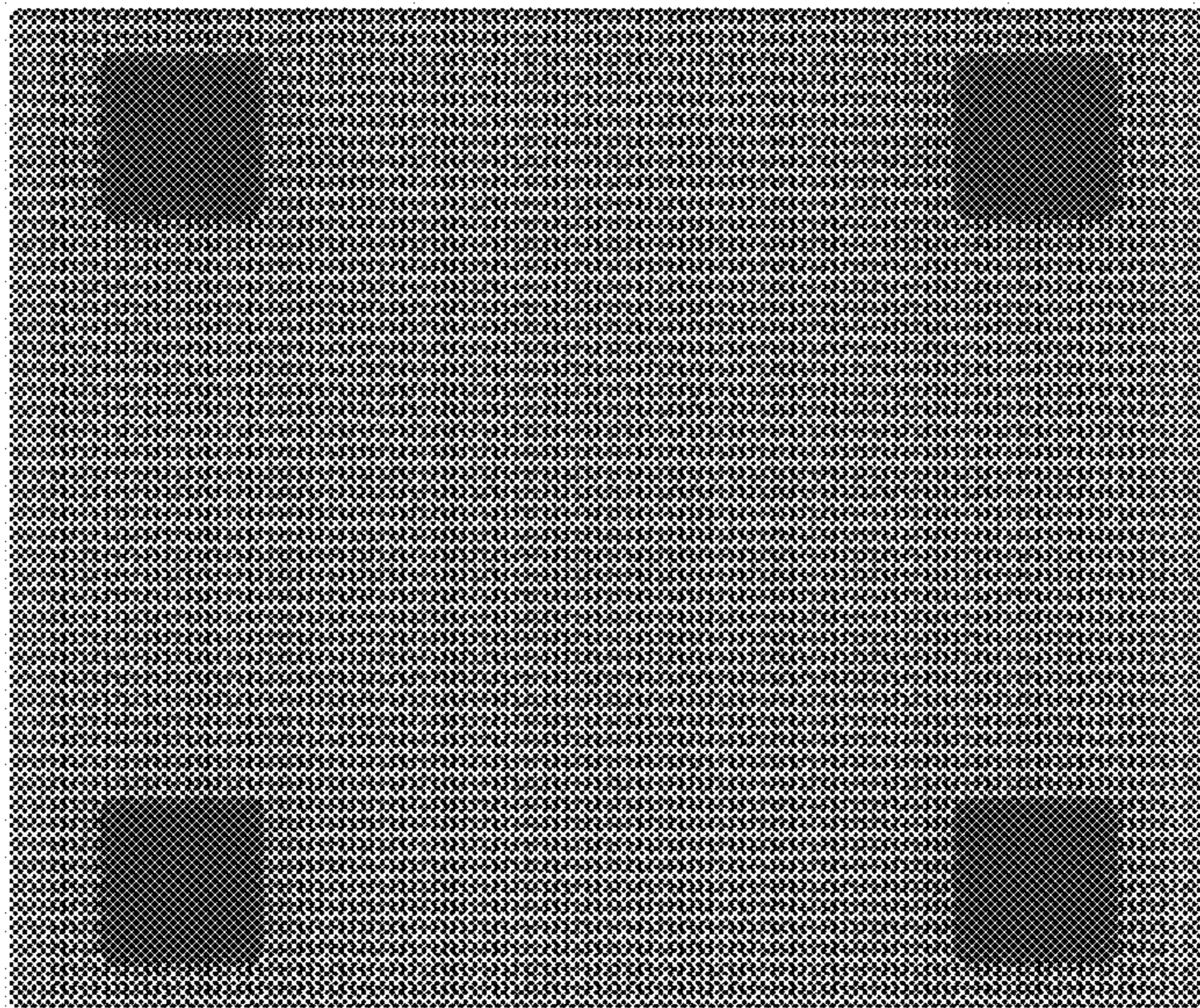


FIG. 6