



US00D840178S

(12) **United States Design Patent**
Herring et al.

(10) **Patent No.:** **US D840,178 S**
(45) **Date of Patent:** **** Feb. 12, 2019**

- (54) **HEIGHT ADJUSTABLE DESK LEGS WITH FRAME**
- (71) Applicant: **Next Technologies, Inc.**, Georgetown, TX (US)
- (72) Inventors: **Jason Brian Herring**, Georgetown, TX (US); **Shane Michael Gilbreath**, Georgetown, TX (US)
- (73) Assignee: **Spindle 360, Inc.**, Georgetown, TX (US)
- (**) Term: **15 Years**
- (21) Appl. No.: **29/550,951**
- (22) Filed: **Jan. 8, 2016**
- (51) **LOC (11) Cl.** **06-03**
- (52) **U.S. Cl.**
USPC **D6/656**
- (58) **Field of Classification Search**
USPC D6/641, 656, 698, 656.17, 656.12, D6/656.13, 656.14, 656.18
CPC F16M 11/26; A47B 13/02; A47B 9/20; A47B 9/06
See application file for complete search history.

(56) **References Cited**

U.S. PATENT DOCUMENTS

D313,911 S *	1/1991	Grout	D6/702
D316,786 S *	5/1991	Grout	D6/708
9,204,715 B2 *	12/2015	Bonuccelli	A47B 9/20
9,232,855 B2 *	1/2016	Ergun	A47B 9/02
D756,693 S *	5/2016	Shah	D6/684
2009/0158971 A1 *	6/2009	Carter	A47B 3/002
				108/16
2011/0023758 A1 *	2/2011	Overgaard	A47B 9/06
				108/147

2012/0000402 A1 *	1/2012	Jimenez Mangas	...	A47B 13/02
				108/159.11
2012/0043436 A1 *	2/2012	Atkinson	A47B 9/20
				248/188.5
2013/0220188 A1 *	8/2013	Wei Siao	A47B 13/02
				108/158.11
2013/0221170 A1 *	8/2013	Catoni	A47B 91/16
				248/188.3
2015/0285430 A1 *	10/2015	Wang	A47B 9/04
				248/188.5
2016/0296004 A1 *	10/2016	Peng	A47B 3/002

* cited by examiner

Primary Examiner — Rosemary K Tarcza

Assistant Examiner — Alison M Ofstun

(74) *Attorney, Agent, or Firm* — Kevin Keener; Keener and Associates P.C.

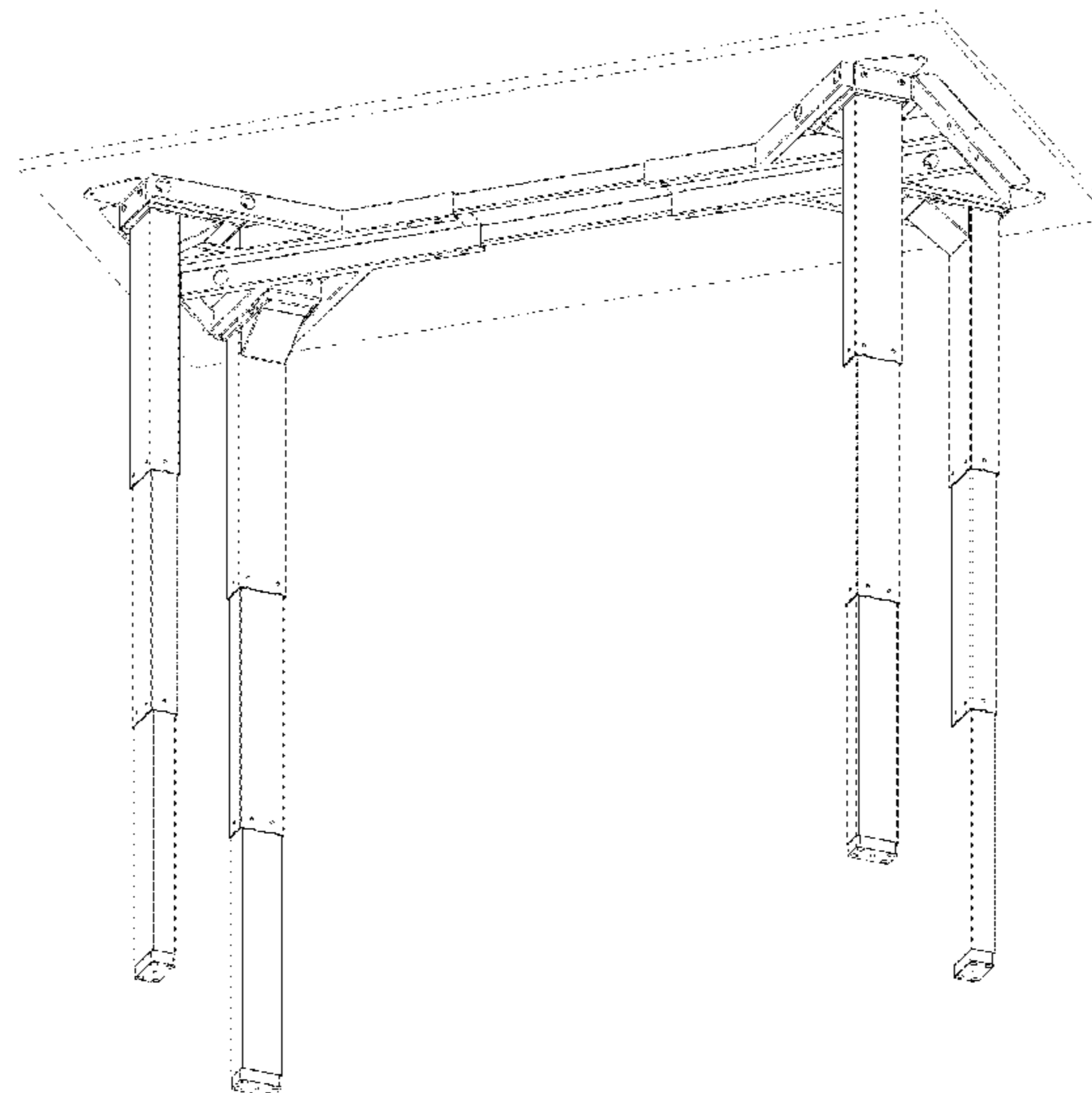
(57) **CLAIM**

The ornamental design for a height adjustable desk legs with frame, as shown and described.

DESCRIPTION

FIG. 1 is a bottom perspective view of the height adjustable desk legs with frame;
 FIG. 2 is a front elevational view, the rear elevational view being a mirror image thereof;
 FIG. 3 is a right side elevational view thereof, the left side elevational view being a mirror image thereof;
 FIG. 4 is a top plan view thereof;
 FIG. 5 is a bottom plan view thereof;
 FIG. 6 is a top perspective view thereof;
 FIG. 7 is another bottom perspective view thereof; and,
 FIG. 8 is a top perspective view with the legs collapsed.
 The broken lines in the figures depict environmental subject matter only and form no part of the claimed design.

1 Claim, 8 Drawing Sheets



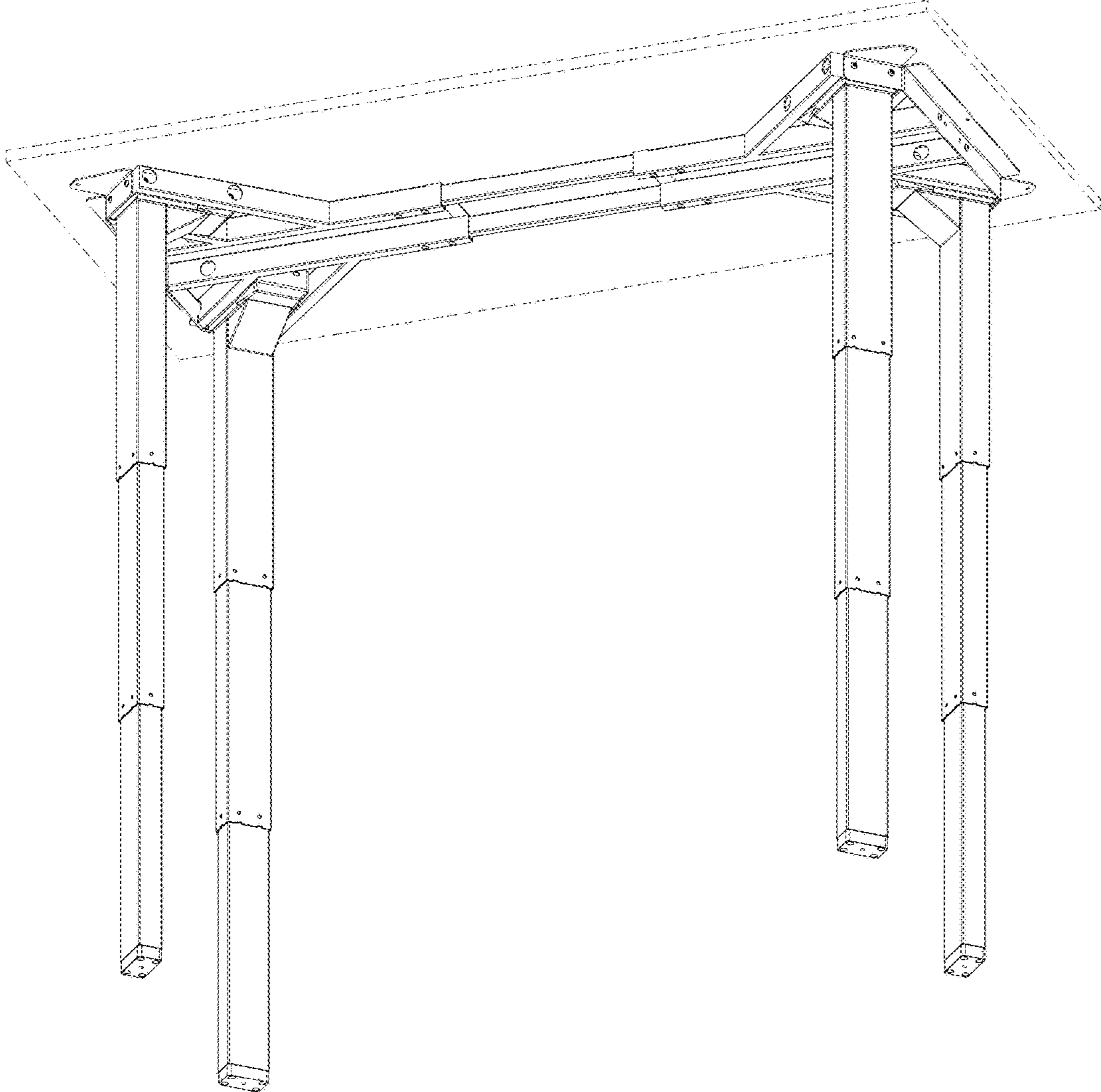


FIG. 1

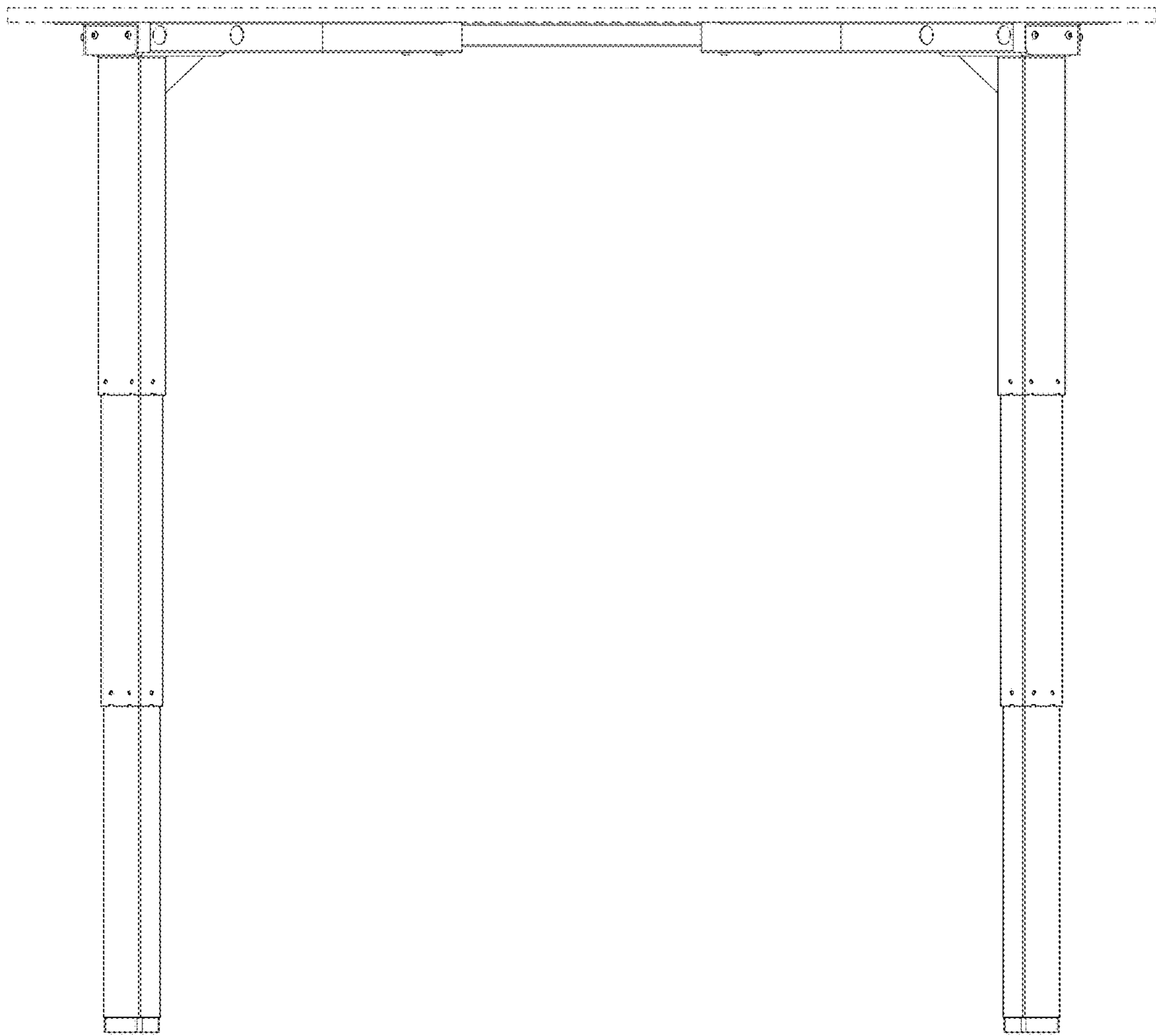


FIG. 2

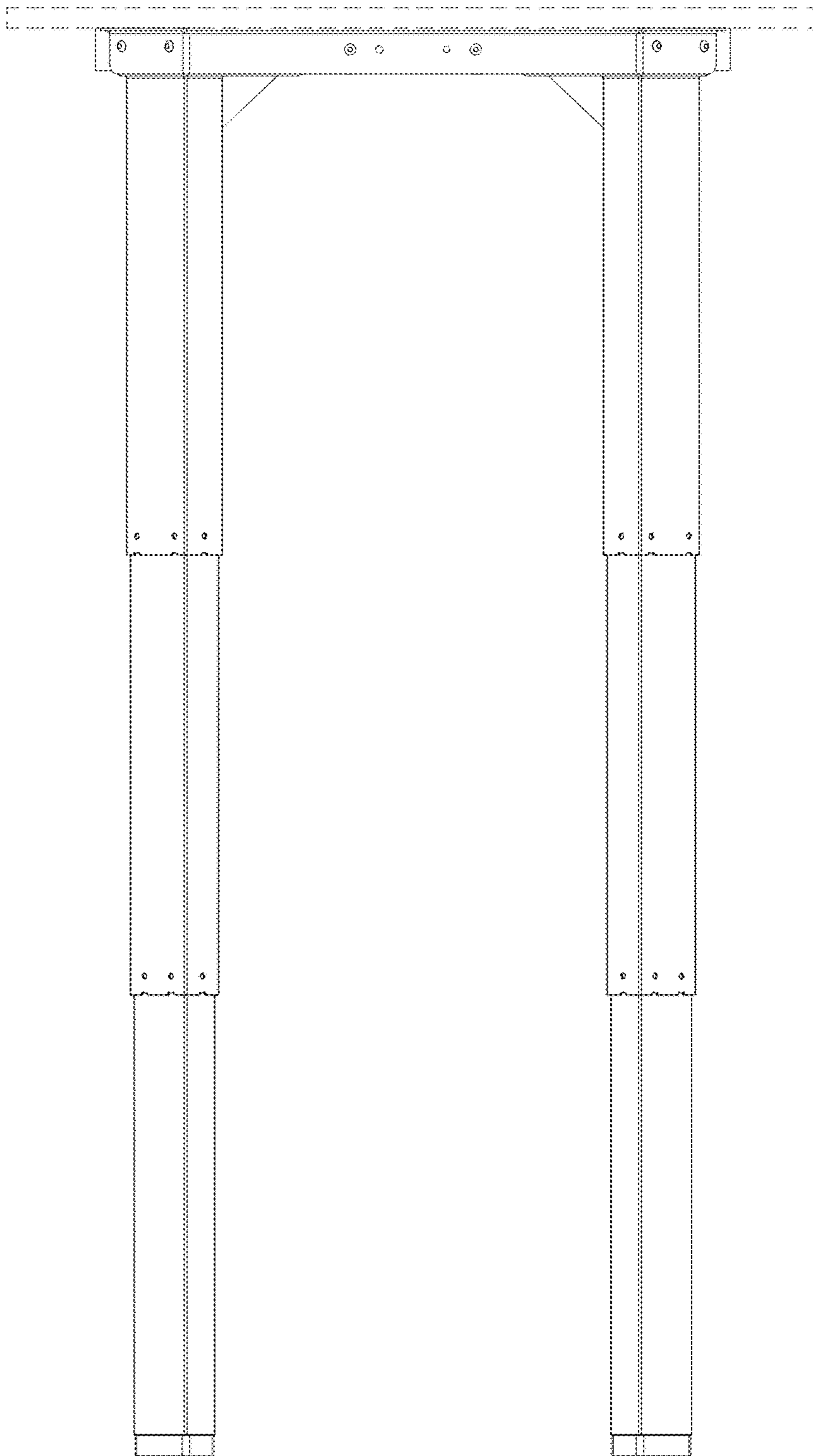


FIG. 3

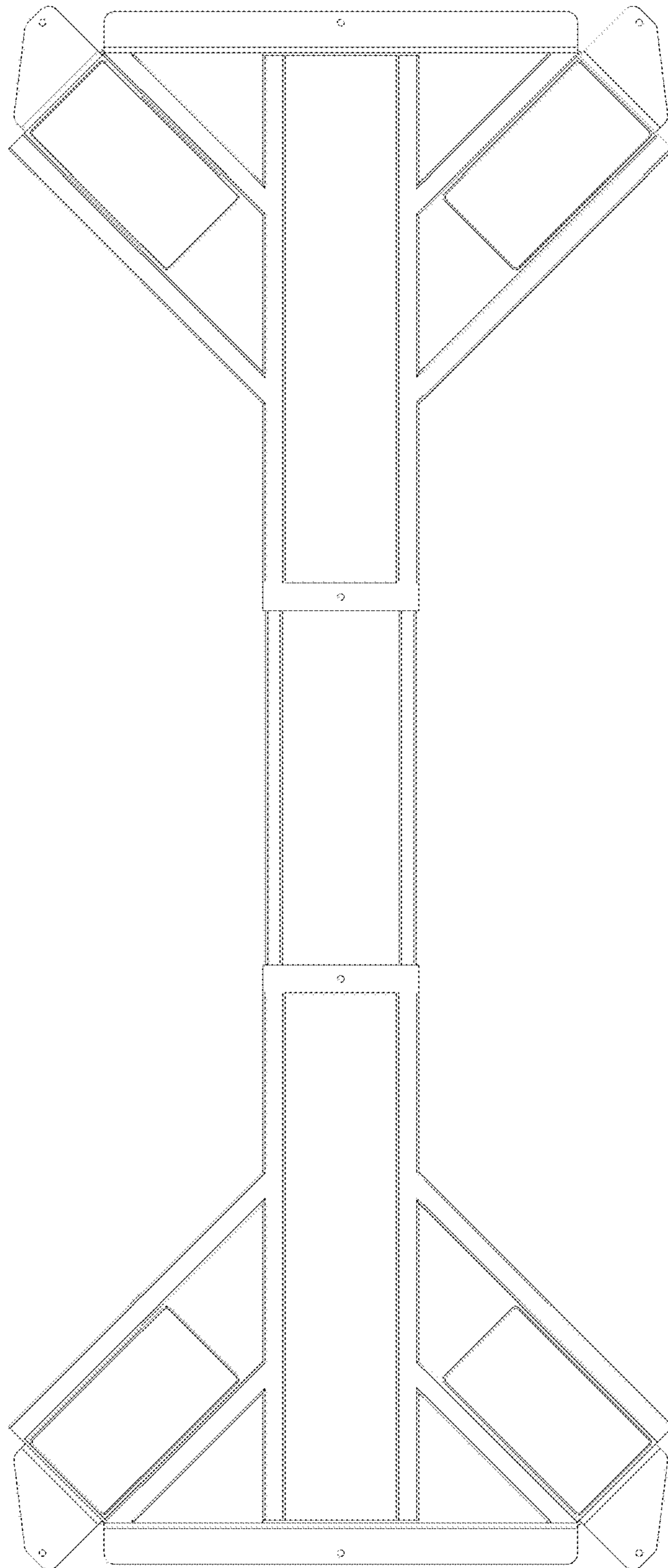


FIG. 4

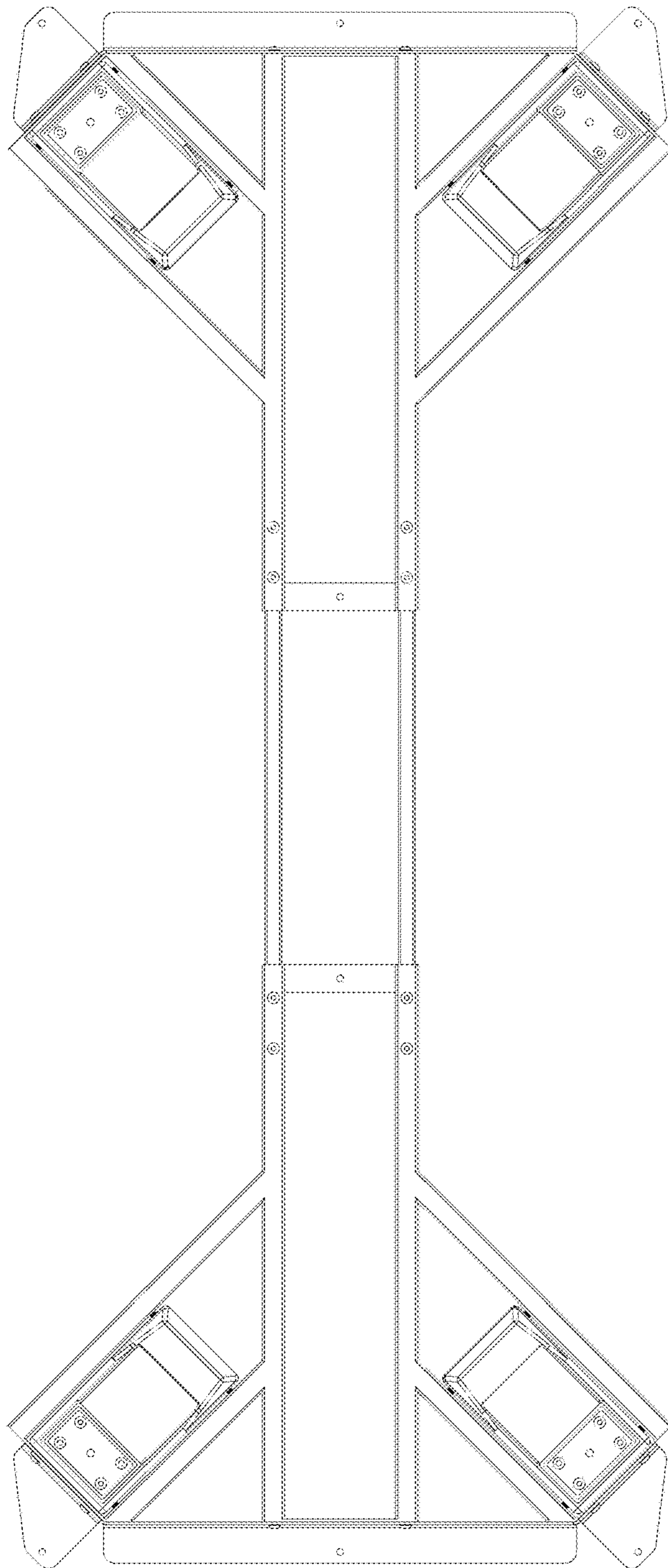


FIG. 5

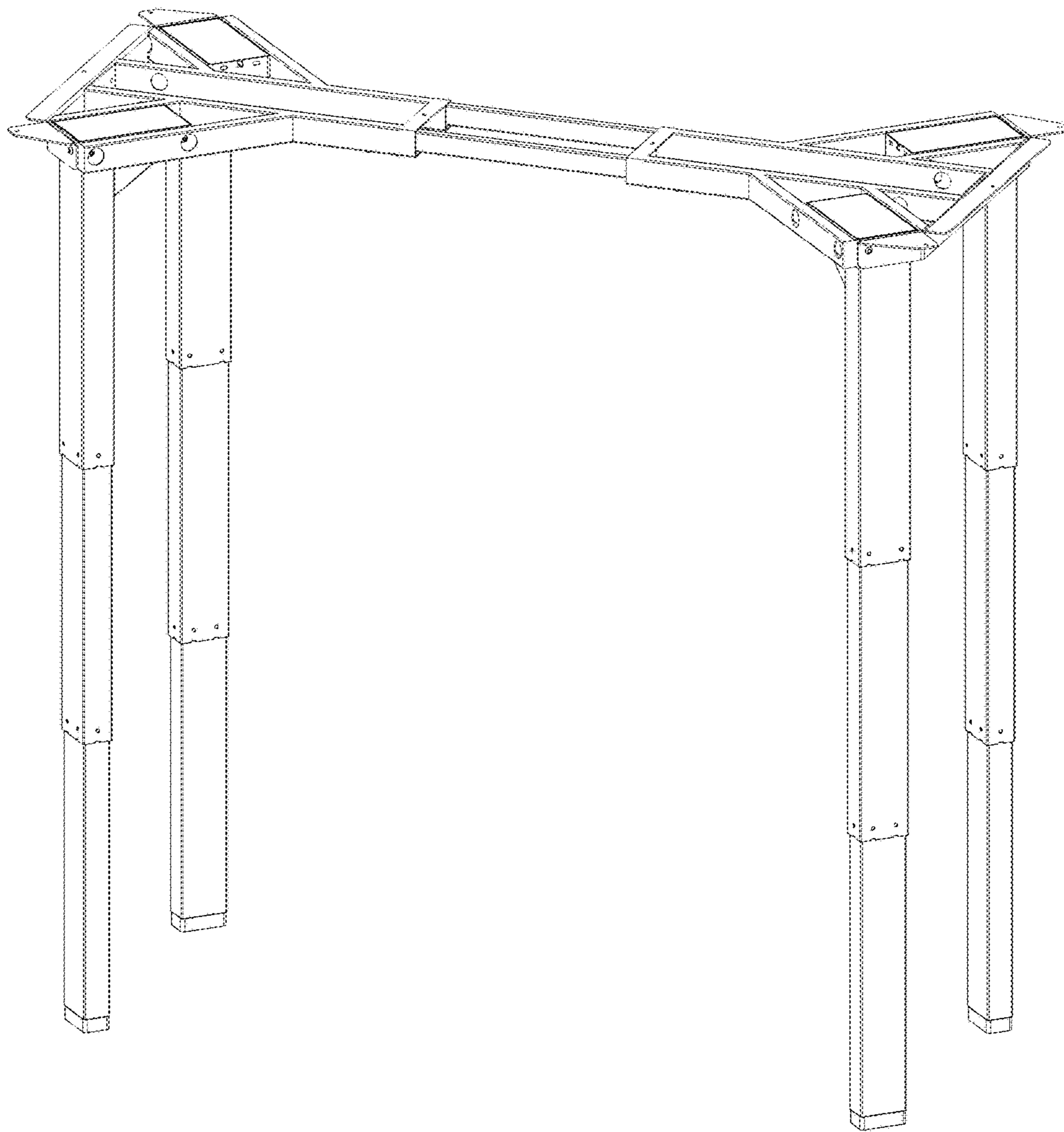


FIG. 6

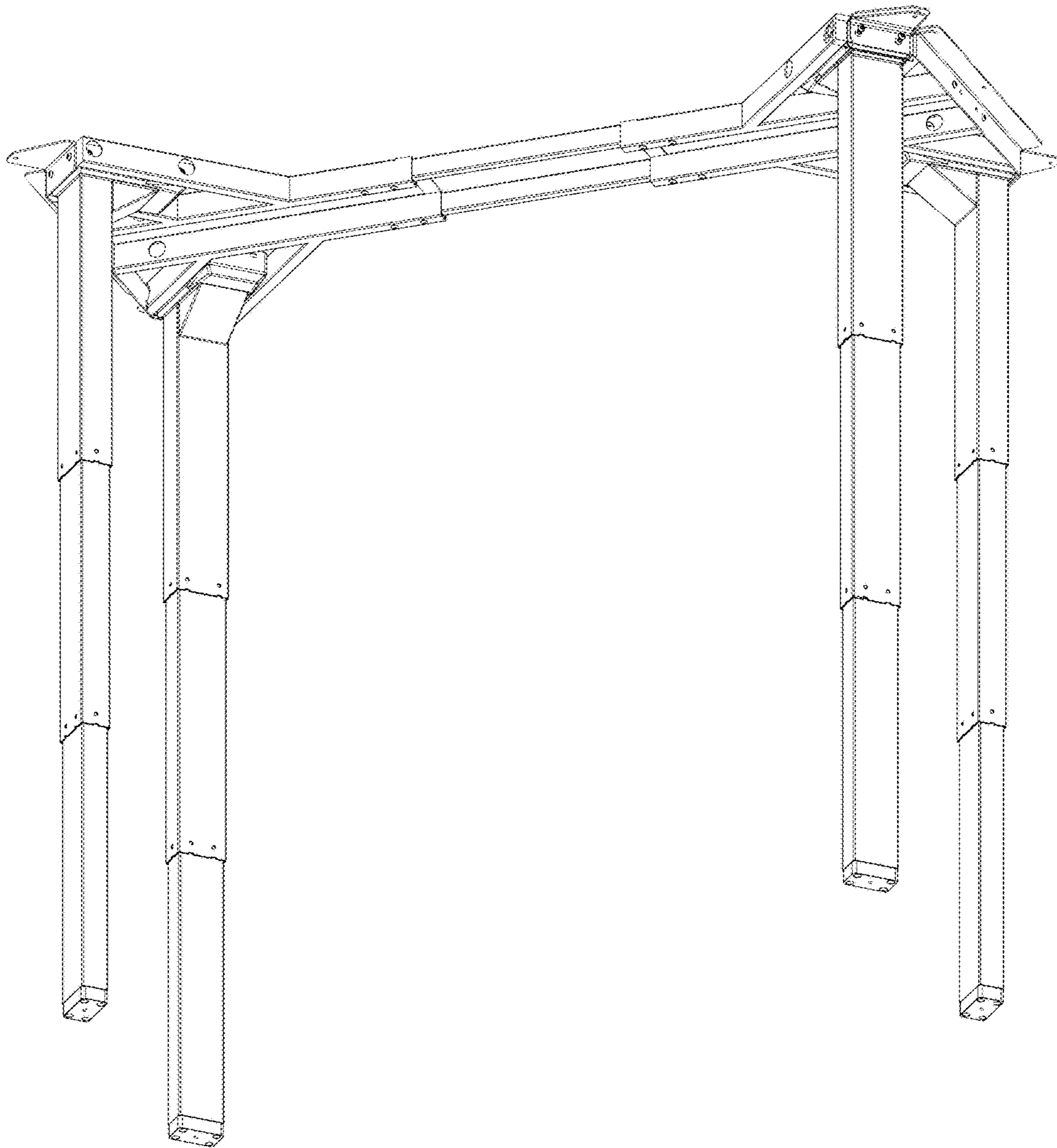


FIG. 7

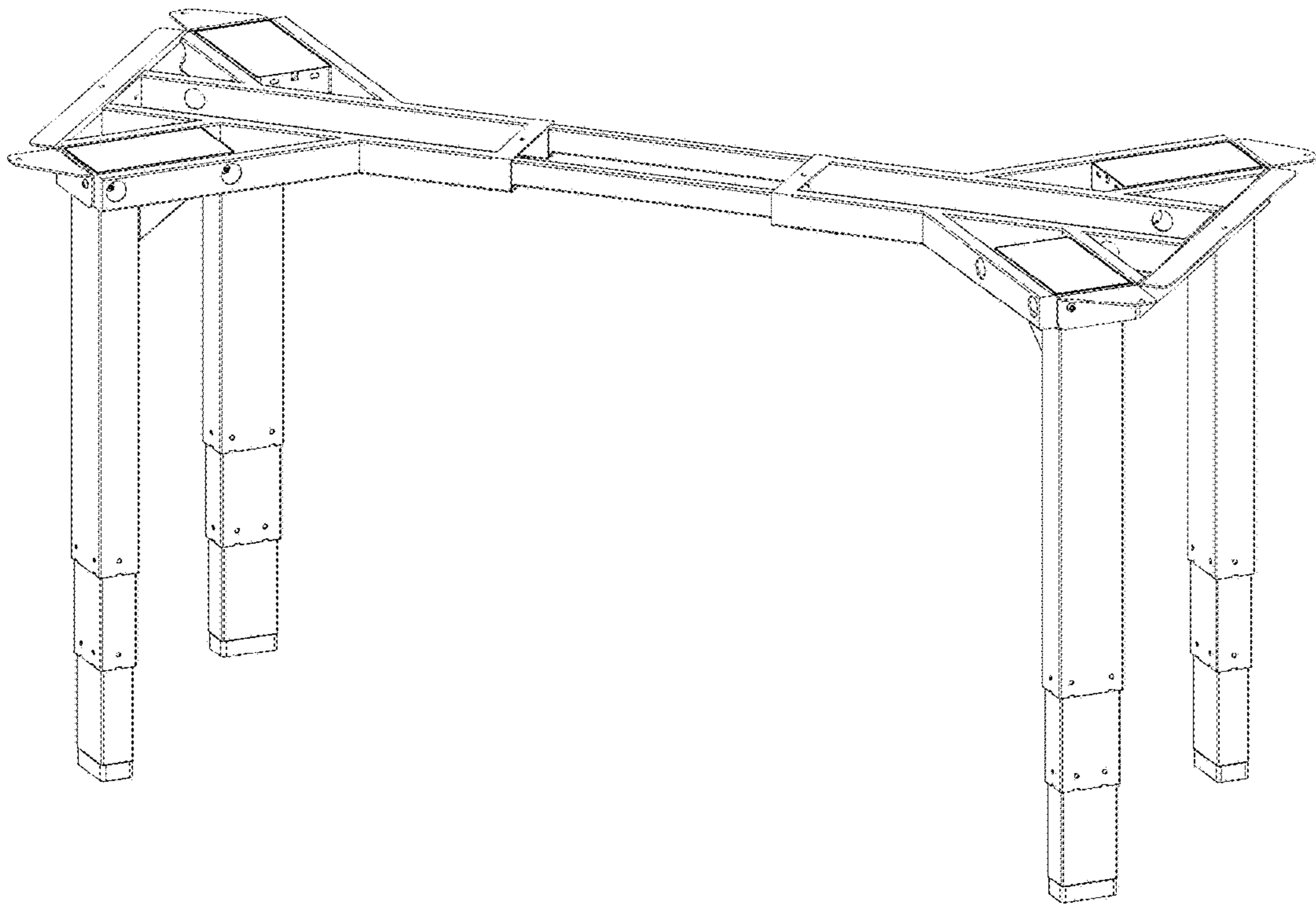


FIG. 8