



US00D840174S

(12) **United States Design Patent**
Kraemer

(10) **Patent No.:** **US D840,174 S**

(45) **Date of Patent:** **** Feb. 12, 2019**

(54) **MAT**

(71) Applicant: **InterDesign, Inc.**, Solon, OH (US)

(72) Inventor: **Kevin Francis Kraemer**, Cuyahoga Falls, OH (US)

(73) Assignee: **InterDesign, Inc.**, Solon, OH (US)

(**) Term: **15 Years**

(21) Appl. No.: **29/532,646**

(22) Filed: **Jul. 9, 2015**

Related U.S. Application Data

(62) Division of application No. 29/480,632, filed on Jan. 28, 2014, now Pat. No. Des. 795,311.

(51) **LOC (11) Cl.** **06-11**

(52) **U.S. Cl.**
USPC **D6/585**; D32/57; D12/203

(58) **Field of Classification Search**

USPC D6/582, 583, 584, 585, 613, 614, 616;
D32/55, 56, 57; D12/203, 608, 400;
D24/200, 212, 213; D21/686; D30/119,
D30/120, 133, 161, 199; D23/261;
D7/554.3, 554.4, 586, 587, 311, 324, 359,
D7/362, 363, 367, 642, 368, 398, 692,
D7/698, 387, 388, 396.1, 396.6, 401.2,
D7/402, 403, 406, 408, 409, 410, 411,
D7/412, 624.1, 392.1, 407
CPC .. A47G 23/03; A47G 23/0313; A47G 23/032;
A47G 27/02; A47G 27/0206; A47G
27/0212; A47G 27/0225; A47L 23/24;
A47L 23/266; A47L 23/26; A47L 19/02;
B29L 2031/7324; B60N 3/044; A47J
37/01; A47J 37/067; A47J 37/0694; A47J
47/005; A47J 47/20; A47K 3/002; A01K
1/0107; A01K 1/0157; A01K 1/0135;
E03C 1/186

See application file for complete search history.

(56) **References Cited**

U.S. PATENT DOCUMENTS

D71,092 S * 9/1926 Wentorf D7/388
2,507,877 A * 5/1950 Babcock A47J 47/20
4/658
D164,219 S * 8/1951 Caldwell D32/57
D191,901 S * 12/1961 Breneman D6/585
D194,347 S * 1/1963 Gerber D12/203
3,418,668 A * 12/1968 Anderson A47K 3/002
4/583
3,722,086 A * 3/1973 Wikkerink H01H 3/141
200/86 R
D232,533 S * 8/1974 Wells D12/203
4,894,875 A * 1/1990 Oxley E03C 1/186
4/581

(Continued)

FOREIGN PATENT DOCUMENTS

DE 202014100509 U1 * 5/2014 F24C 15/16

Primary Examiner — Catherine A Tuttle

(74) *Attorney, Agent, or Firm* — Calfee, Halter & Griswold, LLP

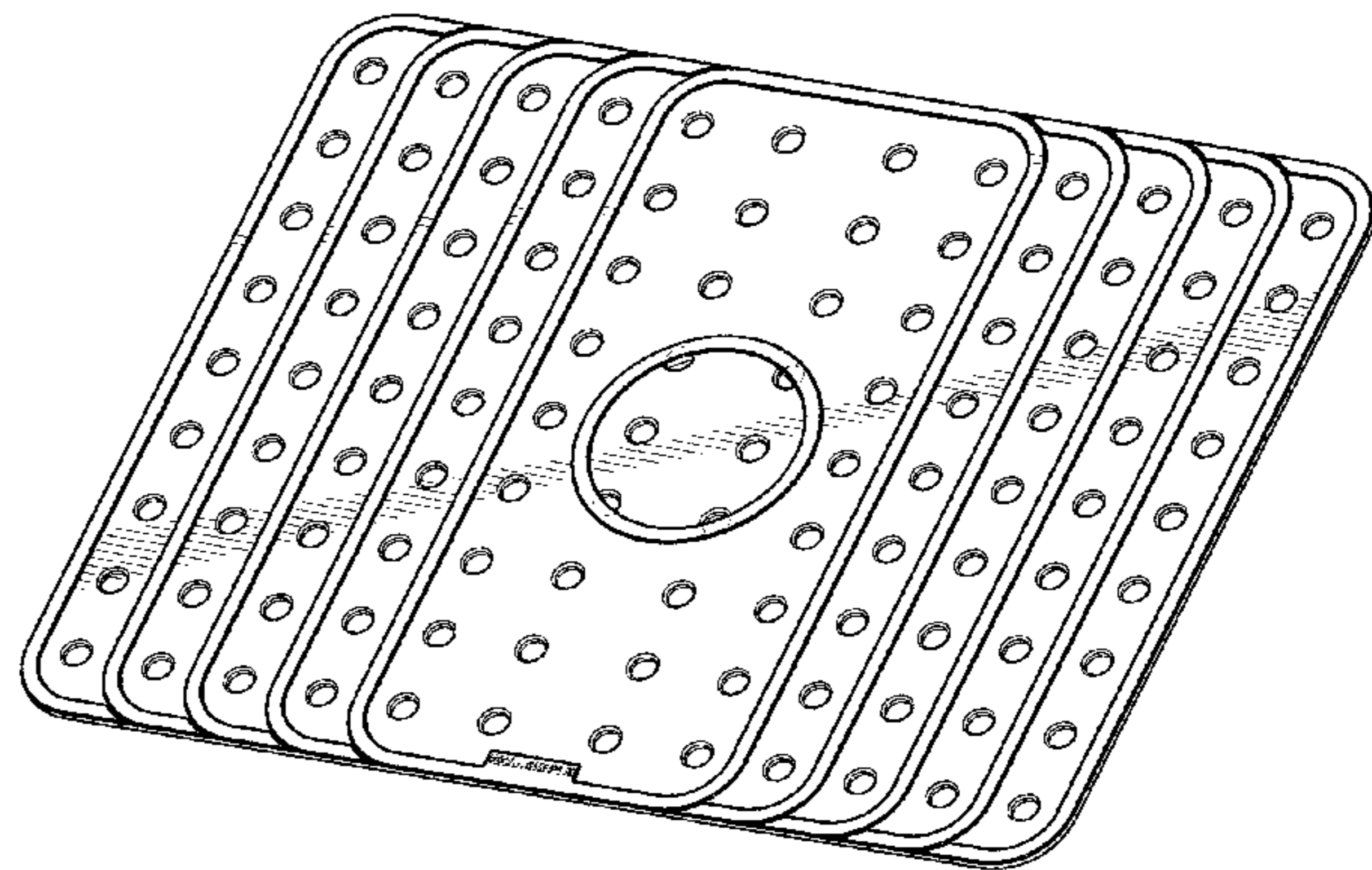
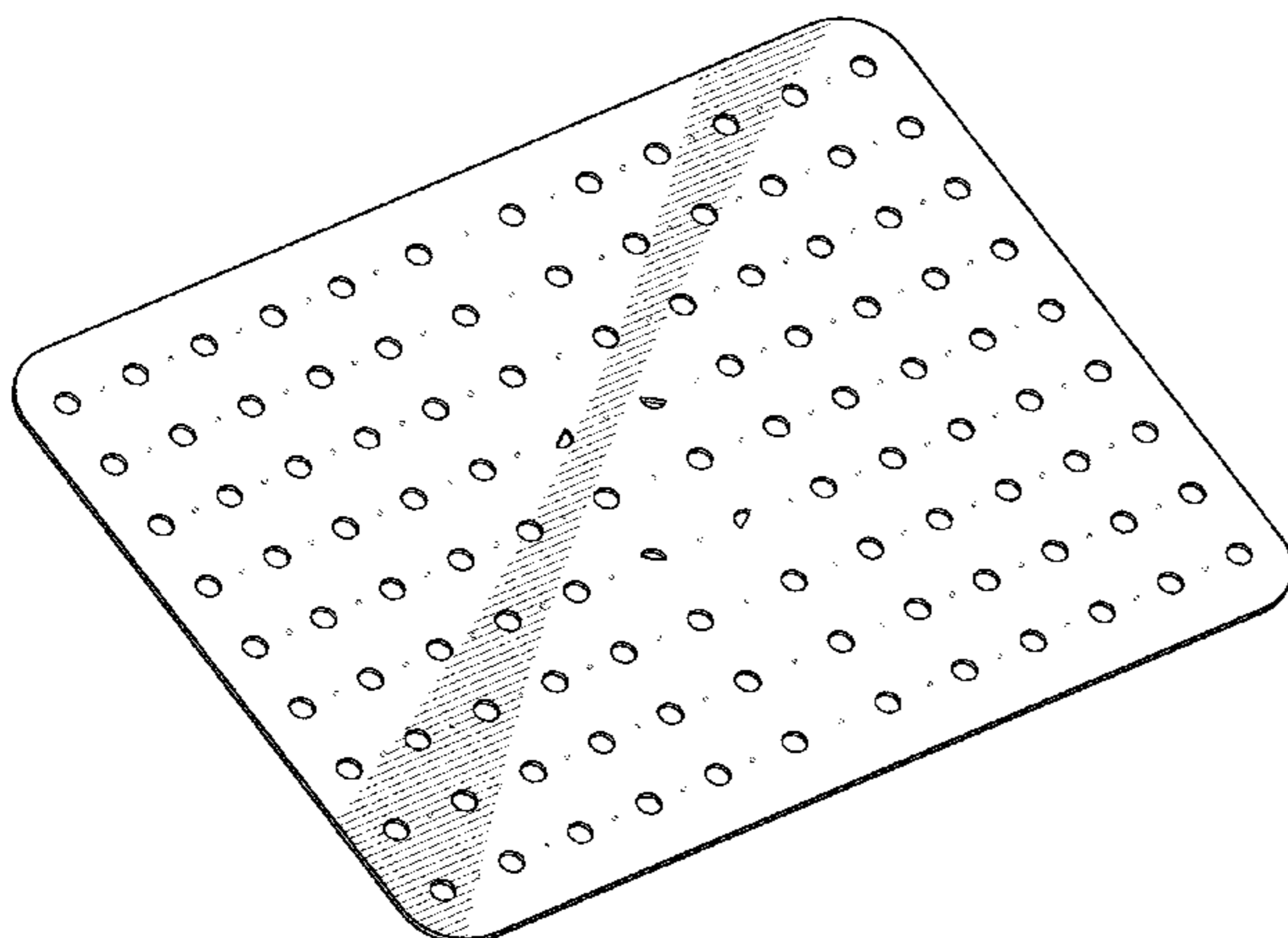
(57) **CLAIM**

I claim the ornamental design for a mat, as shown and described.

DESCRIPTION

FIG. 1 is a front/left/top perspective view of a mat;
FIG. 2 is a rear/right/bottom perspective view thereof;
FIG. 3 is a front elevational view thereof (the opposing rear view being a mirror image thereof);
FIG. 4 is a right side elevational view thereof (a left side elevational view would be a mirror image thereof);
FIG. 5 is a top plan view thereof; and,
FIG. 6 is a bottom plan view thereof.
The broken lines representing the trademark and the array of small surface projections form no part of the claimed design.

1 Claim, 4 Drawing Sheets



(56)

References Cited

U.S. PATENT DOCUMENTS

D348,809	S *	7/1994	Ladwig	D7/698
D403,911	S *	1/1999	Wang	D6/582
D436,566	S *	1/2001	Iacovelli	D12/203
D517,759	S *	3/2006	Dretzka	D32/57
D549,531	S *	8/2007	Kishbaugh	D7/698
8,690,133	B1 *	4/2014	Hauser	A47J 47/005 269/13
D743,185	S *	11/2015	Elliott	D6/582
D751,784	S *	3/2016	Robbins, III	D32/55
2004/0121111	A1 *	6/2004	Hurwitz	A47G 27/02 428/76
2005/0037177	A1 *	2/2005	Streeton	A47G 27/0225 428/156
2006/0064814	A1 *	3/2006	Bushman	A47K 3/002 4/583

* cited by examiner

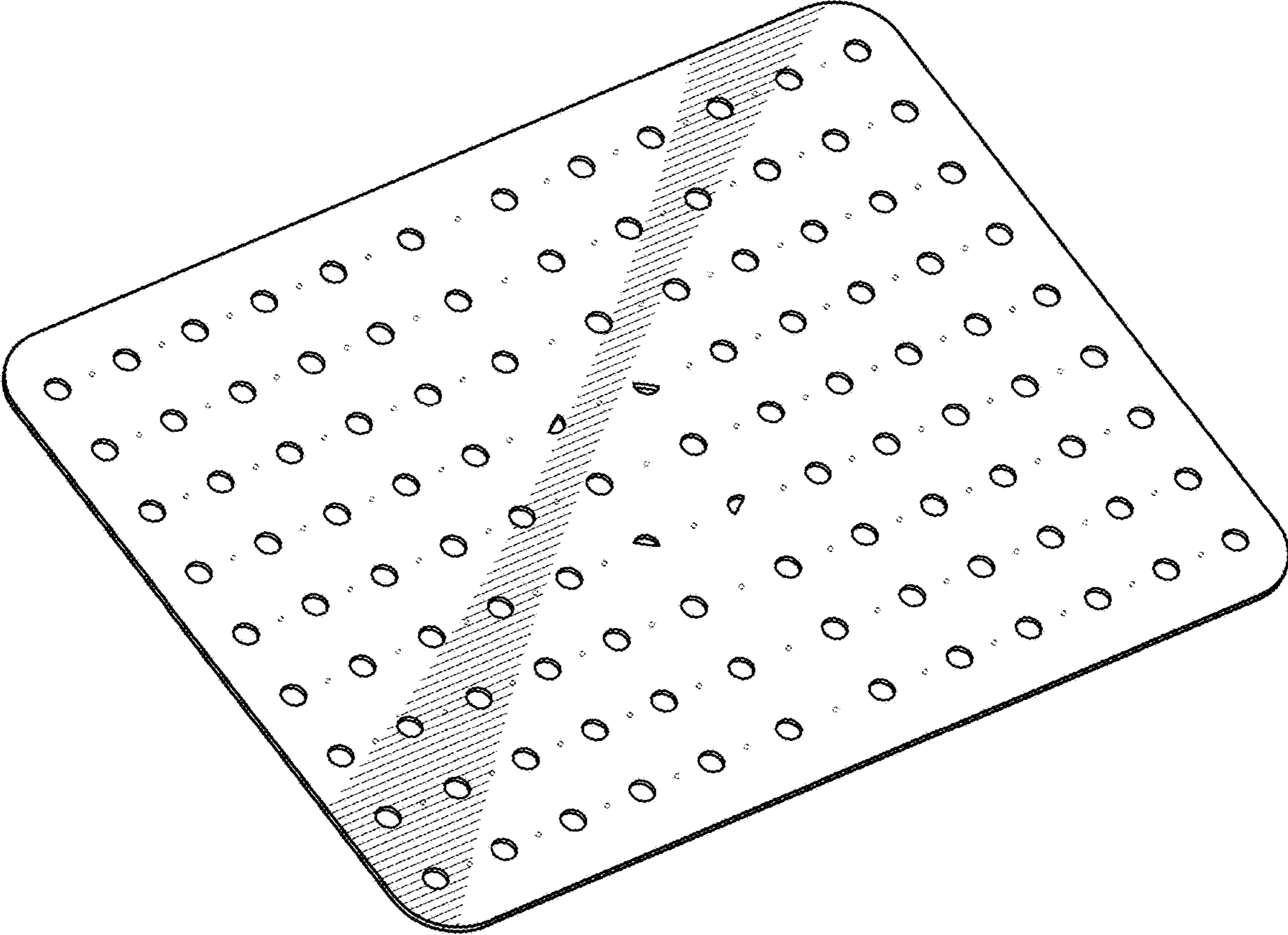


FIG. 1

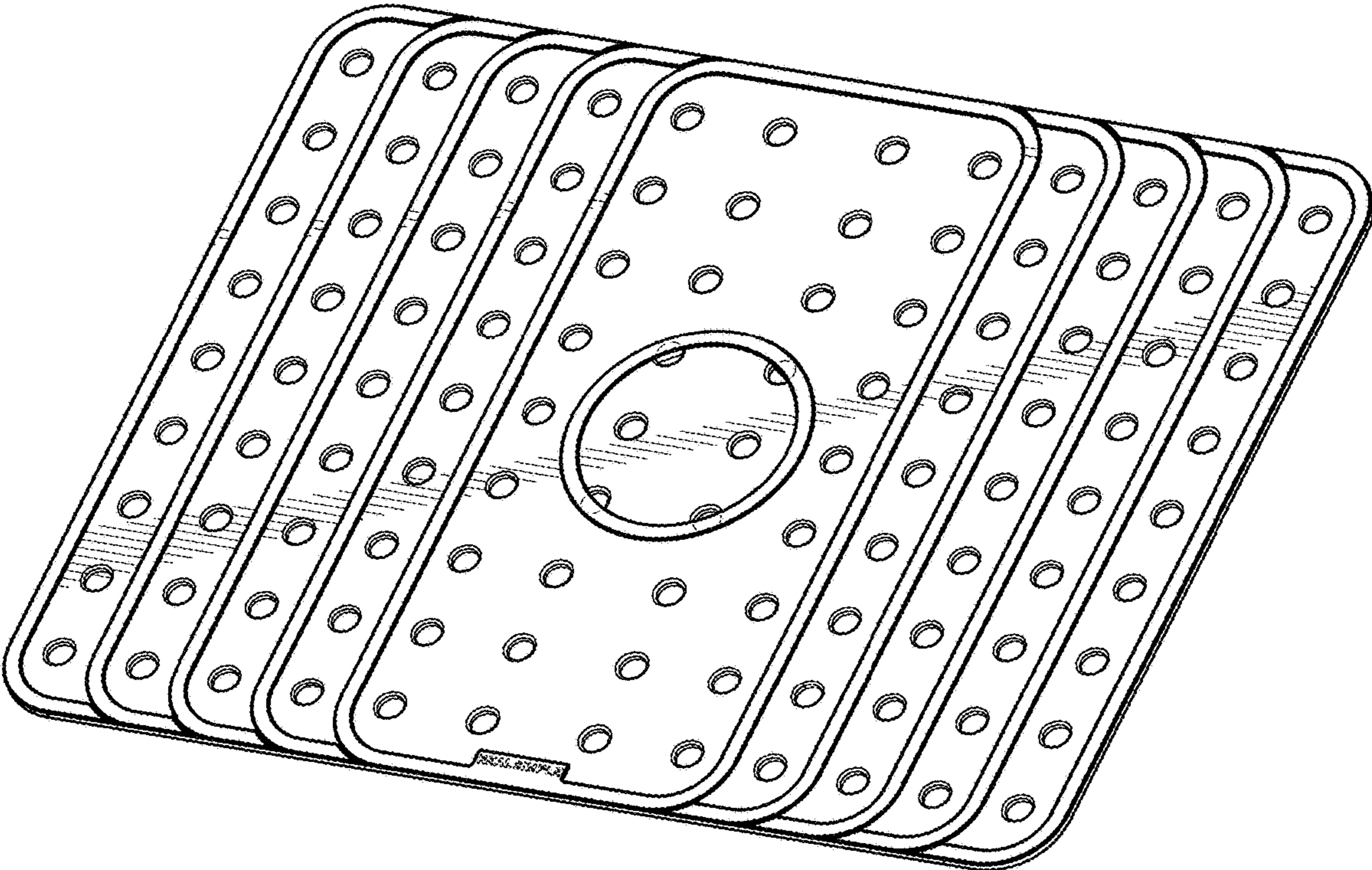


FIG. 2

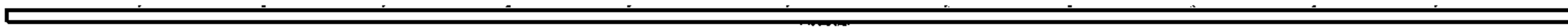


FIG. 3

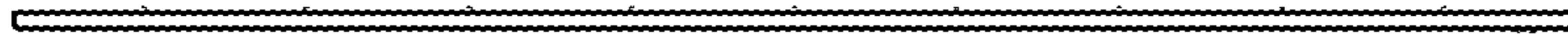


FIG. 4

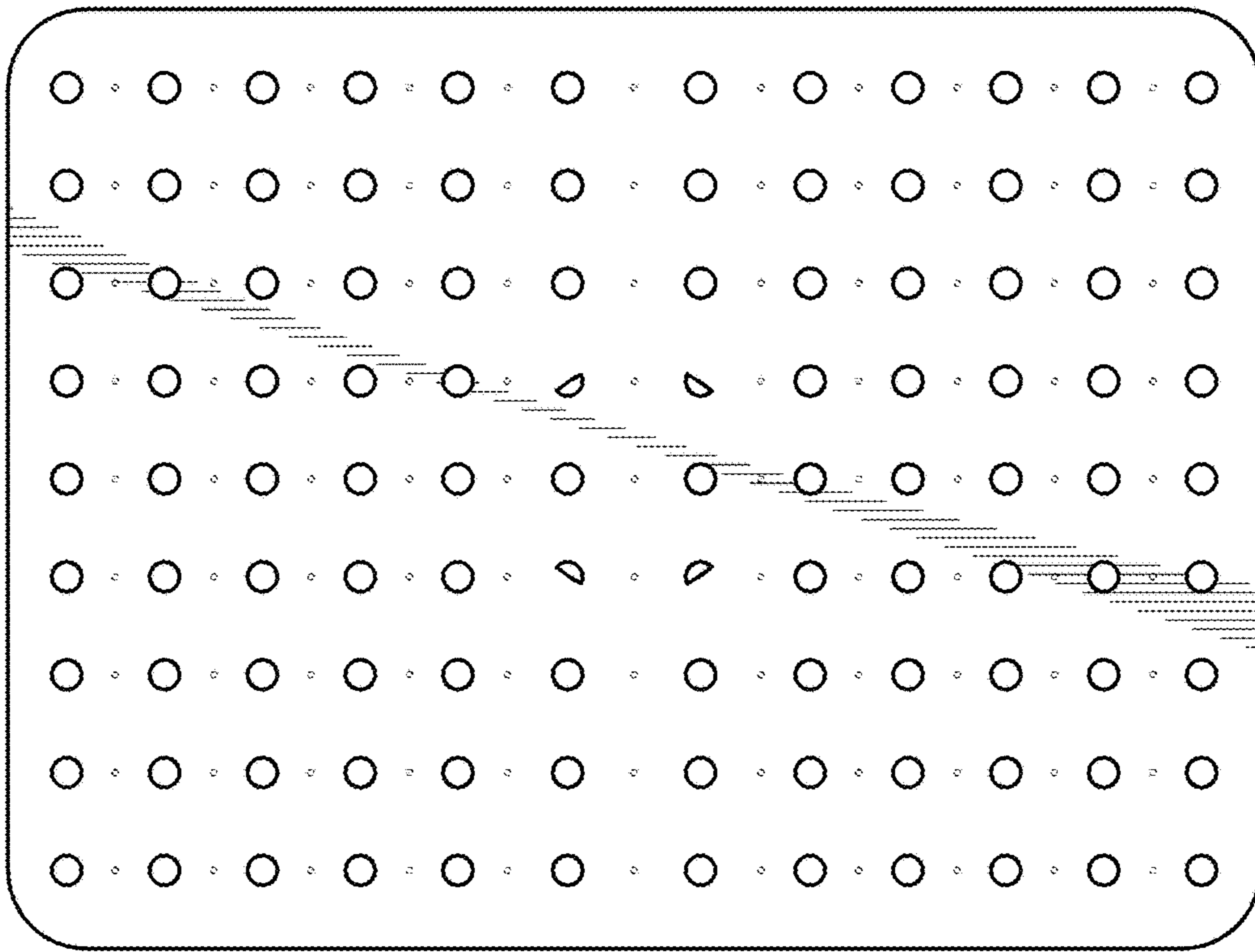


FIG. 5

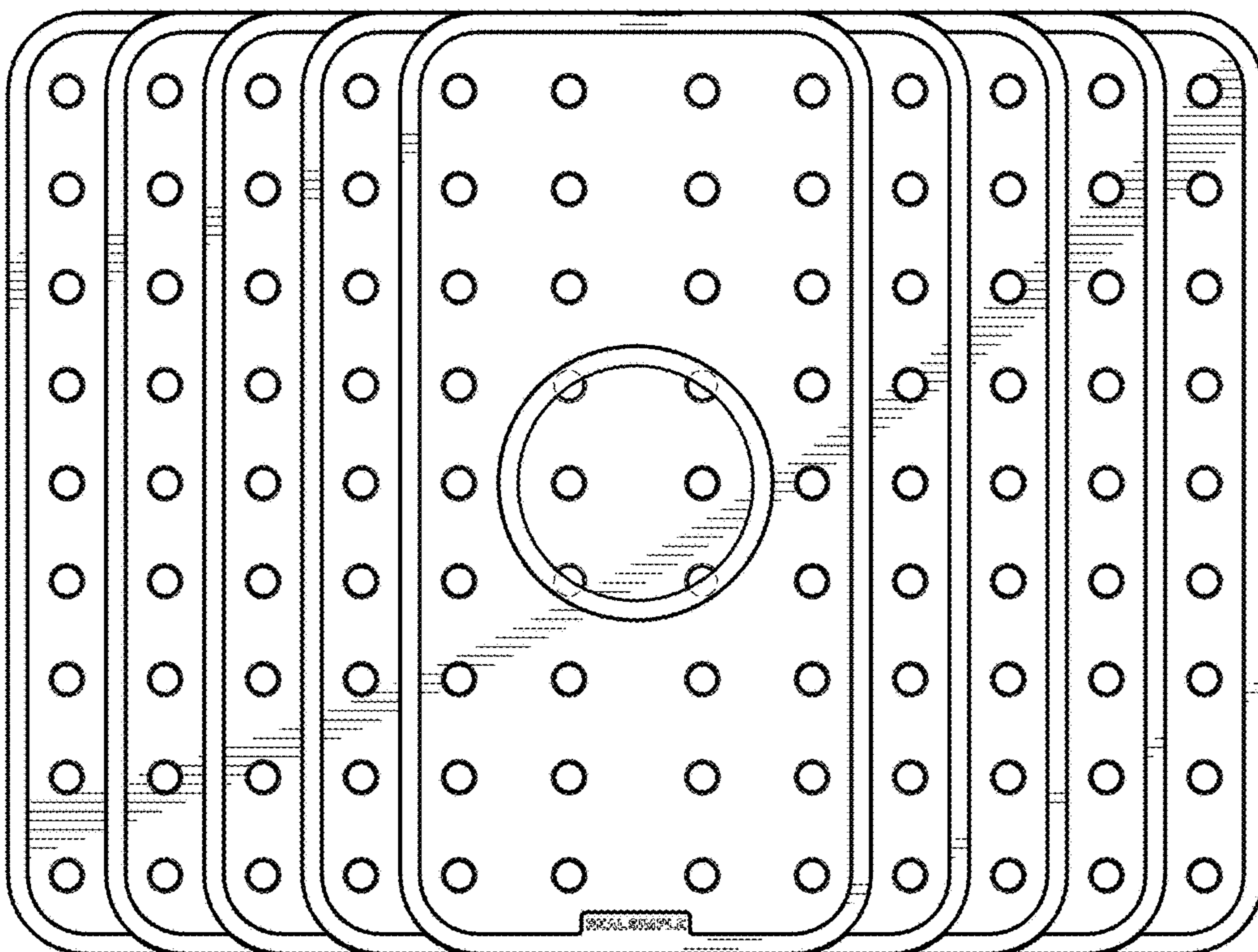


FIG. 6