



US00D840173S

(12) **United States Design Patent** (10) **Patent No.:** **US D840,173 S**  
**Goodman et al.** (45) **Date of Patent:** **\*\* Feb. 12, 2019**

(54) **RACK FOR SURFACE MOUNTING**  
(71) Applicant: **Spectrum Diversified Designs, LLC**,  
Streetsboro, OH (US)  
(72) Inventors: **Aaron Goodman**, Beachwood, OH  
(US); **Courtney Wilson**, Chardon, OH  
(US)  
(73) Assignee: **SPECTRUM DIVERSIFIED  
DESIGNS, LLC**, Streetsboro, OH (US)  
(\*\*) Term: **15 Years**  
(21) Appl. No.: **29/589,913**  
(22) Filed: **Jan. 5, 2017**  
(51) **LOC (11) Cl.** ..... **06-04**  
(52) **U.S. Cl.**  
USPC ..... **D6/566**  
(58) **Field of Classification Search**  
USPC ..... D6/566, 315-328, 513, 552, 553, 567;  
D8/367, 370, 372, 373; 211/1, 10, 13.1,  
211/30, 32, 85.3, 85.7, 87.01, 113, 106,  
211/106.01, 181.1, 119; 223/85-98;  
248/301-304, 205.5, 206.2, 214, 215,  
248/218.1, 231.81, 309, 339, 322, 399,  
248/497  
CPC ..... A47G 25/32; A47G 25/28; A47G 25/10;  
A47G 25/743; A47G 25/746; A47G  
25/36; A47G 25/0664; A47G 29/08;  
A47G 33/1246; A47G 29/00; A47F  
5/0006; A47F 7/06; A47F 5/0018; A47F  
5/08; A47F 7/19; A47F 7/0028; A47F  
5/0823; A47F 5/0815; A47F 5/0876;  
A47F 5/101  
See application file for complete search history.

(56) **References Cited**  
U.S. PATENT DOCUMENTS  
305,861 A \* 9/1884 Taylor ..... A47G 25/0607  
248/303  
D406,485 S \* 3/1999 Paikos ..... D6/566

D483,655 S \* 12/2003 Dretzka ..... D8/367  
D751,370 S \* 3/2016 McClees ..... D12/416  
D751,373 S \* 3/2016 Goodman ..... D8/372  
D777,471 S \* 1/2017 Knight ..... D6/567  
D797,470 S \* 9/2017 Knight ..... D6/553  
(Continued)

**OTHER PUBLICATIONS**

shopterrain.com, Reclaimed Wooden Rack Oct. 18, 2014, Terrain,  
URL:https://www.shopterrain.com/utility-storage/reclaimed-wooden-  
rack, 1 page, retrived on May 29, 2018 (Year: 2014).\*  
(Continued)

*Primary Examiner* — Wan Laymon  
*Assistant Examiner* — Mark Booker  
(74) *Attorney, Agent, or Firm* — Tucker Ellis LLP

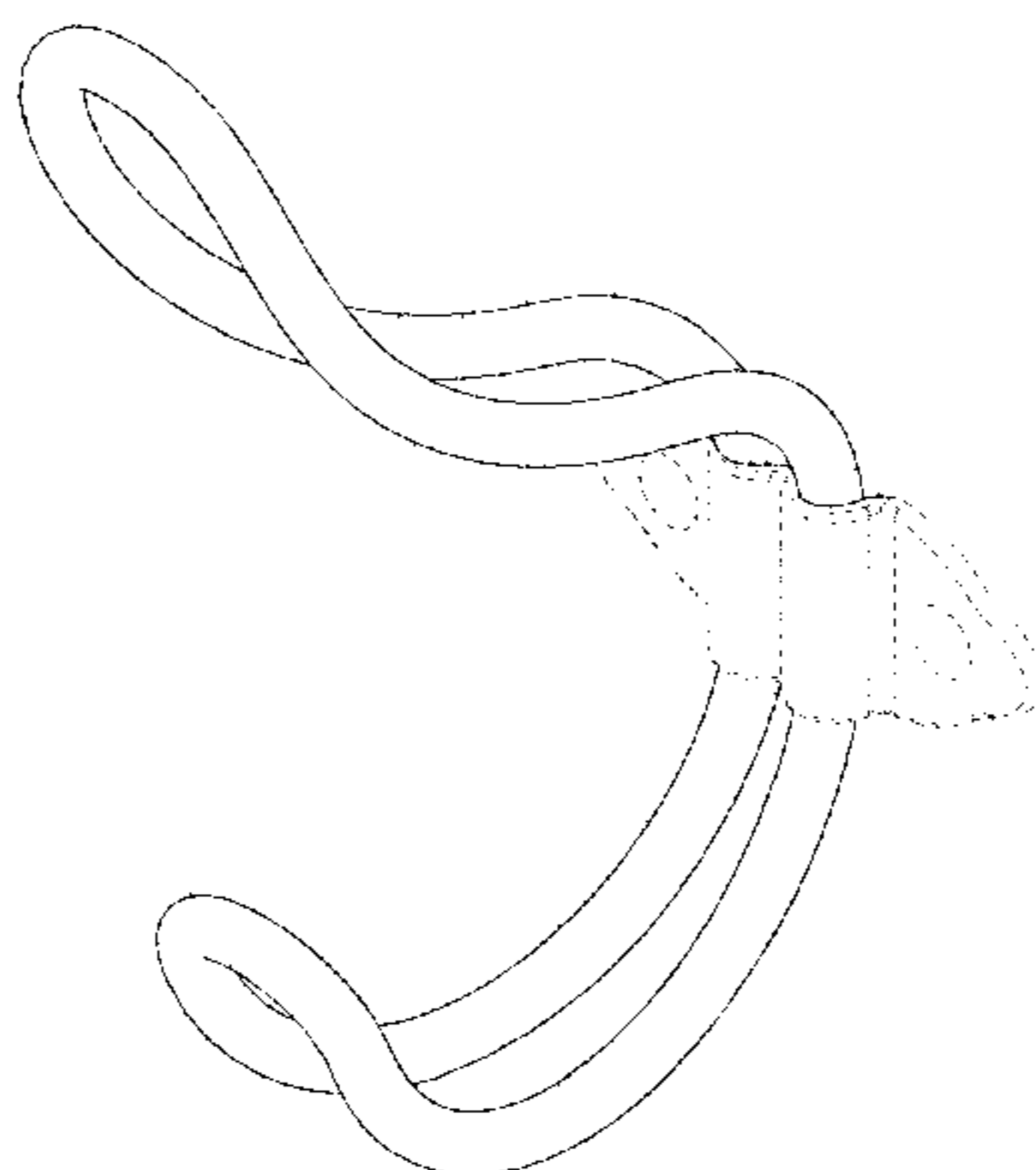
(57) **CLAIM**

The ornamental design for a rack for surface mounting, as  
shown and described.

**DESCRIPTION**

FIG. 1 is a perspective view of a rack showing our new  
design.  
FIG. 2 is a front view thereof.  
FIG. 3 is a rear view thereof.  
FIG. 4 is a left side view thereof.  
FIG. 5 is a right side view thereof.  
FIG. 6 is a top view thereof.  
FIG. 7 is a bottom view thereof.  
FIG. 8 is a perspective view of a plurality of racks of FIG.  
1.  
FIG. 9 is another perspective view of a plurality racks of  
FIG. 1; and,  
FIG. 10 is still another perspective view of a plurality racks  
of FIG. 1.  
The broken lines shown in the figures represent portions of  
the rack for surface mounting that form no part of the  
claimed design.

**1 Claim, 8 Drawing Sheets**



(56)

**References Cited**

U.S. PATENT DOCUMENTS

D797,471 S \* 9/2017 Knight ..... D6/567  
D804,220 S \* 12/2017 Knight ..... D6/567

OTHER PUBLICATIONS

Ikea Rack, published at least as early as Dec. 13, 2016.

\* cited by examiner

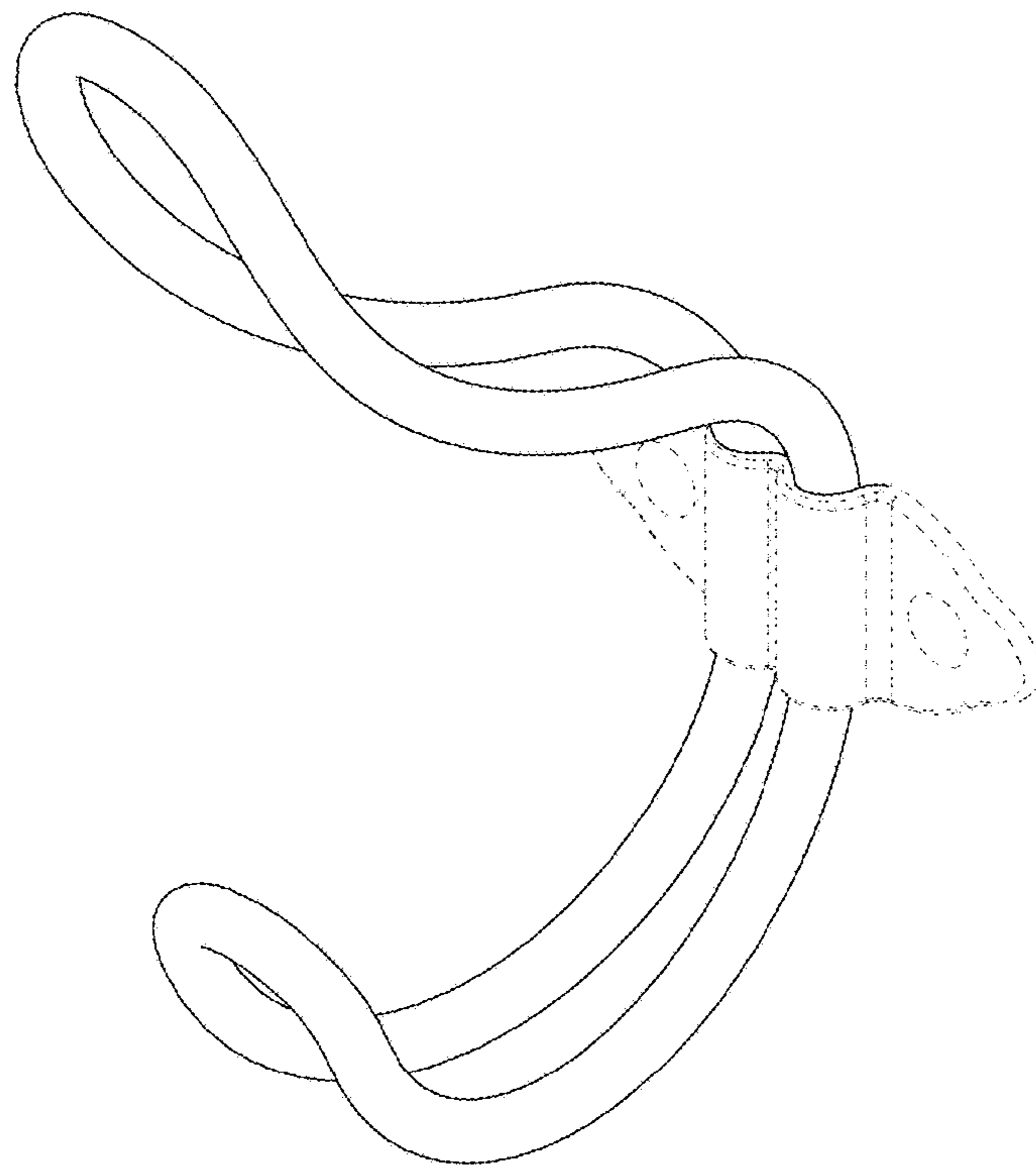


FIG. 1

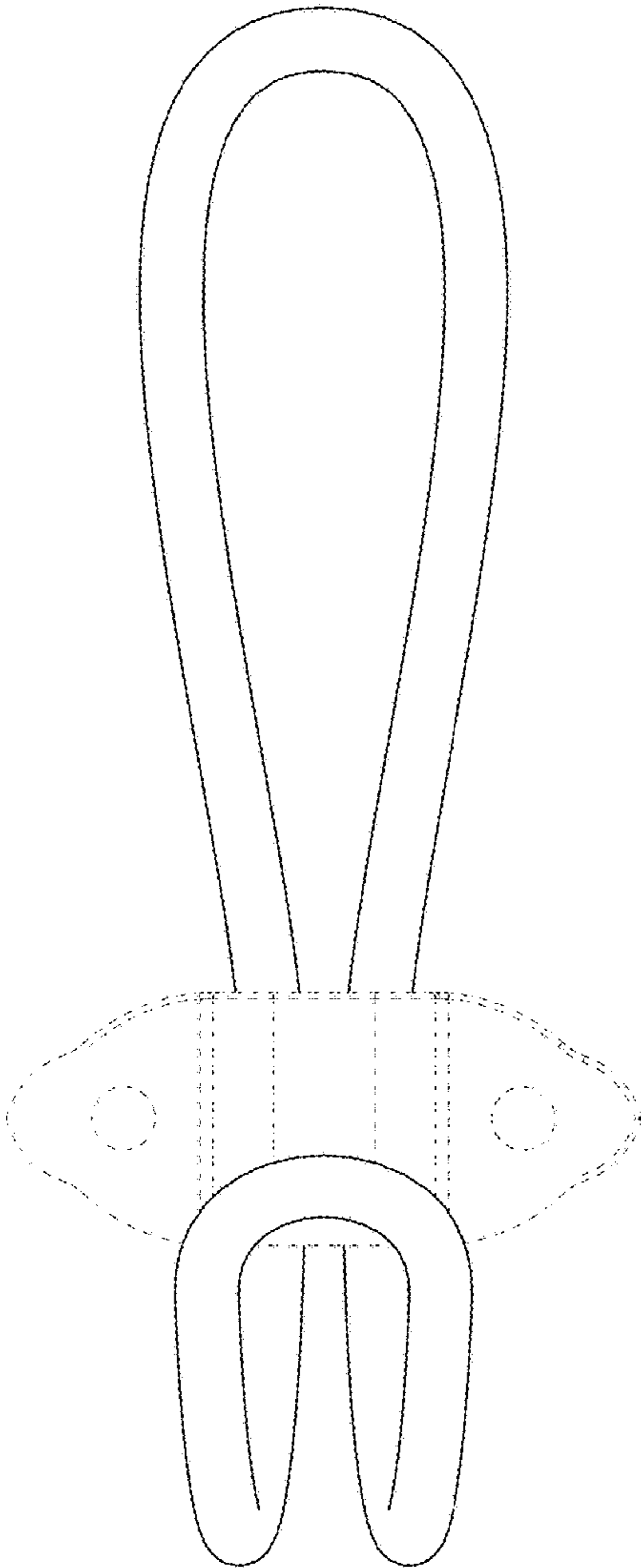


FIG. 2

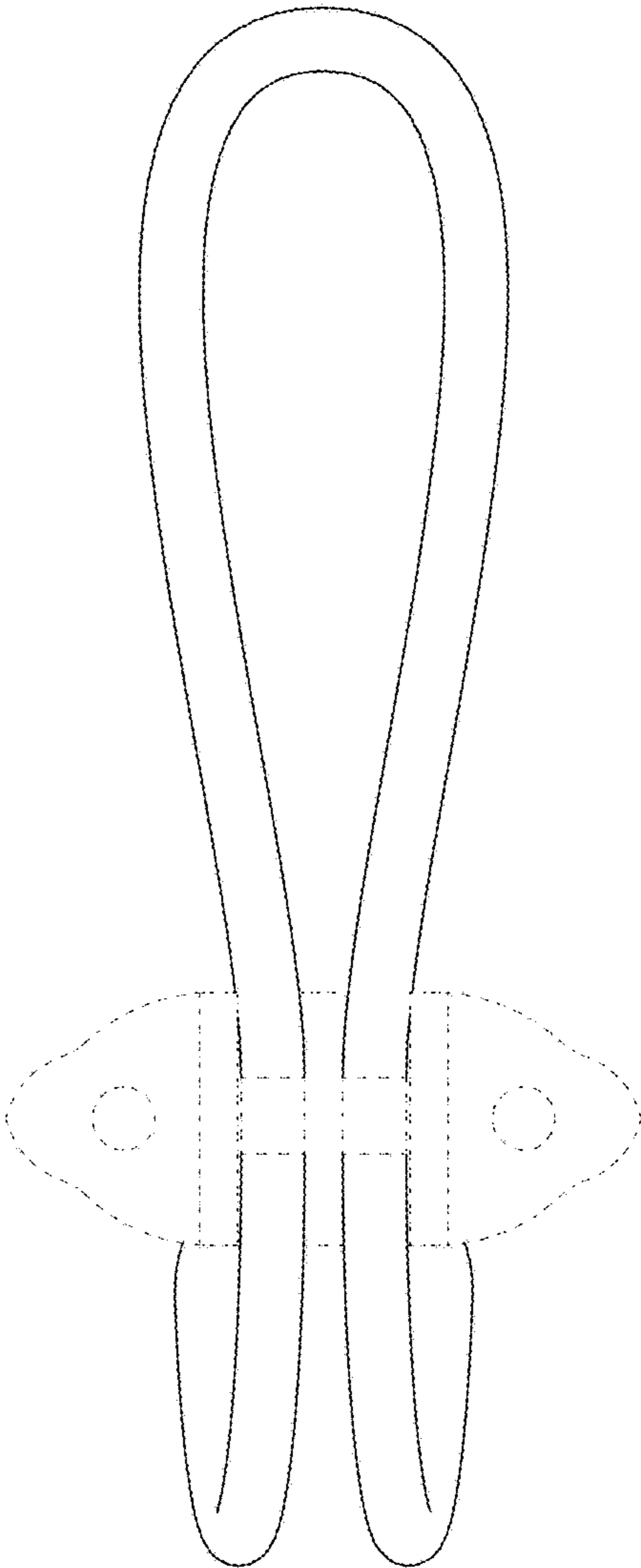


FIG. 3

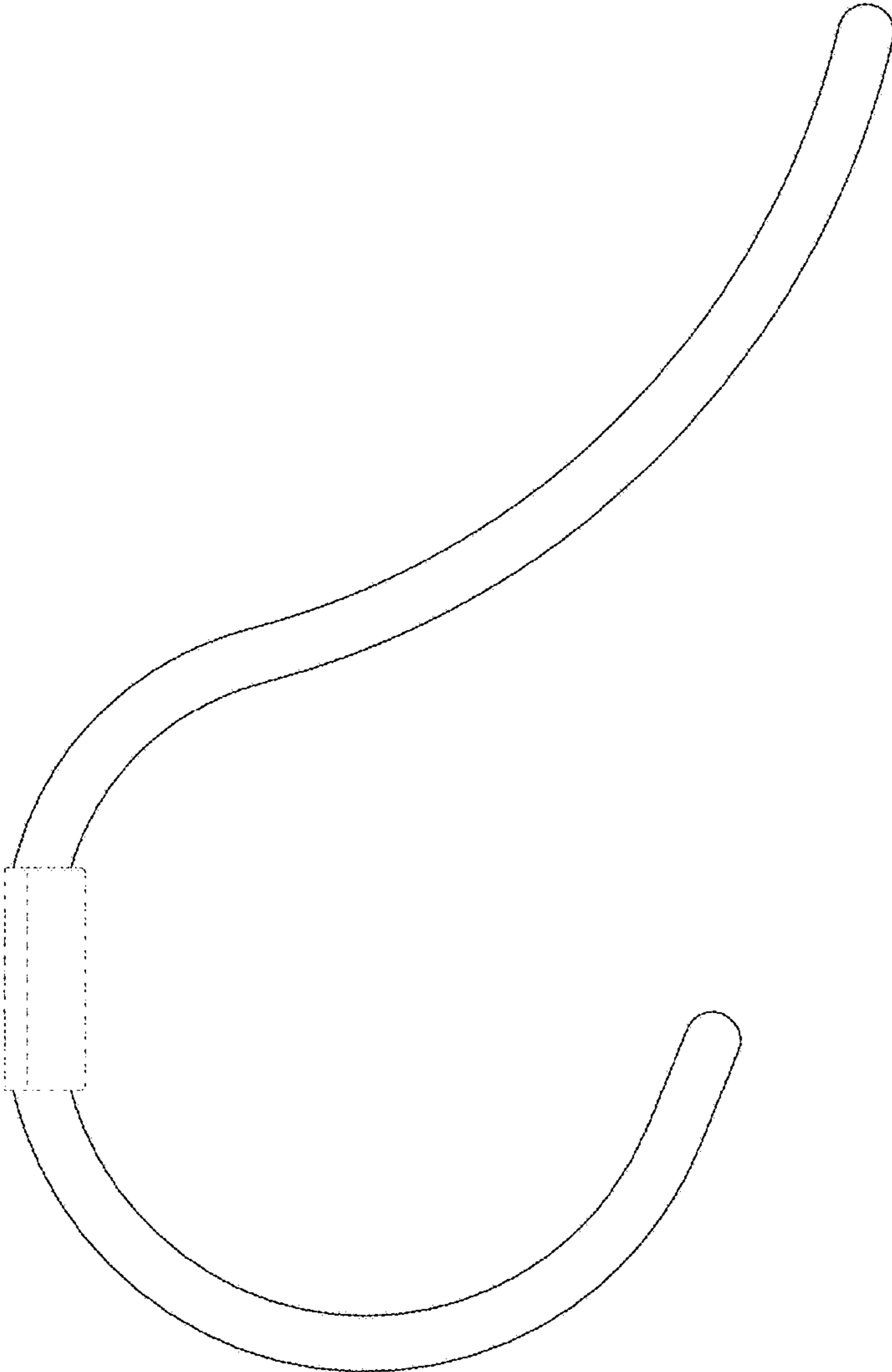


FIG. 4

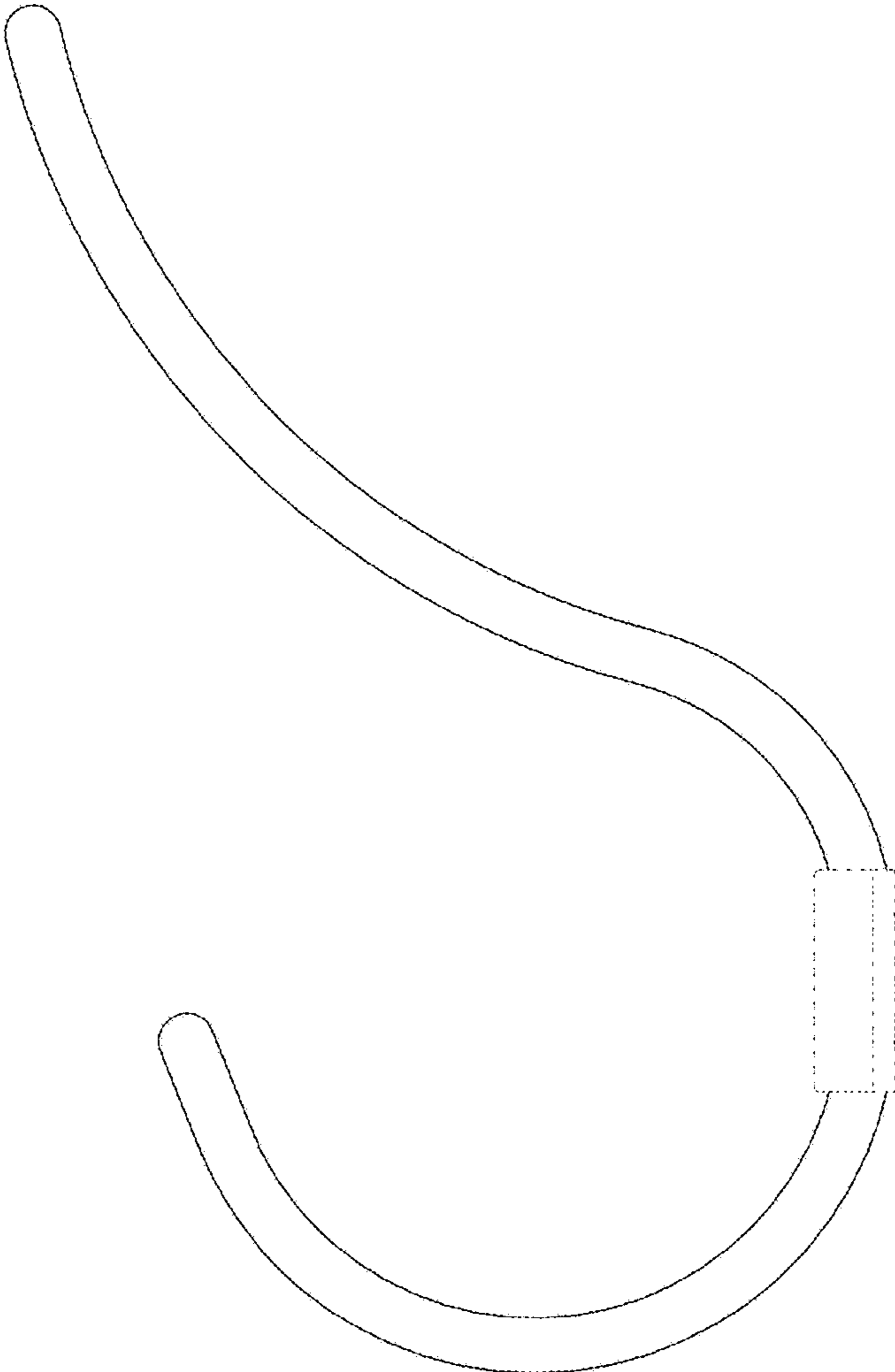


FIG. 5

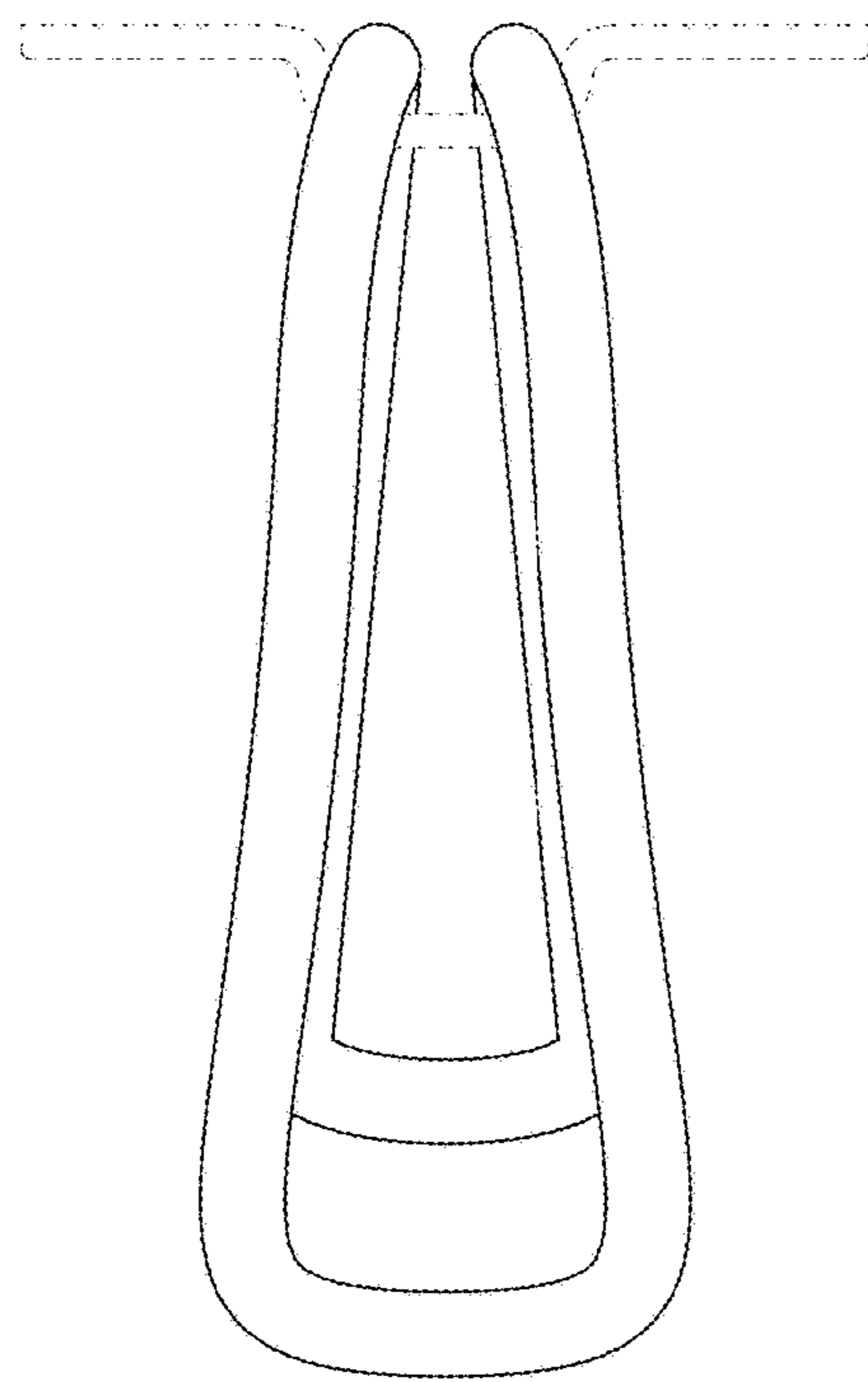


FIG. 6

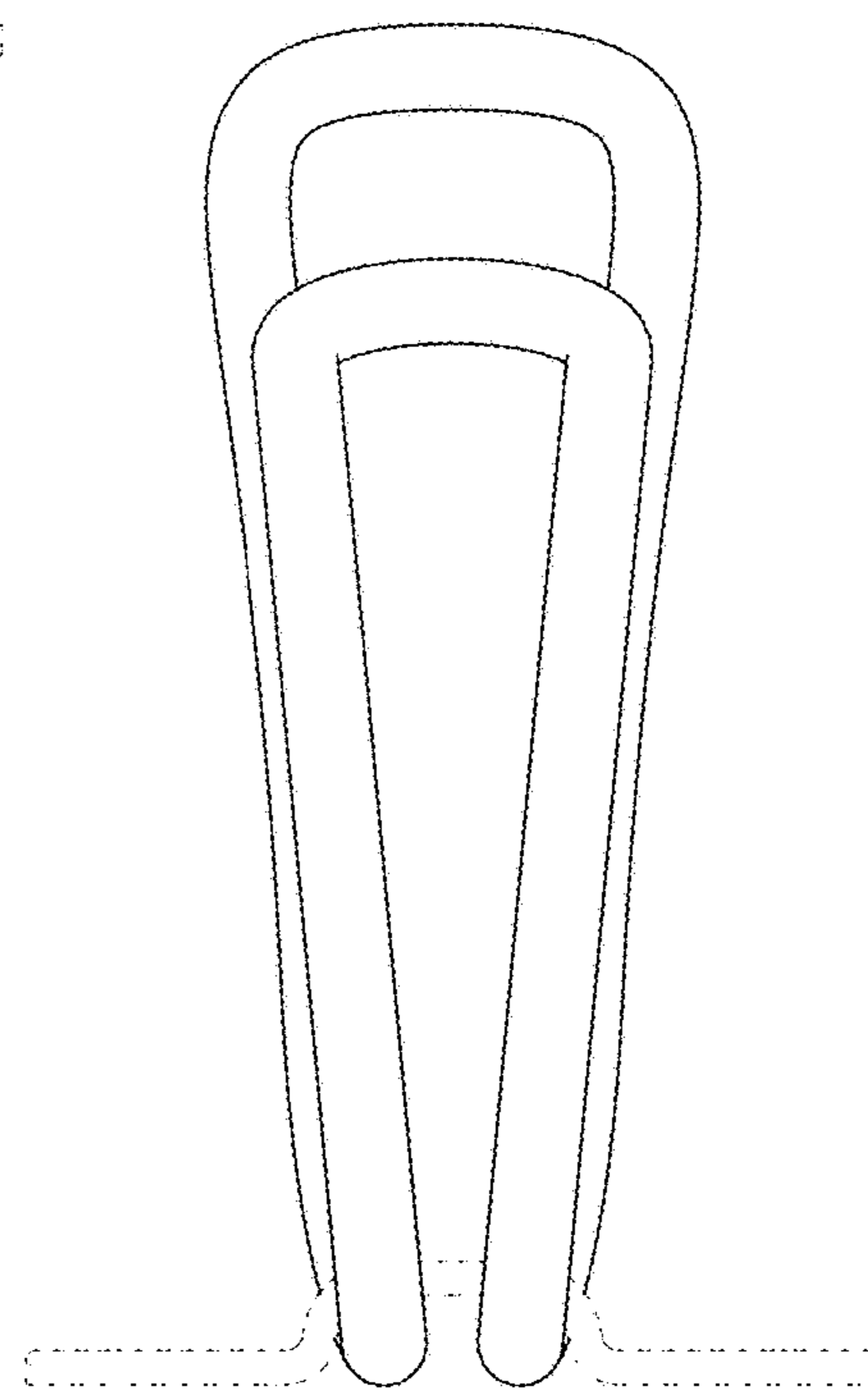


FIG. 7

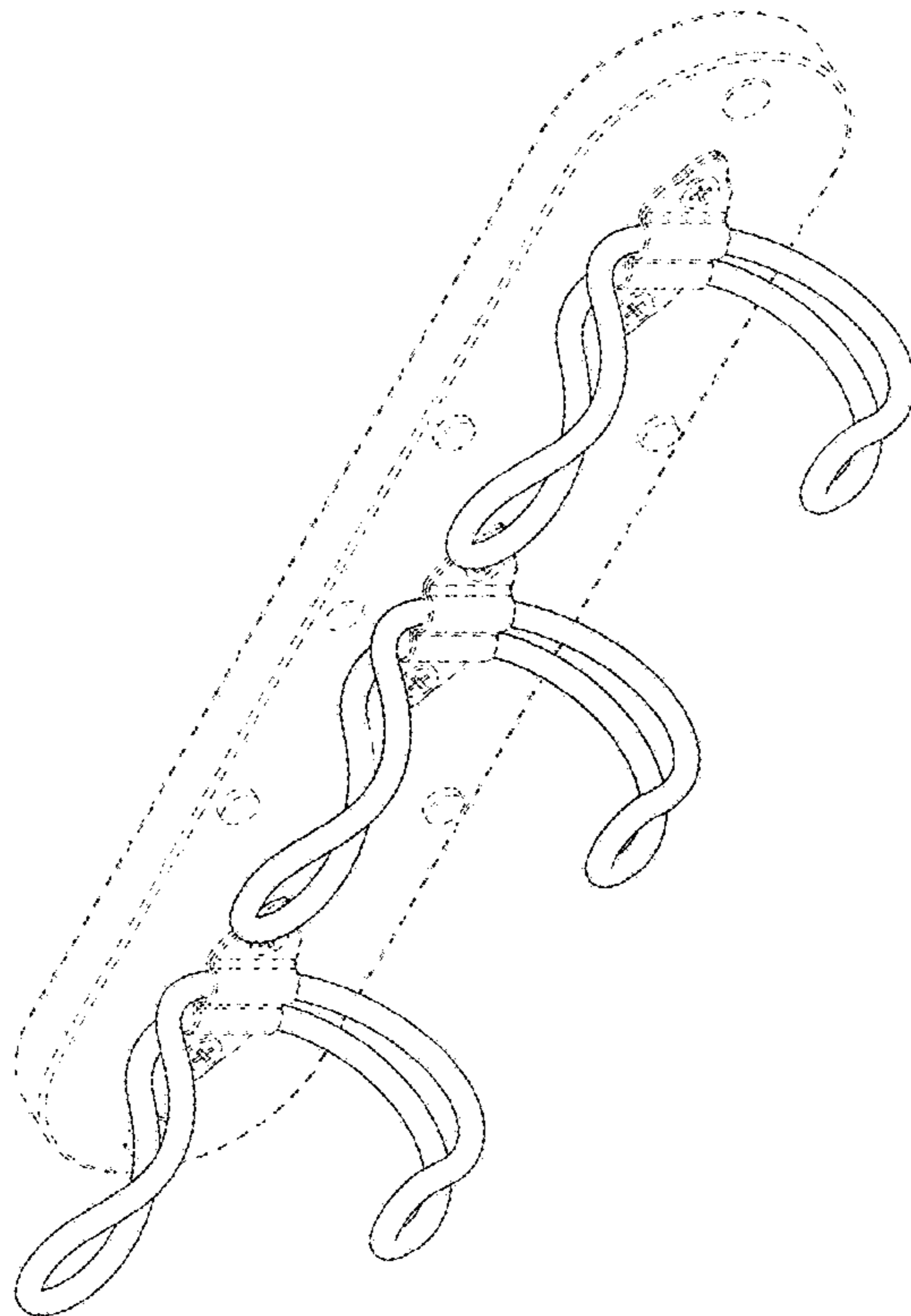


FIG. 8



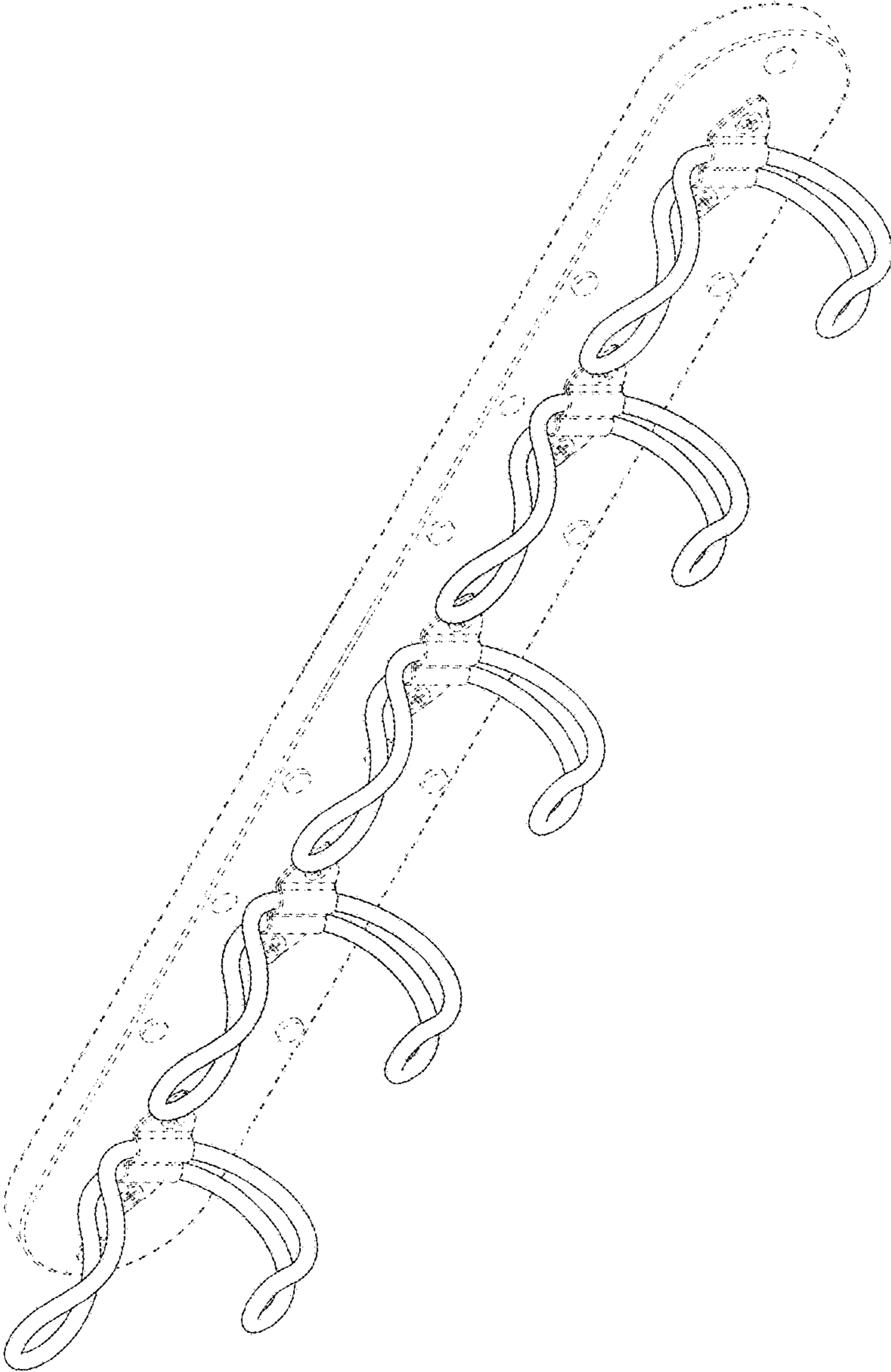


FIG. 9

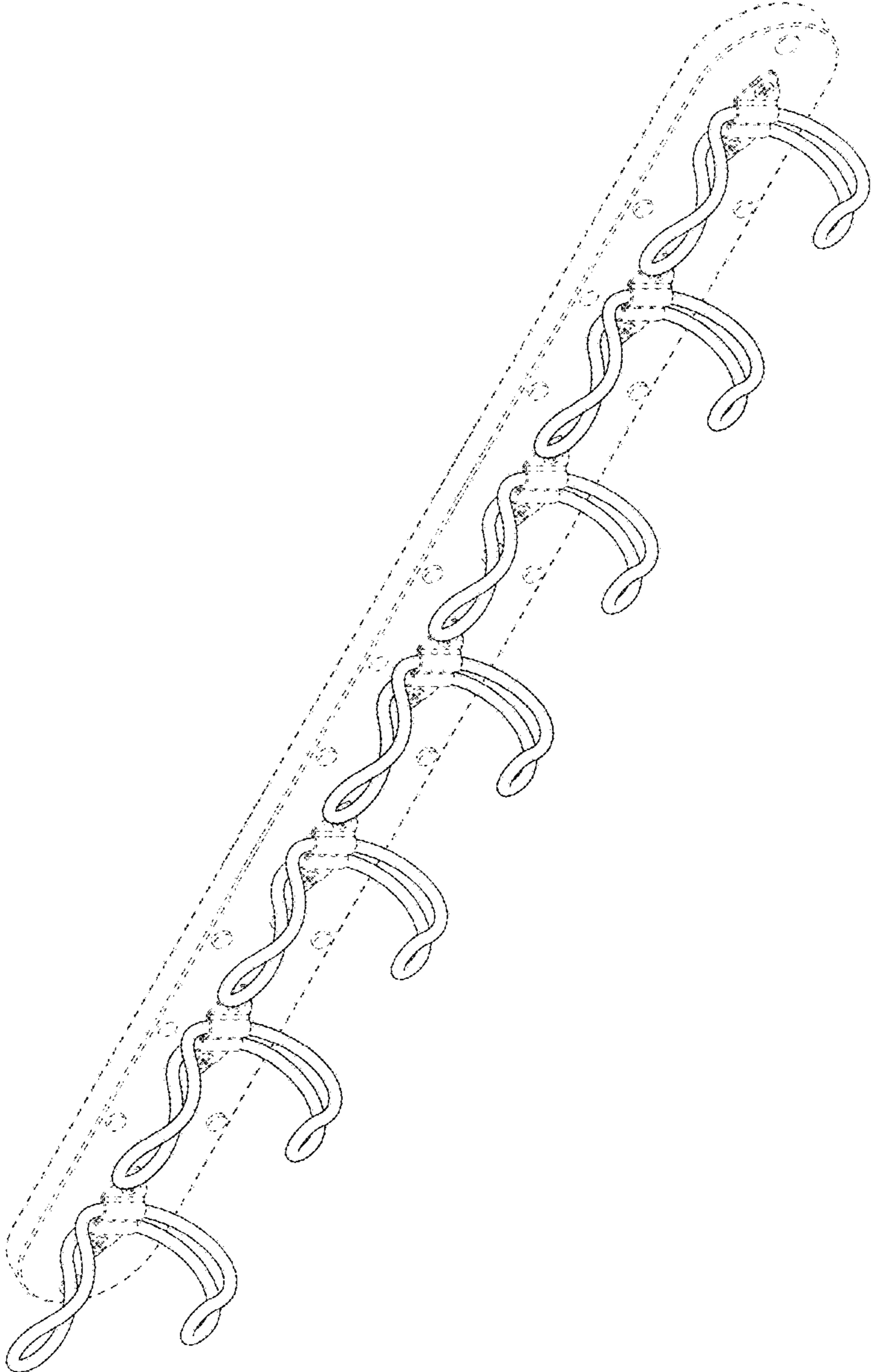


FIG. 10