



US00D840172S

(12) **United States Design Patent** (10) **Patent No.:** **US D840,172 S**  
**Makiuchi et al.** (45) **Date of Patent:** **\*\* Feb. 12, 2019**

(54) **SPONGE**  
(71) Applicant: **3M INNOVATIVE PROPERTIES COMPANY**, St. Paul, MN (US)  
(72) Inventors: **Nagomi Makiuchi**, Kanagawa (JP); **Satoshi Harai**, Tokyo (JP)  
(73) Assignee: **3M INNOVATIVE PROPERTIES COMPANY**, St. Paul, MN (US)  
(\*\*) Term: **15 Years**  
(21) Appl. No.: **29/610,416**  
(22) Filed: **Jul. 12, 2017**  
(51) **LOC (11) Cl.** ..... **07-05**  
(52) **U.S. Cl.**  
USPC ..... **D6/552**; D32/40  
(58) **Field of Classification Search**  
USPC ..... D6/552; D4/116, 119, 124; D9/719, D9/723-725, 414, 424, 431, 432, 721; D28/7, 63; D32/40-52; 15/244.1-244.4, 15/208, 229.1, 226, 144.1; D8/90; D15/126  
CPC ..... A47L 13/22; A47L 13/312; A47L 1/06; B21D 53/76; A47K 7/03  
See application file for complete search history.

D726,179 S \* 4/2015 Orthey ..... D14/358  
D763,054 S \* 8/2016 Ali ..... D8/90  
D803,906 S \* 11/2017 Lehoux ..... D15/126  
D818,642 S \* 5/2018 Hogan ..... D28/7  
D826,498 S \* 8/2018 Catania ..... D32/40

**FOREIGN PATENT DOCUMENTS**

JP 63-175563 11/1988  
JP H03-042256 4/1991  
JP H04-064349 6/1992  
JP 10-323319 12/1998  
JP 2003-180591 7/2003  
JP 2005-206675 8/2005

\* cited by examiner

*Primary Examiner* — Wan Laymon  
*Assistant Examiner* — Mark Booker  
(74) *Attorney, Agent, or Firm* — Irina Hass

(57) **CLAIM**

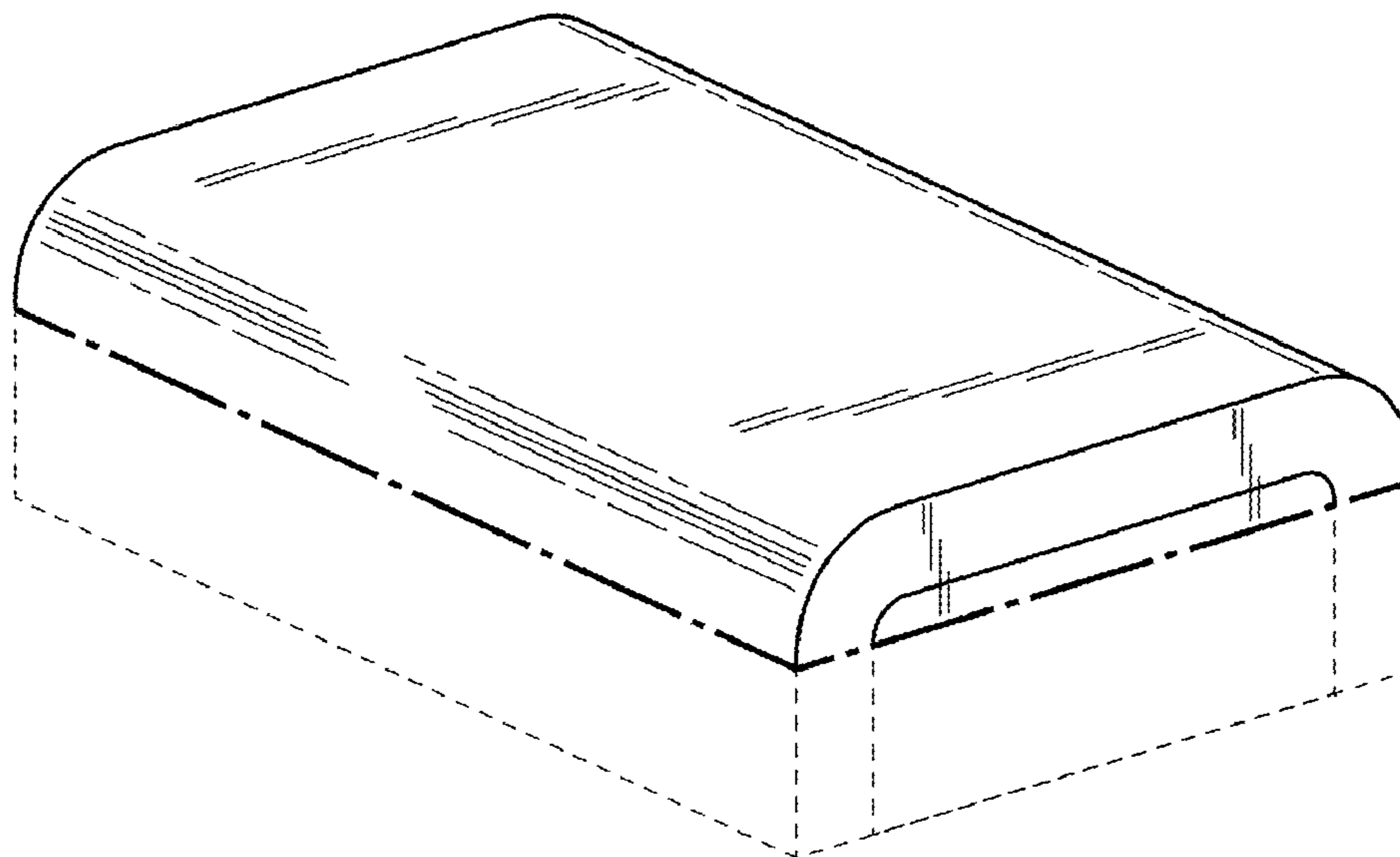
The ornamental design for a sponge, as shown and described.

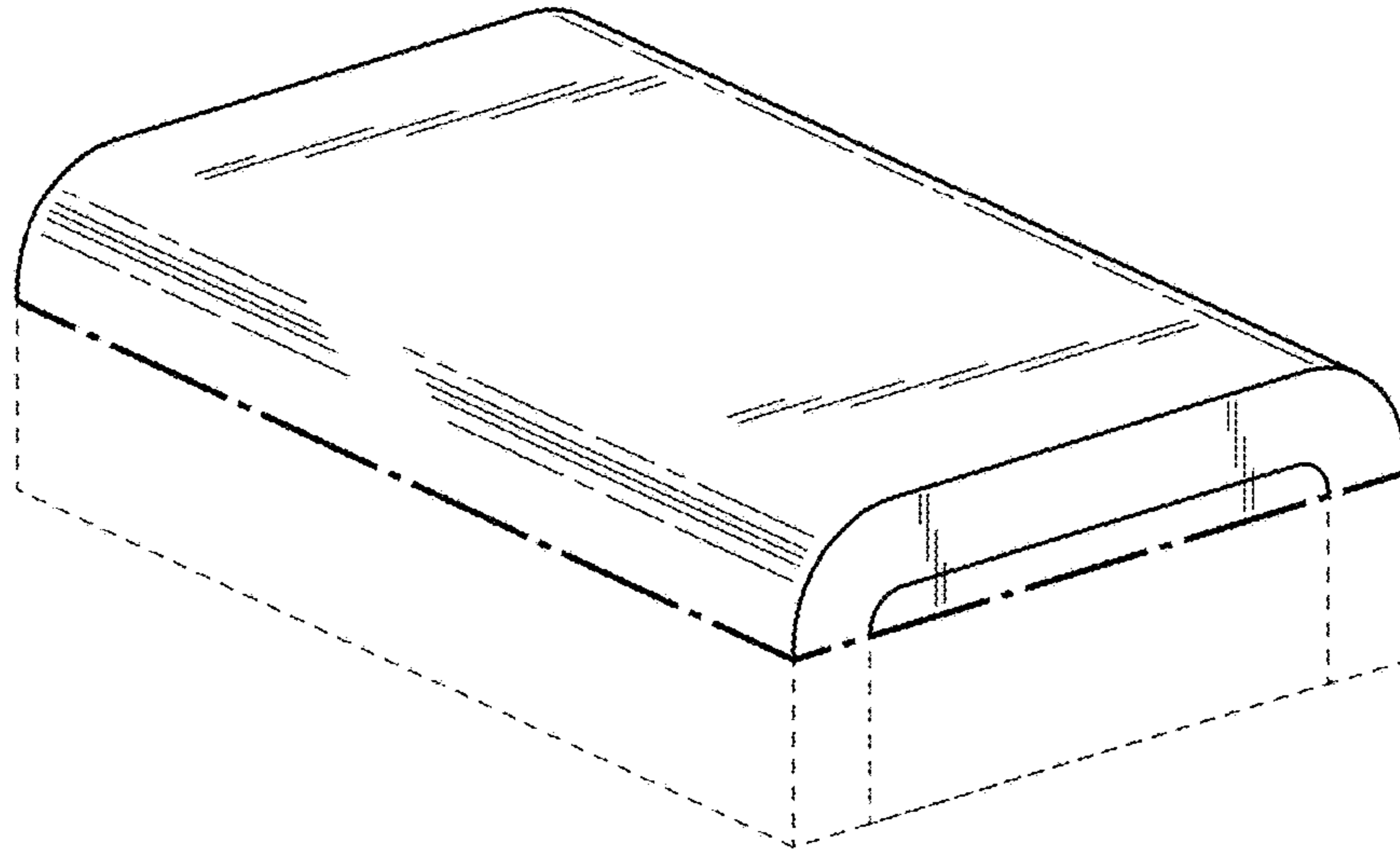
**DESCRIPTION**

FIG. 1 is a perspective view showing the new design for a sponge;  
FIG. 2 is a front view thereof, a rear view being a mirror image thereof;  
FIG. 3 is a right side view thereof, a left side view being a mirror image thereof;  
FIG. 4 is a top view thereof; and,  
FIG. 5 is a bottom view thereof.  
The portions of the sponge in FIGS. 1-3 and 5 shown in broken lines are included to show features that form no part of the claimed design. In addition, the dot-dash-dot type broken lines shown in the drawing views define the boundaries of the claimed design and form no part of the claimed design.

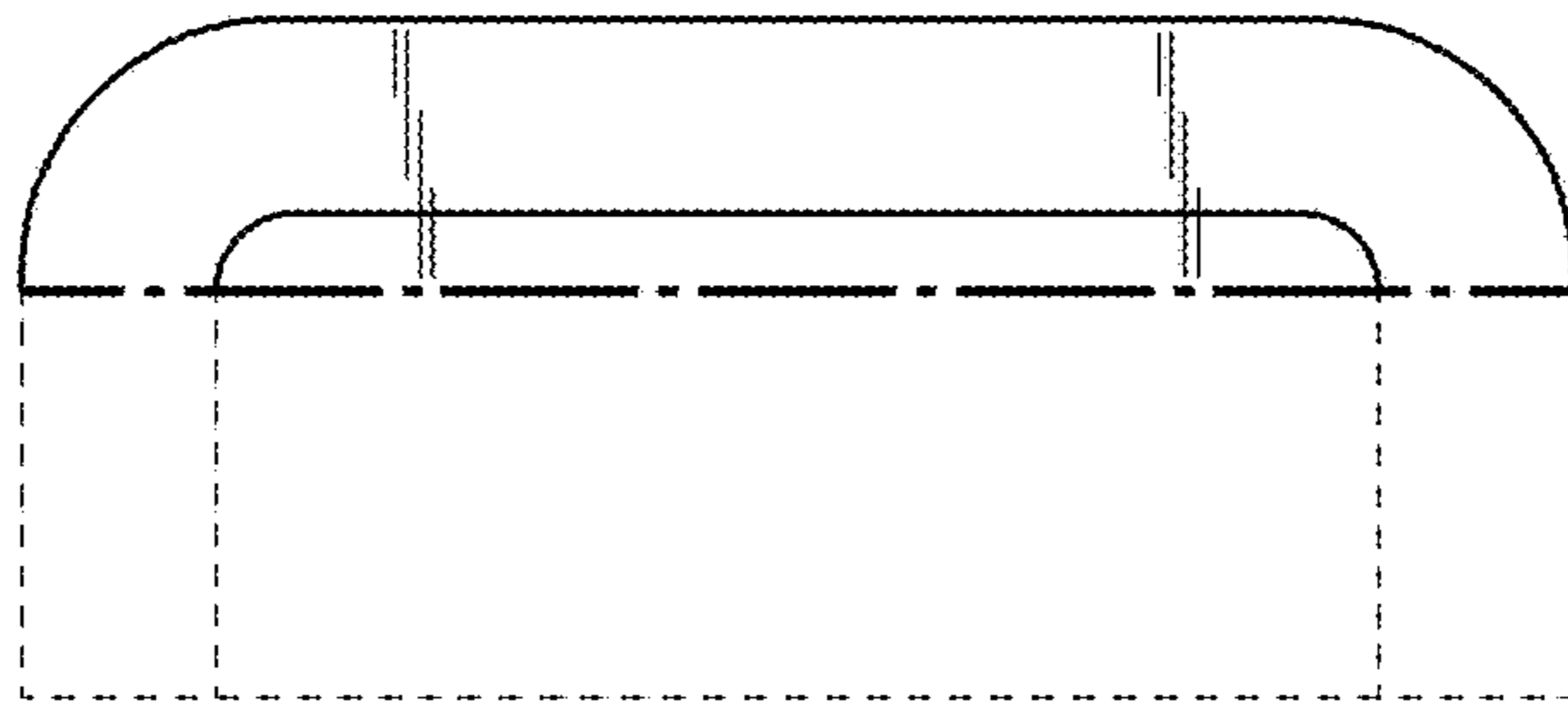
**1 Claim, 2 Drawing Sheets**

(56) **References Cited**  
**U.S. PATENT DOCUMENTS**  
D406,681 S \* 3/1999 Kelly ..... D32/40  
D447,300 S \* 8/2001 Denney ..... D32/40  
D506,065 S \* 6/2005 Sugino ..... D13/103  
D537,034 S \* 2/2007 Kang ..... D13/103  
D625,063 S \* 10/2010 Armaly, Jr. .... D32/40  
D669,288 S \* 10/2012 Brigham ..... D6/552  
D717,166 S \* 11/2014 Lee ..... D9/424  
D719,710 S \* 12/2014 Olson ..... D32/40

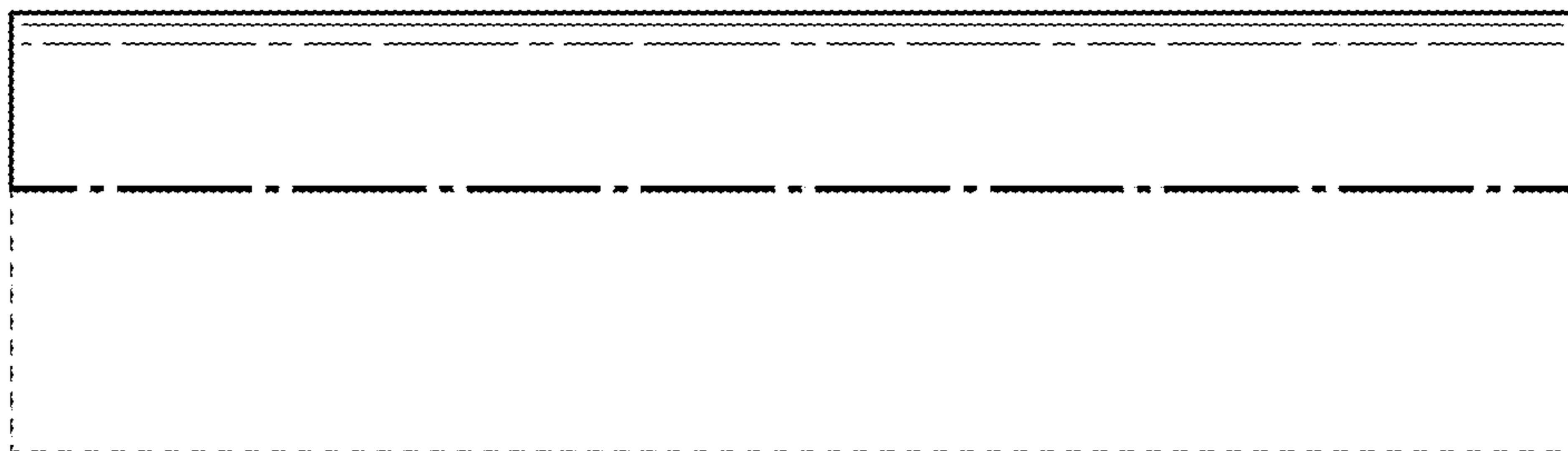




*Fig. 1*



*Fig. 2*



*Fig. 3*



*Fig. 4*



*Fig. 5*