



US00D840170S

(12) **United States Design Patent**
Joseph

(10) **Patent No.:** **US D840,170 S**

(45) **Date of Patent:** **** Feb. 12, 2019**

(54) **TOILET BRUSH CANISTER**

(71) Applicant: **JOSEPH JOSEPH, LTD.**, London
(GB)

(72) Inventor: **Antony Joseph**, London (GB)

(73) Assignee: **JOSEPH JOSEPH LTD.**, London
(GB)

(**) Term: **15 Years**

(21) Appl. No.: **29/614,967**

(22) Filed: **Aug. 24, 2017**

(30) **Foreign Application Priority Data**

Mar. 8, 2017 (EM) 003789437

(51) **LOC (11) Cl.** **06-04**

(52) **U.S. Cl.**
USPC **D6/525**

(58) **Field of Classification Search**
USPC D6/525, 551; D7/541, 555, 615;
4/255.05, 255.11; 206/207, 349, 361;
220/263; 312/206, 207
CPC A47K 17/00; A47K 11/10; A47K 3/001;
B65D 47/40

See application file for complete search history.

(56) **References Cited**

U.S. PATENT DOCUMENTS

D575,086 S * 8/2008 Savran D6/524

D702,457 S * 4/2014 Williams D6/524
D784,722 S * 4/2017 Meier D6/525

* cited by examiner

Primary Examiner — Wan Laymon

Assistant Examiner — Mark Booker

(74) *Attorney, Agent, or Firm* — Millen, White, Zelano,
Branigan, P.C.

(57) **CLAIM**

The ornamental design for a toilet brush canister, as shown
and described.

DESCRIPTION

FIG. 1 is a top perspective view of the toilet brush canister
showing my new design.

FIG. 2 is a front view thereof.

FIG. 3 is a back view thereof.

FIG. 4 is a side view thereof.

FIG. 5 is another side view thereof.

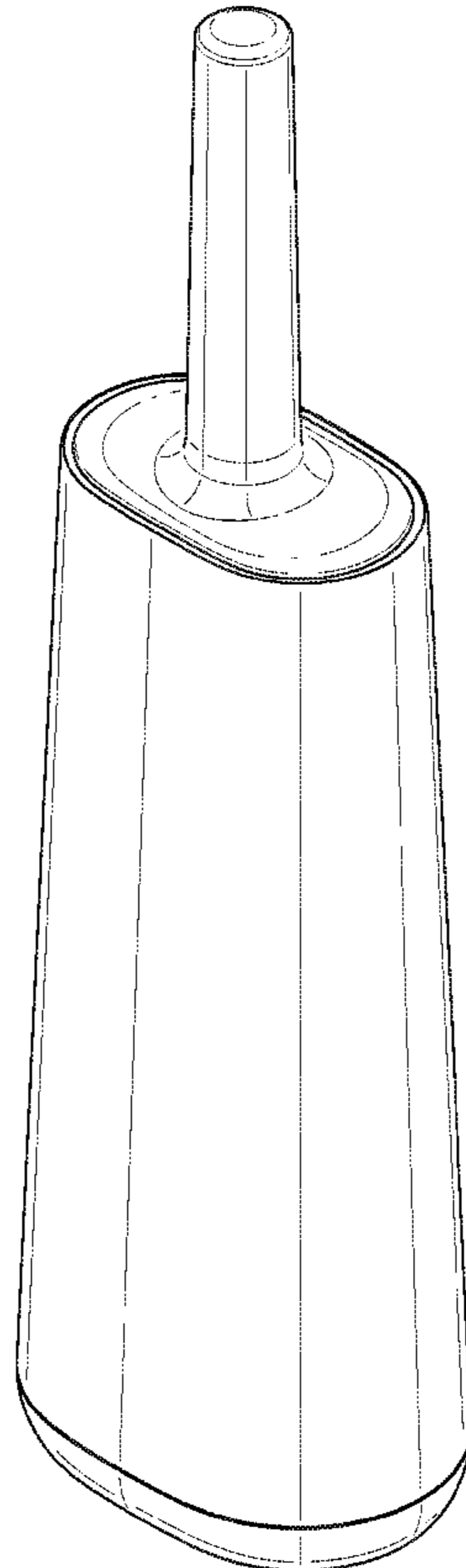
FIG. 6 is a top view thereof.

FIG. 7 is a bottom view thereof.

FIG. 8 is a front top perspective exploded view thereof; and,
FIG. 9 is a back top perspective exploded view thereof.

The broken lines in the drawings illustrate portions of the
toilet brush canister which form no part of the claimed
design.

1 Claim, 9 Drawing Sheets



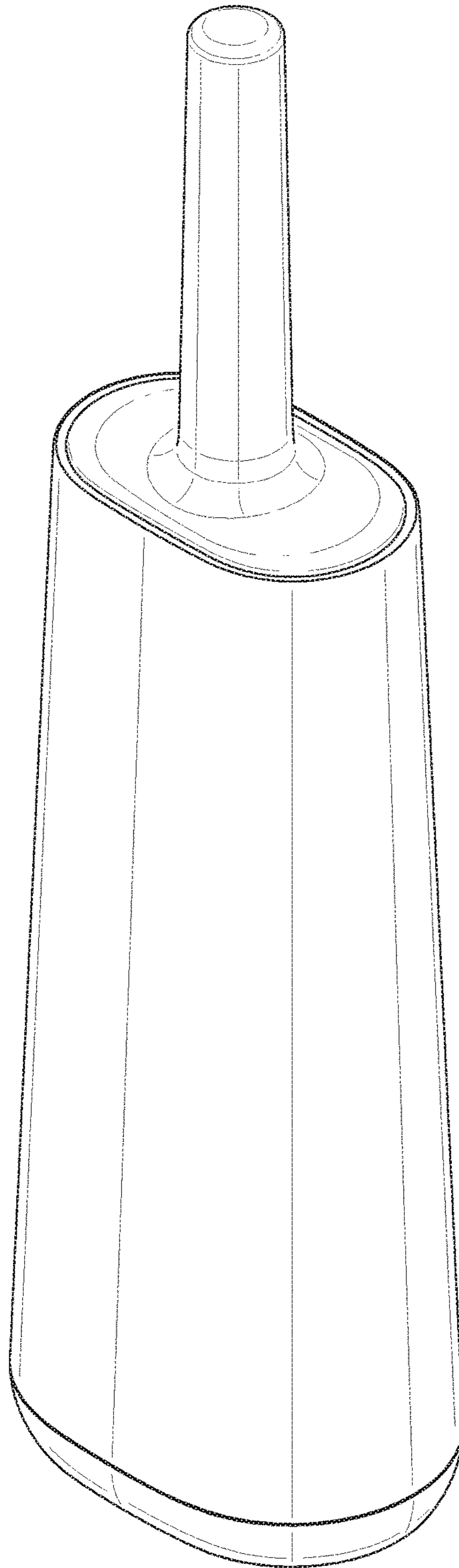


FIG. 1

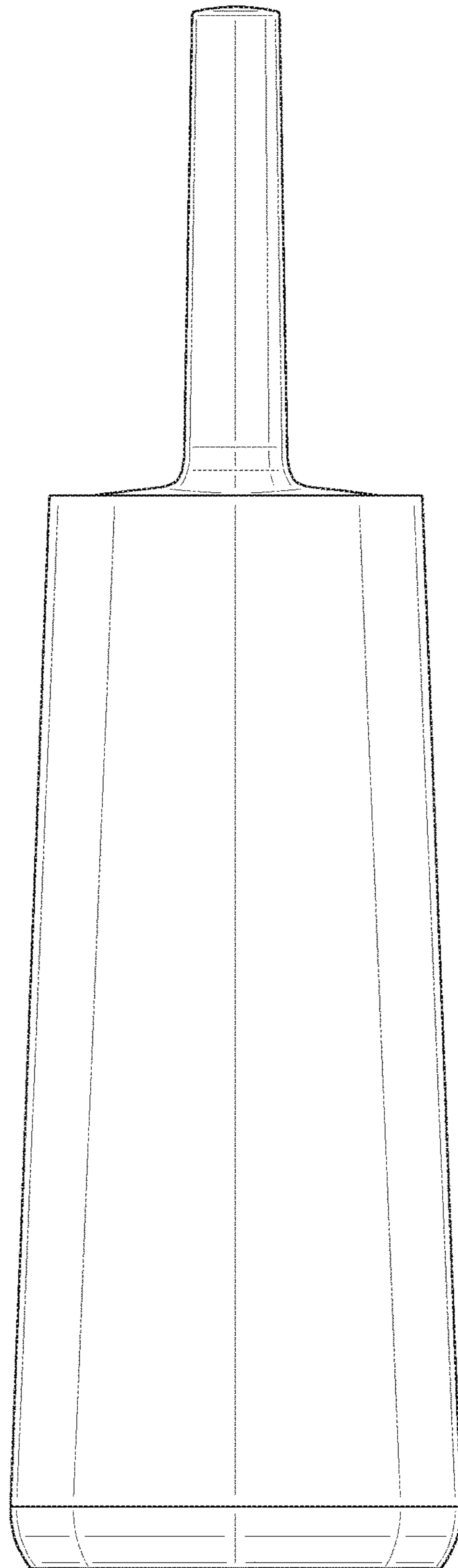


FIG. 2

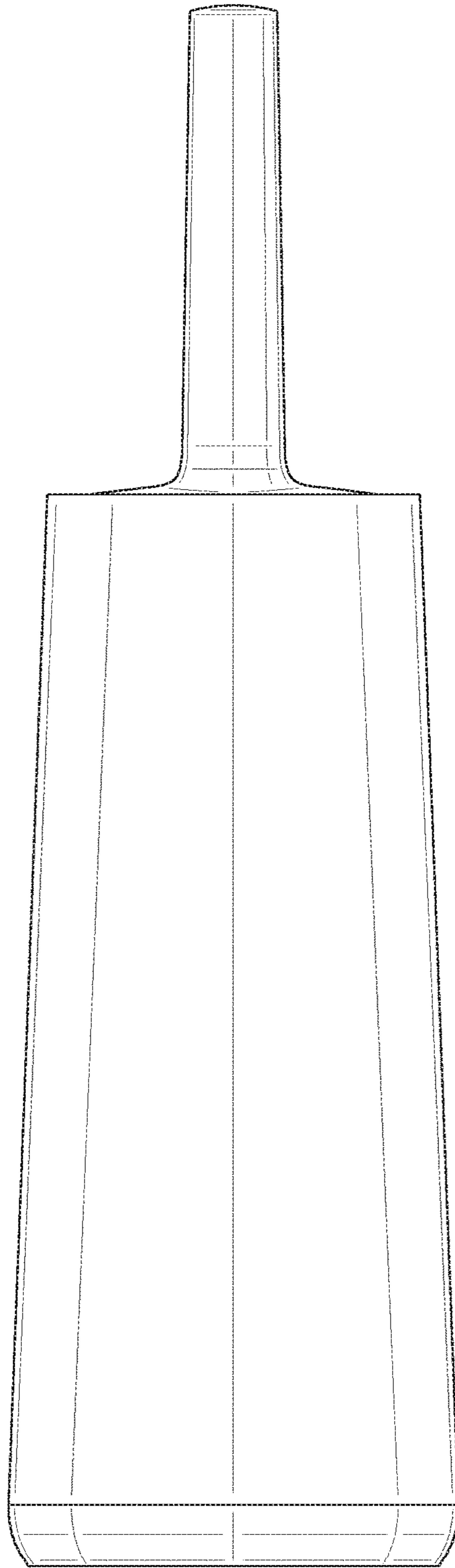


FIG. 3

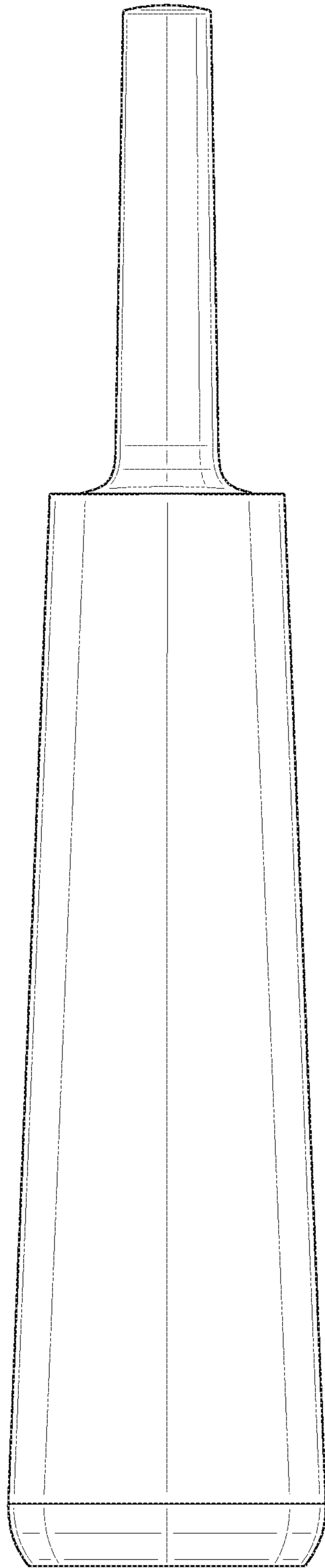


FIG. 4

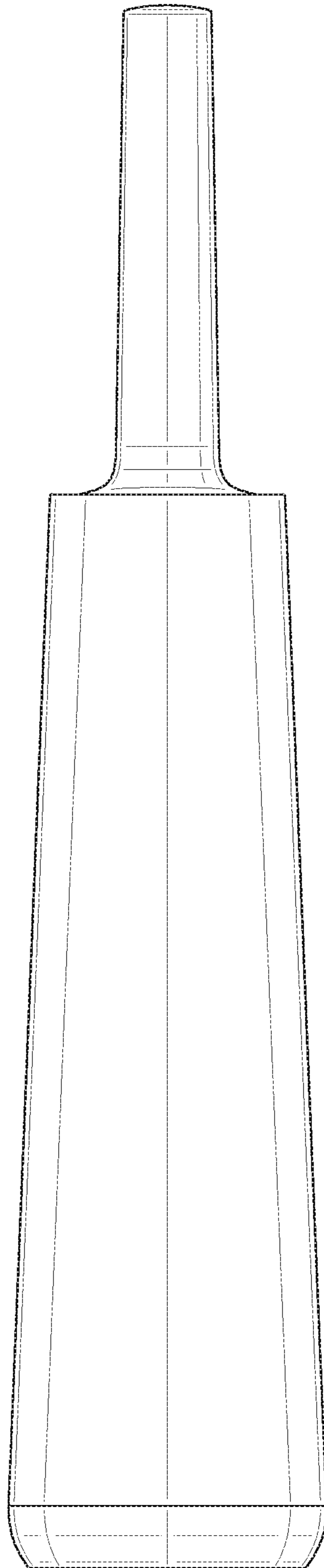


FIG. 5

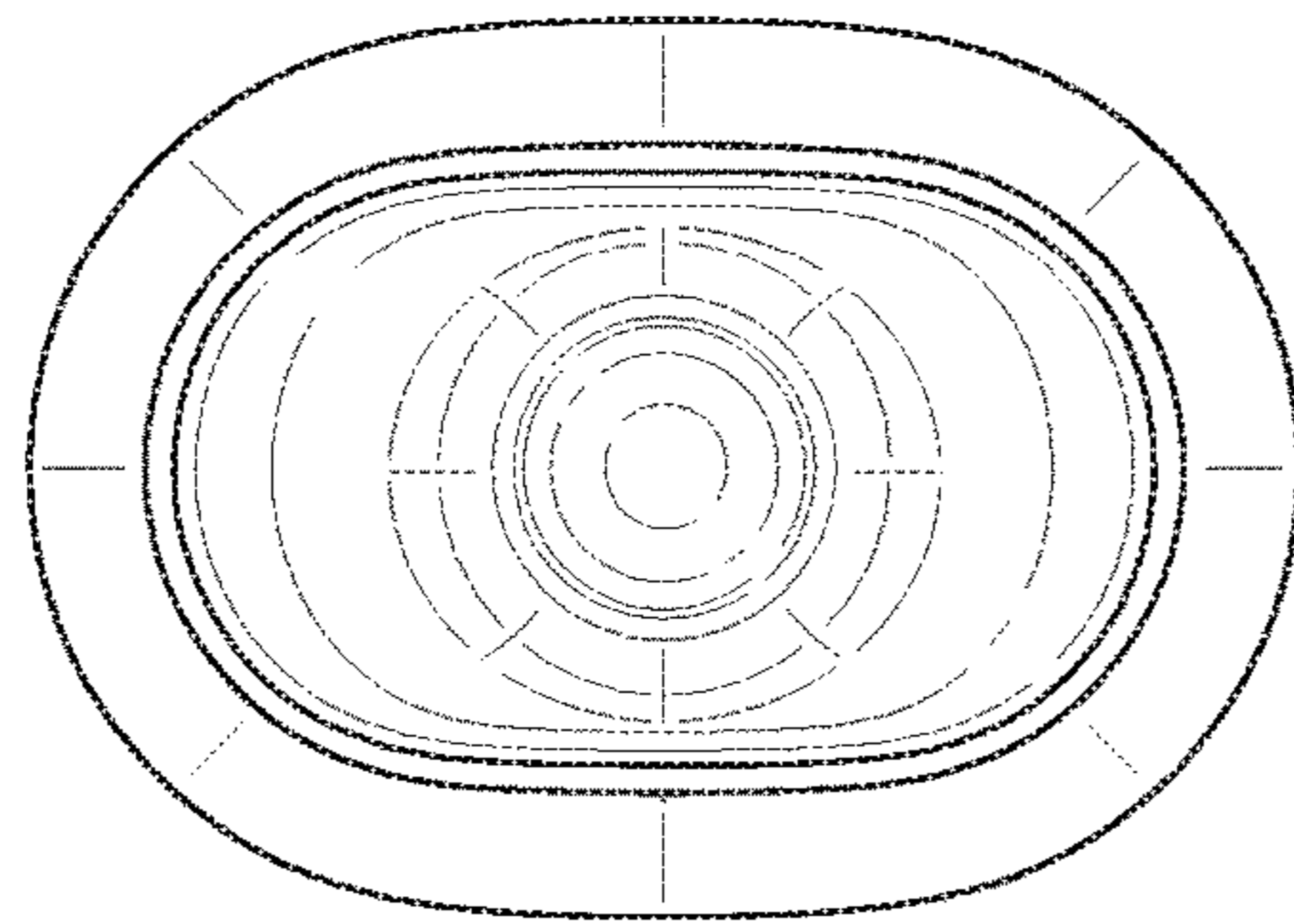


FIG. 6

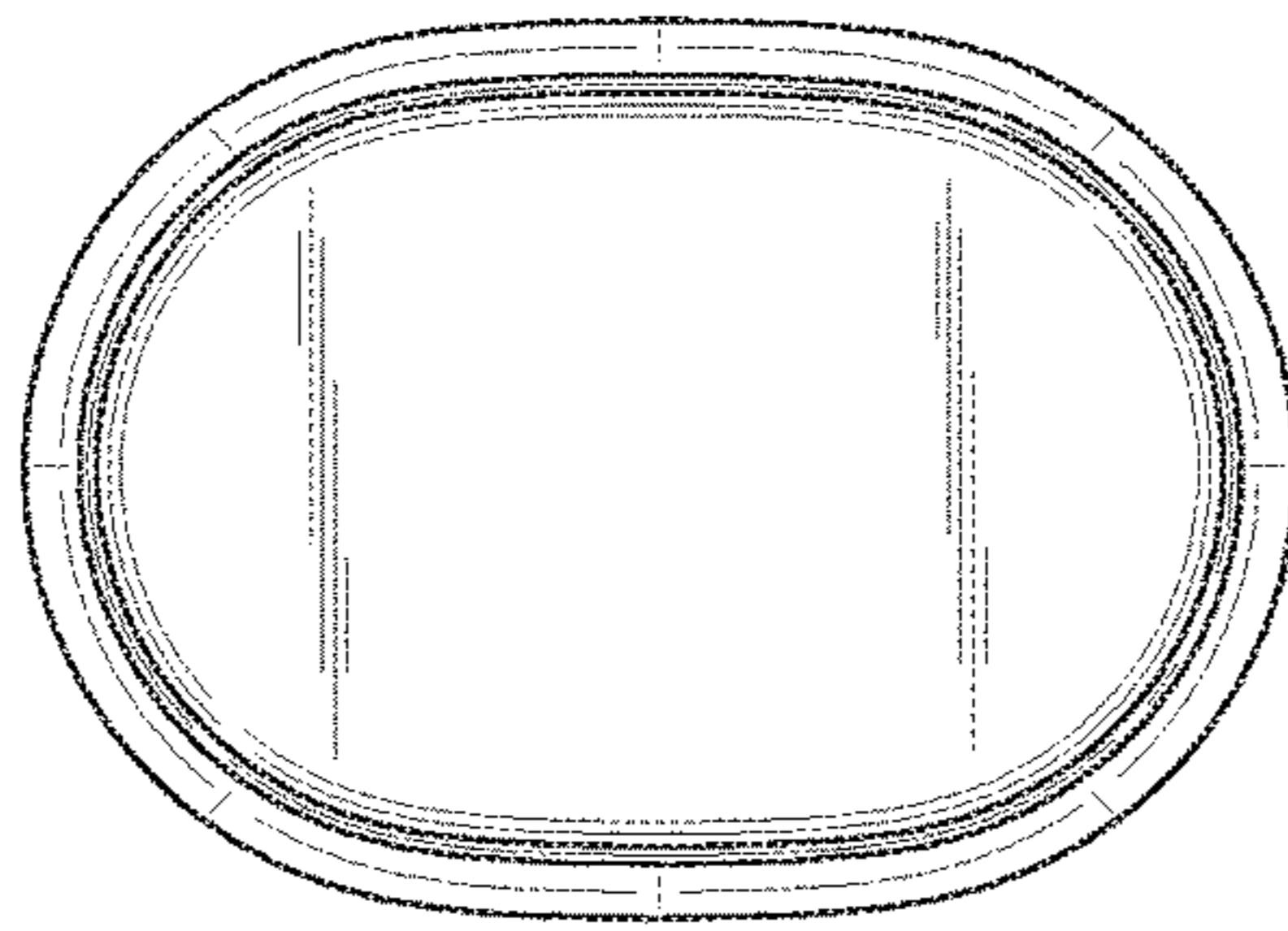


FIG. 7

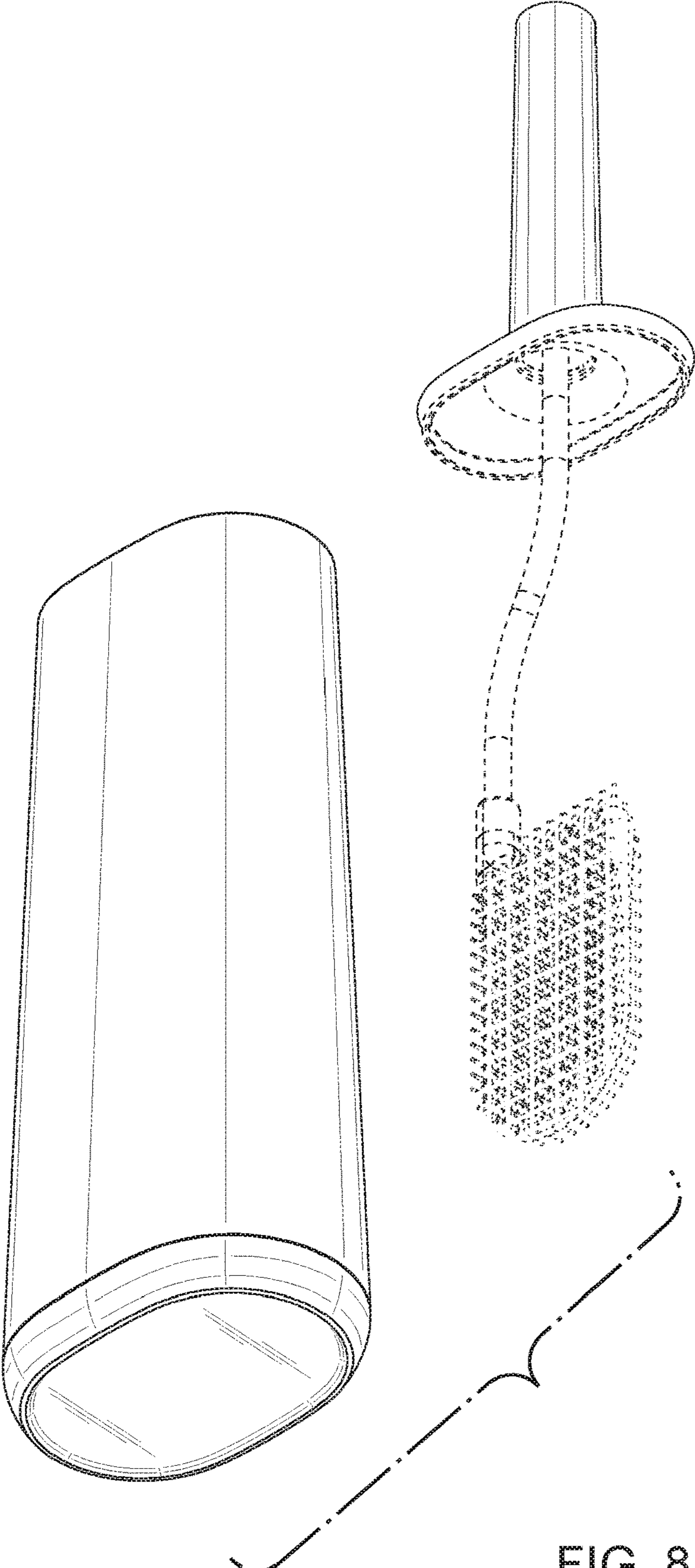


FIG. 8

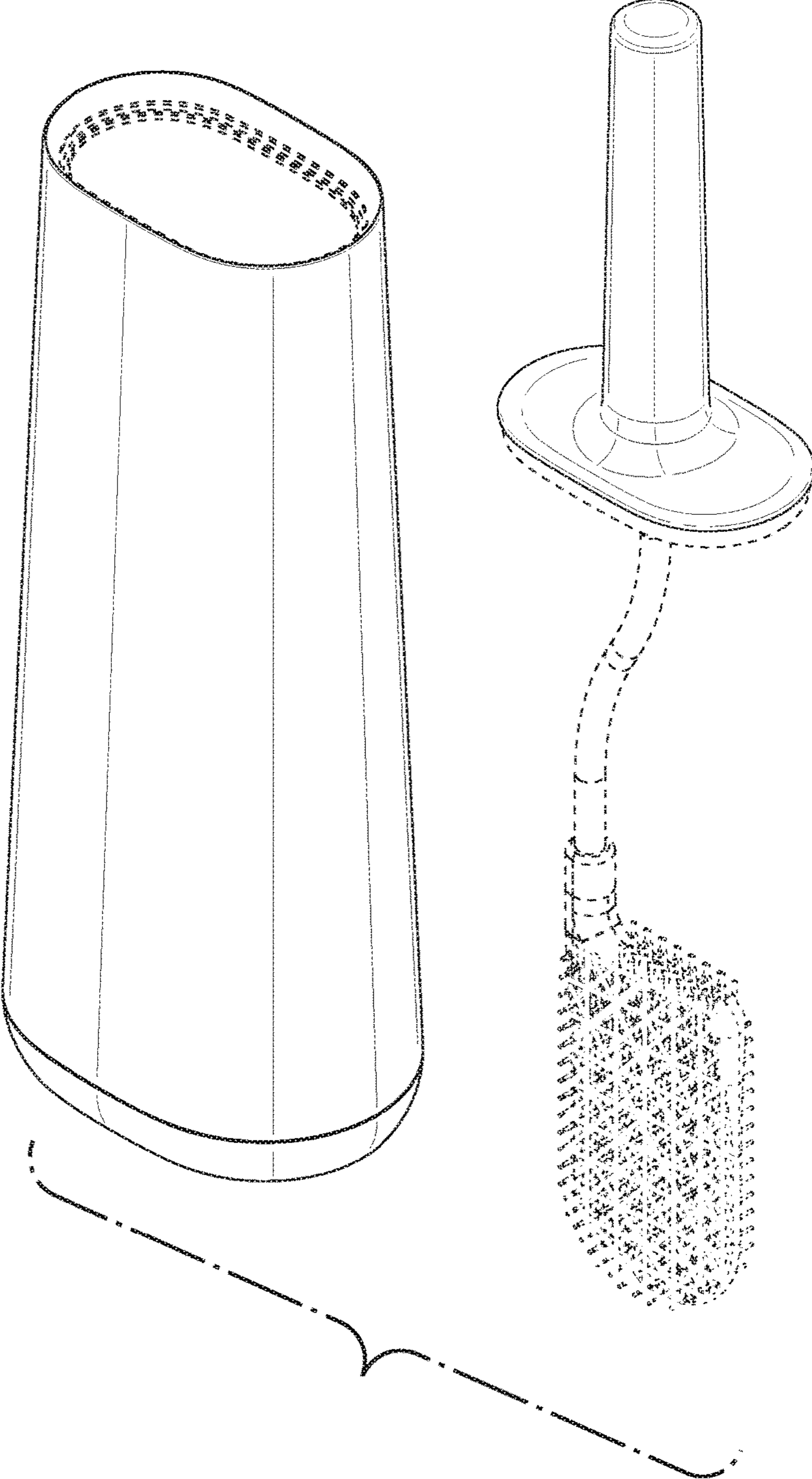


FIG. 9