



US00D840168S

(12) **United States Design Patent**
Feldman et al.

(10) **Patent No.:** **US D840,168 S**

(45) **Date of Patent:** **** Feb. 12, 2019**

(54) **ARMCHAIR**

(71) Applicant: **J&D Furniture LLC**, Great Neck, NY
(US)

(72) Inventors: **Janet Schwartz Feldman**, Great Neck,
NY (US); **Derek Feldman**, Great Neck,
NY (US); **Aviv Rottenberg**, Ramat
Hasharon (IL); **David Yassaf**, Neve
Yamin (IL); **Gilad Davidi**, Tel Aviv
(IL); **Alex Padwa**, Tel Aviv (IL)

(73) Assignee: **J&D Furniture LLC**, Great Neck, NY
(US)

(**) Term: **15 Years**

(21) Appl. No.: **29/561,499**

(22) Filed: **Apr. 15, 2016**

(51) **LOC (11) Cl.** **06-01**

(52) **U.S. Cl.**
USPC **D6/367**

(58) **Field of Classification Search**
USPC D6/334, 336, 353, 356, 360, 367, 716,
D6/716.2, 716.6
CPC A47C 7/02; A47C 7/44; A47C 7/46; A47C
7/48; A47C 7/54; A47C 7/386; A47C
7/462; A47C 1/10; A47C 1/03
See application file for complete search history.

(56) **References Cited**

U.S. PATENT DOCUMENTS

D430,974 S * 9/2000 Yang D6/360
D456,621 S * 5/2002 Antunes D6/334

D541,064 S * 4/2007 Miller D6/367
D551,869 S * 10/2007 Zambelli D6/367
D654,708 S * 2/2012 Figueras Mitjans D6/336
D699,960 S * 2/2014 Potter D6/367
D800,464 S * 10/2017 Larabie D6/356
D804,210 S * 12/2017 Borrás Pons D6/367

* cited by examiner

Primary Examiner — Robin V Webster

Assistant Examiner — Keith J Wilson

(74) *Attorney, Agent, or Firm* — Seth H. Ostrow; Meister
Seelig & Fein LLP

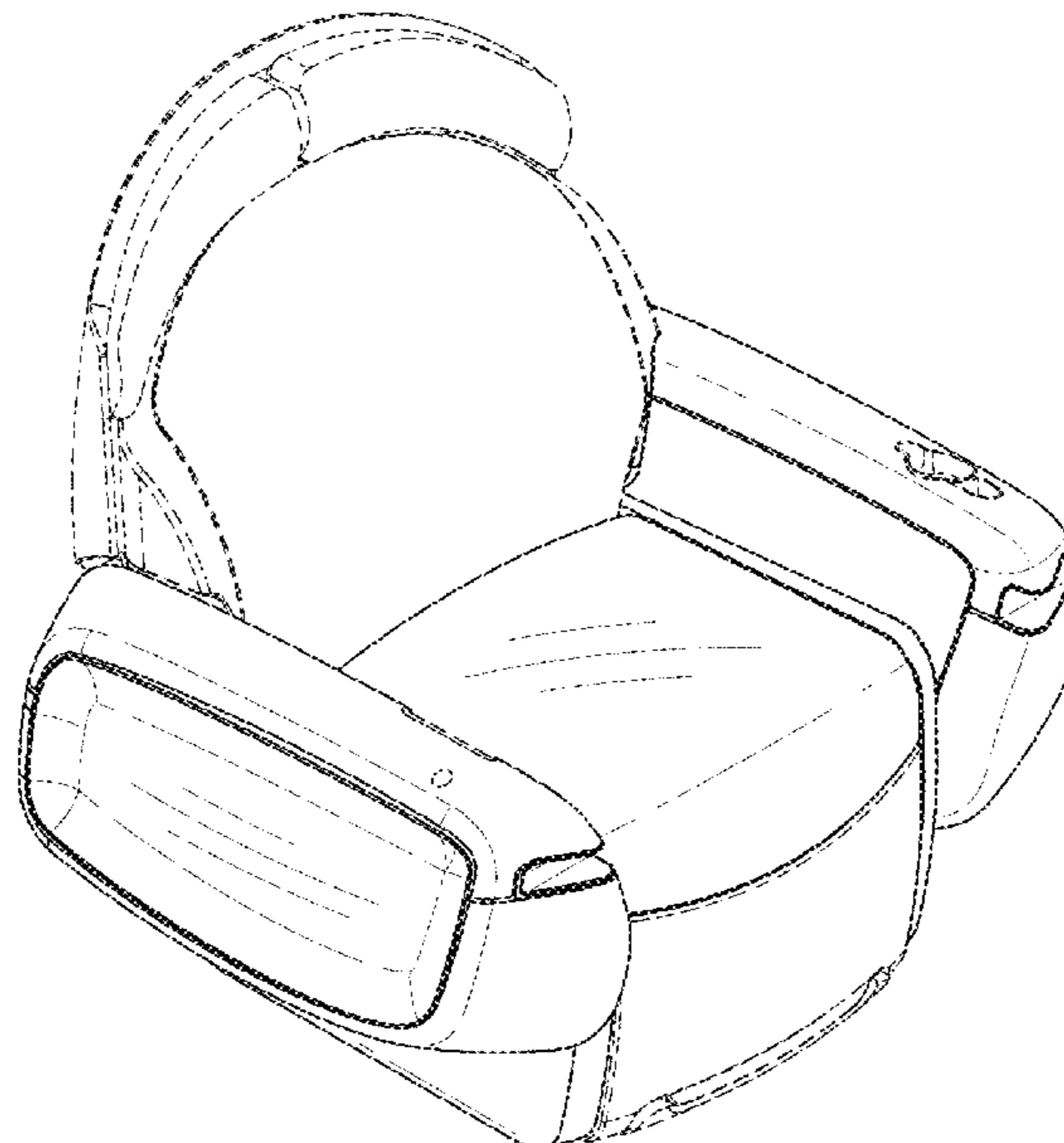
(57) **CLAIM**

The ornamental design for the armchair, as shown and
described.

DESCRIPTION

FIG. 1 is a perspective view of the left, top, and front sides
of the armchair of our new design;
FIG. 2 is a top view thereof;
FIG. 3 is a bottom view thereof;
FIG. 4 is a left side view thereof;
FIG. 5 is a right side view thereof;
FIG. 6 is a front view thereof;
FIG. 7 is a back view thereof; and,
FIG. 8 is a perspective view of the left, top, and front sides
of the armchair in a reclined position of our new design.
The broken lines shown in the drawings represent portions
of the armchair that form no part of the claimed design.

1 Claim, 8 Drawing Sheets



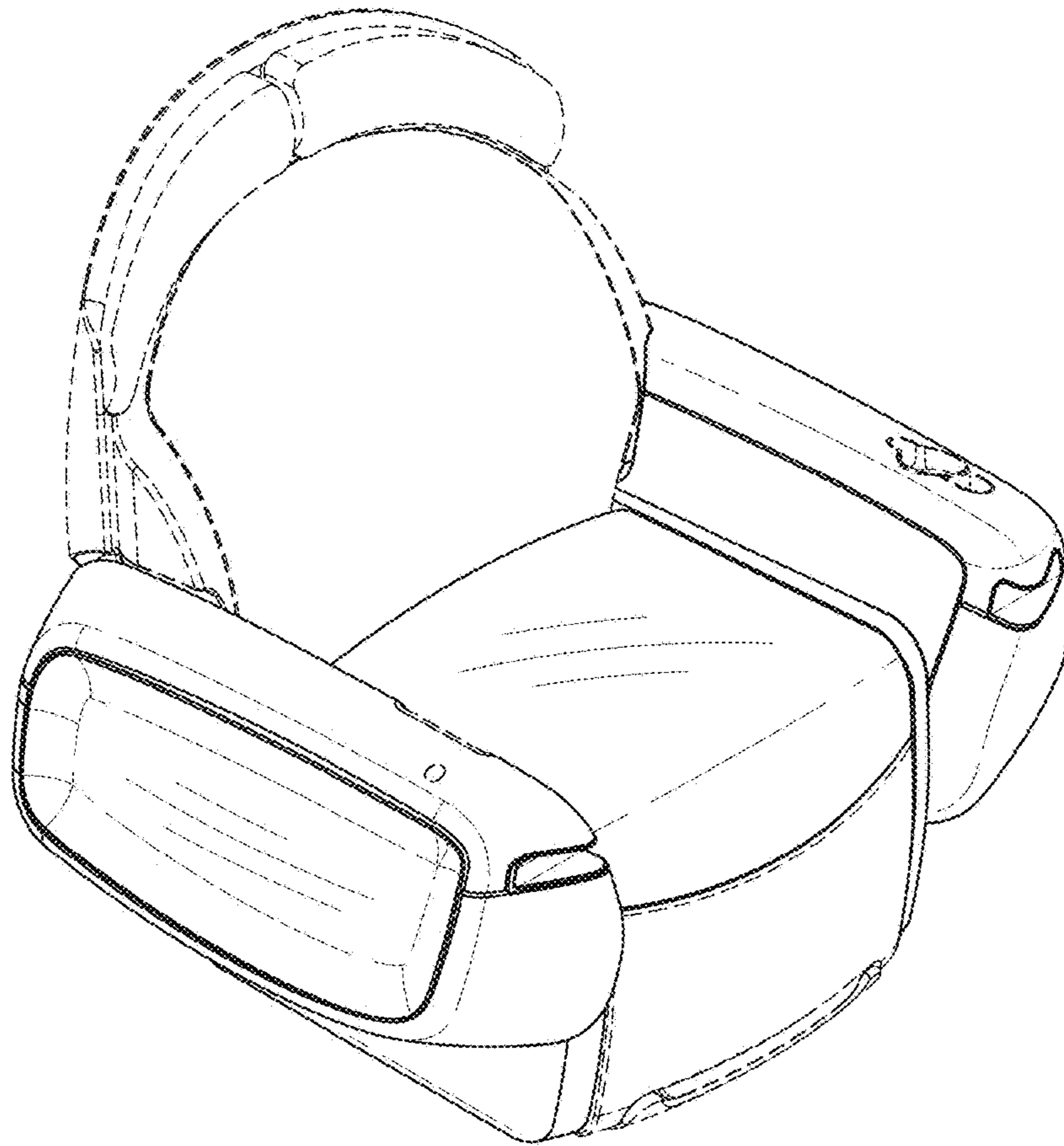


FIG. 1

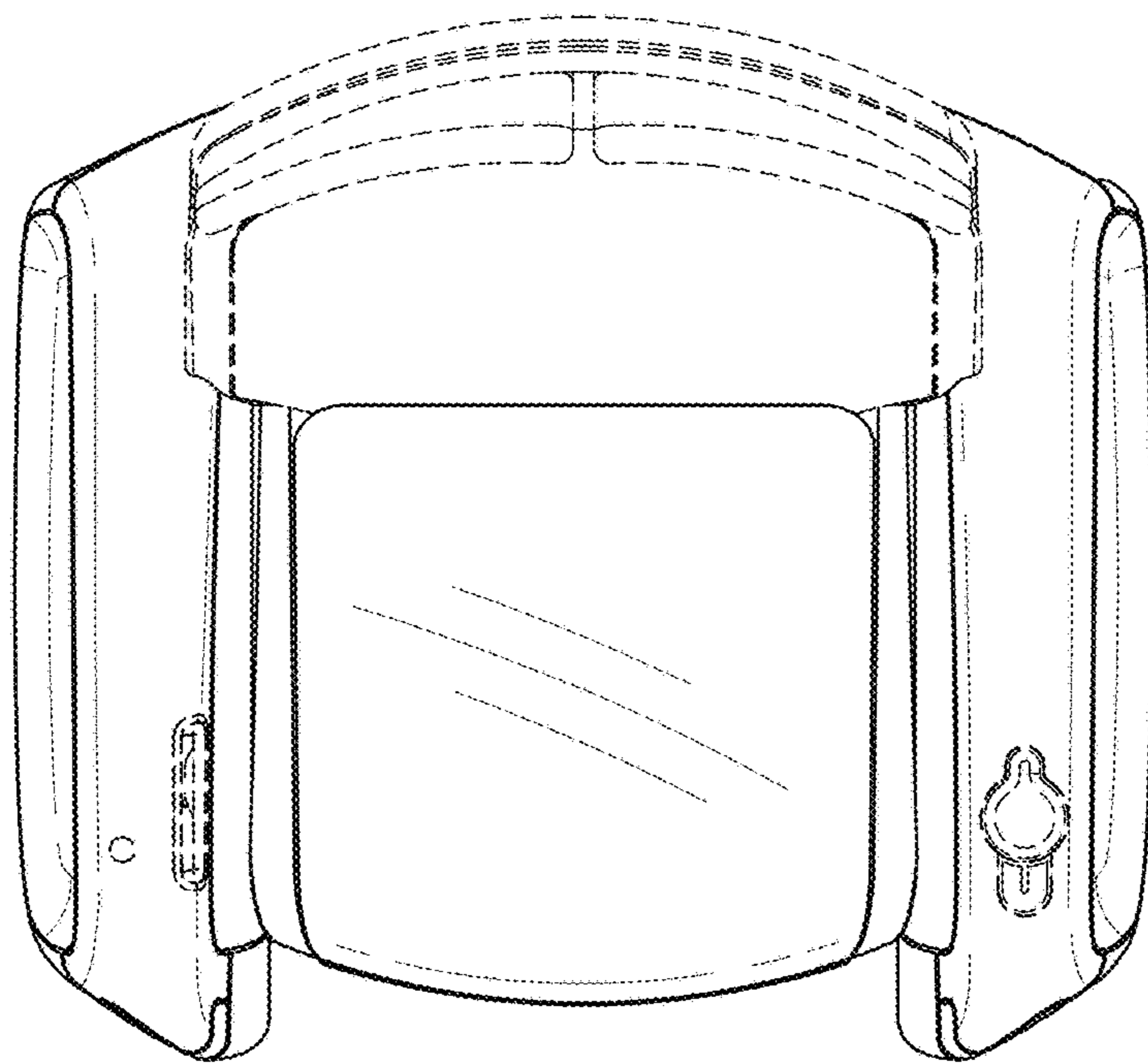


FIG. 2

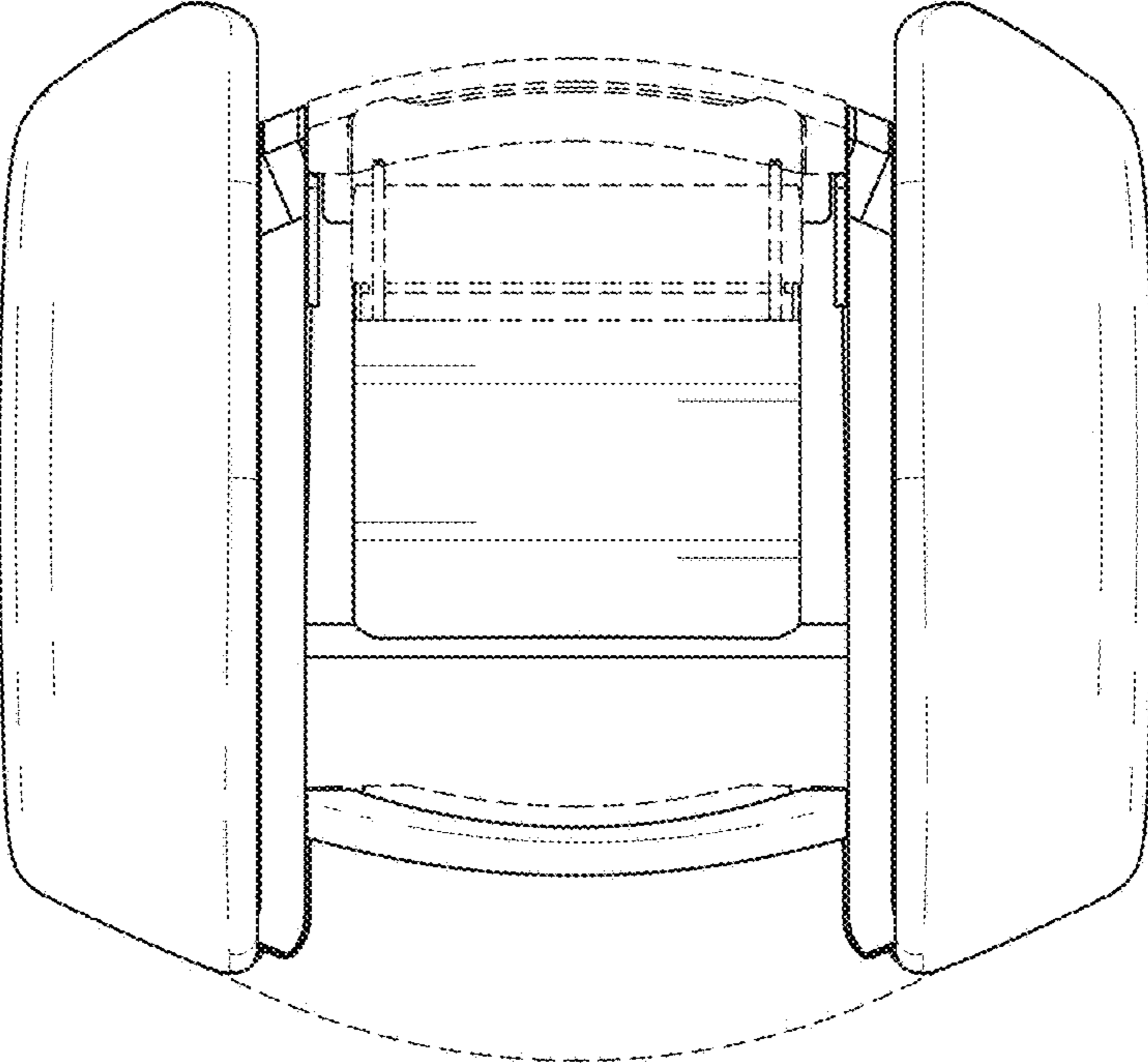


FIG. 3

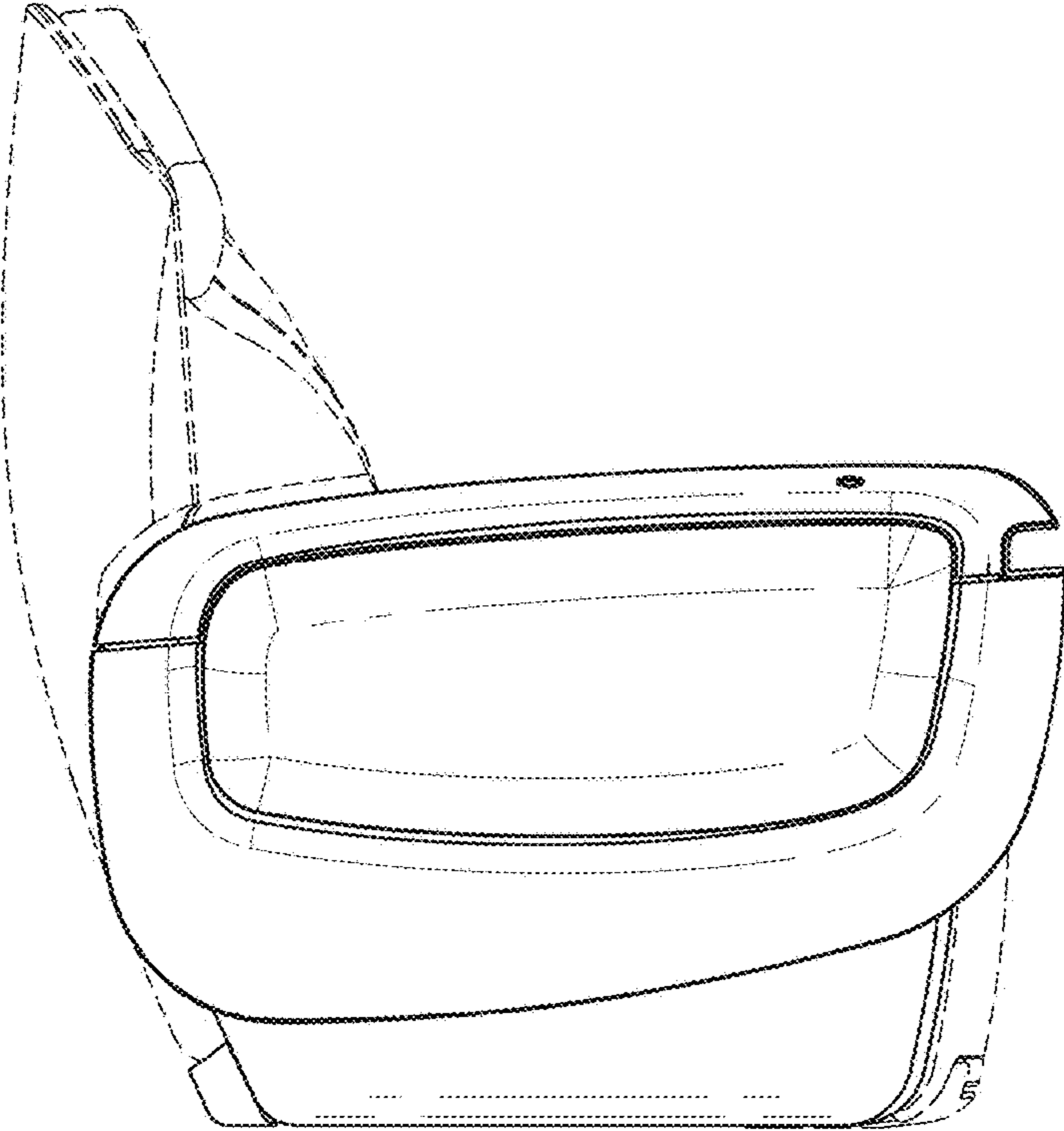


FIG. 4

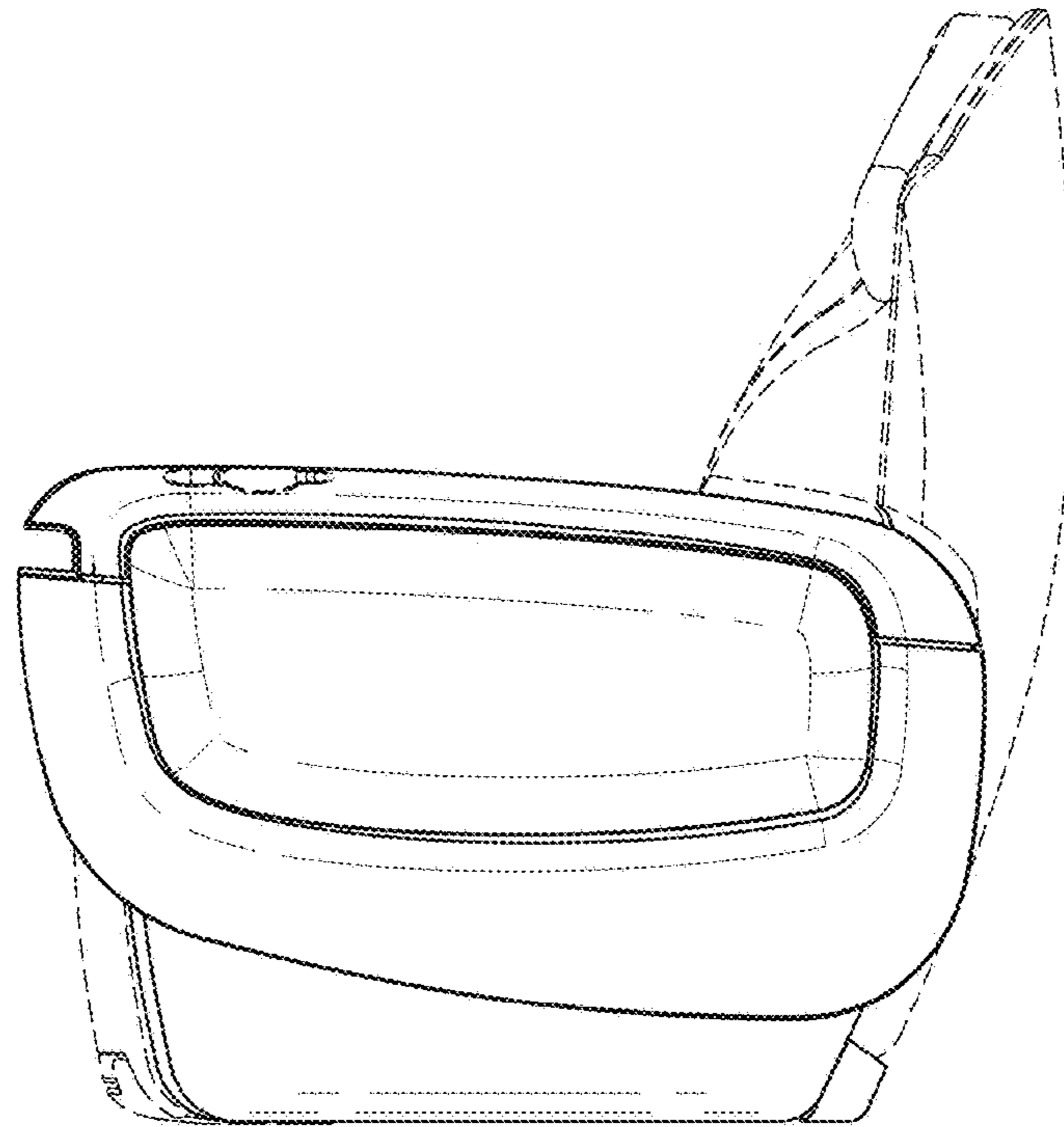


FIG. 5

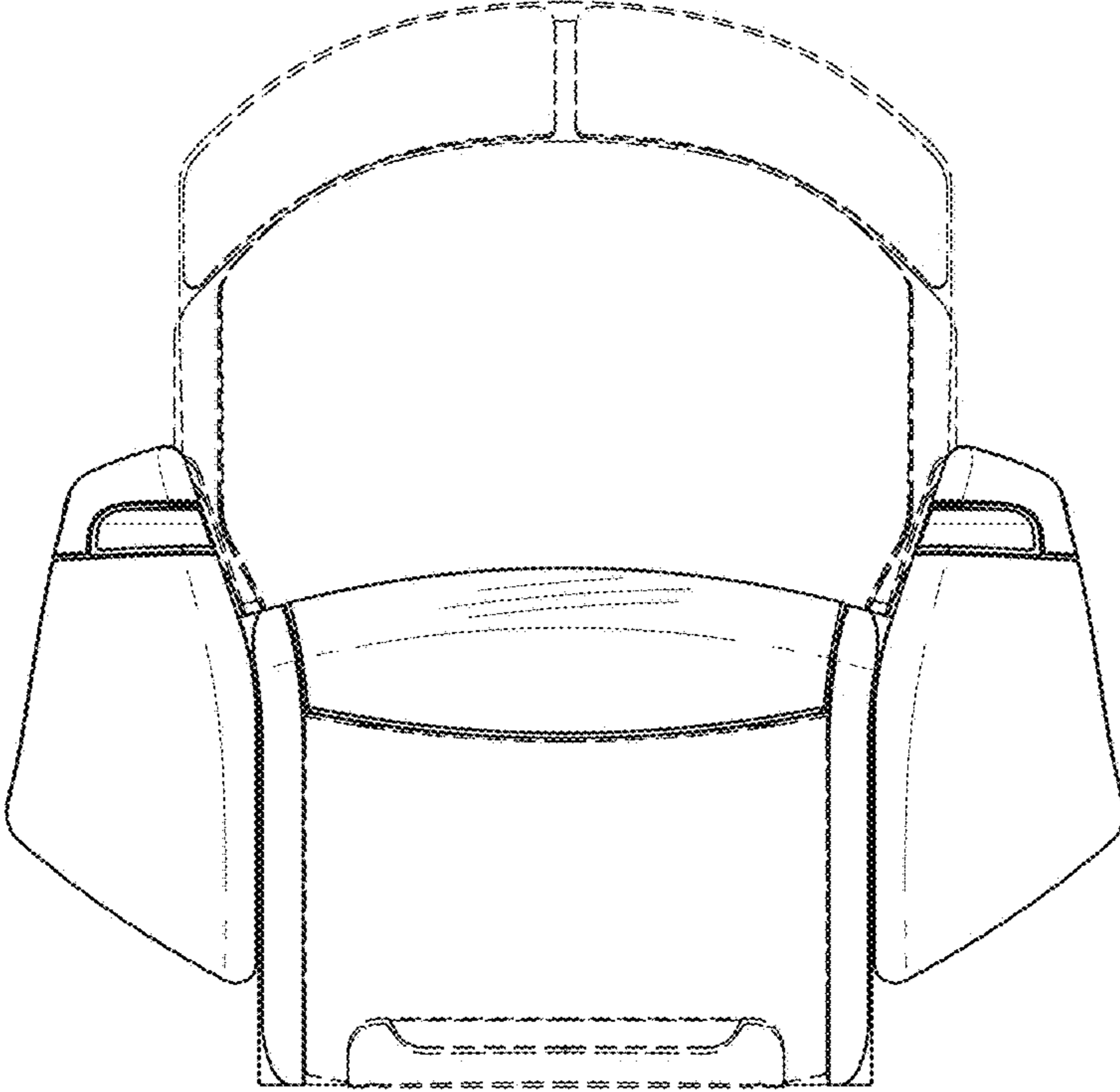


FIG. 6

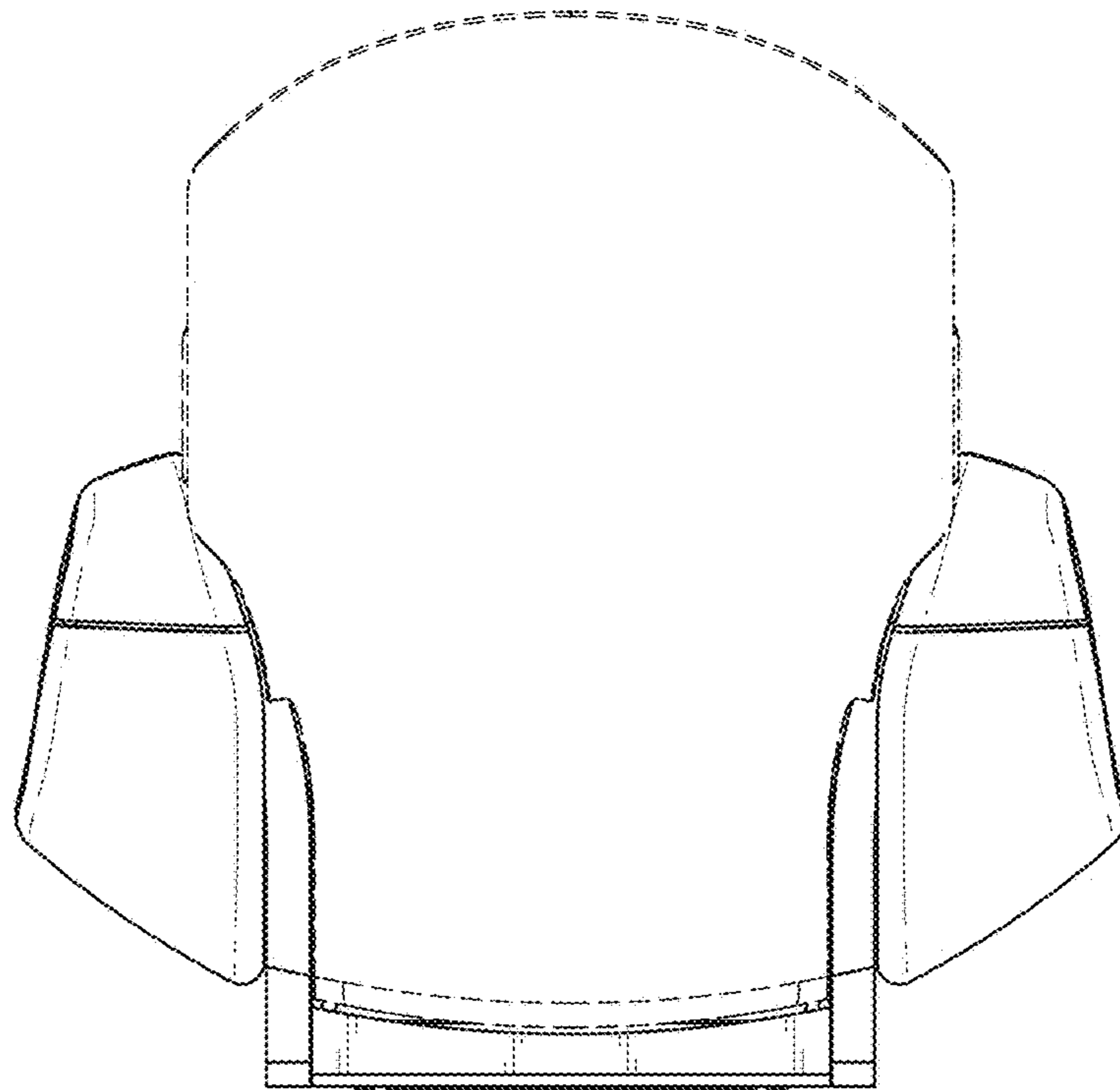


FIG. 7

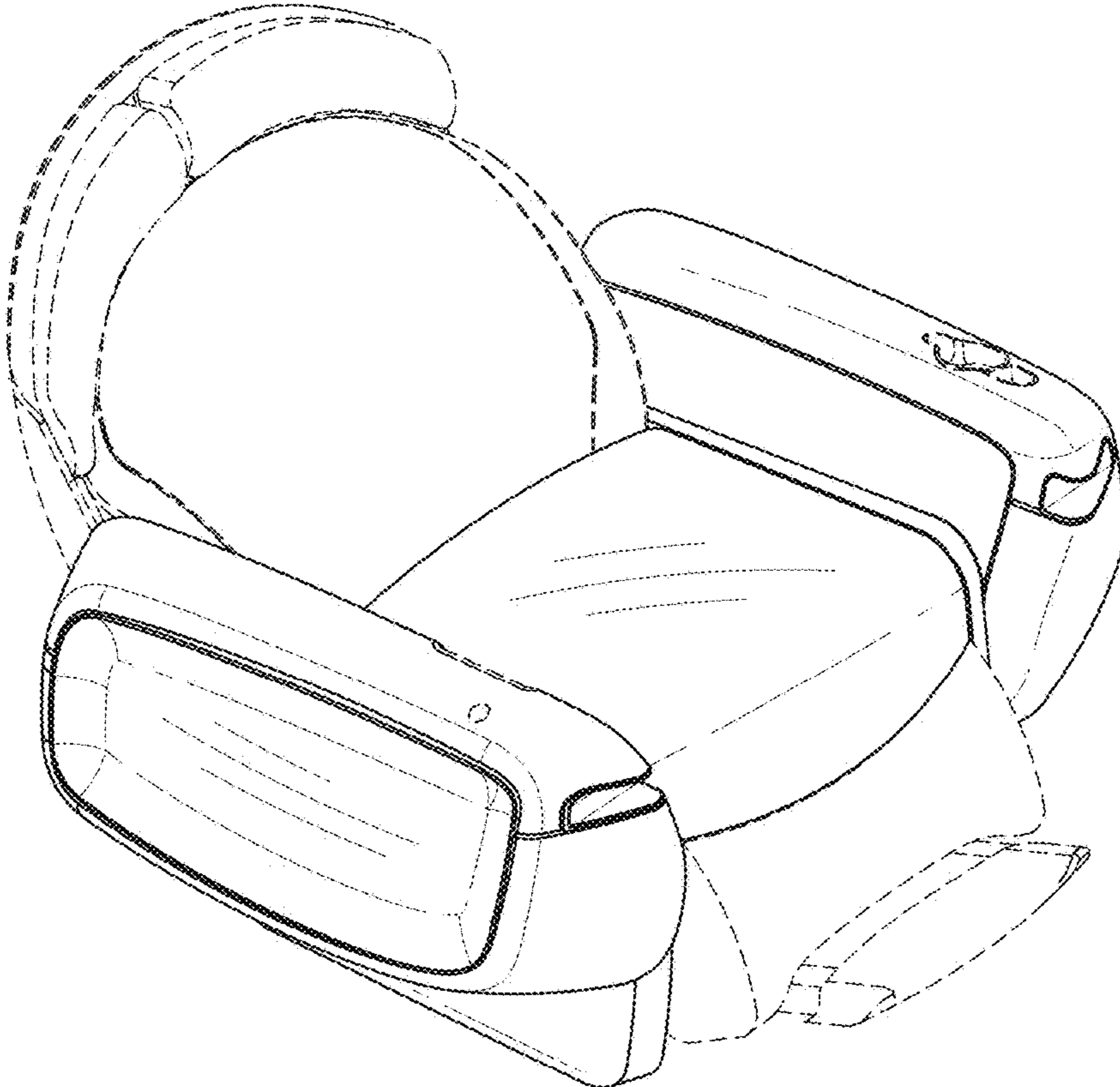


FIG. 8