

US00D840167S

(12) **United States Design Patent**  
**Nethercott**

(10) **Patent No.:** **US D840,167 S**

(45) **Date of Patent:** **\*\* Feb. 12, 2019**

- (54) **FLIPPABLE TOILET FOOTREST**
- (71) Applicant: **Squatty Potty, LLC**, St. George, UT (US)
- (72) Inventor: **Tony Nethercott**, St. George, UT (US)
- (73) Assignee: **Squatty Potty, LLC**, St. George, UT (US)
- (\*\*) Term: **15 Years**
- (21) Appl. No.: **29/639,959**
- (22) Filed: **Mar. 9, 2018**

**Related U.S. Application Data**

- (63) Continuation of application No. 29/627,165, filed on Nov. 22, 2017.
- (51) **LOC (11) Cl.** ..... **06-01**
- (52) **U.S. Cl.**  
USPC ..... **D6/353**
- (58) **Field of Classification Search**  
USPC ..... D6/334, 349–353, 355, 364–365, 596, D6/601, 604, 691–691.9, 692–692.6, D6/716–716.1  
CPC ..... A47C 16/00; A47C 16/02–16/04; A47C 13/00; A47C 11/00; A47C 12/00; A47K 17/02; A47K 17/028; A47B 7/00–7/02  
See application file for complete search history.

(56) **References Cited**

**U.S. PATENT DOCUMENTS**

- 2,023,901 A \* 12/1935 Rhodes ..... A47K 17/028 4/254
- D268,796 S \* 5/1983 Kola ..... D6/349
- 6,966,404 B2 \* 11/2005 Meeker ..... A47C 12/02 108/132
- 7,097,241 B2 \* 8/2006 Tally ..... A47C 12/00 16/43
- D738,126 S \* 9/2015 Edwards ..... D6/349
- D766,604 S \* 9/2016 Edwards ..... A47K 17/02 D6/353

- D767,291 S \* 9/2016 Edwards ..... A47C 16/025 D6/353
- D785,956 S \* 5/2017 Stricklin ..... D6/349
- D787,845 S \* 5/2017 Edwards ..... D6/353
- D797,466 S \* 9/2017 Zioni ..... D6/353

(Continued)

**OTHER PUBLICATIONS**

Bamboo Flip Toilet Stool. [online] Retrieved Aug. 1, 2018 from URL: <https://www.squattypotty.com/shop/poop-better/bamboo-flip/>.\*

*Primary Examiner* — Vy N Koenig

(74) *Attorney, Agent, or Firm* — Gurr Brande & Spendlove, PLLC; Robert A. Gurr

(57) **CLAIM**

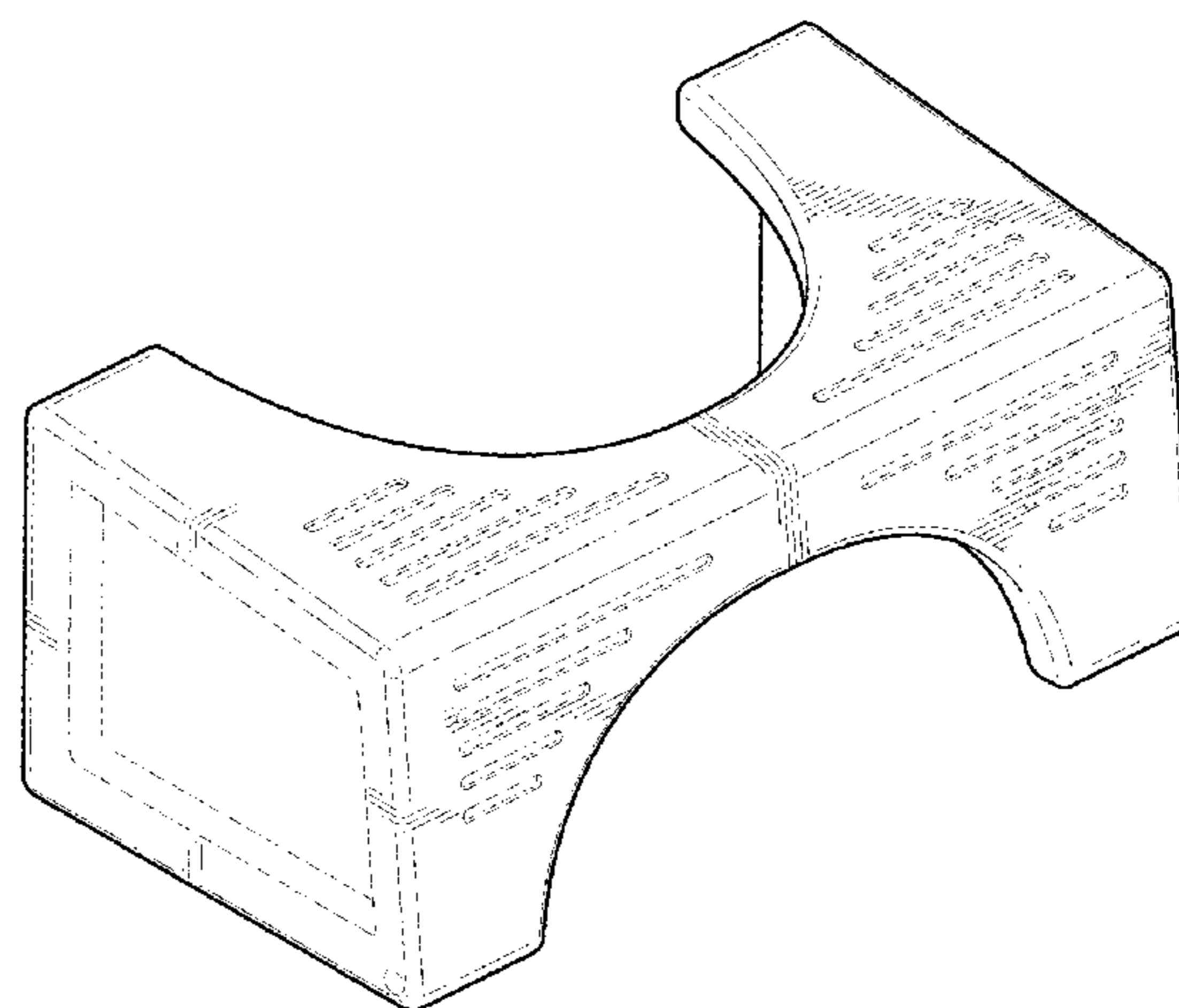
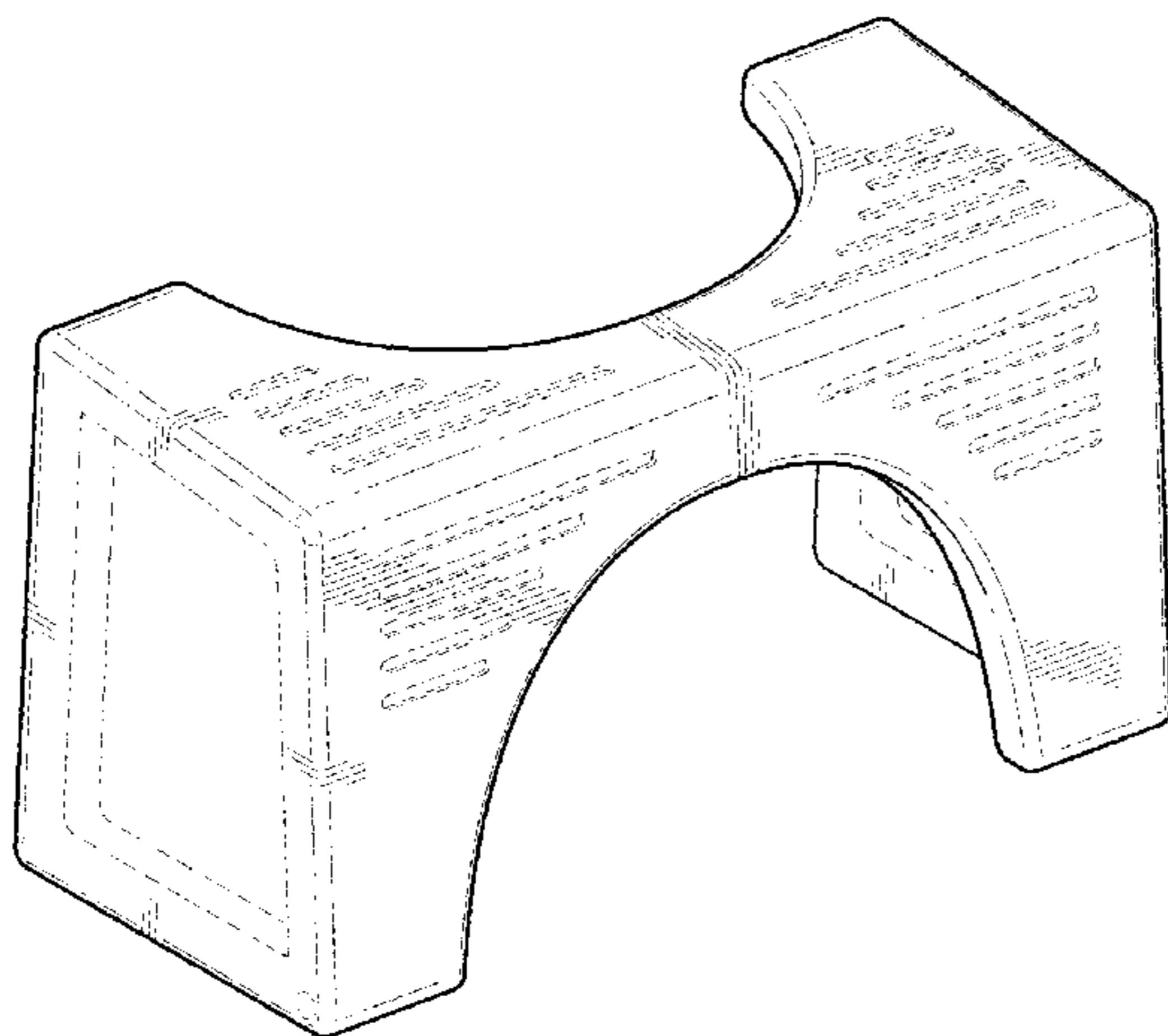
The ornamental design for a flippable toilet footrest, as shown and described.

**DESCRIPTION**

FIG. 1 is a front perspective view of the flippable toilet footrest in a first position;  
 FIG. 2 is a front perspective view of the flippable toilet footrest in a second position;  
 FIG. 3 is a front elevation view of the flippable toilet footrest in a first position;  
 FIG. 4 is a front elevation view of the flippable toilet footrest in a second position;  
 FIG. 5 is a rear elevation view of the flippable toilet footrest in a first position;  
 FIG. 6 is a rear elevation view of the flippable toilet footrest in a second position; and,  
 FIG. 7 is a side view of the flippable toilet footrest in a first position, with the opposite side view being a mirror image thereof.

The broken lines shown in the drawings are for the purpose of illustrating portions of the article that form no part of the claimed design.

**1 Claim, 4 Drawing Sheets**



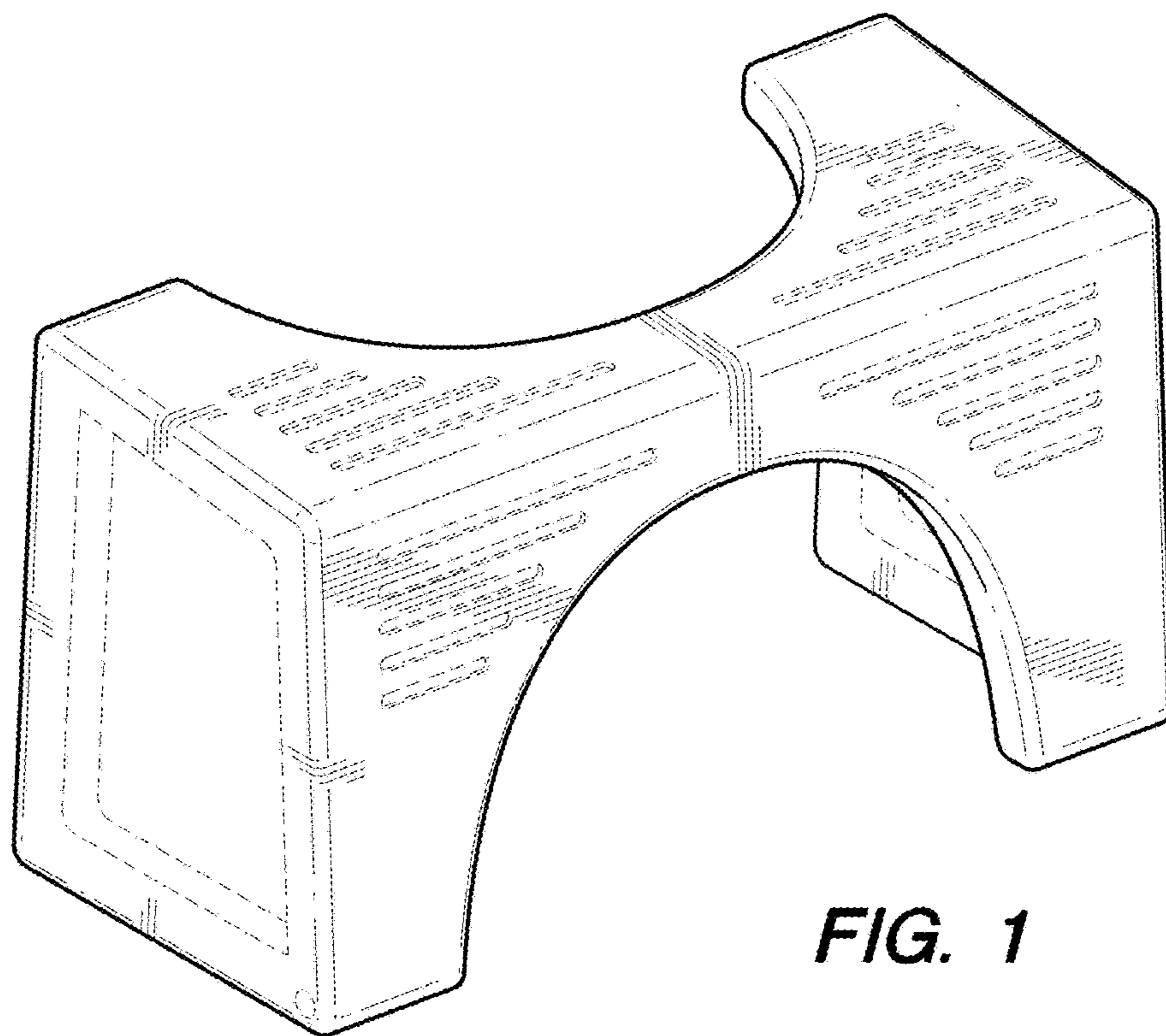
(56)

**References Cited**

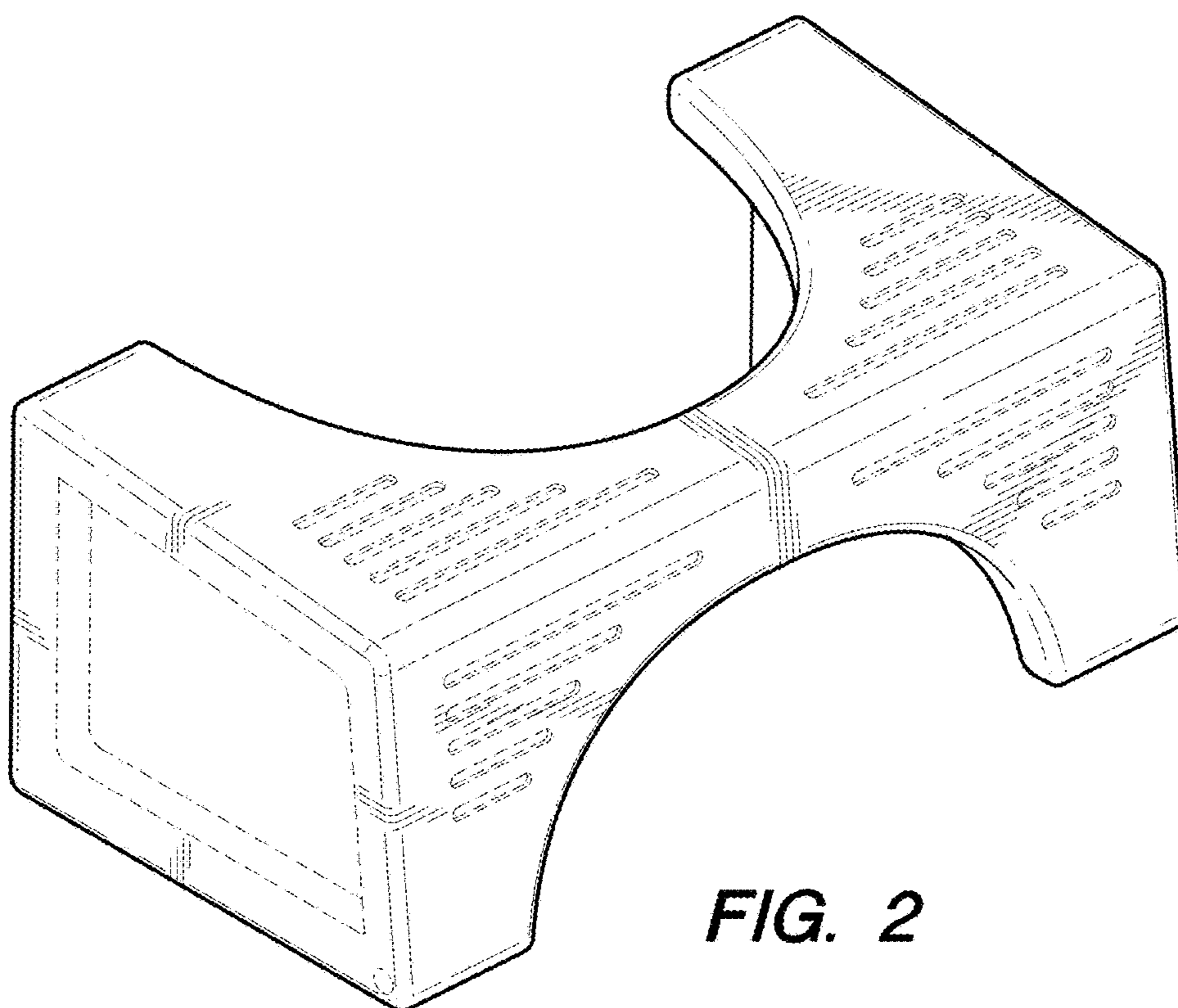
U.S. PATENT DOCUMENTS

D802,311 S \* 11/2017 Stricklin ..... D6/349  
D813,560 S \* 3/2018 Zioni ..... D6/353  
2014/0123376 A1\* 5/2014 Edwards ..... A47K 17/028  
4/254

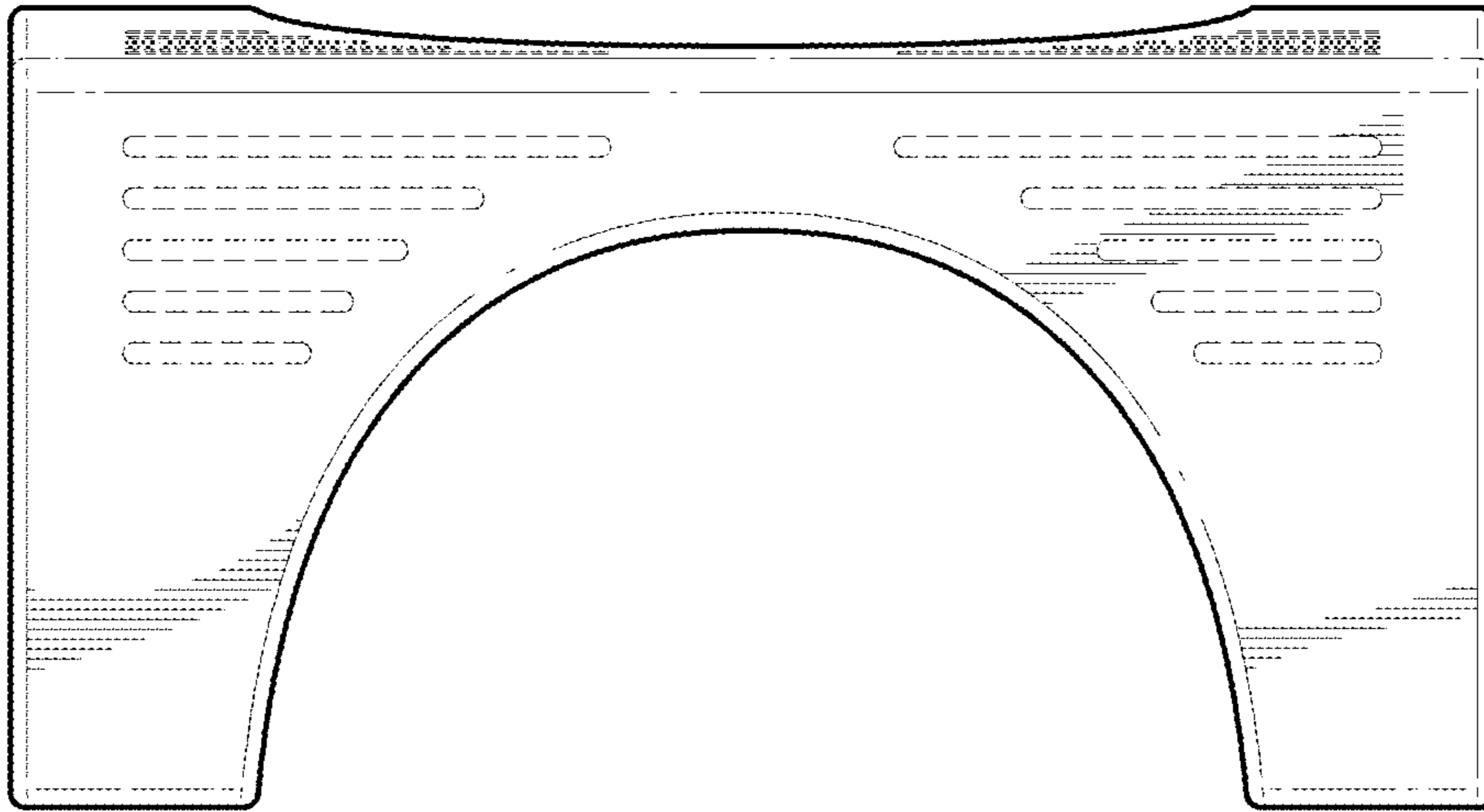
\* cited by examiner



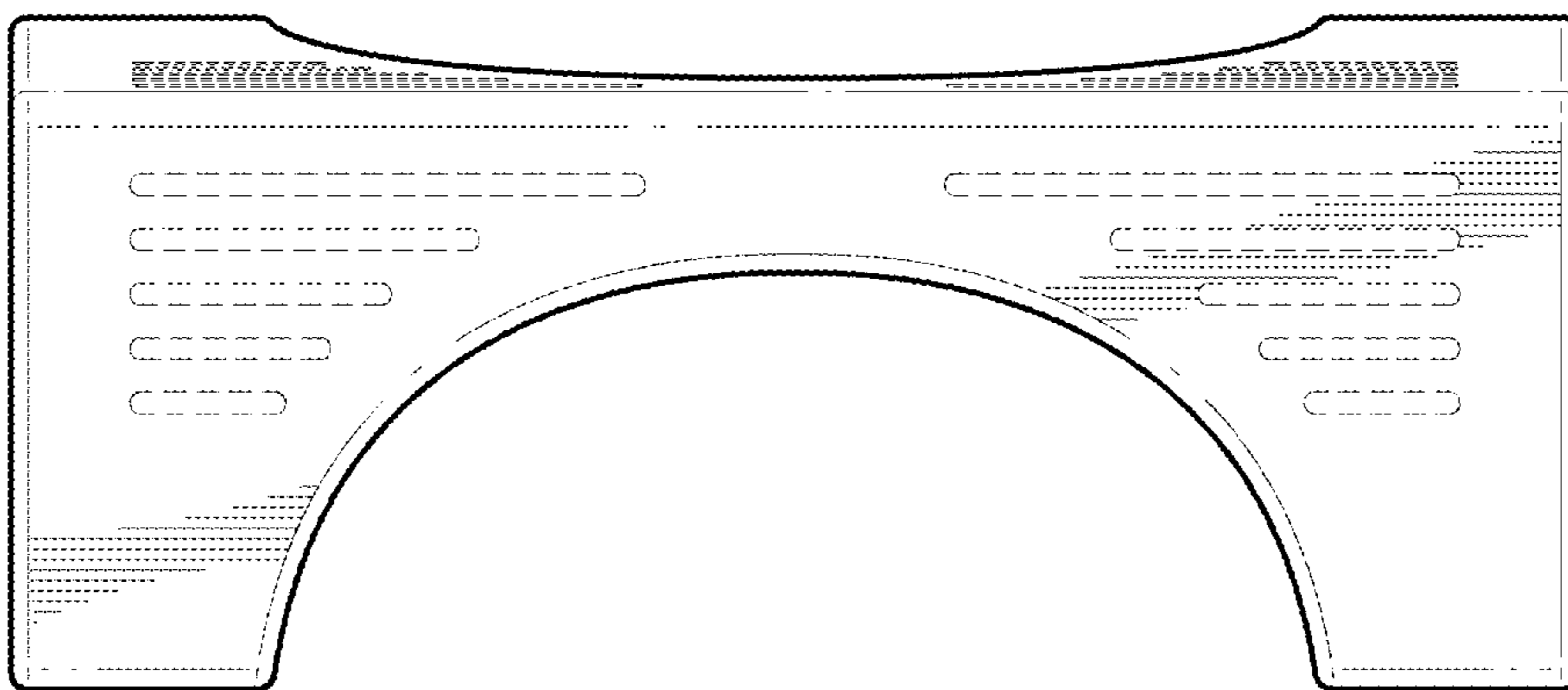
**FIG. 1**



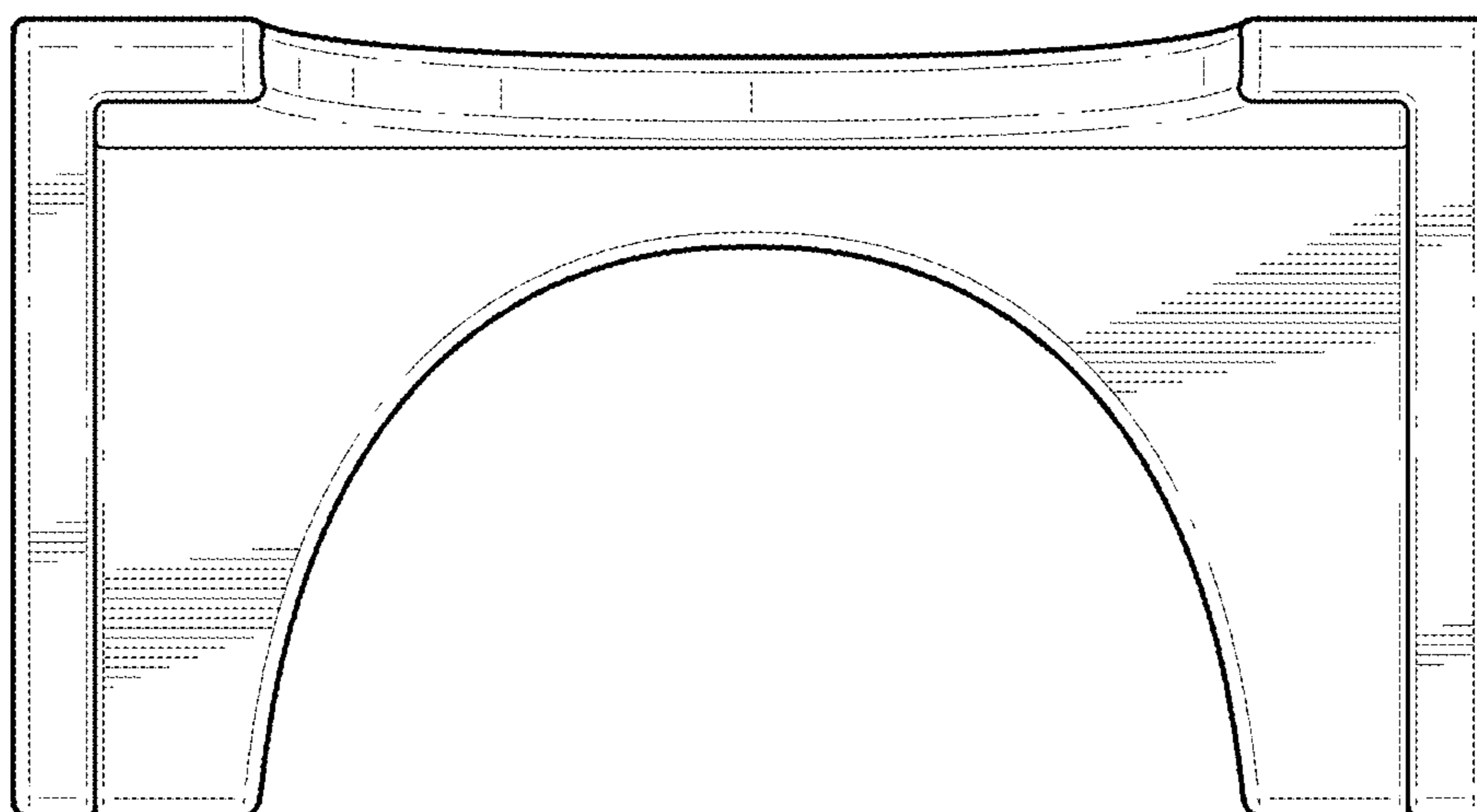
**FIG. 2**



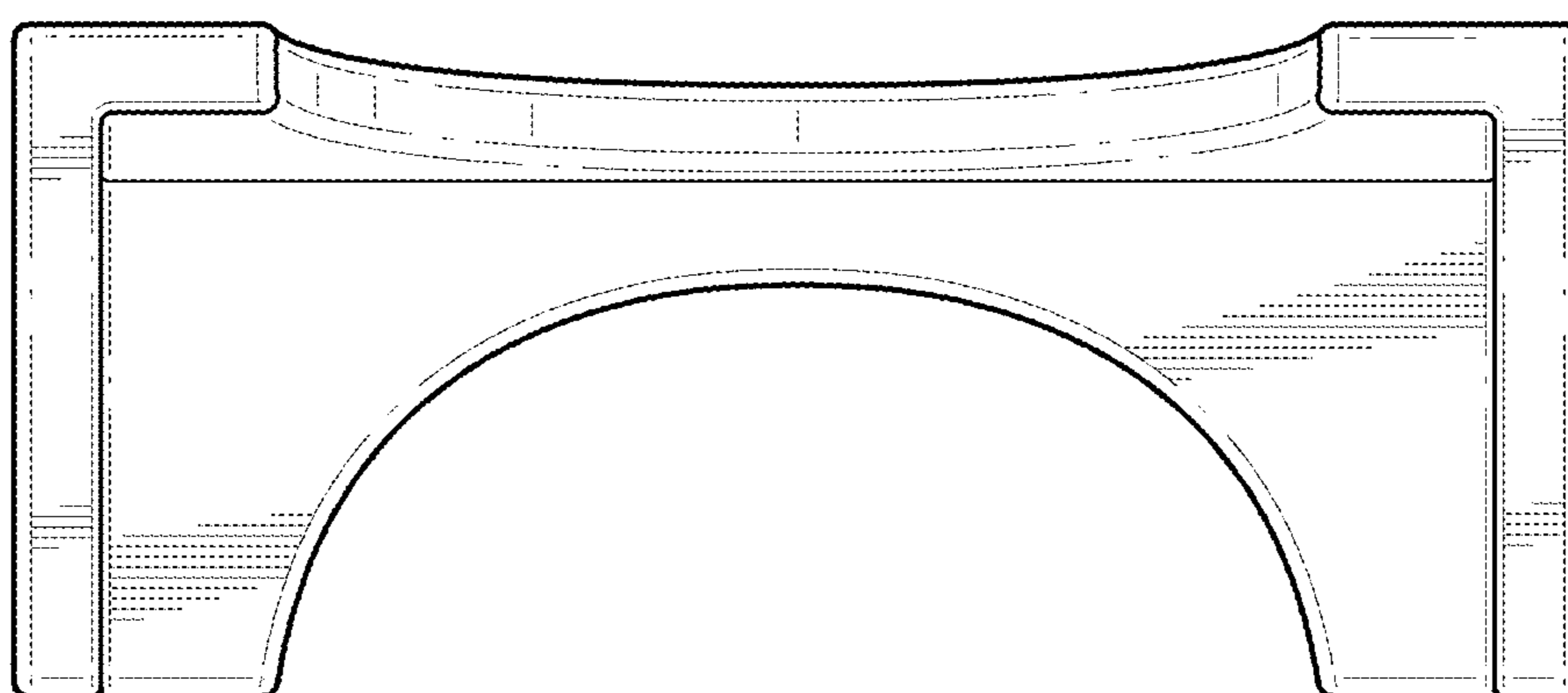
**FIG. 3**



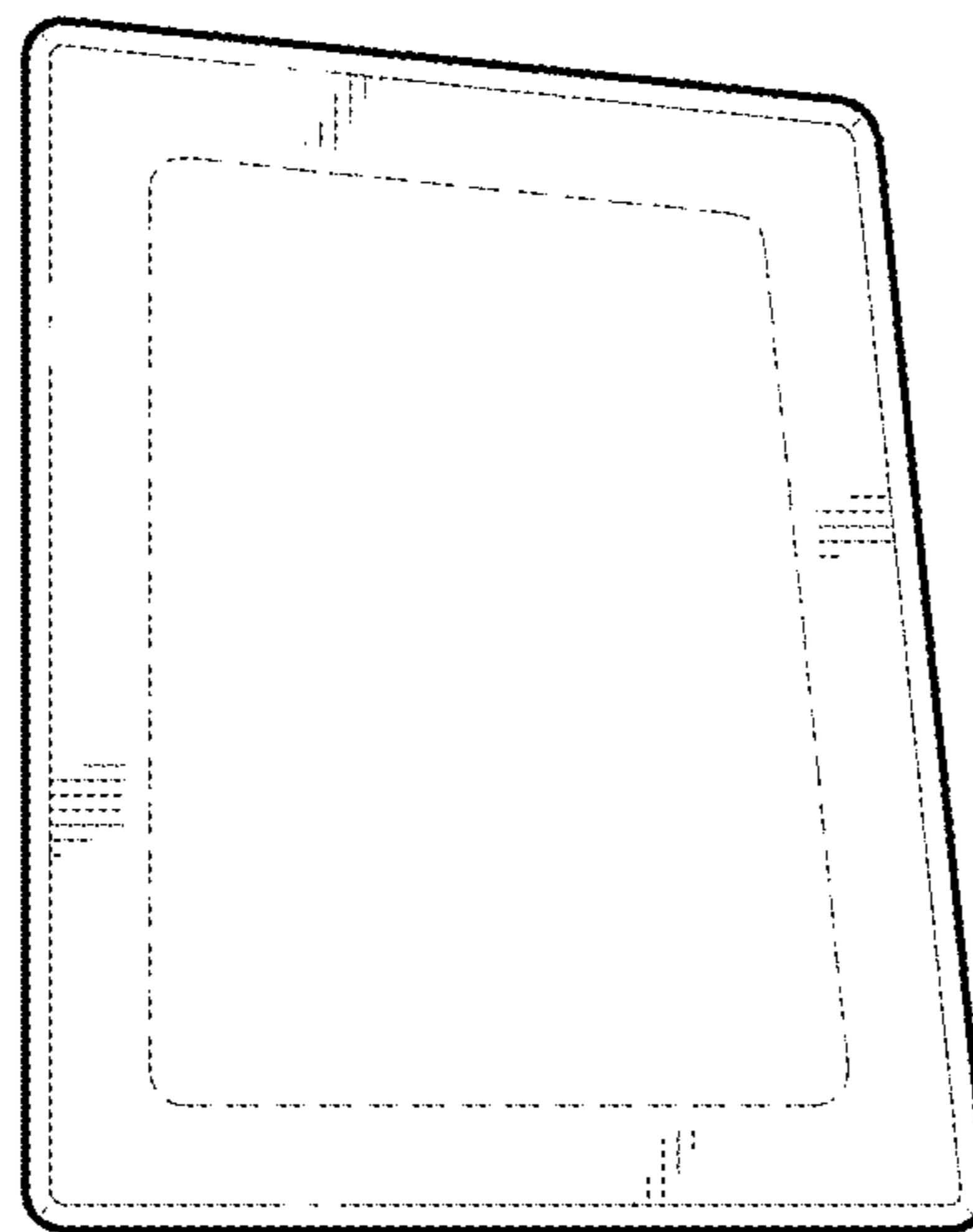
**FIG. 4**



**FIG. 5**



**FIG. 6**



**FIG. 7**