



US00D840166S

(12) **United States Design Patent**
Nethercott

(10) **Patent No.:** **US D840,166 S**

(45) **Date of Patent:** **** Feb. 12, 2019**

(54) **FLIPPABLE TOILET FOOTREST**

(71) Applicant: **Squatty Potty, LLC**, St. George, UT (US)

(72) Inventor: **Tony Nethercott**, St. George, UT (US)

(73) Assignee: **Squatty Potty, LLC**, St. George, UT (US)

(**) Term: **15 Years**

(21) Appl. No.: **29/627,165**

(22) Filed: **Nov. 22, 2017**

(51) **LOC (11) Cl.** **06-01**

(52) **U.S. Cl.**
USPC **D6/353**

(58) **Field of Classification Search**
USPC D6/334, 349-353, 355, 364-365, 596,
D6/601, 604, 691-691.9, 692-692.6,
D6/716-716.1

CPC A47C 16/00; A47C 16/02-16/04; A47C
13/00; A47C 11/00; A47C 12/00; A47C
17/02; A47K 17/028; A47B 7/00-7/02

See application file for complete search history.

(56) **References Cited**

U.S. PATENT DOCUMENTS

- 2,023,901 A * 12/1935 Rhodes A47K 17/028
4/254
- D268,796 S * 5/1983 Kola D6/349
- 6,966,404 B2 * 11/2005 Meeker A47C 12/02
108/132
- 7,097,241 B2 * 8/2006 Tally A47C 12/00
16/43
- D738,126 S * 9/2015 Edwards D6/349
- D766,604 S * 9/2016 Edwards A47K 17/02
D6/353
- D767,291 S * 9/2016 Edwards A47C 16/025
D6/353
- D785,956 S * 5/2017 Stricklin D6/349
- D787,845 S * 5/2017 Edwards D6/353

- D797,466 S * 9/2017 Zioni D6/353
- D802,311 S * 11/2017 Stricklin D6/349
- D813,560 S * 3/2018 Zioni D6/353
- 2014/0123376 A1 * 5/2014 Edwards A47K 17/028
4/254

OTHER PUBLICATIONS

Bamboo Flip Toilet Stool. [online] Retrieved Aug. 1, 2018 from URL: <https://www.squattypotty.com/shop/poop-better/bamboo-flip/>.

* cited by examiner

Primary Examiner — Vy N Koenig

(74) *Attorney, Agent, or Firm* — Gurr Brande & Spendlove, PLLC; Robert A. Gurr

(57) **CLAIM**

The ornamental design for a flippable toilet footrest, as shown and described.

DESCRIPTION

FIG. 1 is a front perspective view of the flippable toilet footrest in a first position;

FIG. 2 is a front perspective view of the flippable toilet footrest in a second position;

FIG. 3 is a front elevation view of the flippable toilet footrest in a first position;

FIG. 4 is a front elevation view of the flippable toilet footrest in a second position;

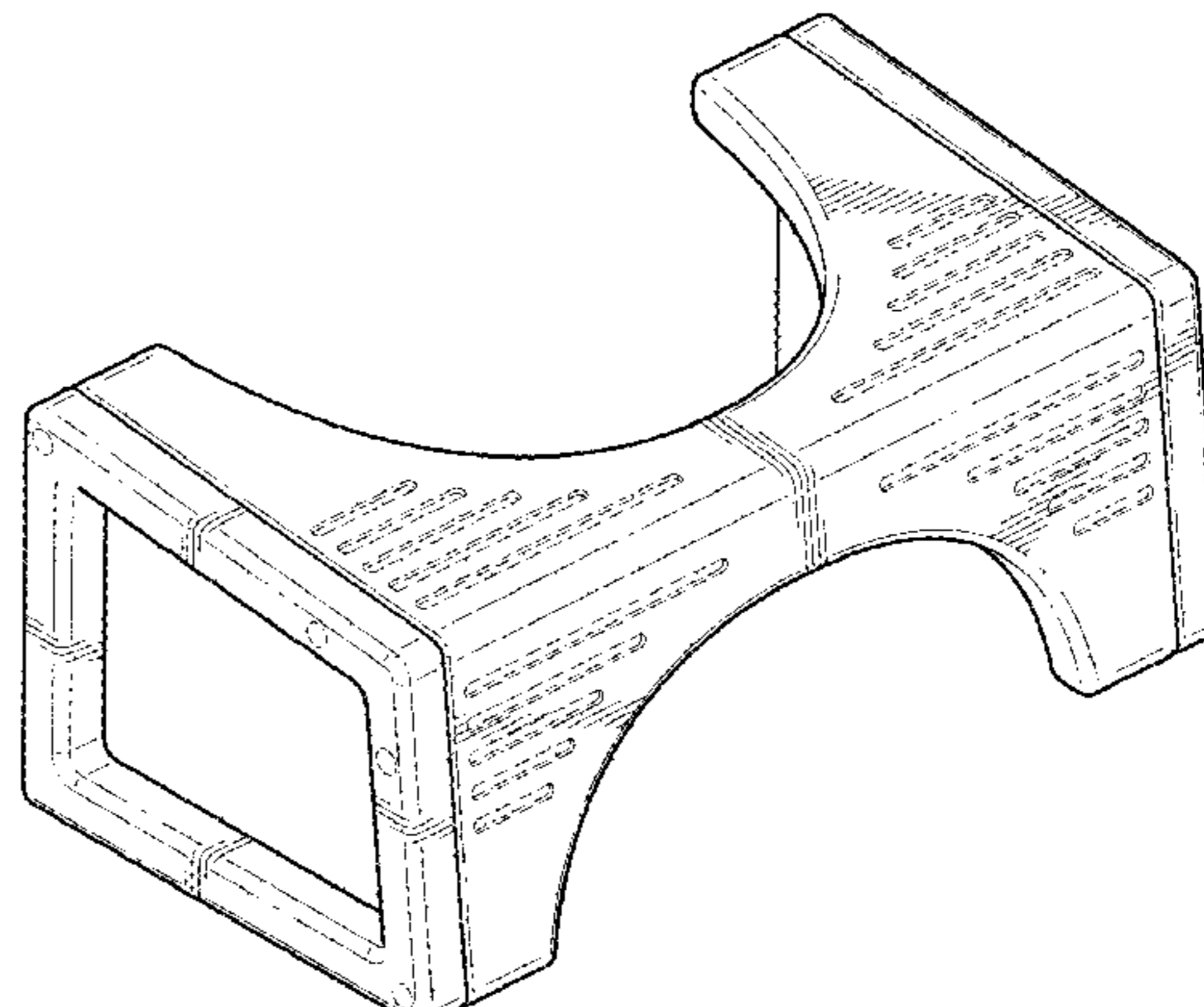
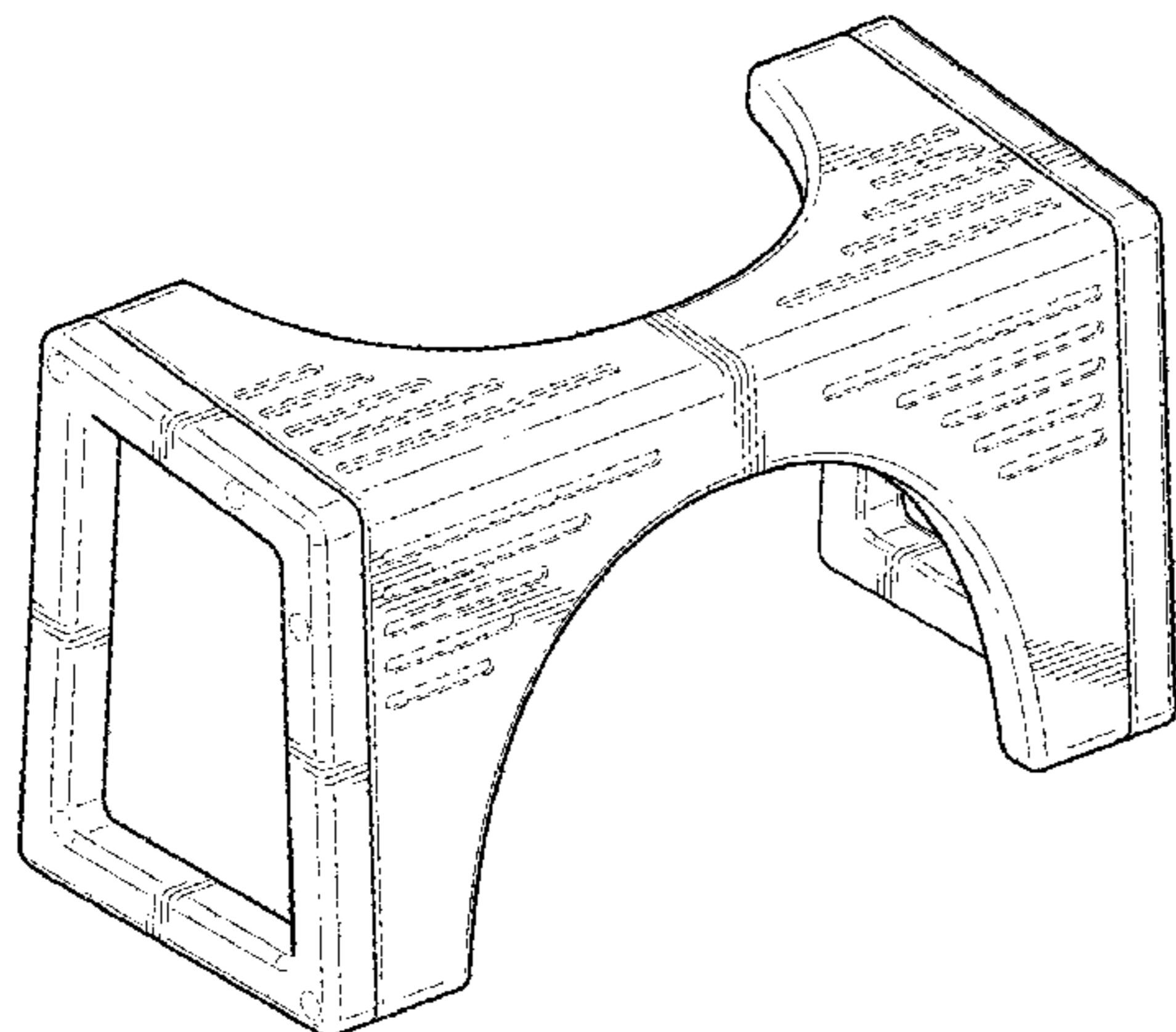
FIG. 5 is a rear elevation view of the flippable toilet footrest in a first position;

FIG. 6 is a rear elevation view of the flippable toilet footrest in a second position; and,

FIG. 7 is a side view of the flippable toilet footrest in a first position, with the opposite side view being a mirror image thereof.

The broken lines shown in the drawings are for the purpose of illustrating portions of the article that form no part of the claimed design.

1 Claim, 4 Drawing Sheets



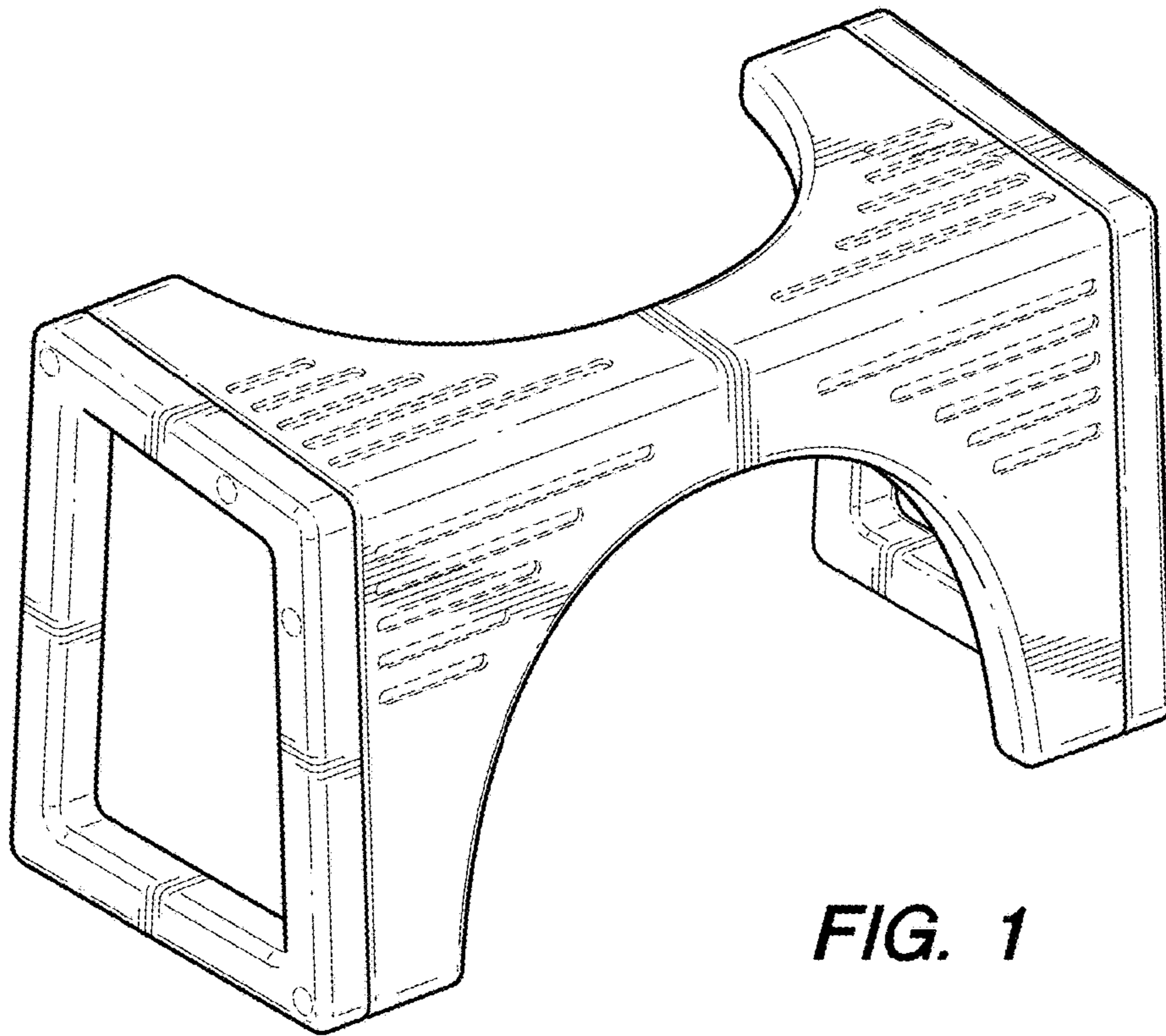


FIG. 1

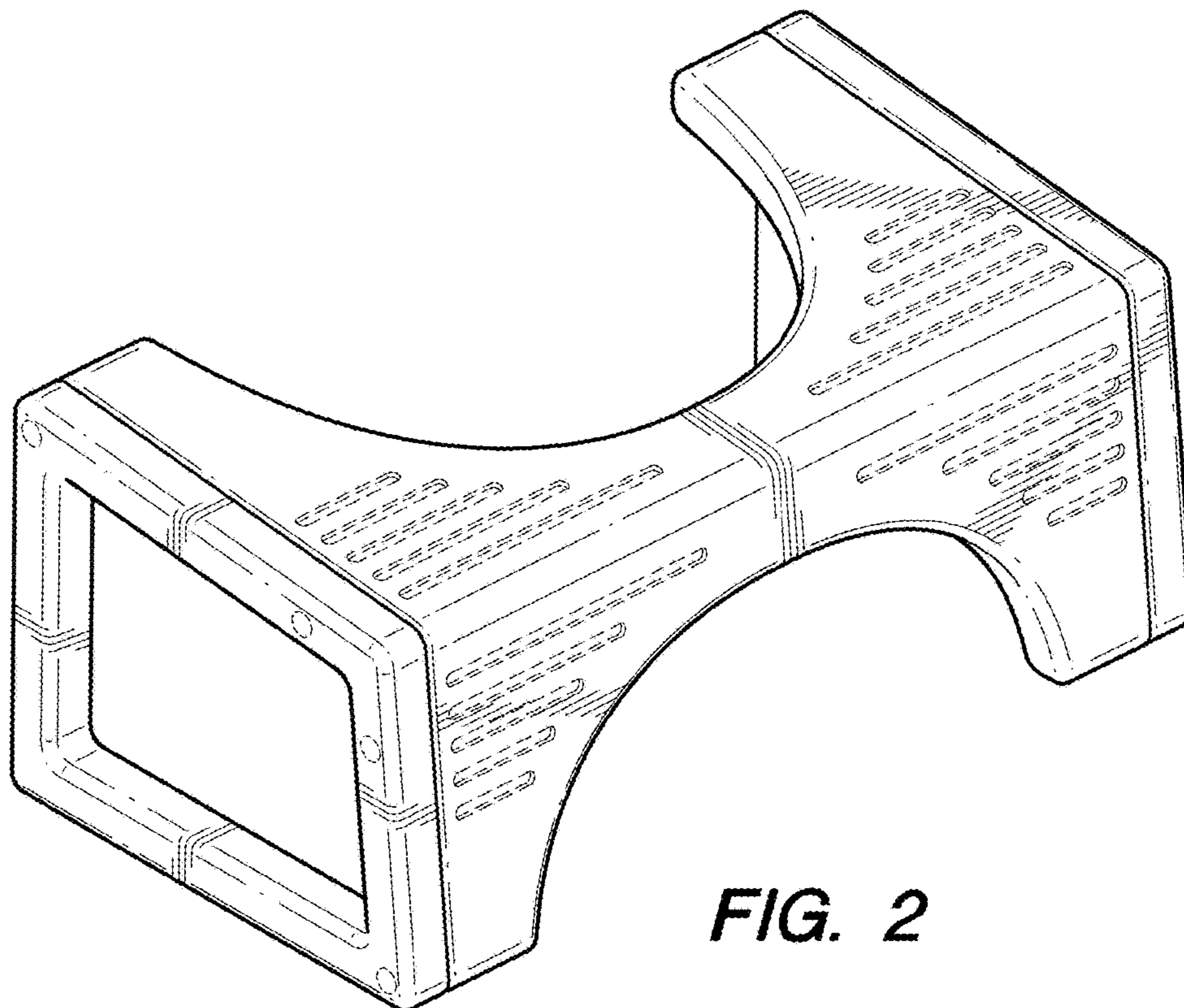


FIG. 2

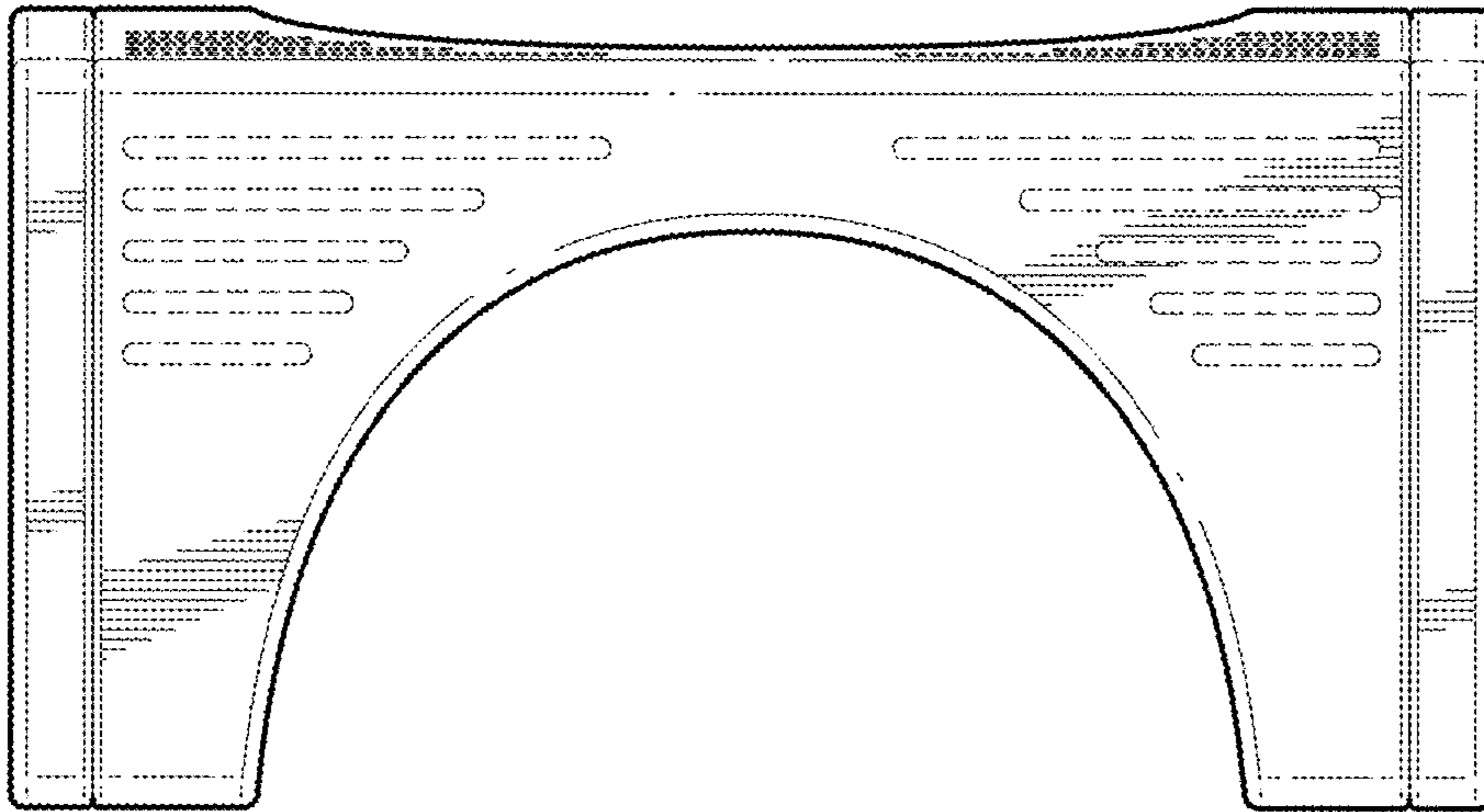


FIG. 3

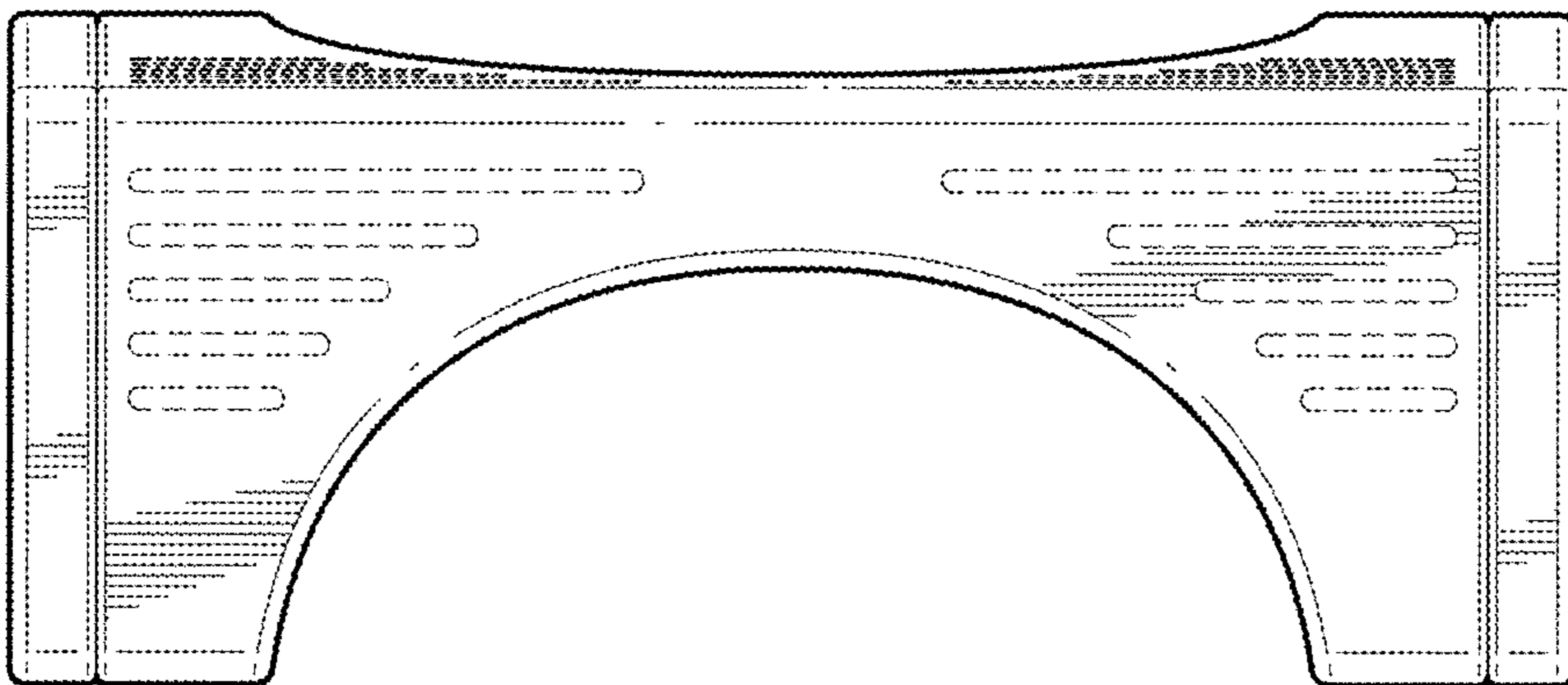


FIG. 4

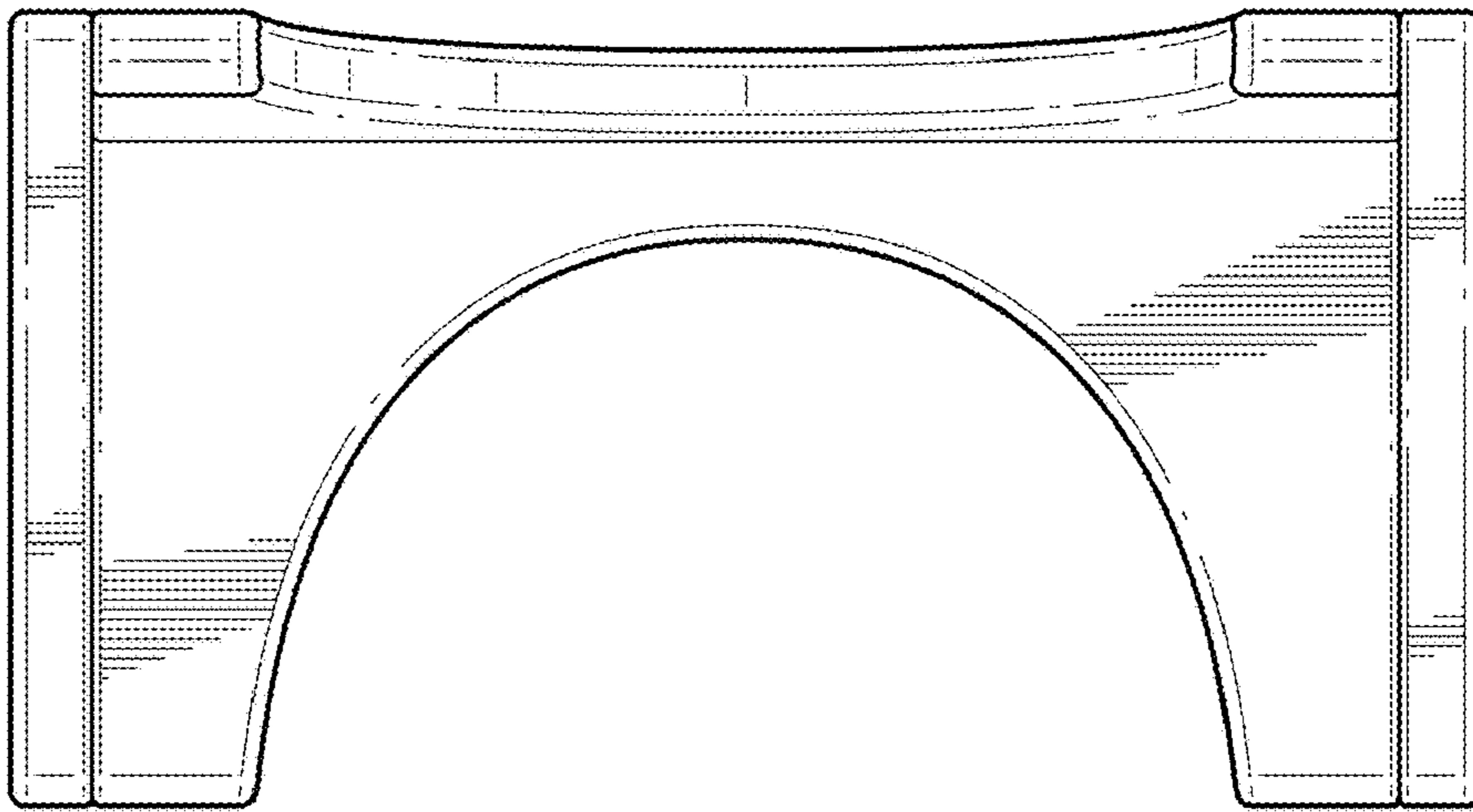


FIG. 5

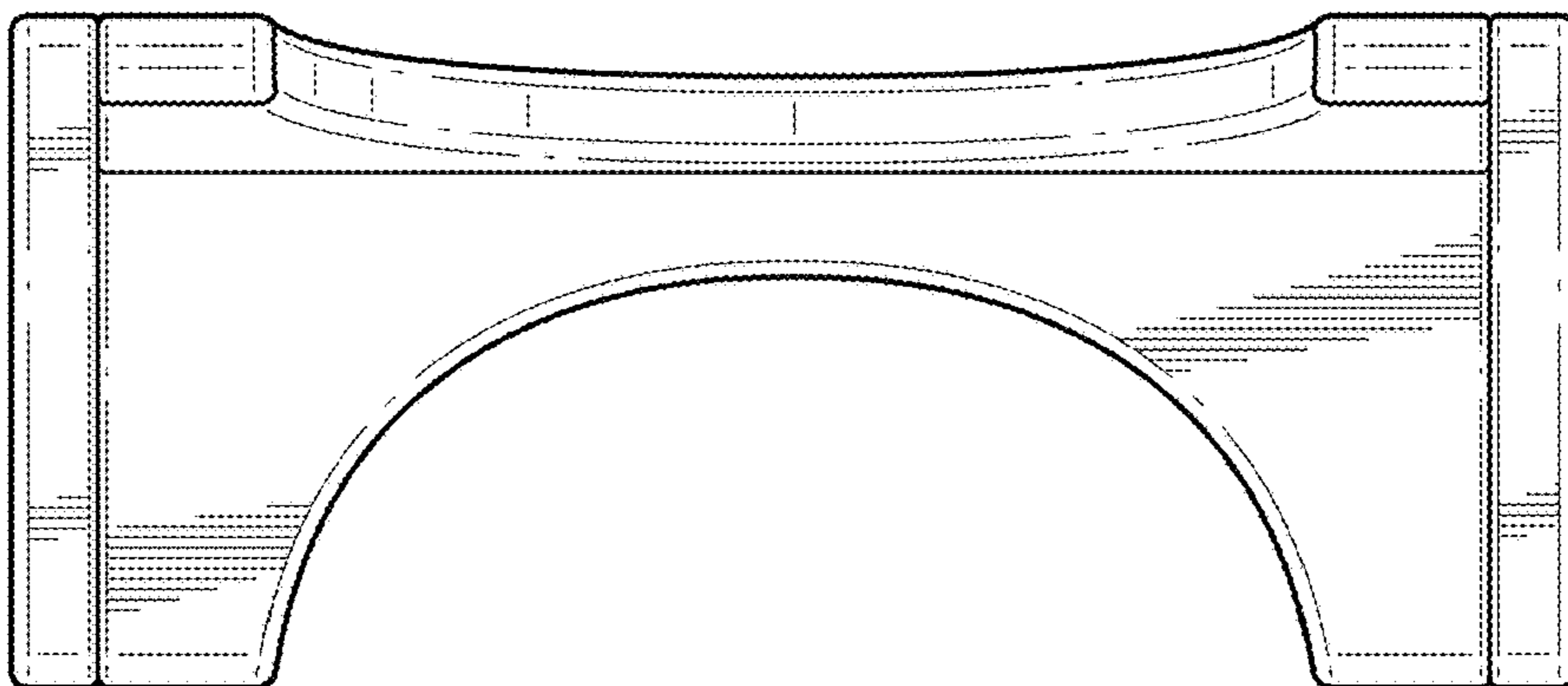


FIG. 6

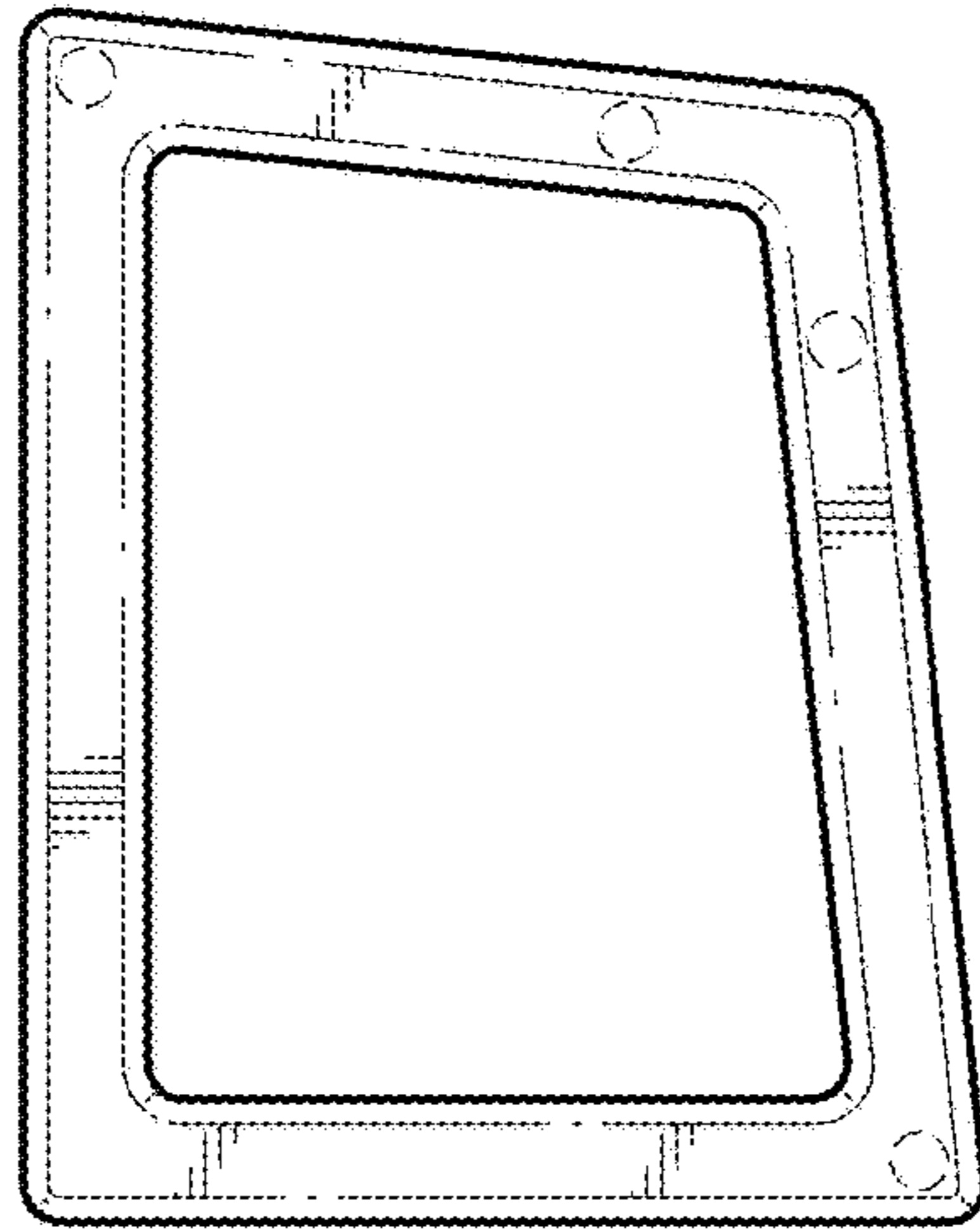


FIG. 7