



US00D840164S

(12) **United States Design Patent**  
**Citterio**

(10) **Patent No.:** **US D840,164 S**

(45) **Date of Patent:** **\*\* Feb. 12, 2019**

(54) **ARMCHAIR**

(71) Applicant: **B&B ITALIA S.p.A.**, Milan (IT)

(72) Inventor: **Antonio Citterio**, Milan (IT)

(73) Assignee: **B&B ITALIA S.p.A.**, Milan (IT)

(\*\*) Term: **15 Years**

(21) Appl. No.: **29/580,498**

(22) Filed: **Oct. 10, 2016**

(30) **Foreign Application Priority Data**

Apr. 11, 2016 (IT) ..... 402016000037016

(51) **LOC (11) Cl.** ..... **06-01**

(52) **U.S. Cl.**  
USPC ..... **D6/334**

(58) **Field of Classification Search**  
USPC ..... D6/334, 335, 336, 360, 361, 367, 368,  
D6/371-375, 379-381, 716, 716.1-716.8  
CPC .... A47C 7/00; A47C 7/62; A47C 7/18; A47C  
7/54; A47C 4/00; A47C 4/028; A47C  
4/28; A47C 3/16; A47C 3/04; A47C 3/12;  
A47C 1/02; A47C 1/14  
See application file for complete search history.

(56) **References Cited**

**U.S. PATENT DOCUMENTS**

D439,752 S *	4/2001	Natuzzi	.....	D6/334
D501,744 S *	2/2005	Vanderbloemen	.....	D6/716.2
D506,092 S *	6/2005	Moser	.....	D6/716.2
D541,544 S *	5/2007	White, III	.....	D6/369
D603,613 S *	11/2009	Wilson	.....	D6/334
D664,381 S *	7/2012	Kubryk	.....	D6/366
D759,393 S *	6/2016	Hayon	.....	D6/334

D759,397 S *	6/2016	Wu	.....	D6/366
D762,407 S *	8/2016	Kubryk	.....	D6/716
D767,319 S *	9/2016	Kubryk	.....	D6/716
D789,101 S *	6/2017	Morrison	.....	D6/334
D791,492 S *	7/2017	Mann	.....	D6/334
D796,862 S *	9/2017	Martell	.....	D6/375

\* cited by examiner

*Primary Examiner* — Deanna L Pratt

(74) *Attorney, Agent, or Firm* — Thomas | Horstemeyer, LLP

(57) **CLAIM**

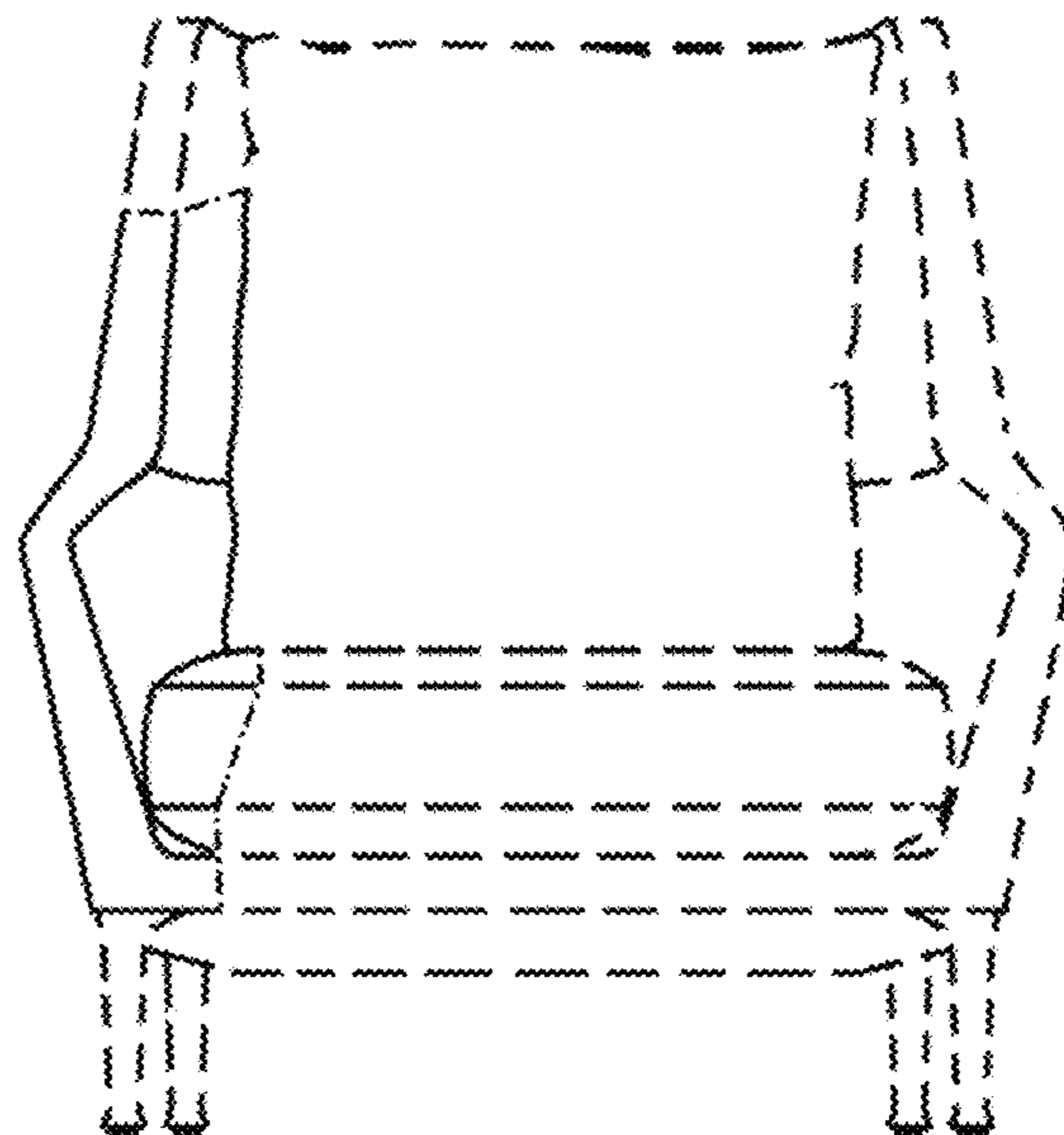
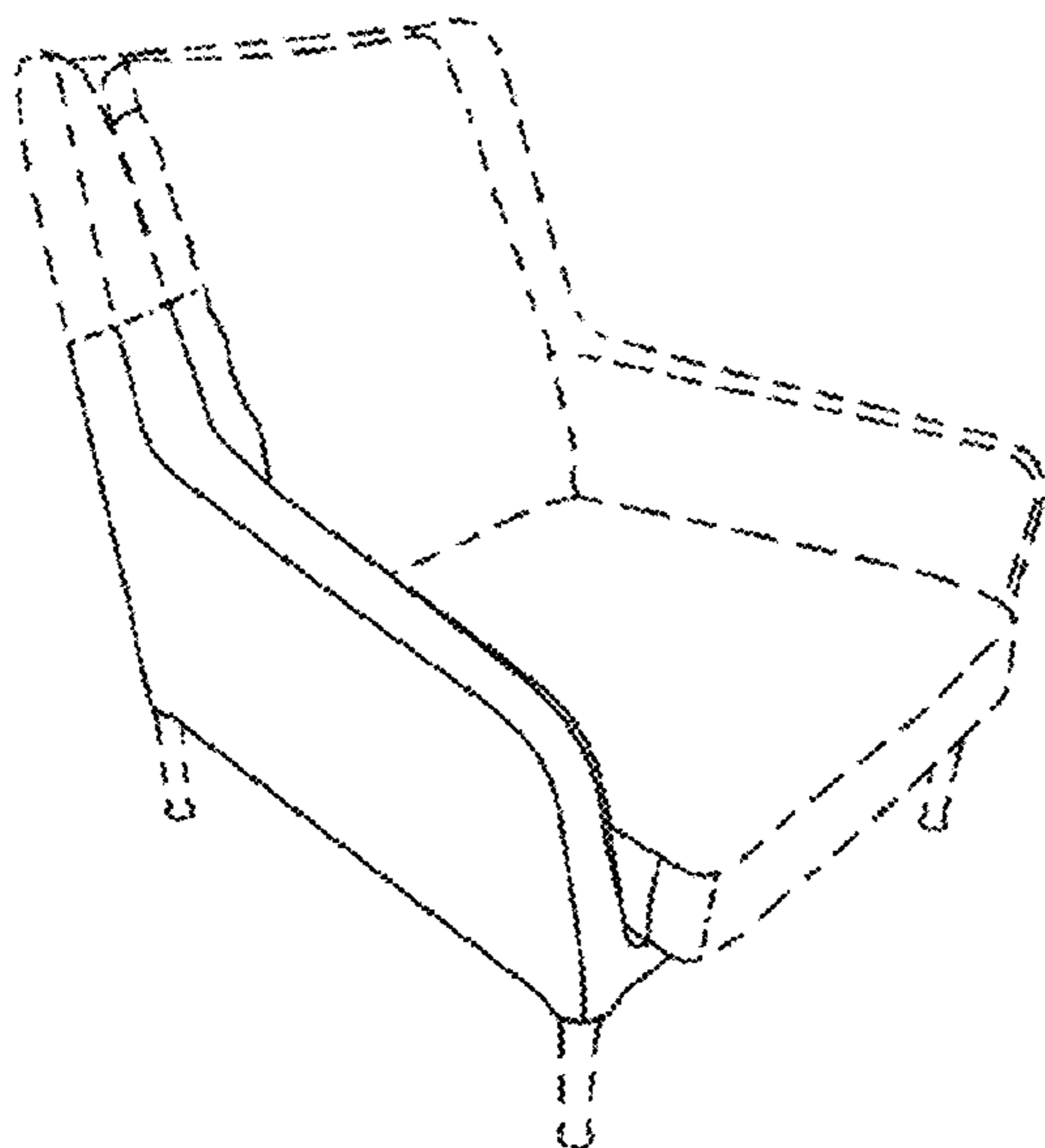
The ornamental design for a part of an armchair, as shown and described.

**DESCRIPTION**

FIG. 1 is a perspective view of an armchair showing my new design;  
 FIG. 2 is another perspective view thereof;  
 FIG. 3 is a front elevational view thereof;  
 FIG. 4 is a rear elevational view thereof, opposite that of FIG. 3;  
 FIG. 5 is a side elevational view thereof;  
 FIG. 6 is a side elevational view thereof, from a side opposite that of FIG. 5;  
 FIG. 7 is a top view thereof; and,  
 FIG. 8 is a bottom view thereof.

The broken lines showing of part of the armchair in the figures are included for the purpose of illustrating environmental structure and forms no part of the claimed design. The dash-dot-dash lines showing in the figures are included to illustrate the boundary of the claimed design.

**1 Claim, 8 Drawing Sheets**



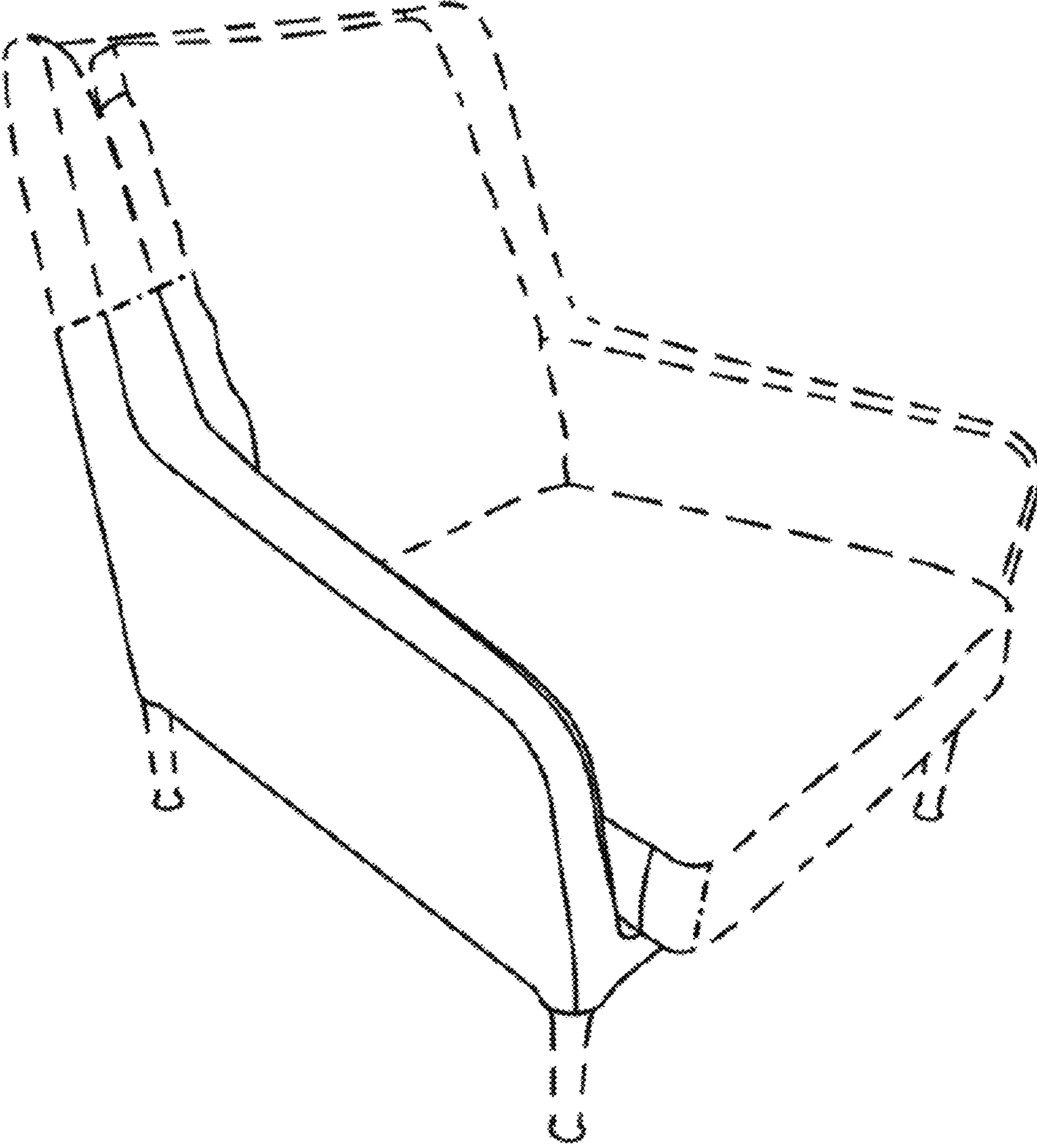


FIG. 1

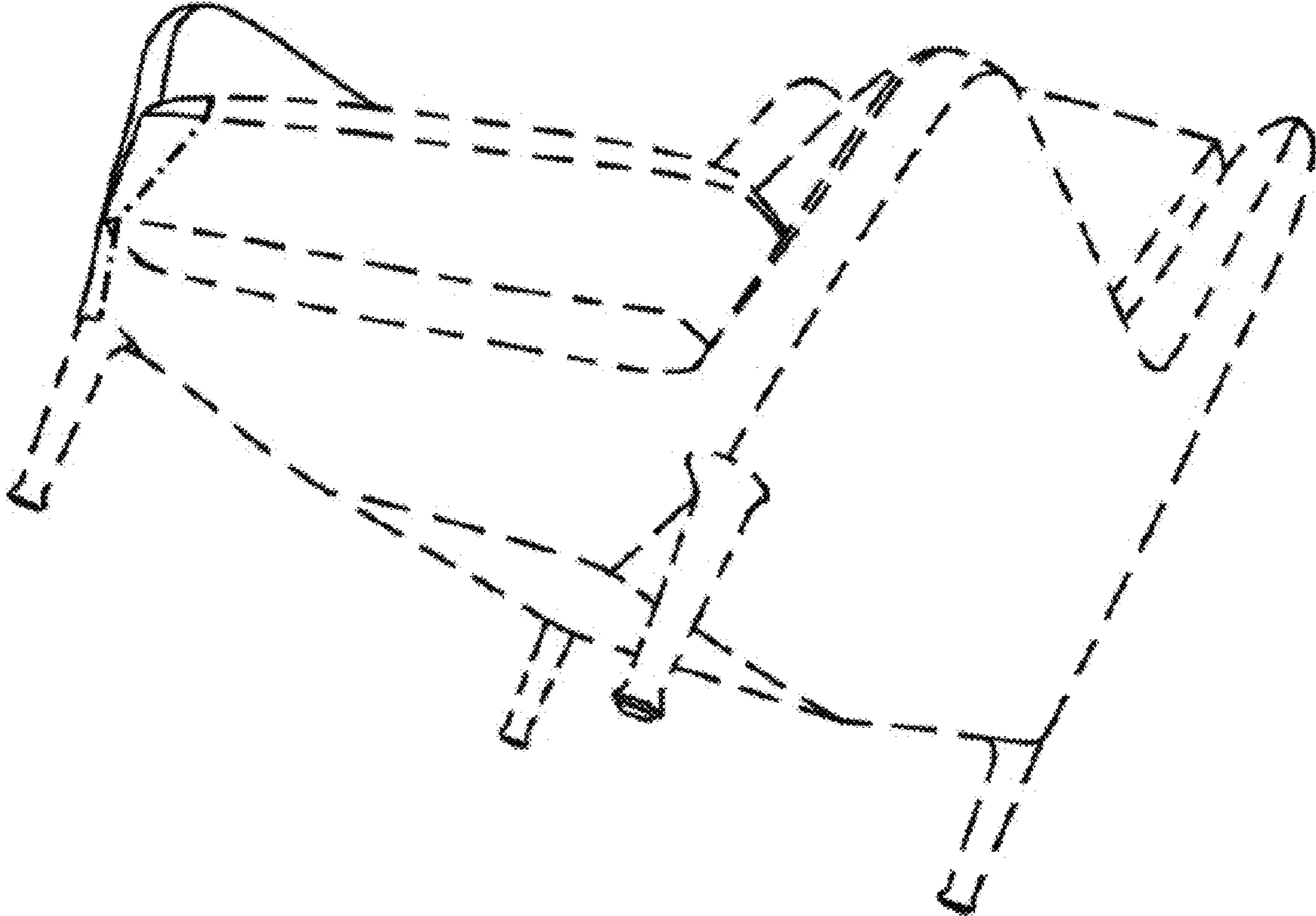


FIG. 2

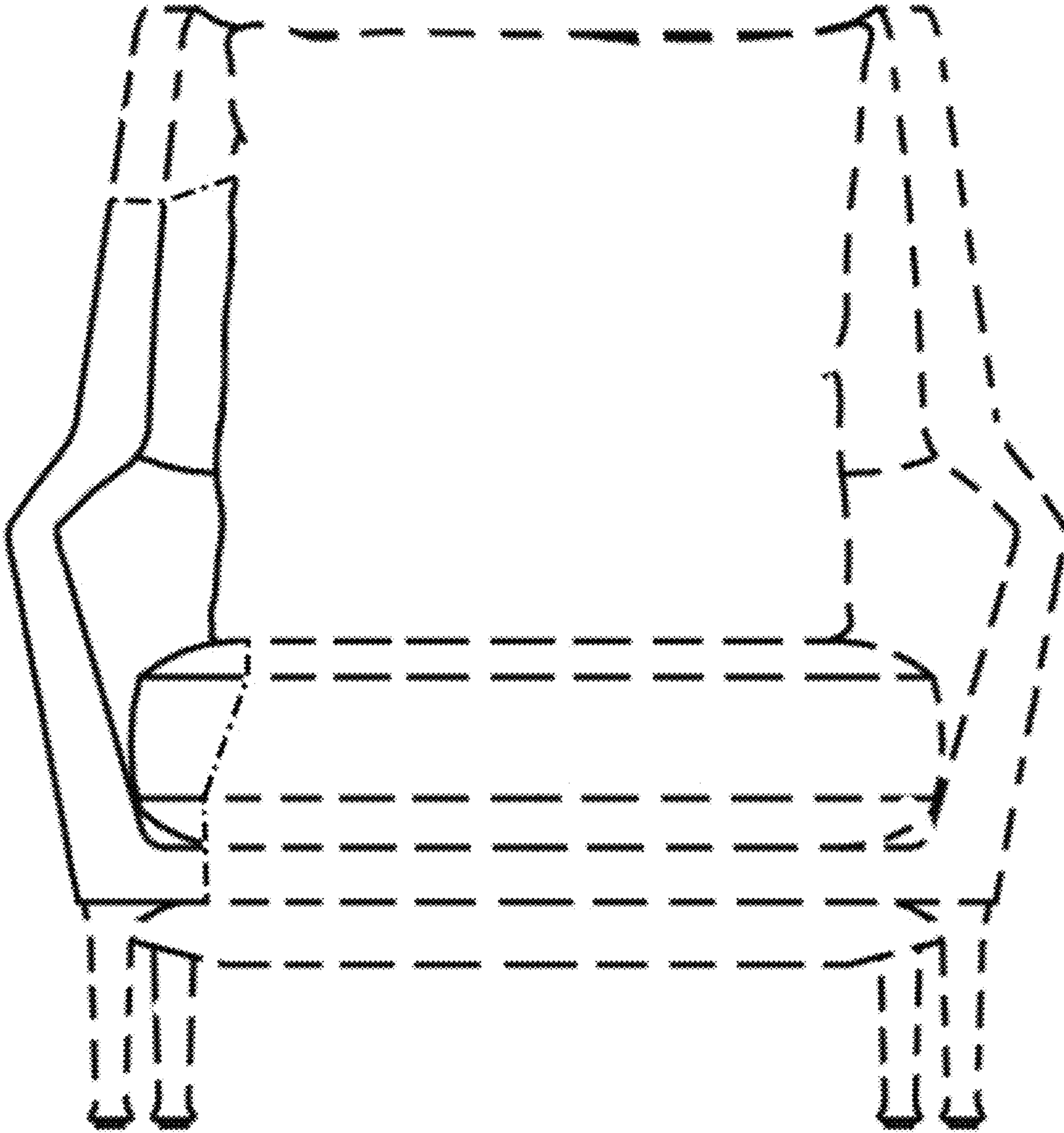


FIG. 3

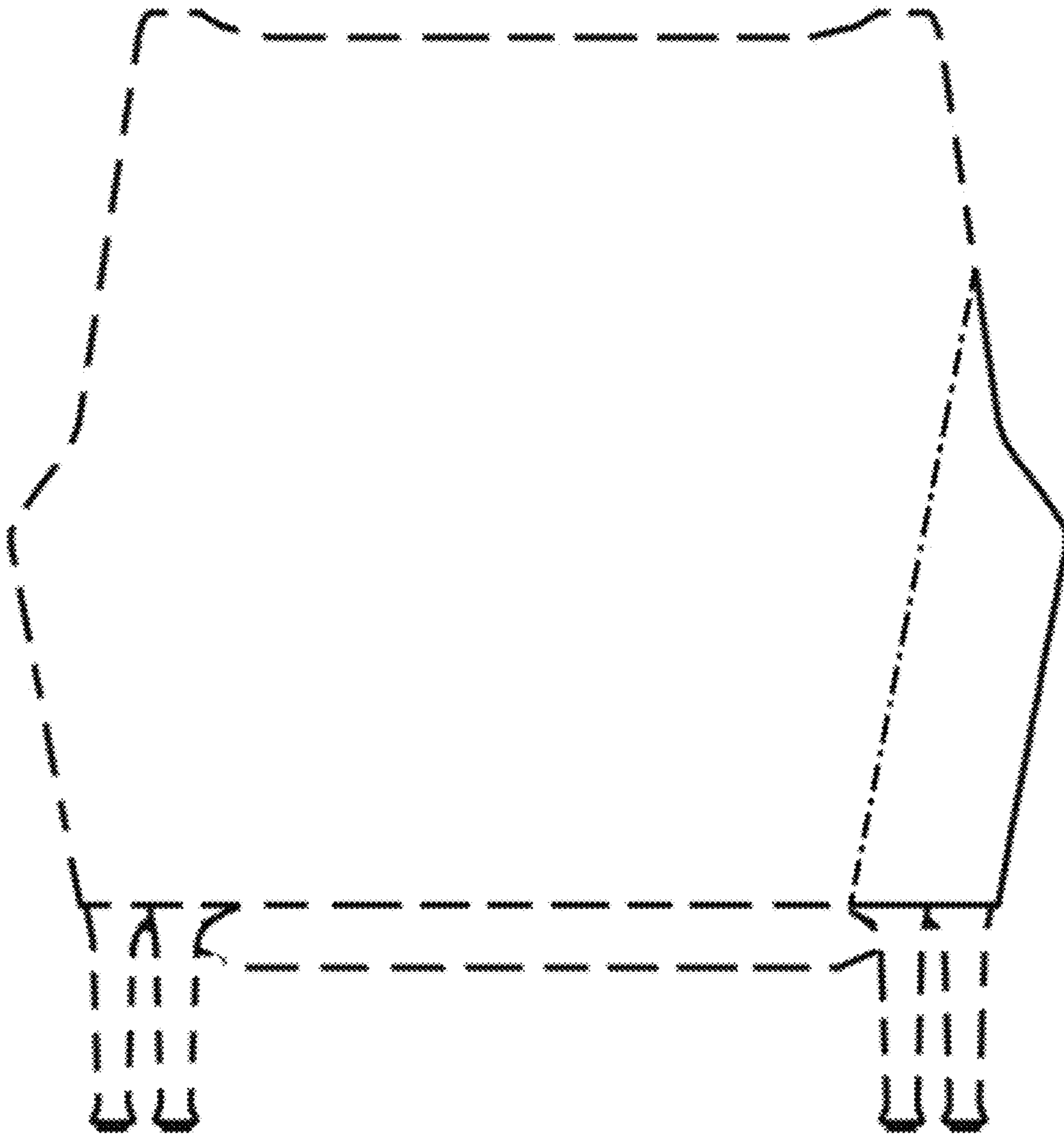


FIG. 4

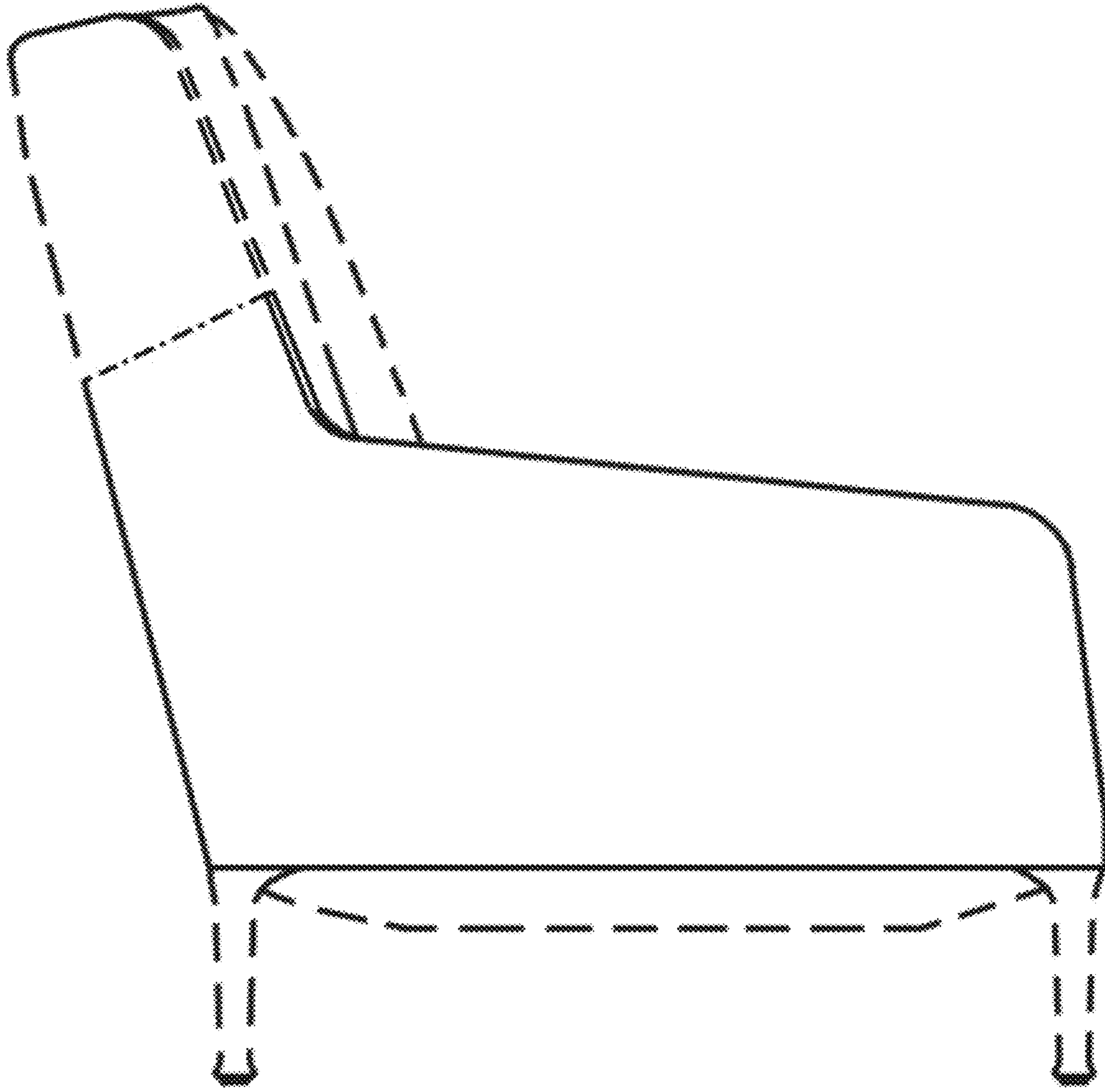


FIG. 5

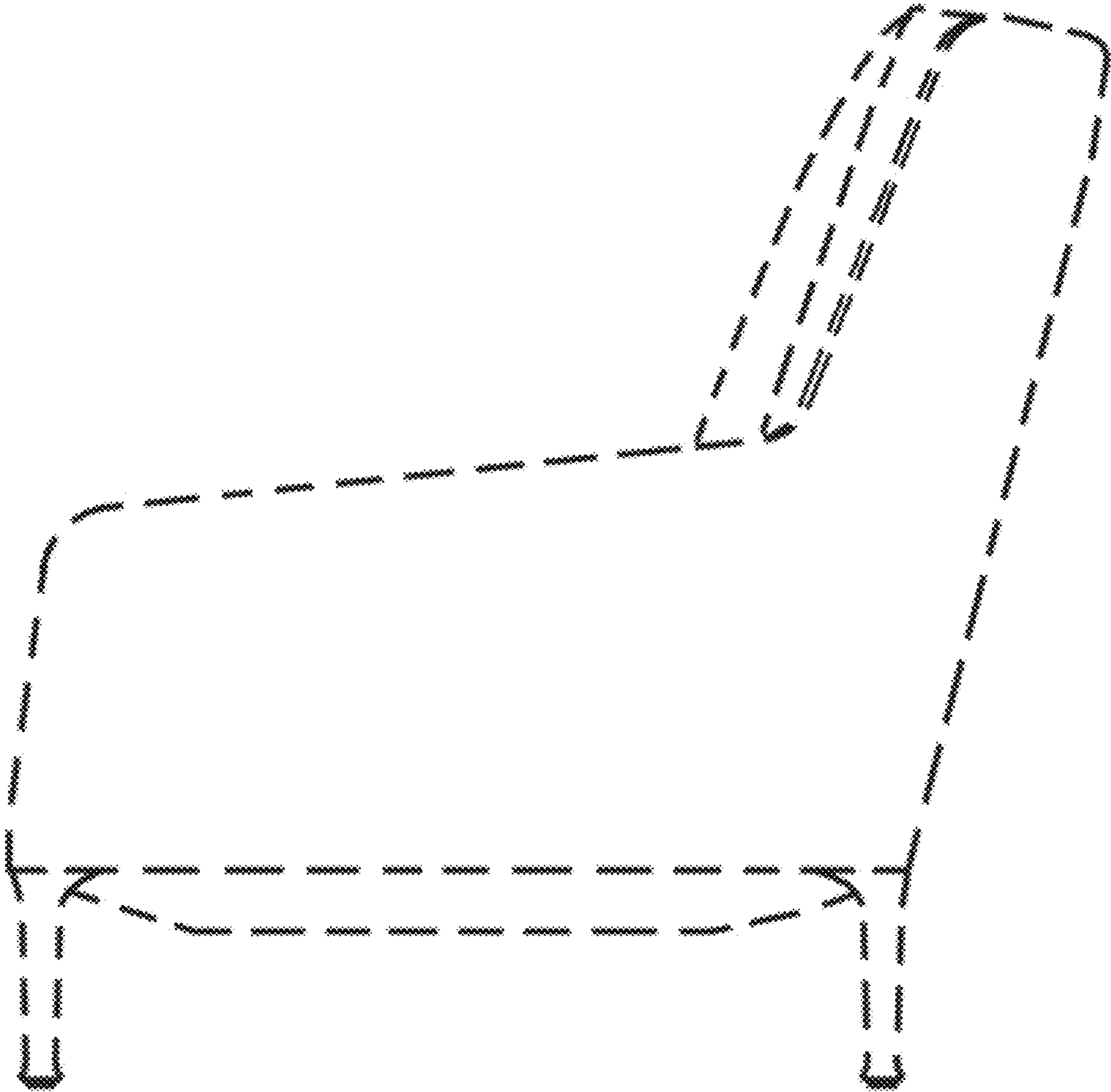


FIG. 6

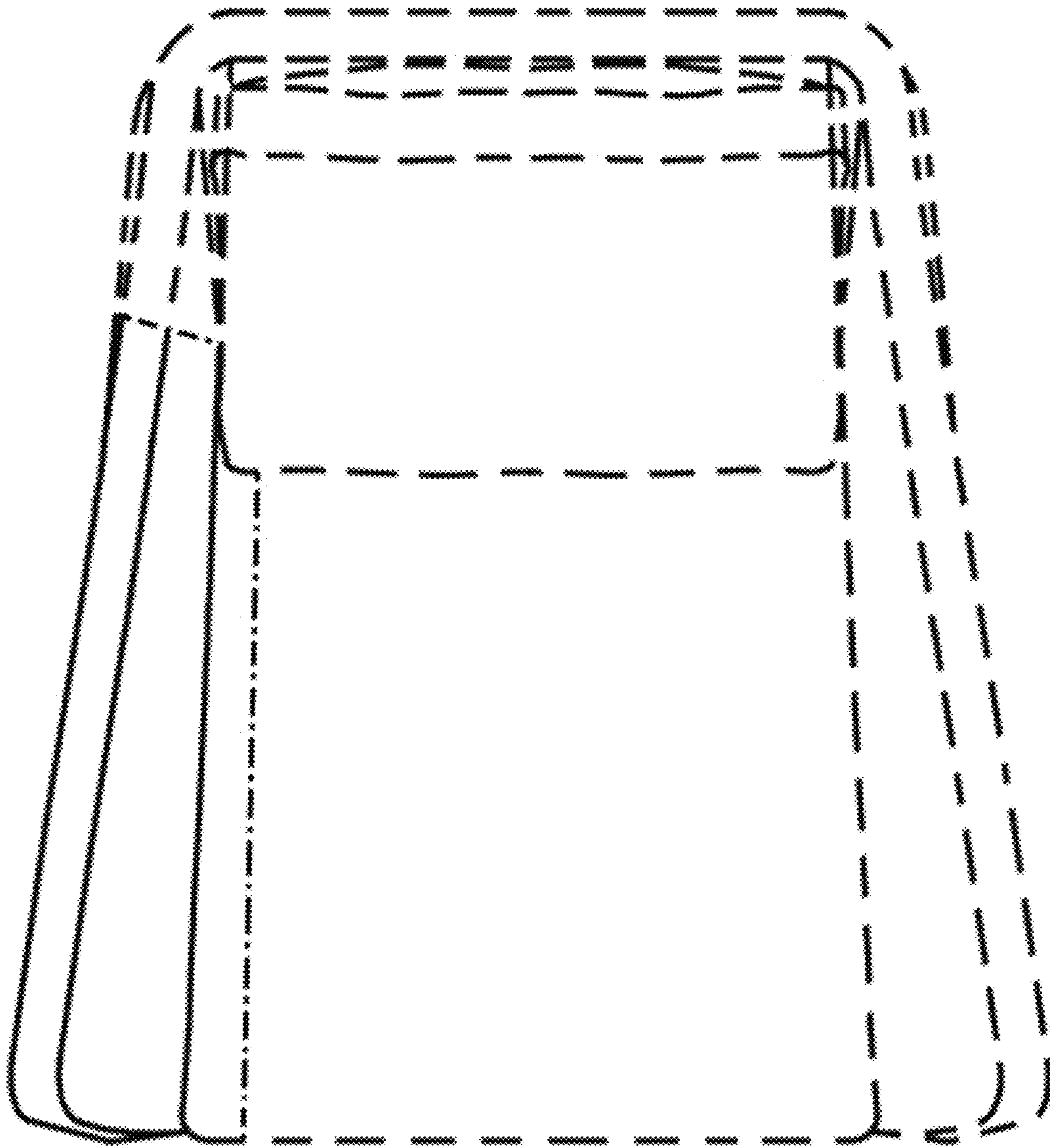


FIG. 7



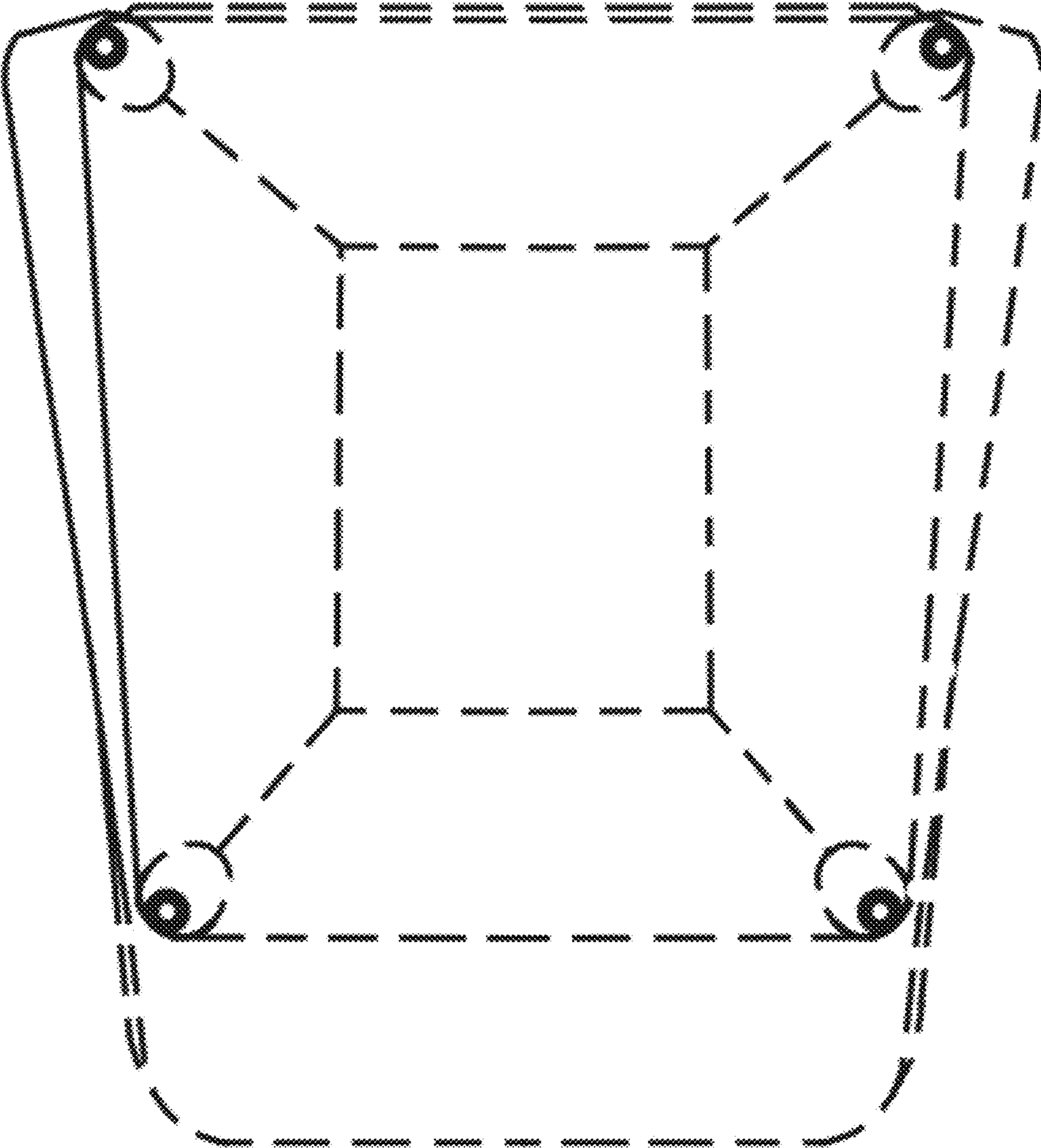


FIG. 8