



US00D840161S

(12) **United States Design Patent** (10) **Patent No.:** **US D840,161 S**
Renner et al. (45) **Date of Patent:** **** Feb. 12, 2019**

(54) **BRUSH**
(71) Applicant: **3M INNOVATIVE PROPERTIES COMPANY**, St. Paul, MN (US)
(72) Inventors: **Megan E. Renner**, St. Paul, MN (US); **Matthew D. Chaffee**, Minneapolis, MN (US); **Mark W. Baldwin**, Woodbury, MN (US); **Michael C. Mooney**, Coon Rapids, MN (US)
(73) Assignee: **3M INNOVATIVE PROPERTIES COMPANY**, St. Paul, MN (US)
(**) Term: **15 Years**

D363,608 S * 10/1995 Lessmann D32/42
D441,961 S * 5/2001 Gringer D4/130
D497,258 S * 10/2004 Puckett D4/118
D514,816 S * 2/2006 Clapperton D4/116
D540,043 S * 4/2007 Hay D4/130
D637,006 S * 5/2011 Marsden D4/130
D655,509 S * 3/2012 Dombrowski D4/108
D702,046 S * 4/2014 Zmrhal D4/120

FOREIGN PATENT DOCUMENTS

CN 300773940 * 5/2008
CN 304267927 * 9/2017
EM 000331186-0001 6/2005
EM 002533729-0003 9/2014
EM 003453281-0001 11/2016
WO 064204 9/2003
WO DM/064204 9/2003

* cited by examiner

Primary Examiner — Karen E Eldridge Powers

(74) *Attorney, Agent, or Firm* — Irina Hess

(21) Appl. No.: **29/621,644**
(22) Filed: **Oct. 10, 2017**
(51) **LOC (11) Cl.** **04-01**
(52) **U.S. Cl.**
USPC **D4/138**; D4/134
(58) **Field of Classification Search**
USPC D4/116, 117, 118, 119, 120, 132, 134,
D4/138, 130, 136, 199, 122, 137, 104,
D4/129; D8/107; D32/40, 51
CPC A46B 5/02; A46B 9/02; A46B 2200/3033;
A46B 2200/30
See application file for complete search history.

(57) **CLAIM**

The ornamental design for a brush, as shown and described.

DESCRIPTION

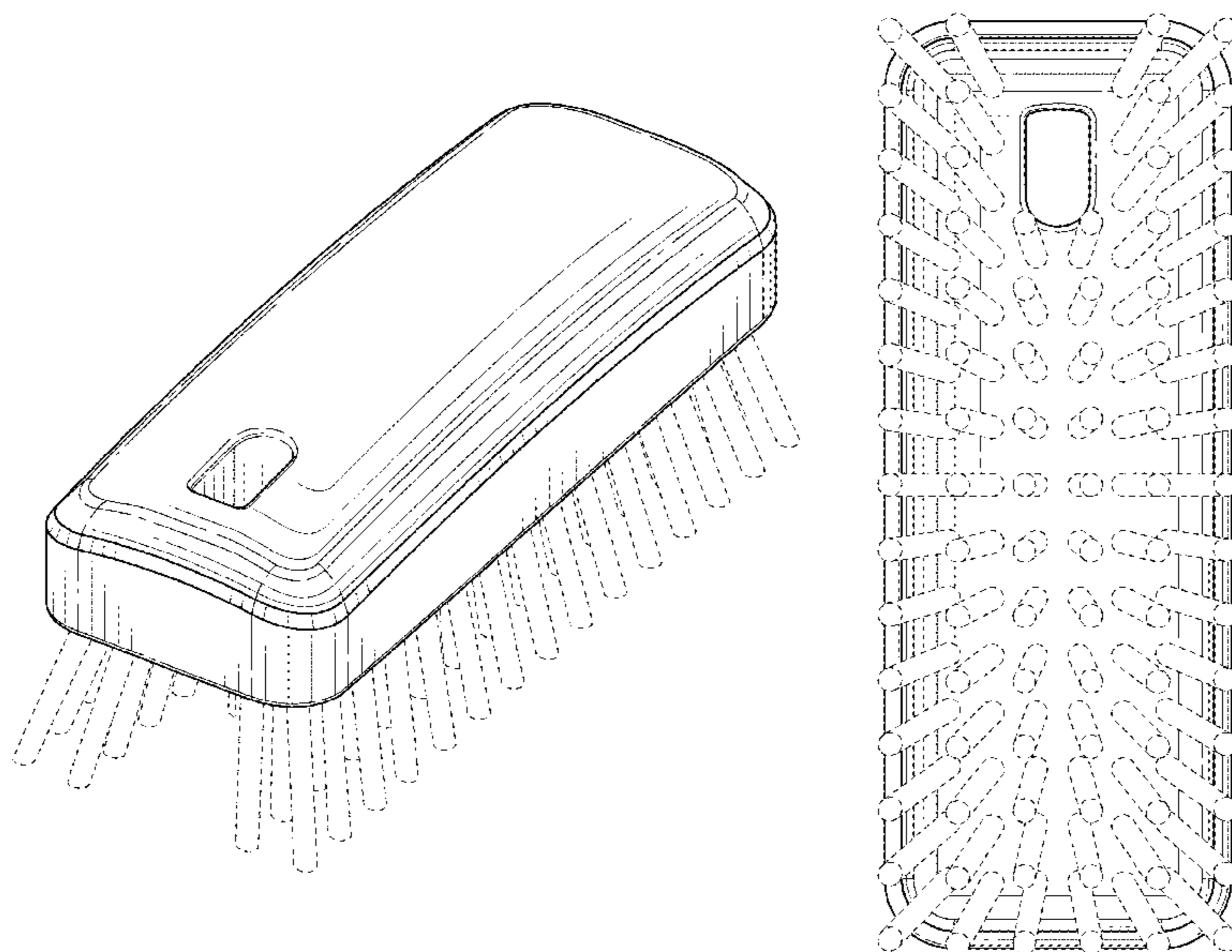
FIG. 1 is a perspective view showing the new design for a brush;
FIG. 2 is a front view thereof;
FIG. 3 is a rear view thereof;
FIG. 4 is a left side view thereof;
FIG. 5 is a right side view thereof;
FIG. 6 is a top view thereof;
FIG. 7 is a bottom view thereof; and,
FIG. 8 is a bottom perspective view thereof.
The portions of the brush in FIGS. 1-8 shown in broken lines are included to show features that form no part of the claimed design.

(56) **References Cited**

U.S. PATENT DOCUMENTS

D89,461 S * 3/1933 Aufmesser D4/130
D99,111 S * 3/1936 Bickel D4/132
D99,144 S * 3/1936 Sundin D4/116
2,432,264 A * 12/1947 Tyler A46B 9/00
15/159.1
D207,049 S * 2/1967 McCord D4/130
D320,292 S * 9/1991 Bartlett D30/158

1 Claim, 5 Drawing Sheets



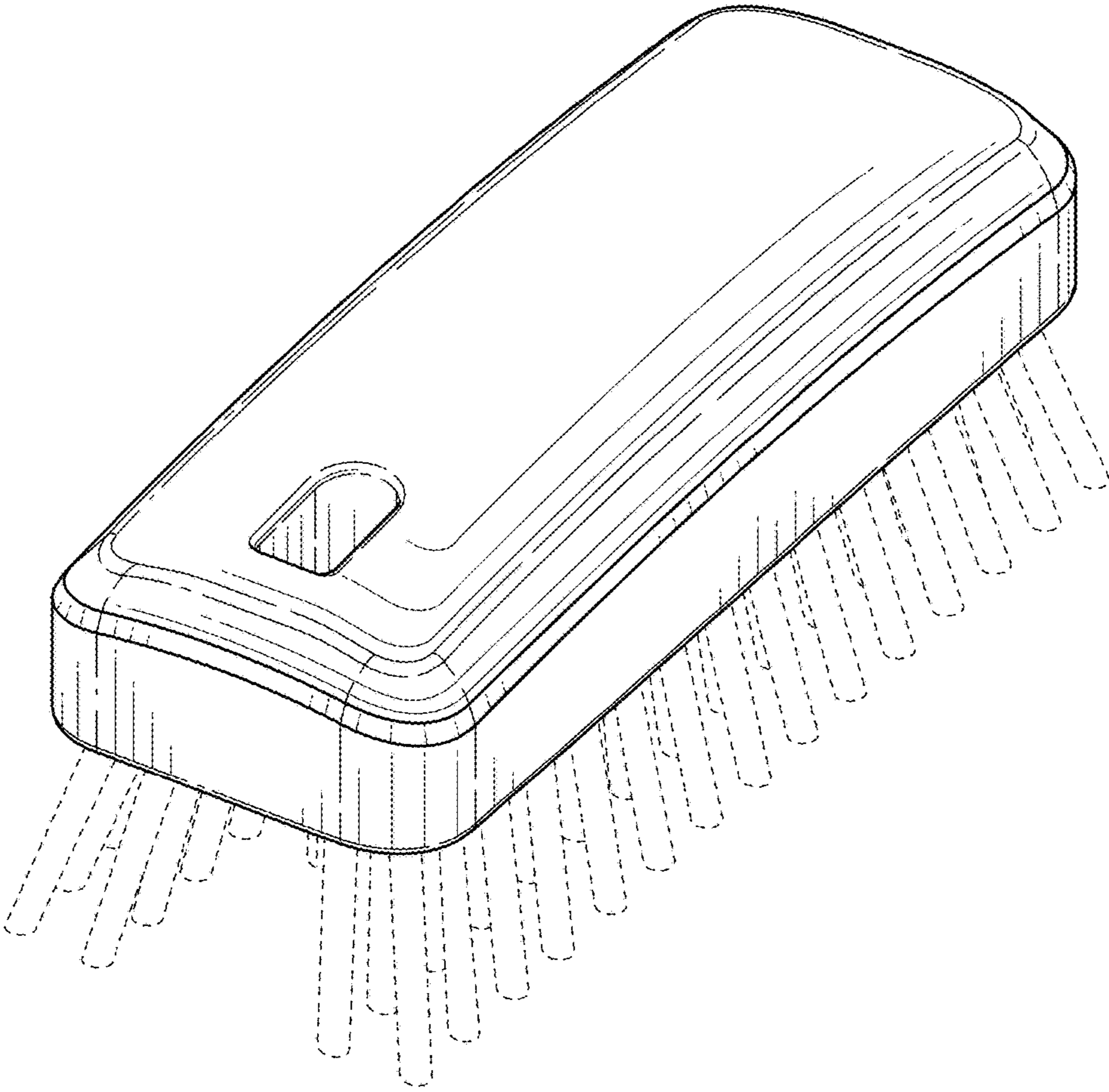


FIG. 1

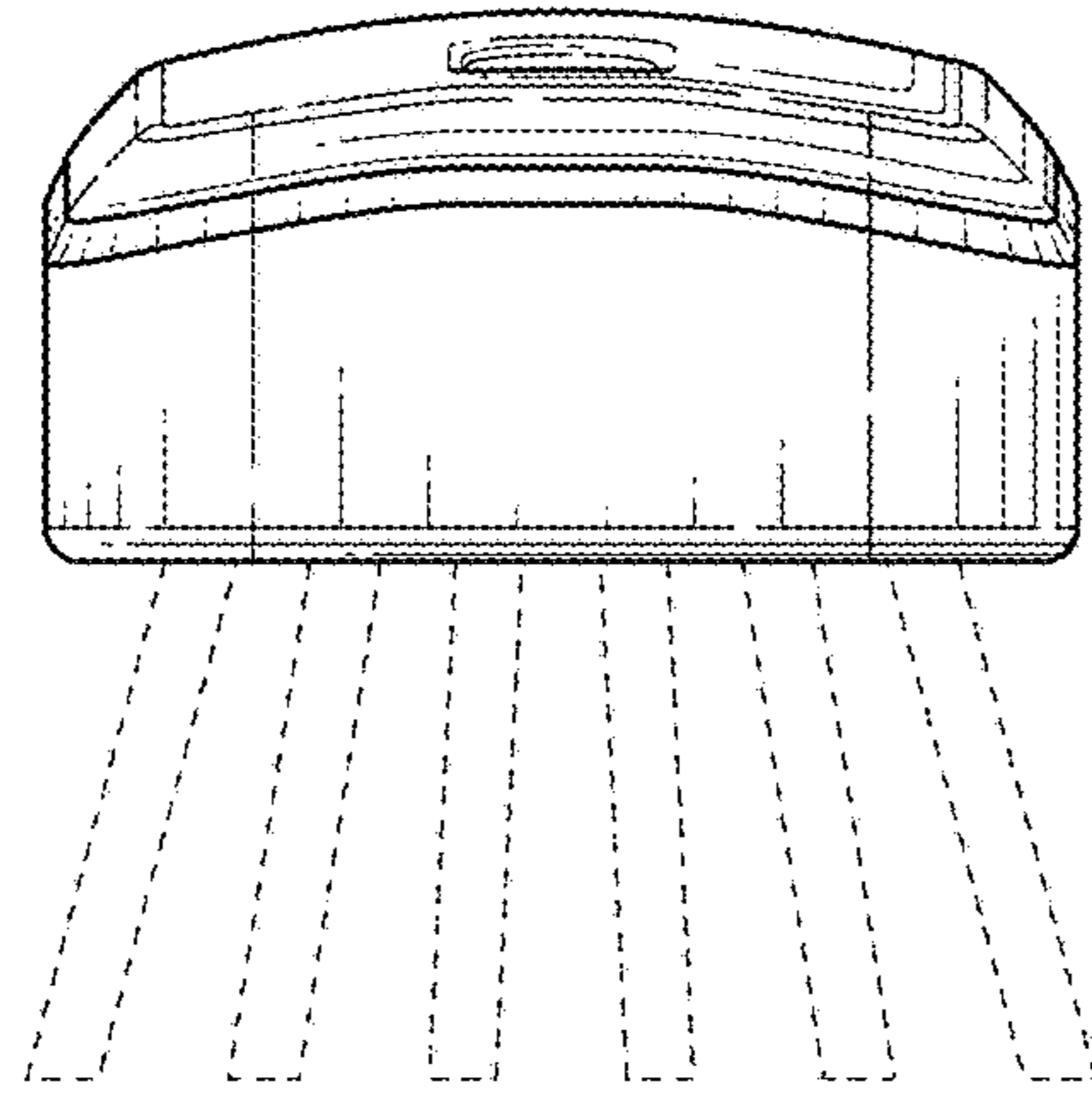


FIG. 2

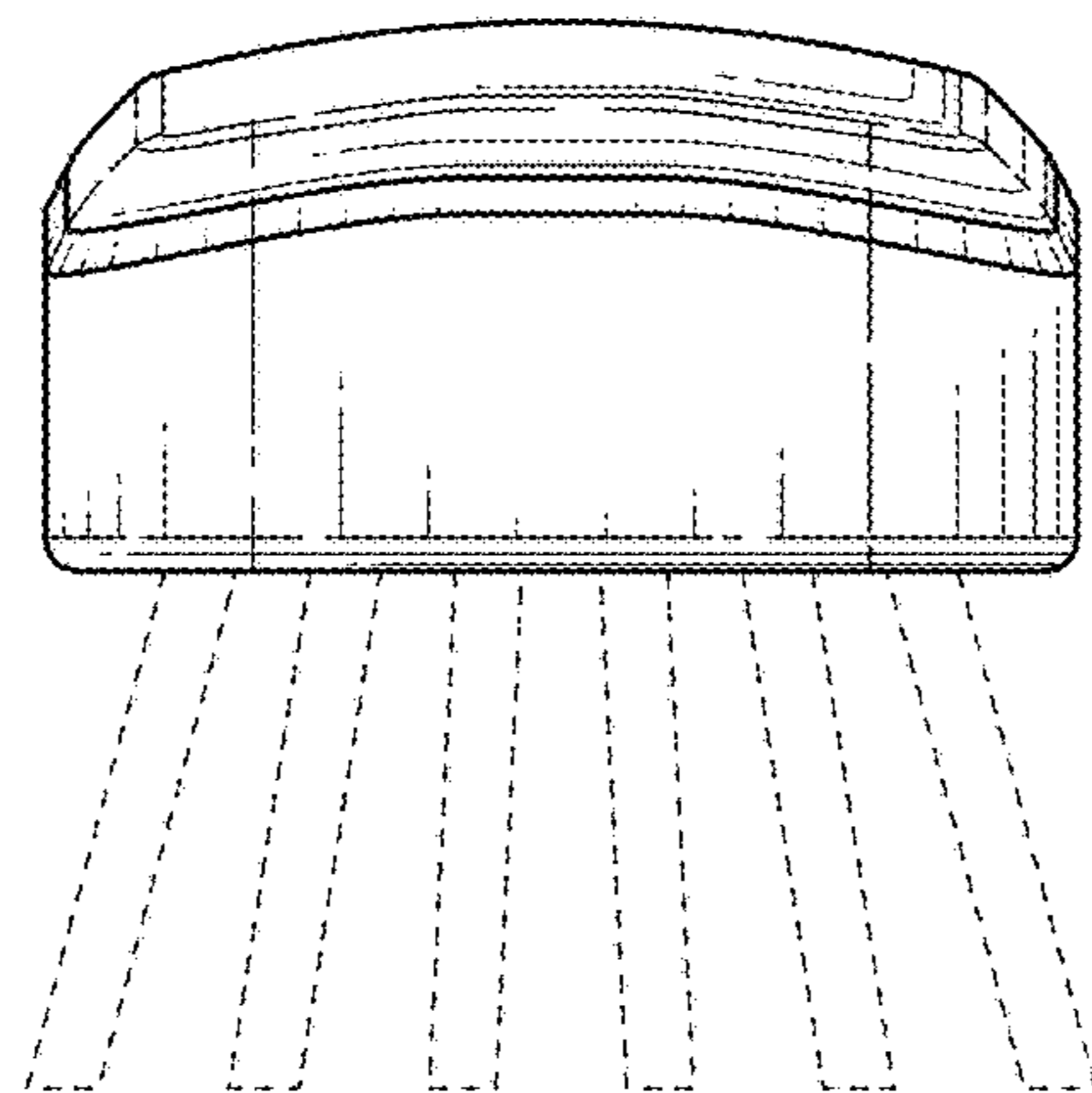


FIG. 3

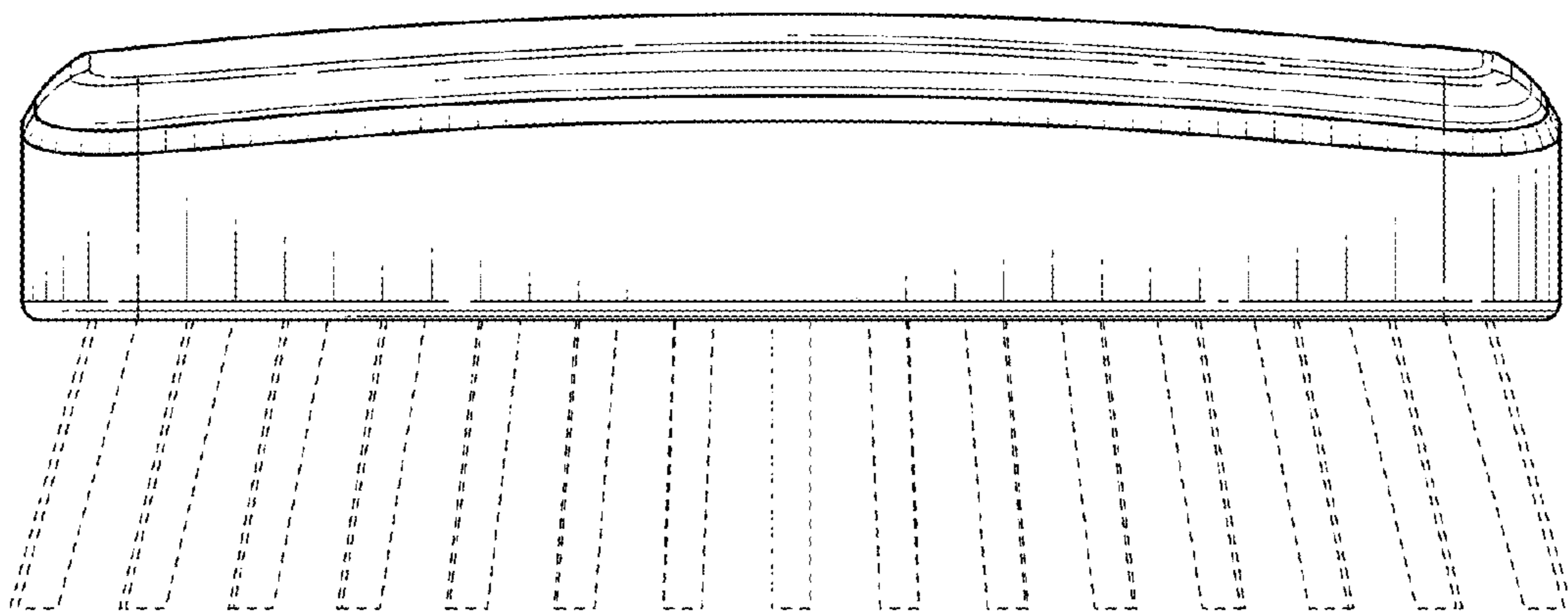


FIG. 4

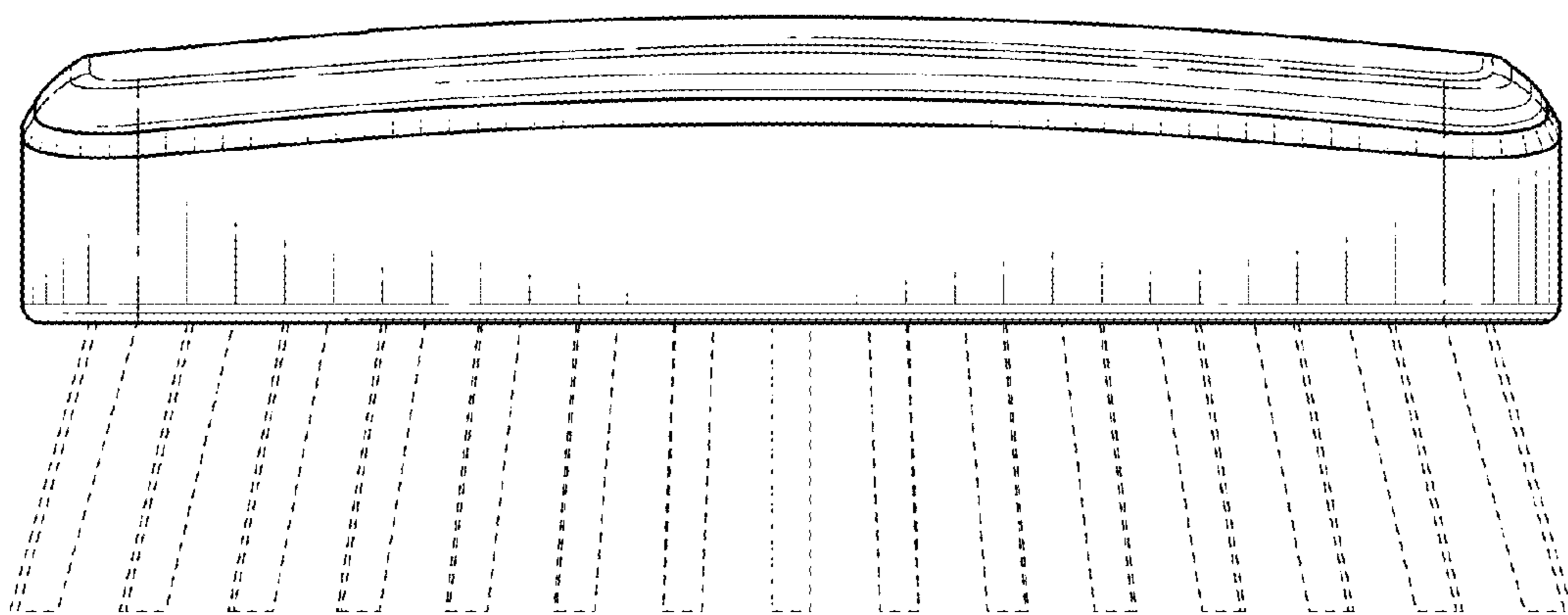


FIG. 5

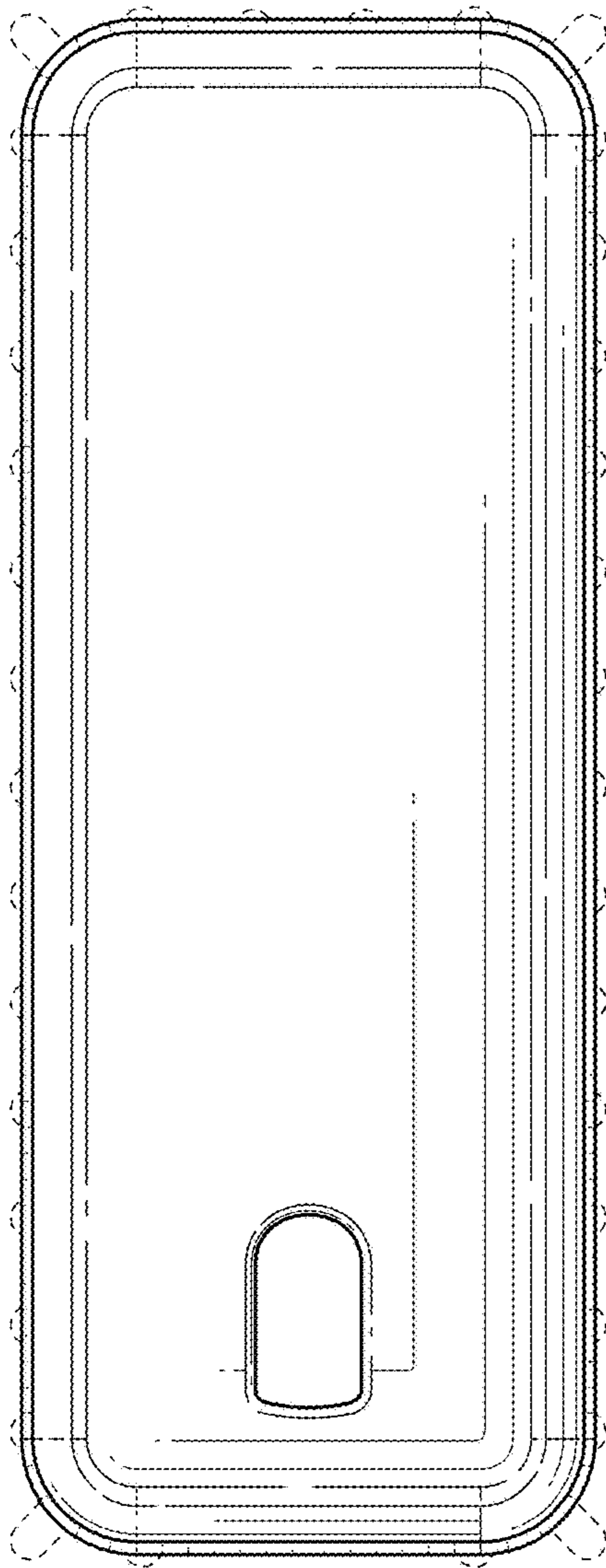


FIG. 6

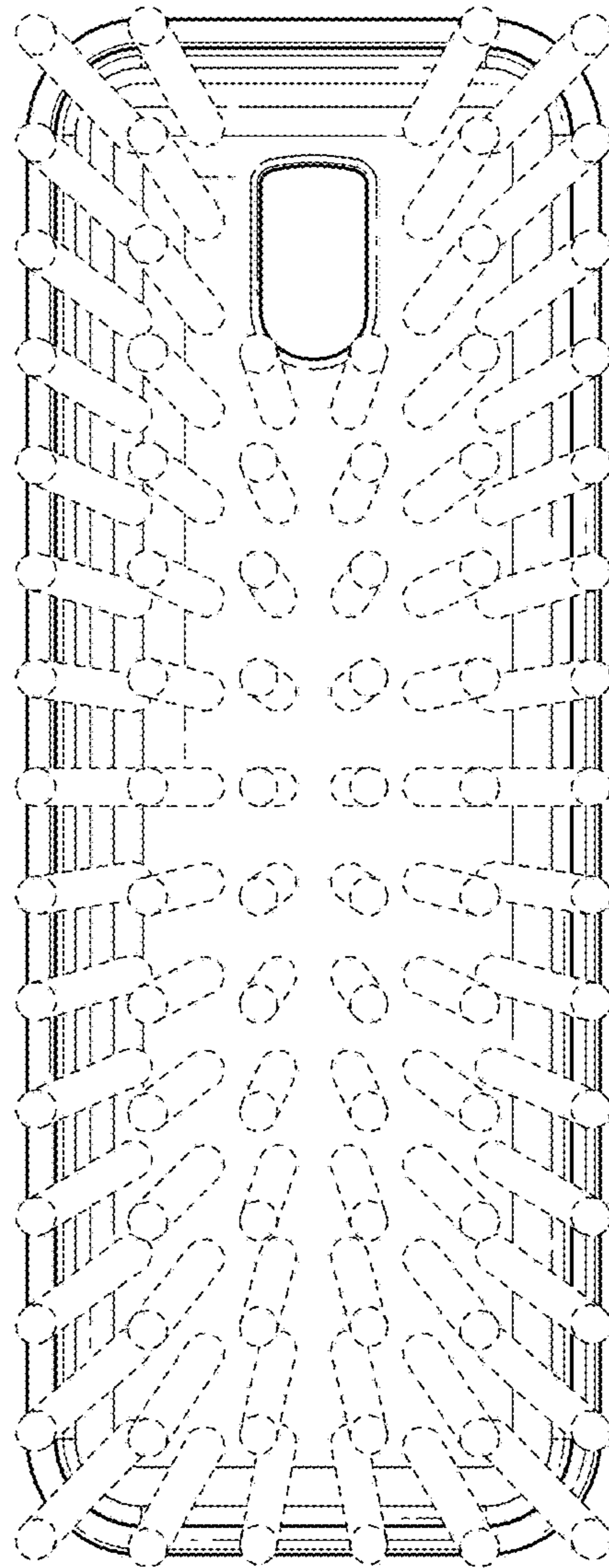


FIG. 7

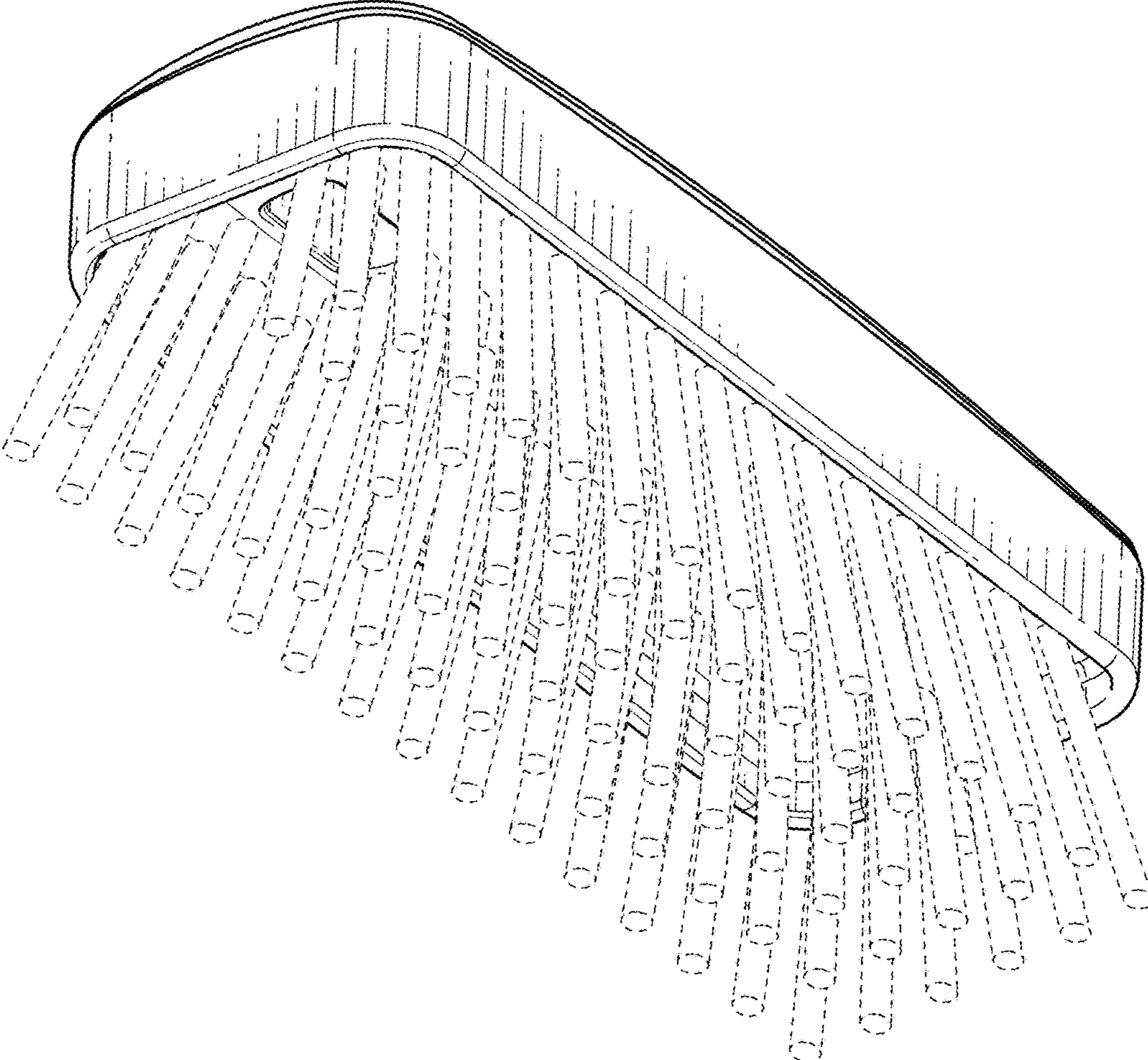


FIG. 8