



US00D840159S

(12) **United States Design Patent**  
**Hamilton**

(10) **Patent No.:** **US D840,159 S**  
(45) **Date of Patent:** **\*\* Feb. 12, 2019**

- (54) **BRUSH**
- (71) Applicant: **Lilly Brush Company, LLC**,  
Englewood, CO (US)
- (72) Inventor: **Elsie Cryder Hamilton**, Englewood,  
CO (US)
- (73) Assignee: **LILLY BRUSH COMPANY, LLC**,  
Englewood, CO (US)
- (\*\*) Term: **15 Years**
- (21) Appl. No.: **29/626,522**
- (22) Filed: **Nov. 17, 2017**
- (51) **LOC (11) Cl.** ..... **04-01**
- (52) **U.S. Cl.**  
USPC ..... **D4/118**
- (58) **Field of Classification Search**  
USPC ..... D4/116-118, 130-132, 134, 138; D8/80,  
D8/83, 94, 103, 300; D32/40, 41, 46, 49,  
D32/51  
CPC ..... A45D 24/14; A45D 24/16; A46B 3/005;  
A46B 5/00; A46B 5/02; A46B 5/021;  
A46B 9/02; A46B 9/021; A46B 9/023;  
A46B 13/001; A46B 13/008; A46B  
15/0055; A46B 15/0081; A46B 15/0087;  
A46B 17/02; A46B 2200/30; A46B  
2200/104; A46B 2200/106; A46B  
2200/202; A46B 2200/205; A46B  
2200/207; A46B 2200/304; A46B  
2200/1006; A46B 2200/1046; A46B  
2200/1053; A46B 2200/3006; A46B  
2200/3033; A46B 2200/3093  
See application file for complete search history.

- (56) **References Cited**  
U.S. PATENT DOCUMENTS  
1,804,415 A 5/1931 Leonard  
2,637,893 A 5/1953 Shaw

3,087,223 A	4/1963	Raw	
3,120,019 A	2/1964	Scott	
3,765,046 A	10/1973	Tsuruzawa	
4,042,995 A	8/1977	Varon	
4,639,965 A	2/1987	Suzuki	
D348,986 S	7/1994	Ross	
D358,491 S *	5/1995	Hoagland	..... D32/42

(Continued)

**FOREIGN PATENT DOCUMENTS**

GB 2191392 A 12/1987

**OTHER PUBLICATIONS**

Lilly Brush (Youtube), "Lilly Brush Pet Hair Detailer", dated 0815/2017, <https://www.youtube.com/watch?v=v1SViJzs7WM>, accessed Sep. 3, 2018, 2pgs. (Year: 2017).\*

(Continued)

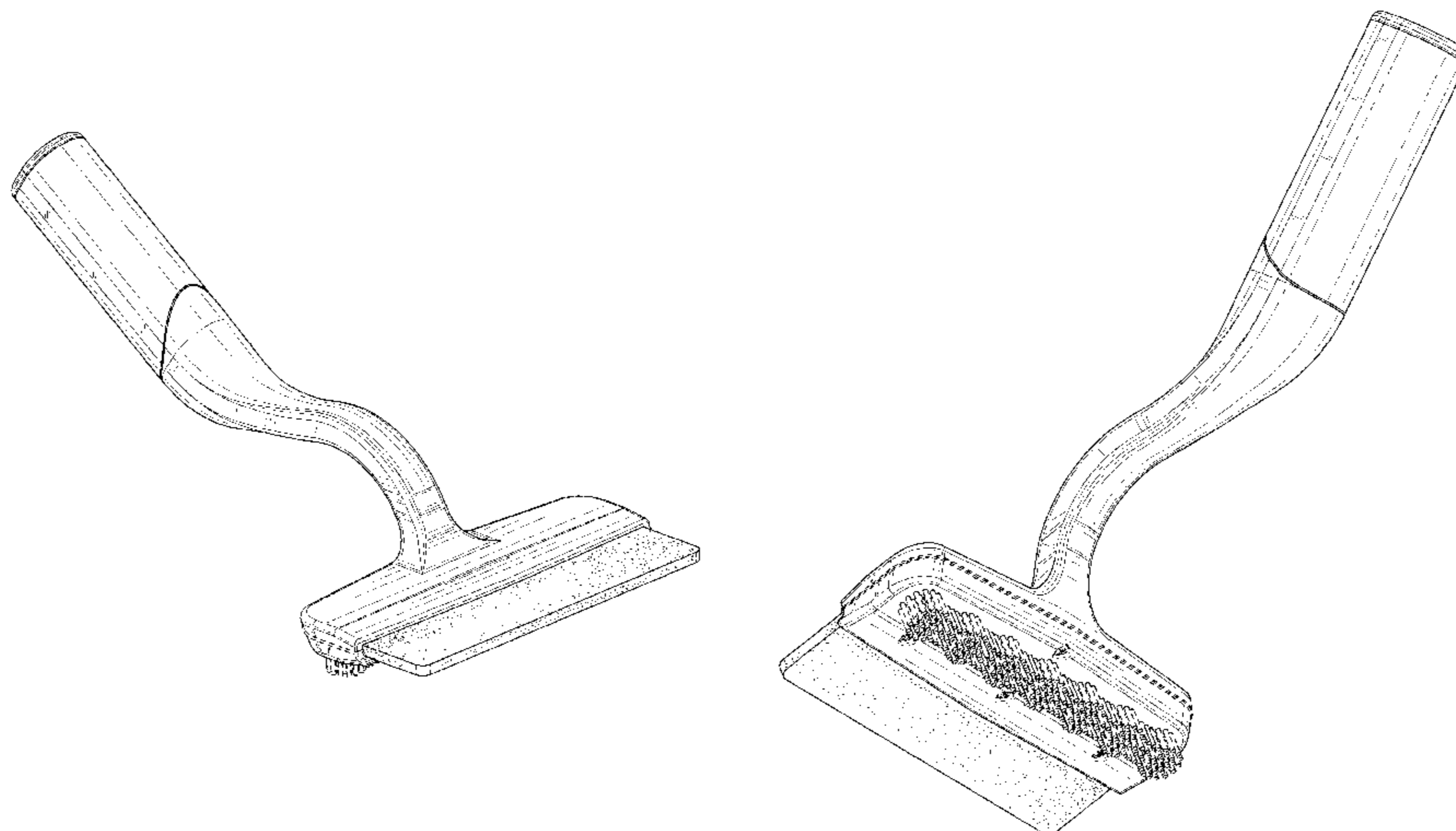
*Primary Examiner* — Keli L Hill  
(74) *Attorney, Agent, or Firm* — Thompson Coburn LLP

(57) **CLAIM**  
The ornamental design for a brush, as shown and described.

**DESCRIPTION**

FIG. 1 is a perspective view of the brush showing my new design;  
FIG. 2 is a further perspective view thereof;  
FIG. 3 is a top view thereof;  
FIG. 4 is a bottom view thereof;  
FIG. 5 is a left view thereof;  
FIG. 6 is a right view thereof;  
FIG. 7 is a rear view thereof; and,  
FIG. 8 is a front view thereof.  
The broken lines immediately adjacent the shaded areas represent the bounds of the claimed design while all other broken lines are included for the purpose of illustrating portions of the brush; the broken lines form no part of the claimed design.

**1 Claim, 7 Drawing Sheets**



(56)

**References Cited**

U.S. PATENT DOCUMENTS

5,467,495 A 11/1995 Boland et al.  
5,850,660 A 12/1998 O'Halloran  
6,086,373 A 7/2000 Schiff et al.  
D459,088 S \* 6/2002 Rowe ..... D4/118  
6,901,622 B2 6/2005 Thompson et al.  
D557,901 S \* 12/2007 Zemel ..... D4/118  
D567,511 S \* 4/2008 Borovicka ..... D4/118  
7,503,093 B2 3/2009 Weihrauch  
D593,755 S \* 6/2009 Mendez ..... D4/118  
7,644,466 B2 1/2010 Weihrauch et al.  
D664,363 S \* 7/2012 Rothman ..... D4/118  
D704,451 S \* 5/2014 Schouten ..... D4/132  
D825,192 S \* 8/2018 Duvall ..... D4/134  
2010/0293733 A1 11/2010 Hebebrand  
2011/0258790 A1 10/2011 Cole  
2012/0311800 A1 12/2012 Lew

OTHER PUBLICATIONS

"Pill (textiles)", [http://en.wikipedia.org/wiki/Pill\\_textile](http://en.wikipedia.org/wiki/Pill_textile), accessed Jan. 4, 2018.

"USU Extension: Caring for Your Sweaters", Jan. 24, 2008, <http://studio5.ksl.com/?nid=58&sid=2535009>.

\* cited by examiner

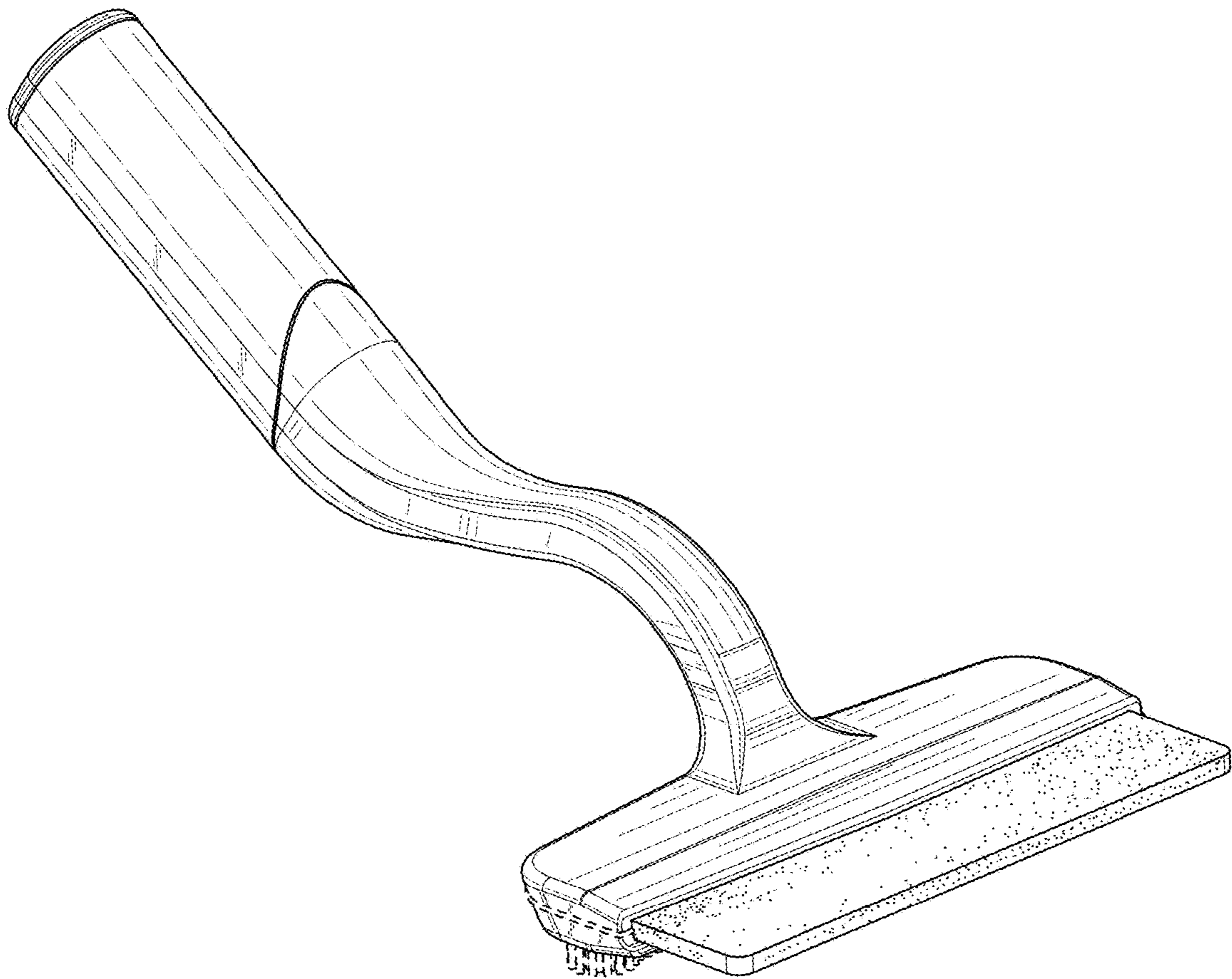


FIG. 1

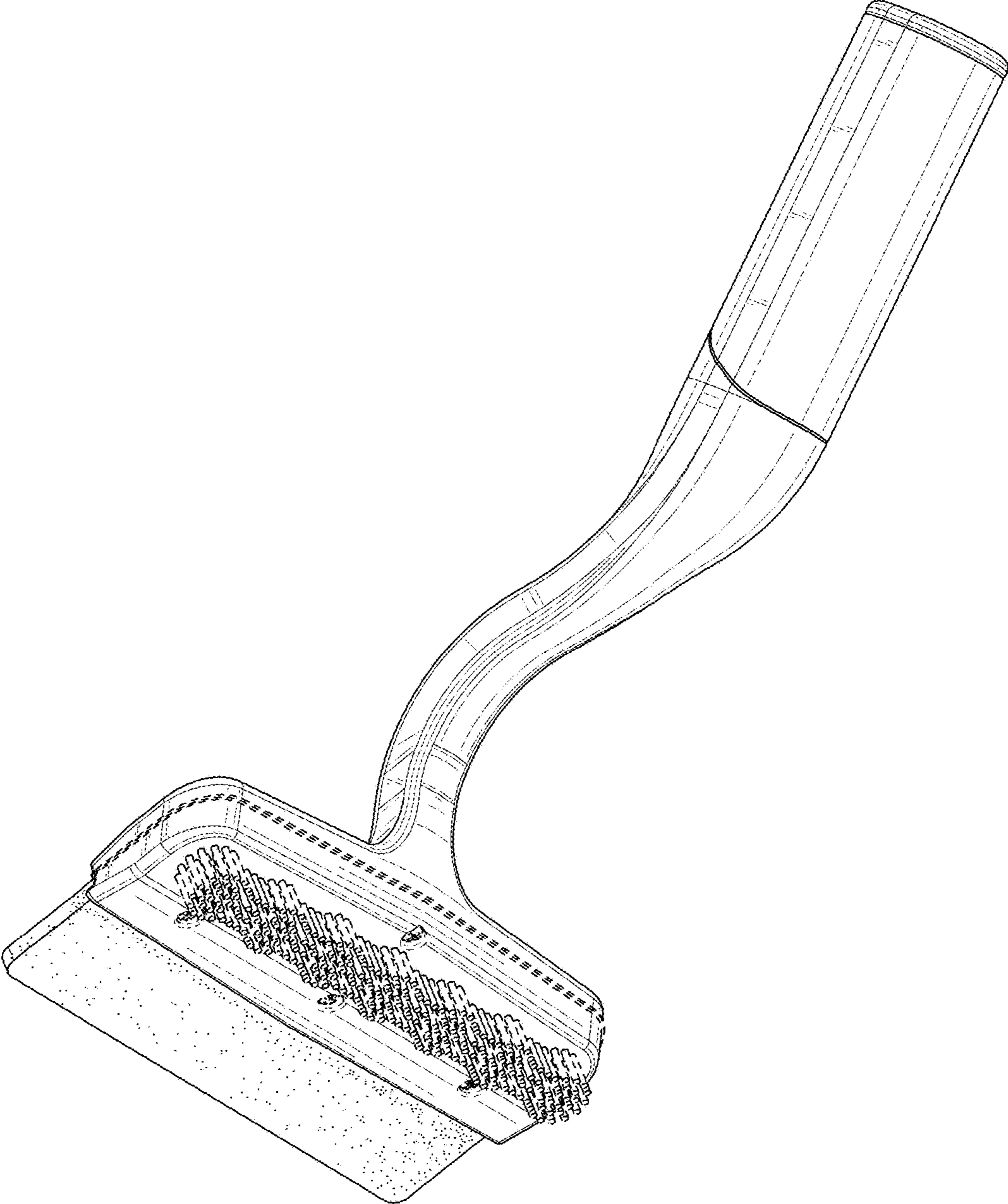


FIG. 2

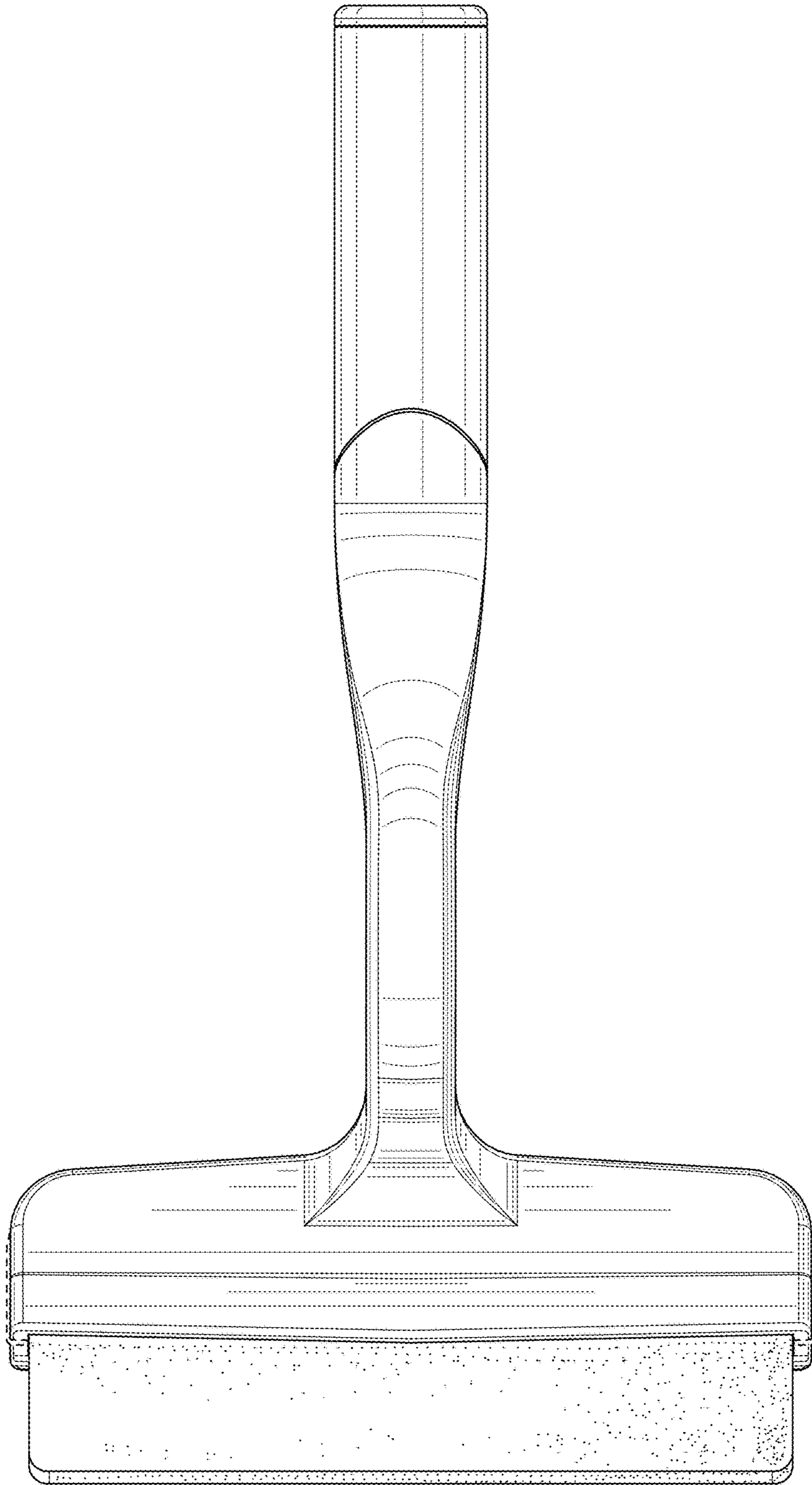


FIG. 3

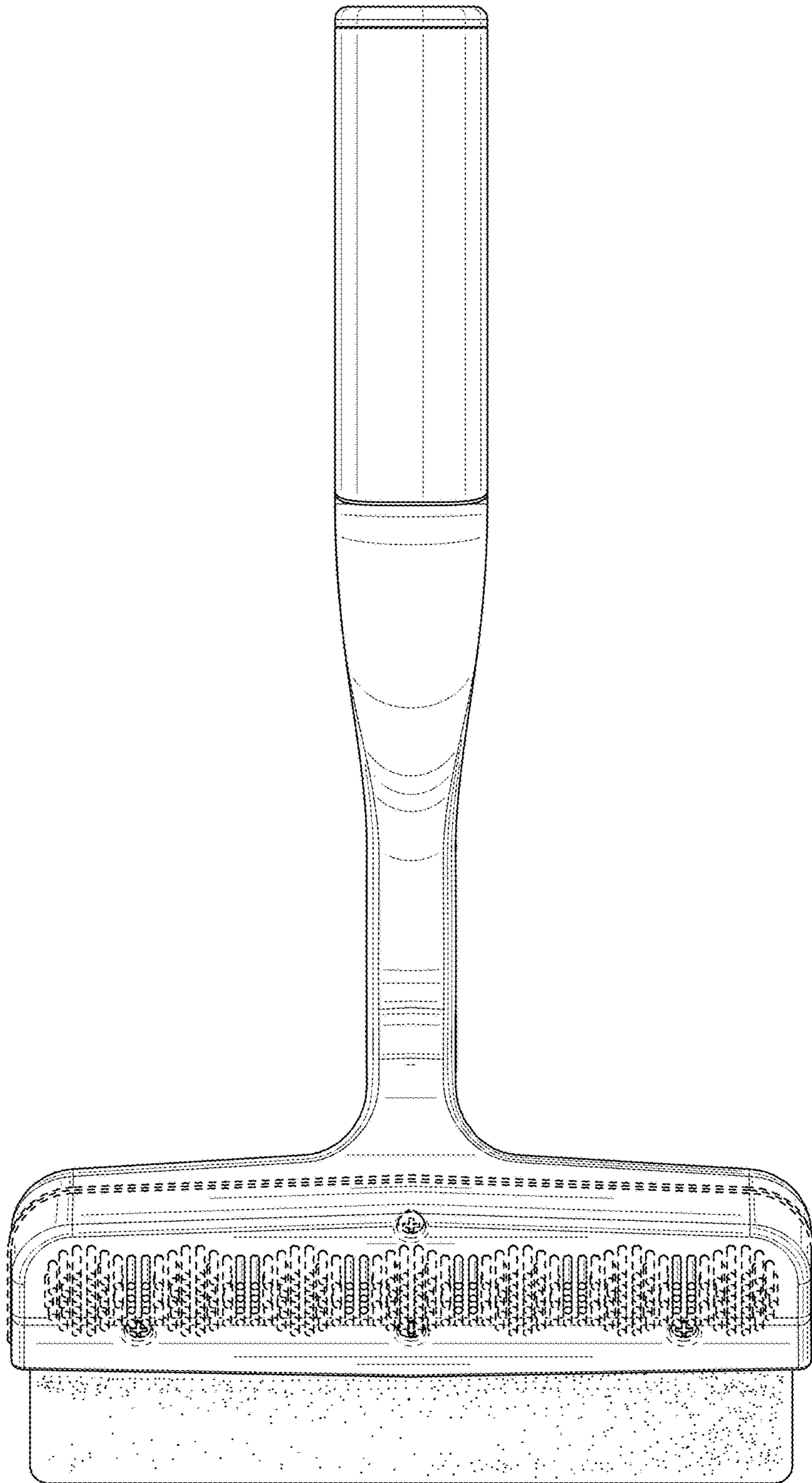


FIG. 4

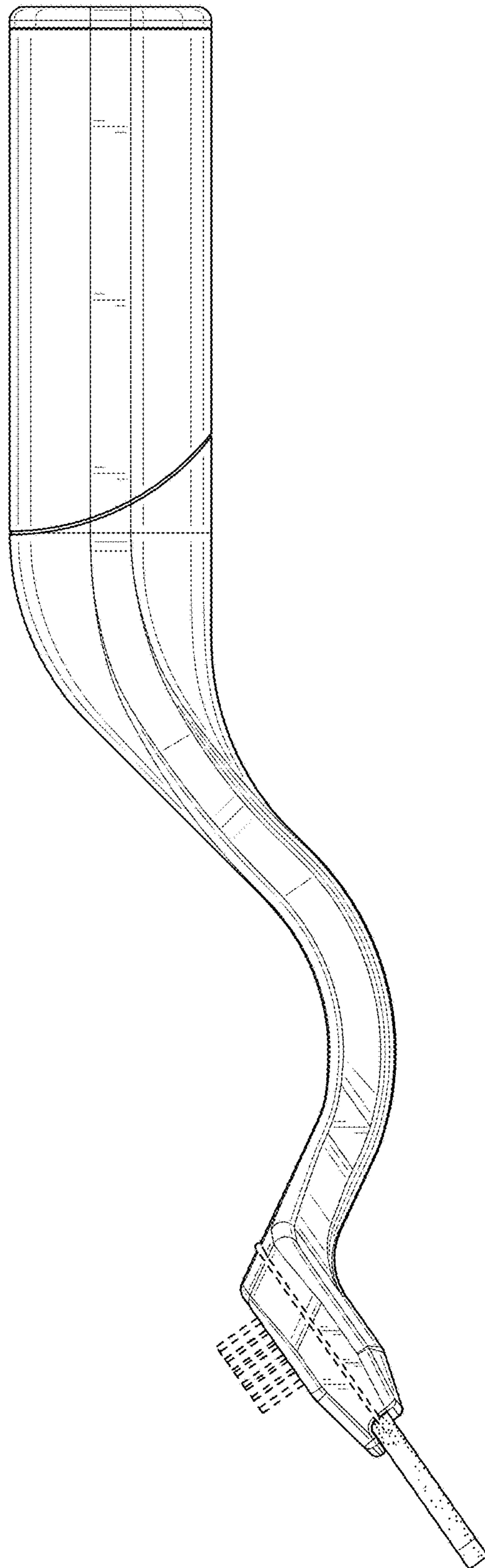


FIG. 5

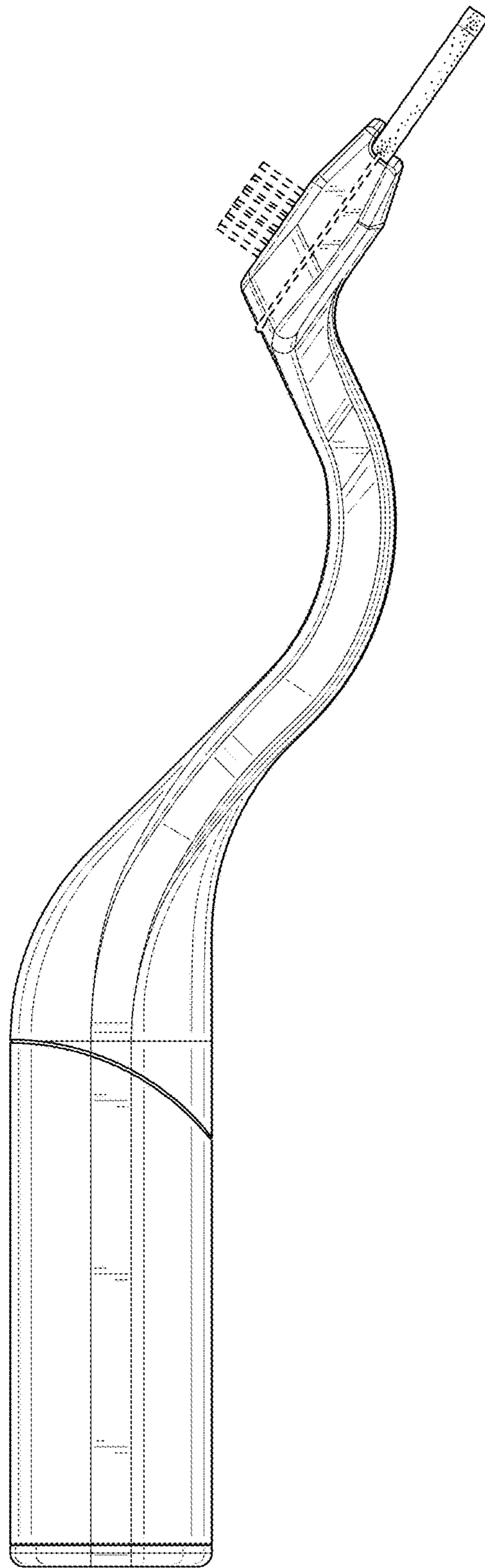


FIG. 6



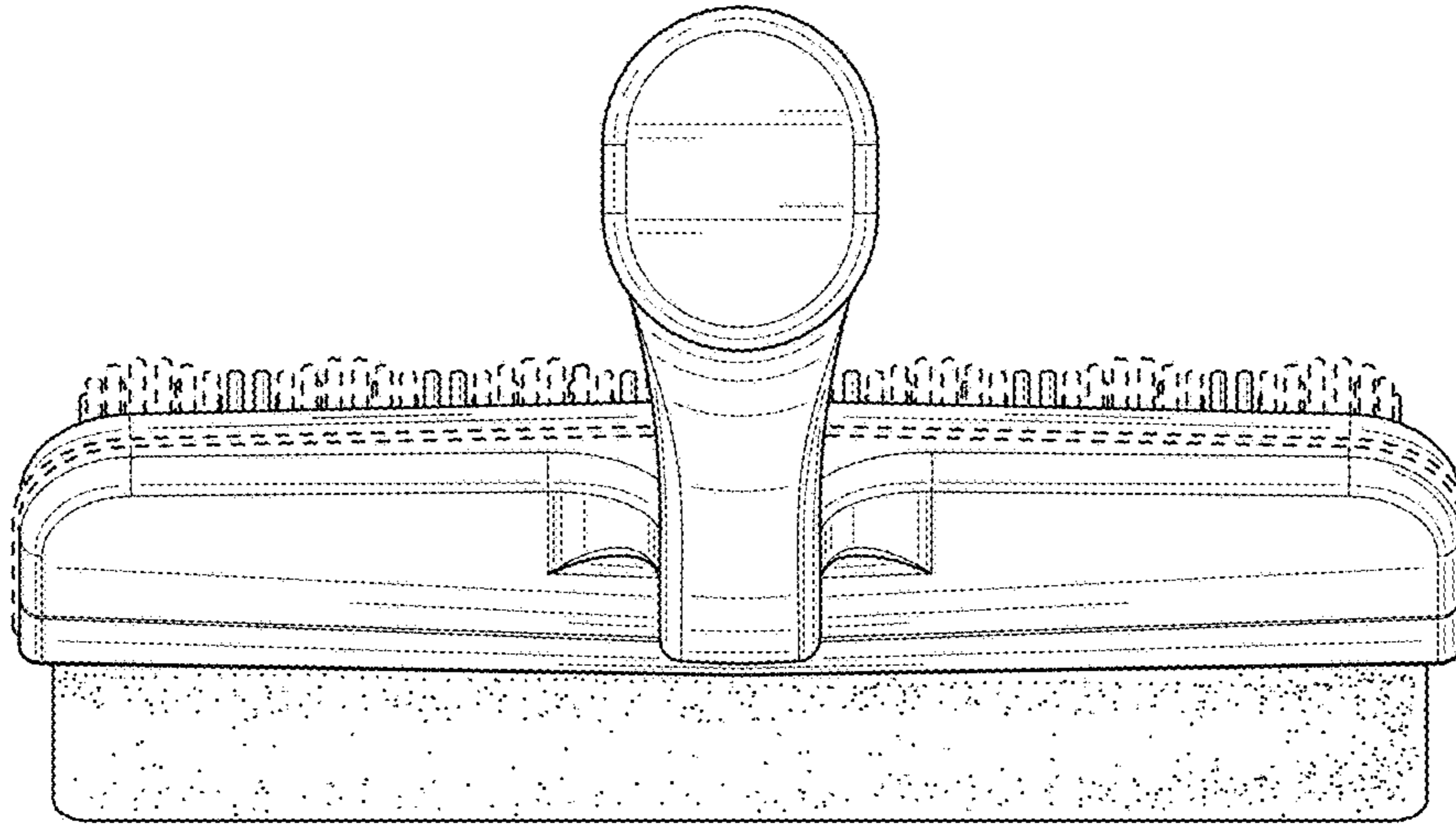


FIG. 7

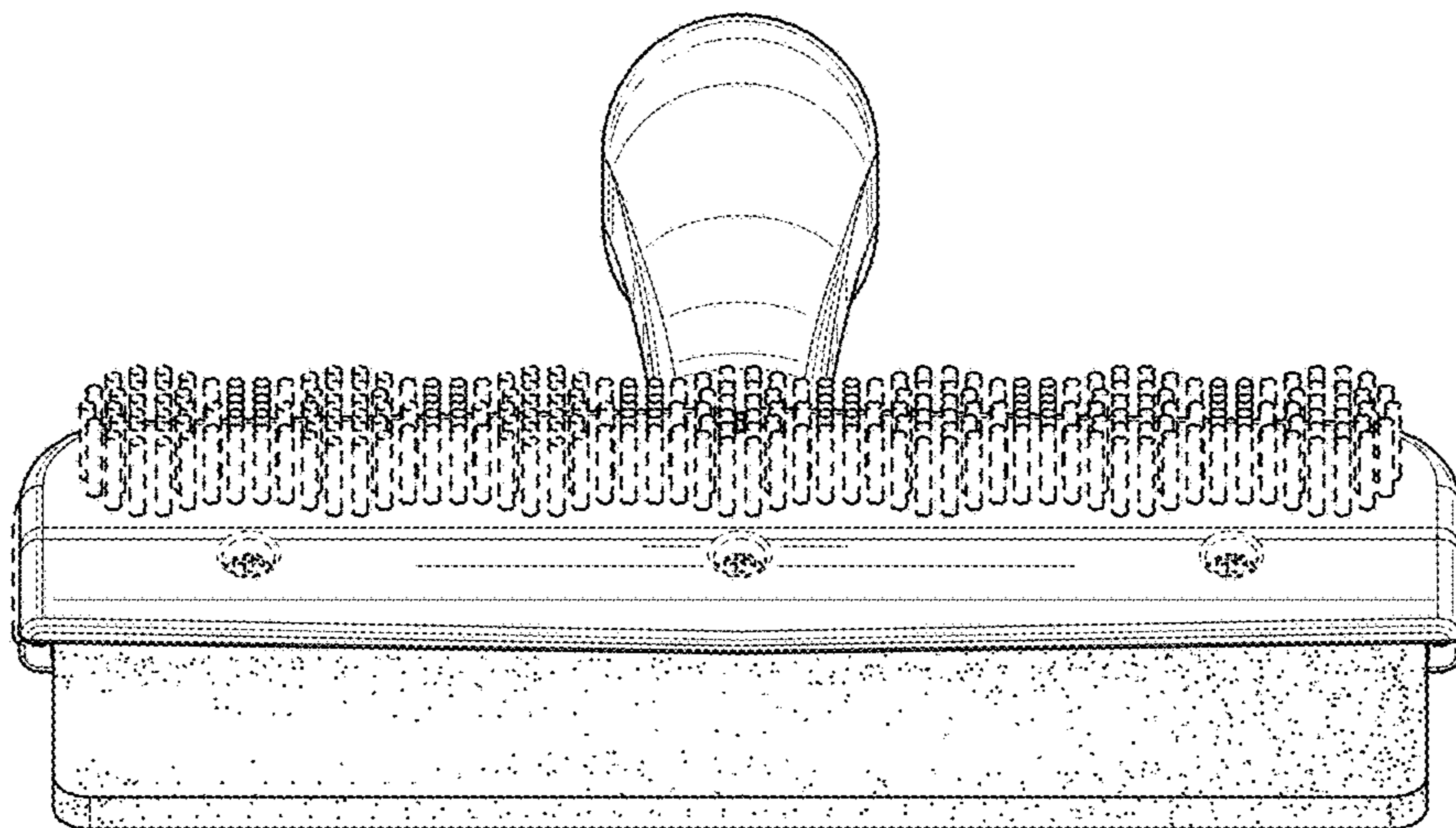


FIG. 8