



US00D840156S

(12) **United States Design Patent**  
**Samartgis**

(10) **Patent No.:** **US D840,156 S**

(45) **Date of Patent:** **\*\* Feb. 12, 2019**

(54) **CONTAINER CLIP**

(71) Applicant: **THE DECOR CORPORATION PTY LTD**, Scoresby, Vic (AU)

(72) Inventor: **Jim Samartgis**, Bulleen (AU)

(73) Assignee: **The Decor Corporation Pty Ltd**, Scoresby, Victoria (AU)

(\*\*) Term: **15 Years**

(21) Appl. No.: **29/628,773**

(22) Filed: **Dec. 7, 2017**

(51) **LOC (11) Cl.** ..... **03-01**

(52) **U.S. Cl.**

USPC ..... **D3/318**

(58) **Field of Classification Search**

USPC ..... D3/318, 228; D9/443

CPC ..... B65D 45/16; E05C 19/06

See application file for complete search history.

(56) **References Cited**

**U.S. PATENT DOCUMENTS**

3,776,583 A \* 12/1973 Biscardi ..... E05C 19/06  
292/258

5,232,116 A \* 8/1993 Baxter ..... B65D 45/16  
220/324

5,462,222 A \* 10/1995 Boeck, II ..... B65D 5/069  
229/125.12

D737,140 S \* 8/2015 Lindsay ..... D9/443

D746,101 S \* 12/2015 Manley ..... D7/387

\* cited by examiner

*Primary Examiner* — Holly H Baynham

(74) *Attorney, Agent, or Firm* — Kilpatrick Townsend & Stockton LLP

(57) **CLAIM**

The ornamental design for a container clip, as shown and described.

**DESCRIPTION**

FIG. 1 is a top, front perspective view of the container clip showing my new design;

FIG. 2 is a bottom, rear perspective view thereof;

FIG. 3 is a top plan view thereof;

FIG. 4 is a bottom plan view thereof;

FIG. 5 is a front elevational view thereof;

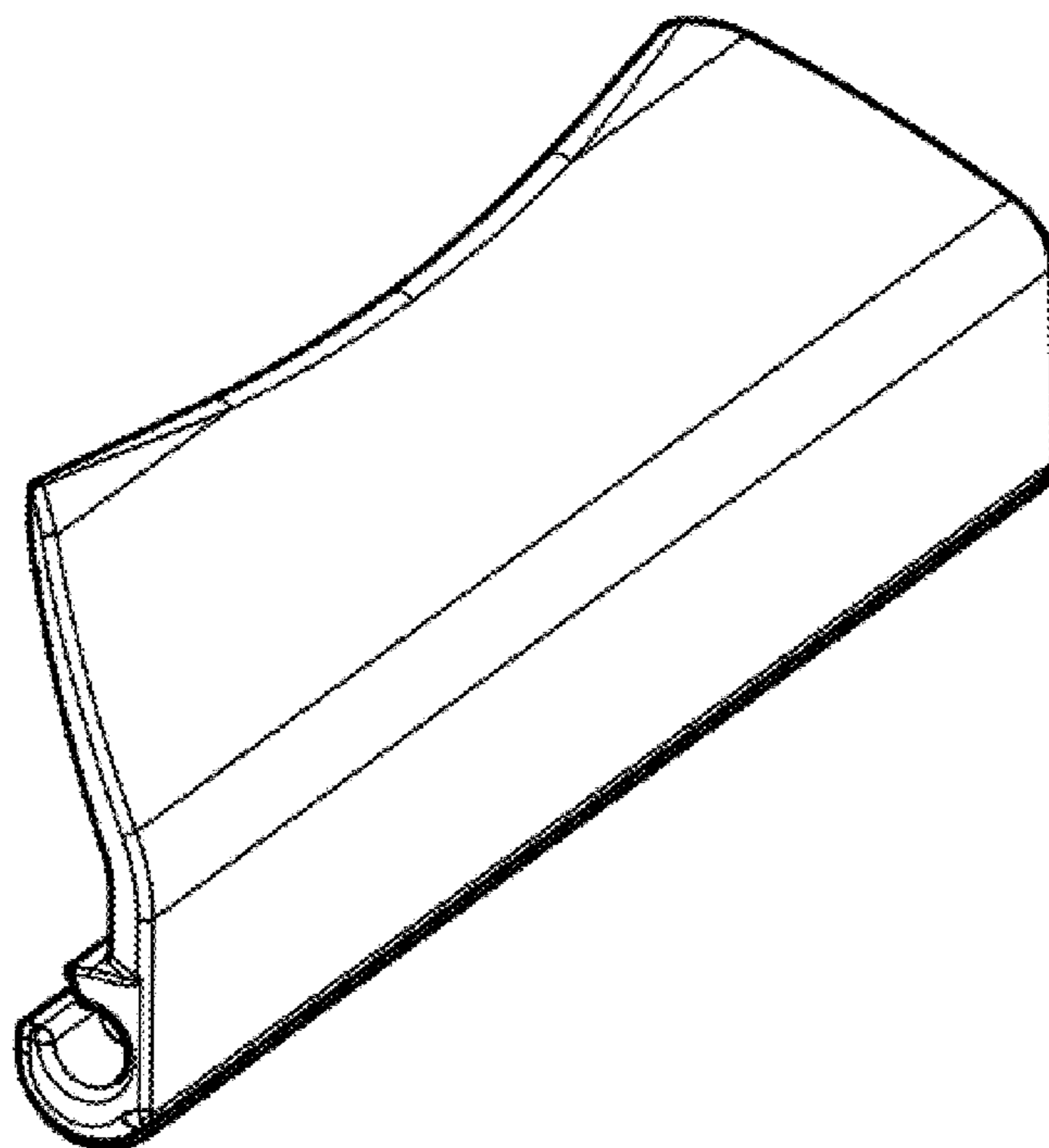
FIG. 6 is a rear elevational view thereof;

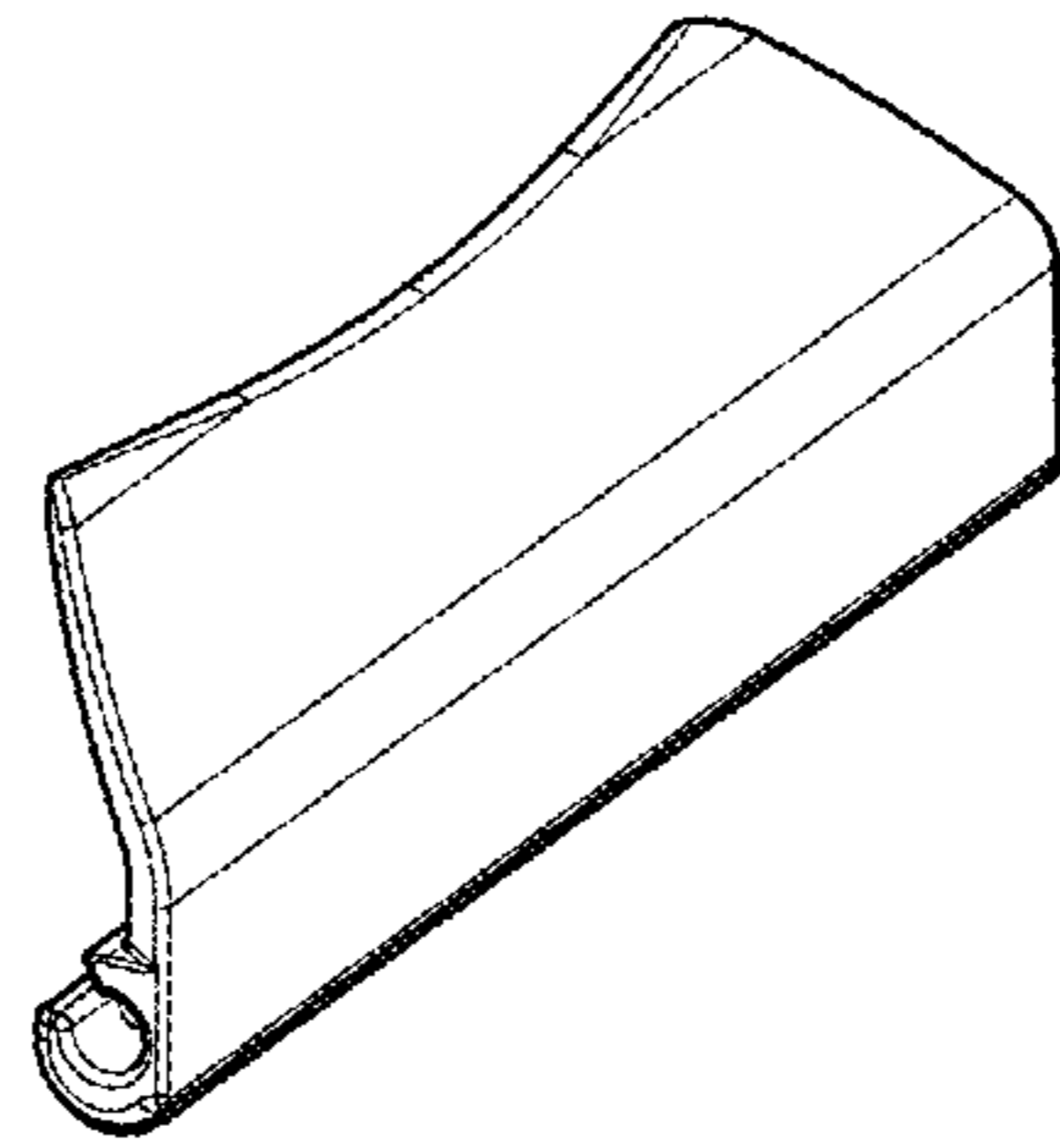
FIG. 7 is a left side elevational view thereof; and,

FIG. 8 is a right side elevational view thereof.

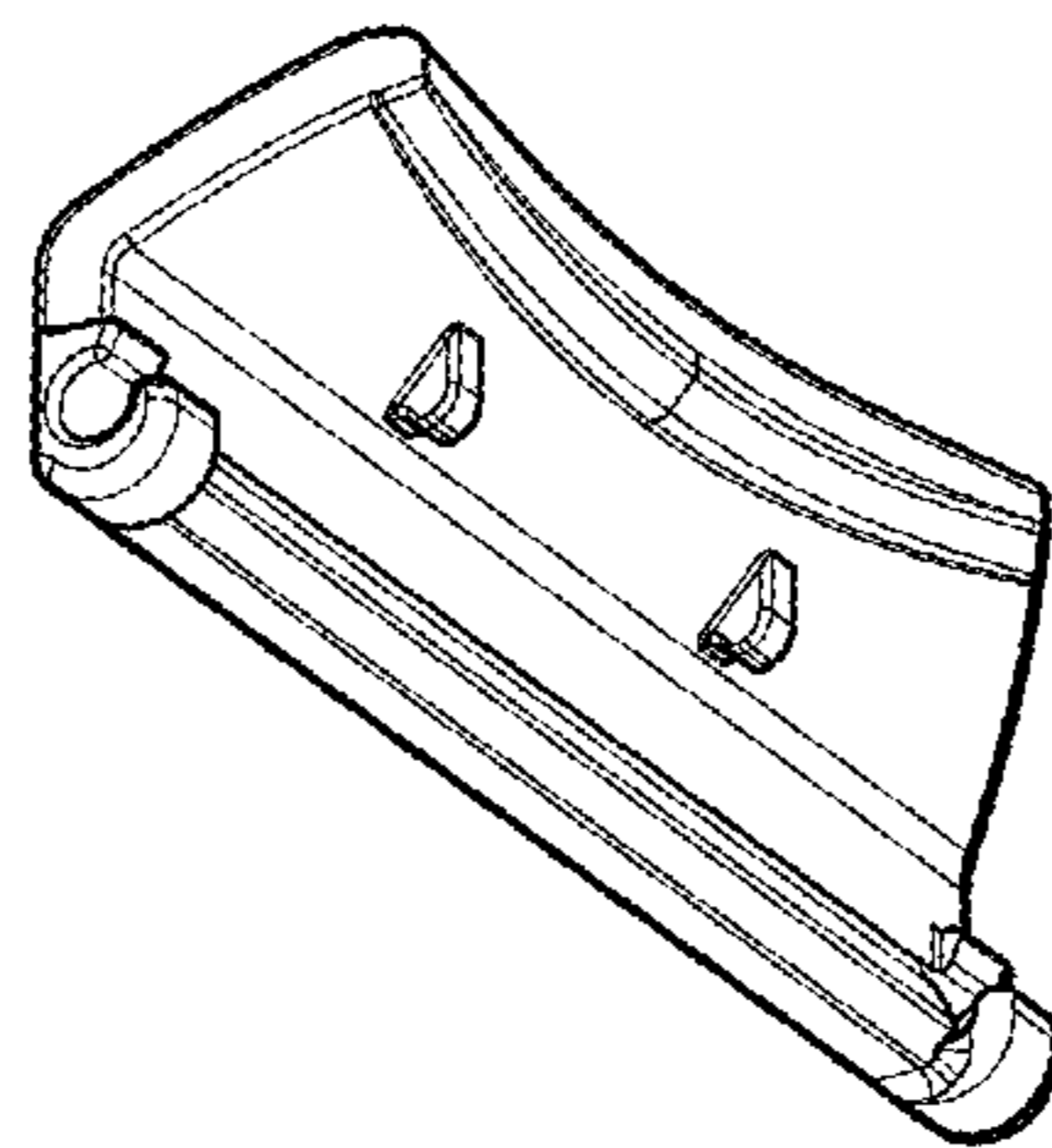
The broken lines showing a container are for the purposes of illustrating environment and form no part of the claimed design.

**1 Claim, 4 Drawing Sheets**

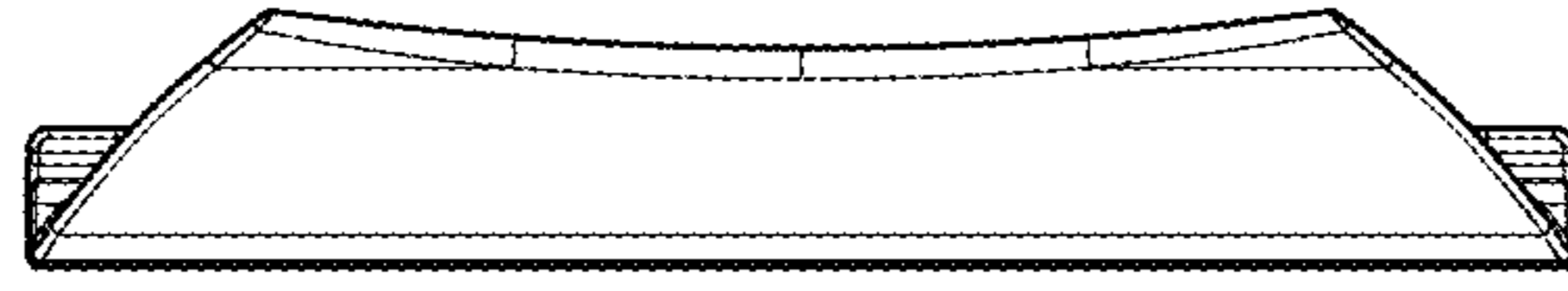




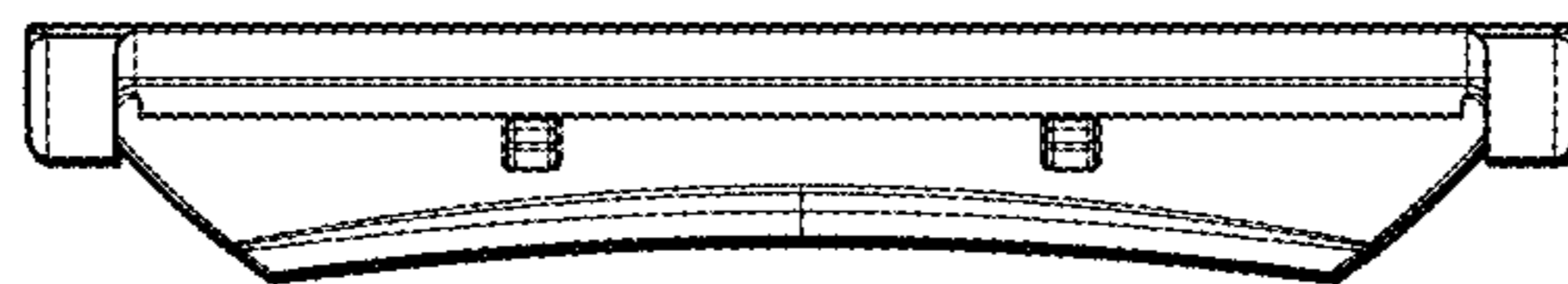
**Figure 1**



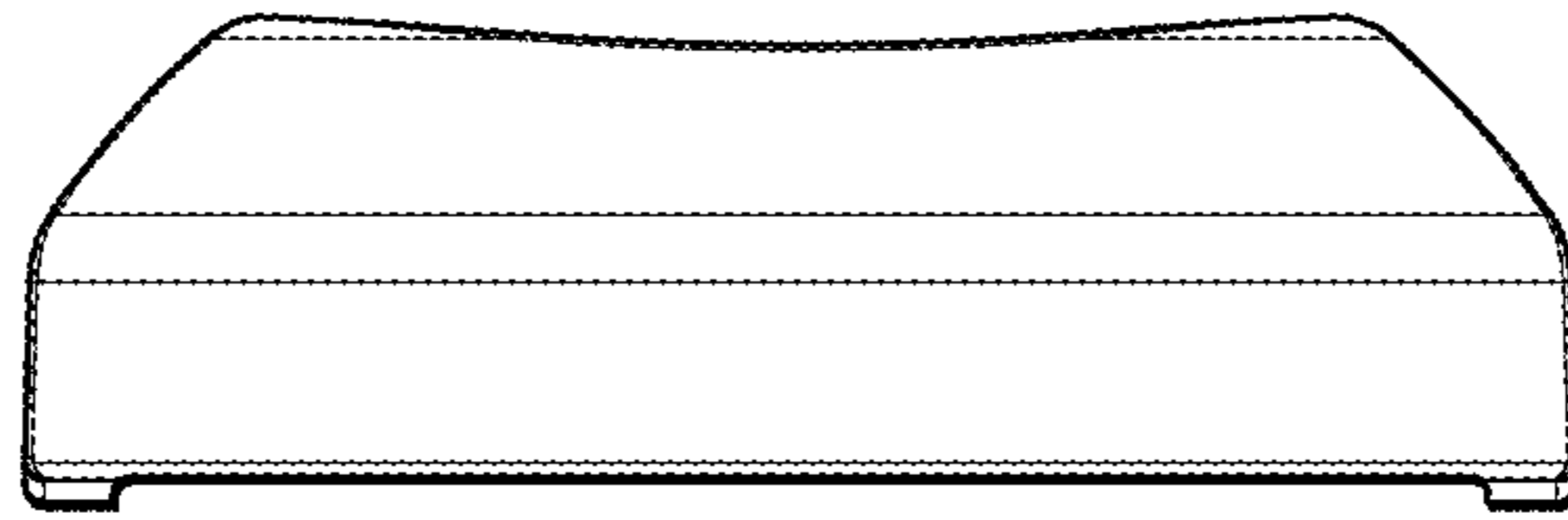
**Figure 2**



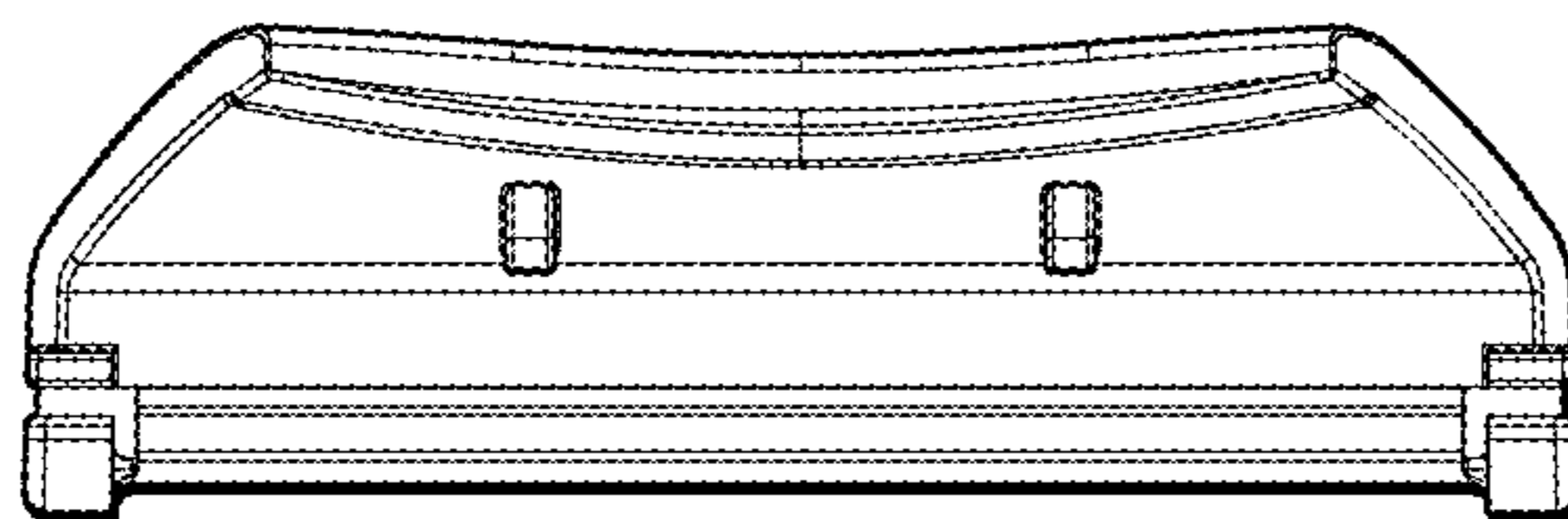
**Figure 3**



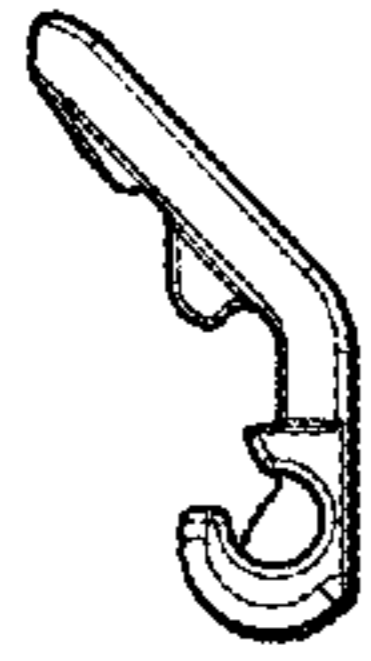
**Figure 4**



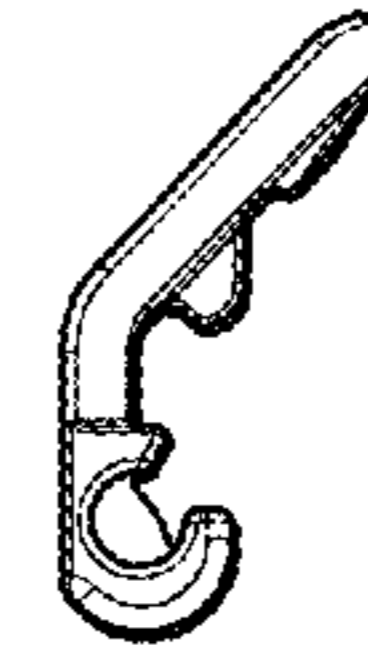
**Figure 5**



**Figure 6**



**Figure 7**



**Figure 8**