



US00D840153S

(12) **United States Design Patent** (10) **Patent No.:** **US D840,153 S**  
**Persellin** (45) **Date of Patent:** **\*\* Feb. 12, 2019**

(54) **CARRIER STRAP**

OTHER PUBLICATIONS

(71) Applicant: **Avi Persellin**, Tucson, AZ (US)

Yoga Mat Strap, Sep. 21, 2016.

(72) Inventor: **Avi Persellin**, Tucson, AZ (US)

\* cited by examiner

(\*\*) Term: **15 Years**

*Primary Examiner* — Charles D Hanson

(21) Appl. No.: **29/584,337**

(74) *Attorney, Agent, or Firm* — Grossman Tucker

(22) Filed: **Nov. 14, 2016**

Perreault & Pfleger PLLC

(51) **LOC (11) Cl.** ..... **03-03**

(57) **CLAIM**

(52) **U.S. Cl.**

The ornamental design for a carrier strap, as shown.

USPC ..... **D3/315**

(58) **Field of Classification Search**

**DESCRIPTION**

USPC ..... D3/202, 257, 261, 315, 316, 327

CPC ..... A45F 3/04

See application file for complete search history.

FIG. 1 is a perspective view of a carrier strap showing my new design;

FIG. 2 is a top elevation view thereof;

FIG. 3 is a bottom elevation view thereof;

FIG. 4 is a front elevation view thereof;

FIG. 5 is a back elevation view thereof;

FIG. 6 is a left side elevation thereof;

FIG. 7 is a right side elevation view thereof; and,

FIG. 8 is an example of operation wherein the carrier strap is engaged to carry an object.

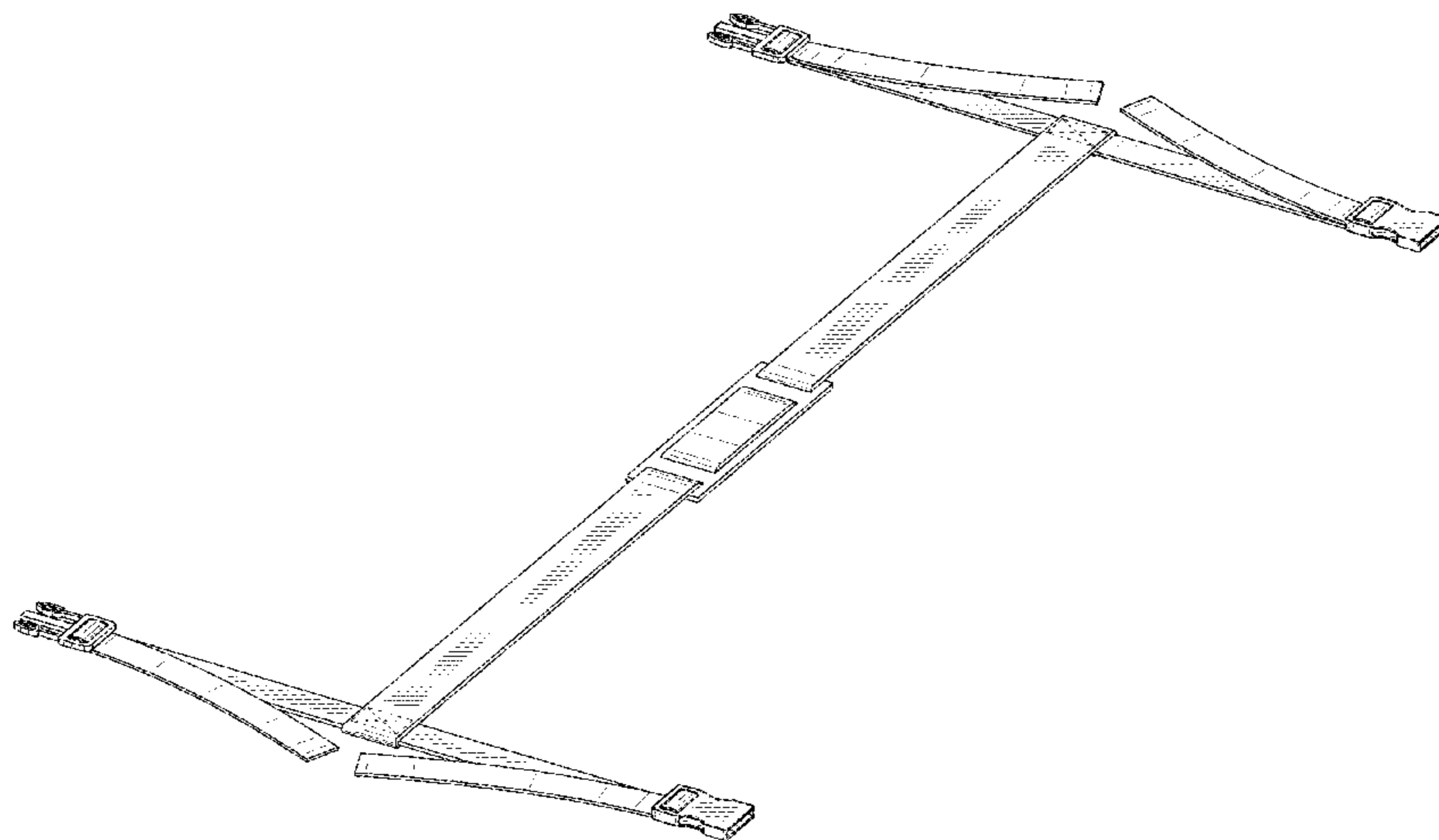
Applicant clarifies that broken-line crosses (“X”) visible at opposing ends of the carrier strap in FIGS. 1, 2, 3 and 8 are to indicate stitching for joining portions of the carrier strap, while the broken lines that substantially surround the carrier strap in FIG. 8 are to indicate an environment in which the carrier strap may operate, for example while the carrier strap is carrying an object.

(56) **References Cited**

U.S. PATENT DOCUMENTS

D396,347	S	*	7/1998	Jenkins	.....	D3/327
D403,162	S	*	12/1998	Williams	.....	D3/229
D410,335	S	*	6/1999	Raich	.....	D3/315
5,961,014	A	*	10/1999	Knerr	.....	A45F 3/04
						224/153
D447,862	S	*	9/2001	Vagelatos	.....	D3/202
D455,009	S	*	4/2002	Thayer	.....	D3/316
D474,888	S	*	5/2003	Gillenwater	.....	D3/221
D542,526	S	*	5/2007	Zellmer	.....	D3/257
D542,537	S	*	5/2007	Schwartz	.....	D3/316
D607,115	S	*	12/2009	Bellamy-Noseworthy	.....	D24/199
D650,586	S	*	12/2011	Hutcheson	.....	D3/316
D655,090	S	*	3/2012	Puckett	.....	D3/327
D743,628	S	*	11/2015	Millington	.....	D29/101.1

**1 Claim, 5 Drawing Sheets**



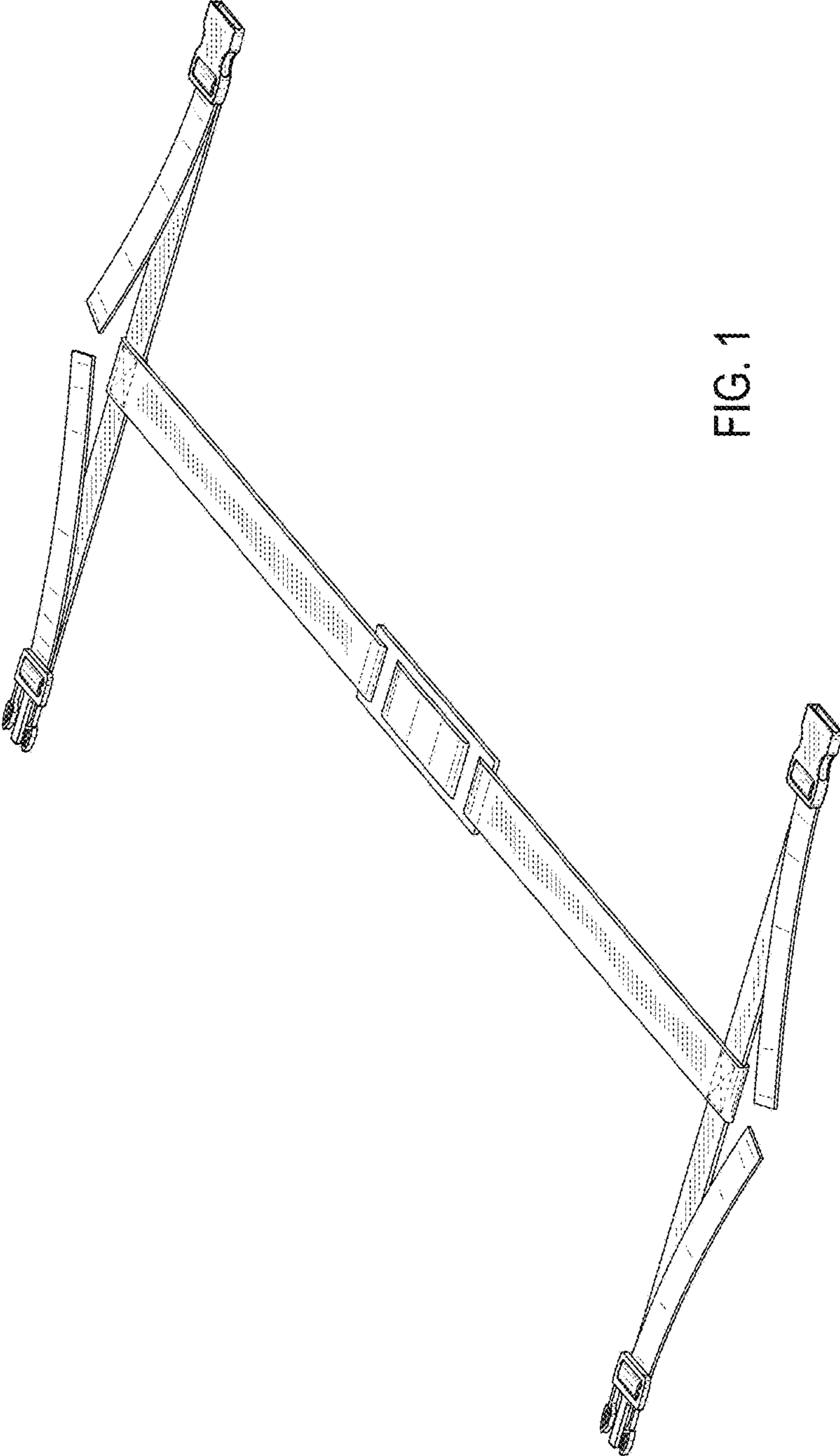


FIG. 1

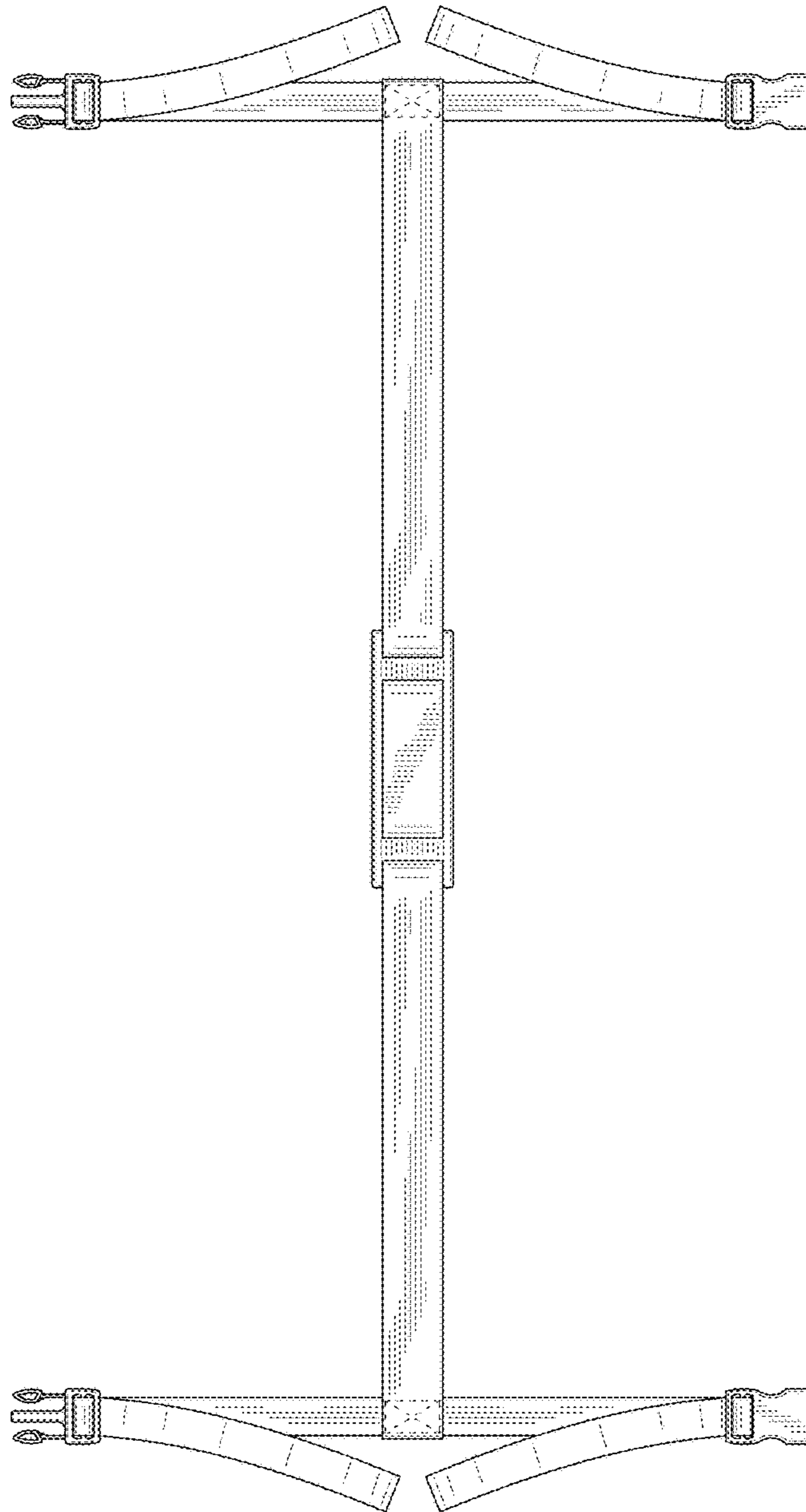


FIG. 2

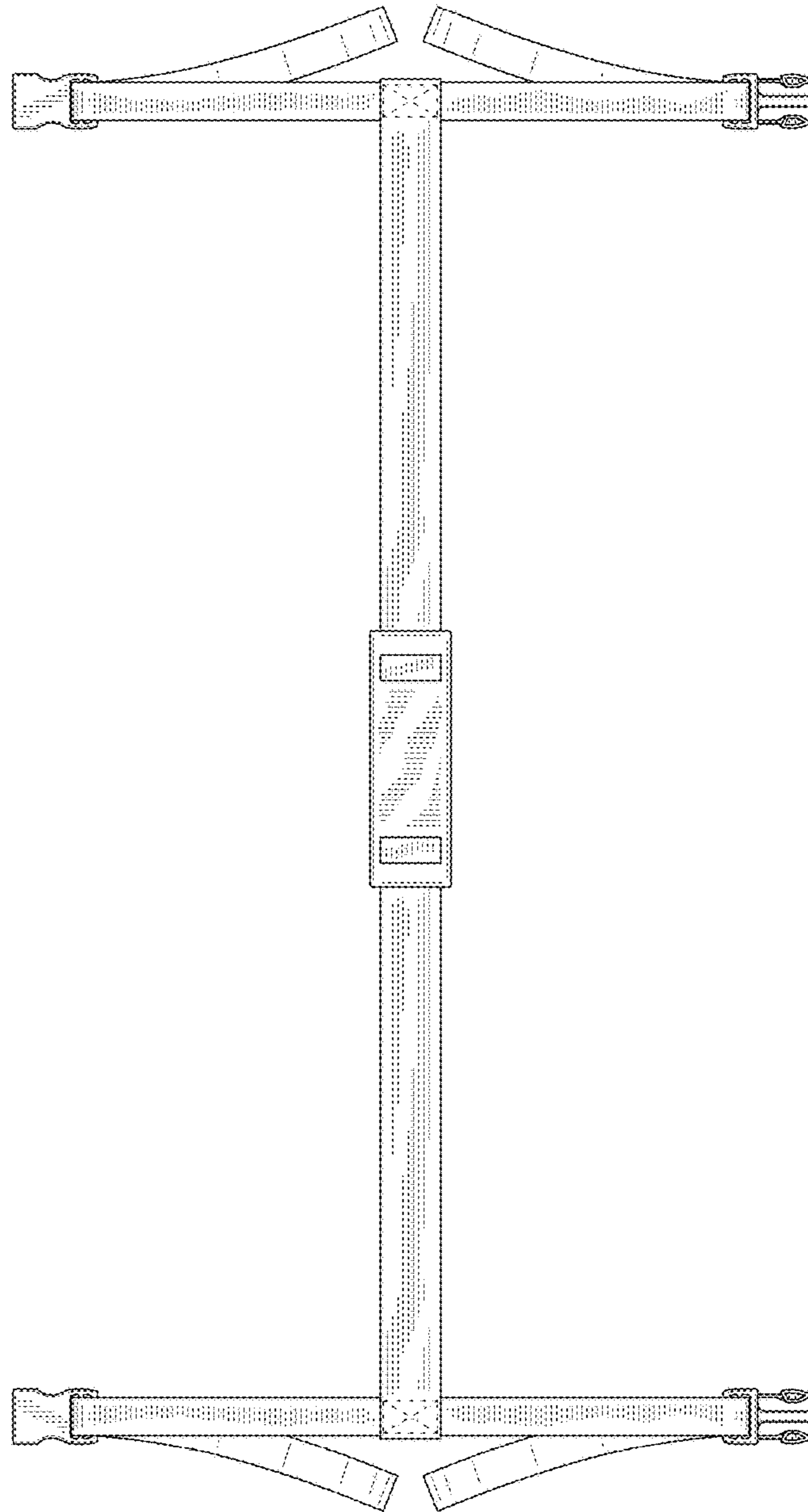


FIG. 3

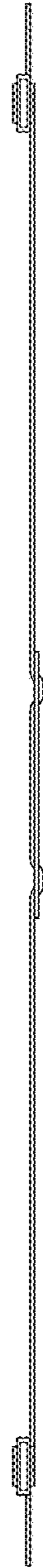


FIG. 4

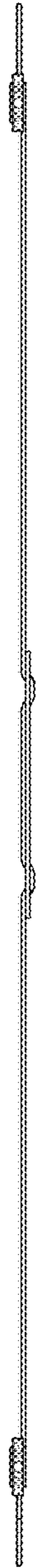


FIG. 5



FIG. 6



FIG. 7

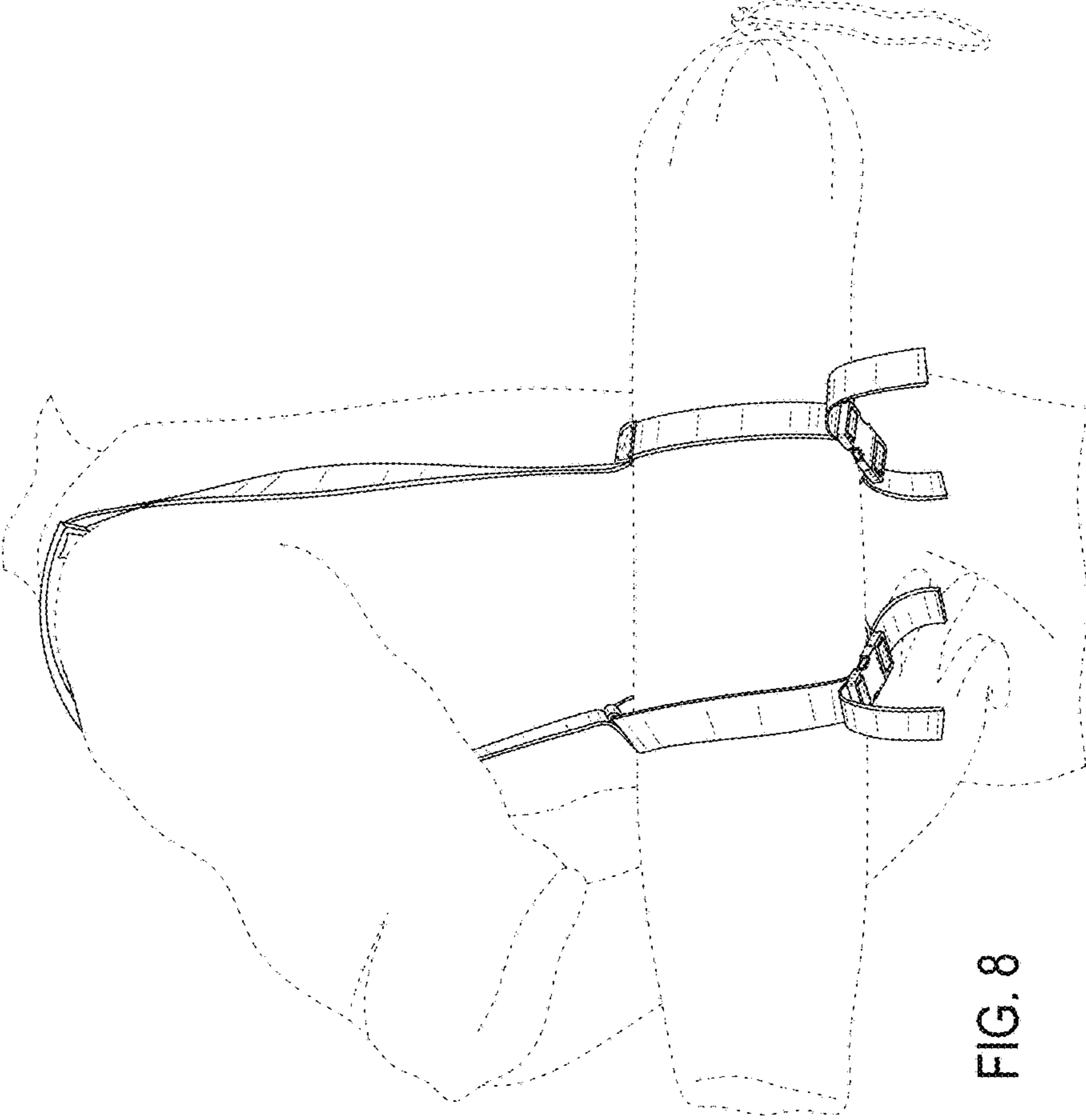


FIG. 8