



US00D840151S

(12) **United States Design Patent** (10) **Patent No.:** **US D840,151 S**  
**Mazor** (45) **Date of Patent:** **\*\* Feb. 12, 2019**

(54) **CONTAINER**

(71) Applicant: **CURVER Luxembourg Sarl,**  
Neidercom (LU)

(72) Inventor: **Reut Mazor,** Herzliya (IL)

(73) Assignee: **CURVER LUXEMBOURG SARL,**  
Neidercorn (LU)

(\*\*) Term: **15 Years**

(21) Appl. No.: **29/635,448**

(22) Filed: **Jan. 31, 2018**

(51) **LOC (11) Cl.** ..... **03-01**

(52) **U.S. Cl.**  
USPC ..... **D3/306**

(58) **Field of Classification Search**  
USPC ..... D3/304-315; D6/512, 525, 672, 675;  
D32/37  
CPC ... B65D 1/00; B65D 5/46072; B65D 81/3813  
See application file for complete search history.

(56) **References Cited**

**U.S. PATENT DOCUMENTS**

512,404	A *	1/1894	Eviston	.....	B65D 9/10 217/122
1,173,746	A *	2/1916	Sargent	.....	B65D 9/10 217/122
D426,956	S *	6/2000	Lacy	.....	D3/304
D643,584	S *	8/2011	Duvigneau	.....	D32/37
D643,585	S *	8/2011	Duvigneau	.....	D32/37
D706,507	S *	6/2014	Duvigneau	.....	D32/37
D706,508	S *	6/2014	Duvigneau	.....	D32/37
D719,733	S *	12/2014	Liu	.....	D3/306
D735,602	S *	8/2015	Anderson	.....	D11/155
D756,651	S *	5/2016	Ruiz	.....	D3/309
D759,976	S *	6/2016	Hardy	.....	D3/306
D776,926	S *	1/2017	Duvigneau	.....	D3/306
D777,432	S *	1/2017	Duvigneau	.....	D3/306
D789,089	S *	6/2017	Duvigneau	.....	D3/306

(Continued)

*Primary Examiner* — Kelley A Donnelly

(74) *Attorney, Agent, or Firm* — Dorsey & Whitney LLP

(57) **CLAIM**

I claim the ornamental design for a container, as shown and described.

**DESCRIPTION**

FIG. 1 is a top perspective view of a container, according to a first embodiment;

FIG. 2 is a side view thereof; the other side being a mirror image;

FIG. 3 is a front view thereof; the rear side being a mirror image;

FIG. 4 is a bottom perspective view thereof;

FIG. 5 is a bottom view thereof;

FIG. 6 is a top view thereof;

FIG. 7 is a top perspective view of a container, according to a second embodiment;

FIG. 8 is a bottom perspective view thereof;

FIG. 9 is a side view thereof; the other side being a mirror image;

FIG. 10 is a front view thereof; the rear side being a mirror image;

FIG. 11 is a top view thereof;

FIG. 12 is a bottom view thereof;

FIG. 13 is a top perspective view of a container, according to a third embodiment;

FIG. 14 is a bottom perspective view thereof;

FIG. 15 is a side view thereof; the other side being a mirror image;

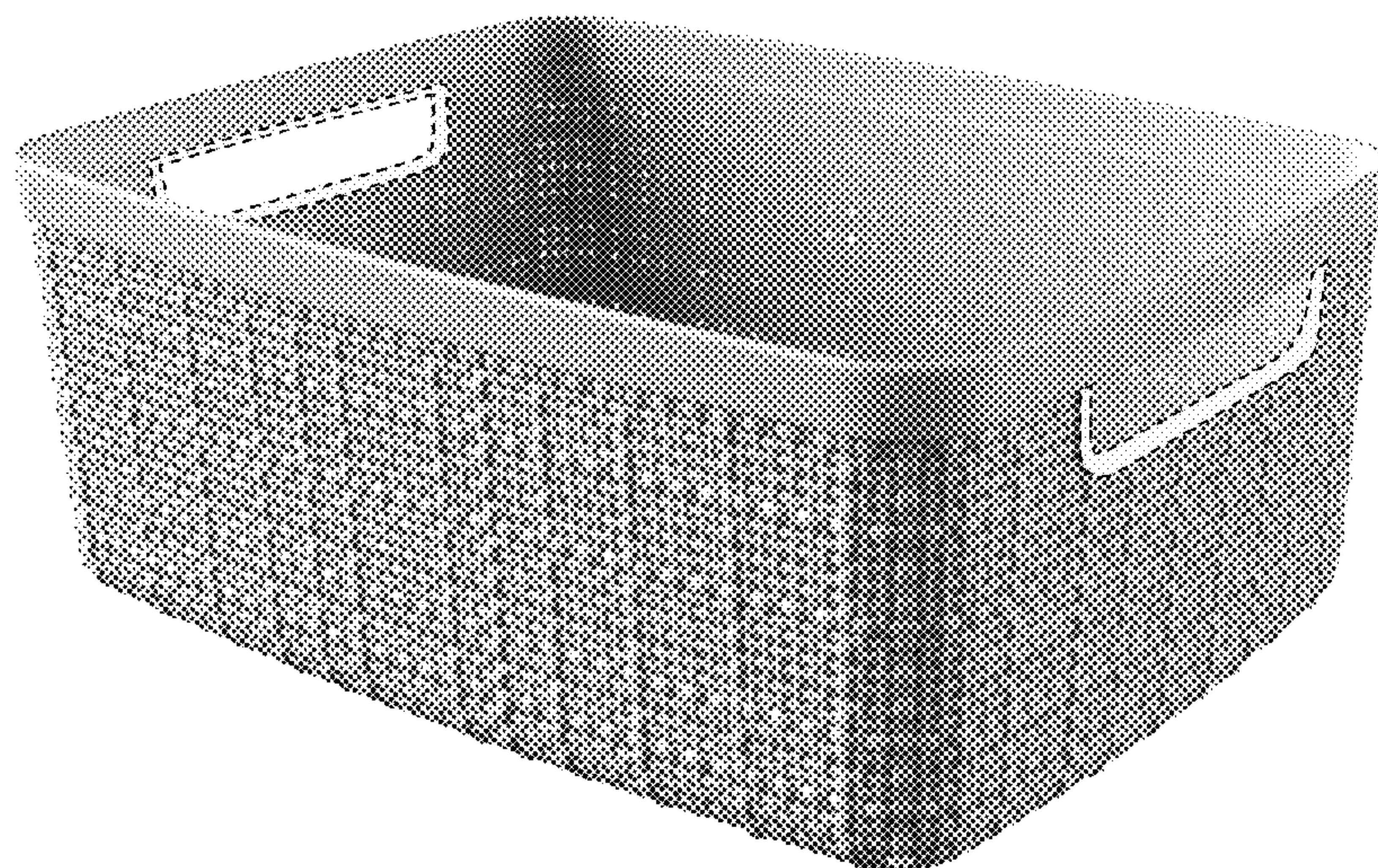
FIG. 16 is a front view thereof; the rear side being a mirror image;

FIG. 17 is a top view thereof; and,

FIG. 18 is a bottom view thereof.

The broken lines depict environmental subject matter only and form no part of the claimed design.

**1 Claim, 18 Drawing Sheets**



(56)

**References Cited**

U.S. PATENT DOCUMENTS

D793,731 S	*	8/2017	Duvigneau .....	D3/308
D798,517 S	*	9/2017	Duvigneau .....	D32/37
D802,927 S	*	11/2017	Thoma .....	D3/307
D815,834 S	*	4/2018	Felsenthal .....	D3/307
D824,621 S	*	7/2018	Duvigneau .....	D32/37

\* cited by examiner



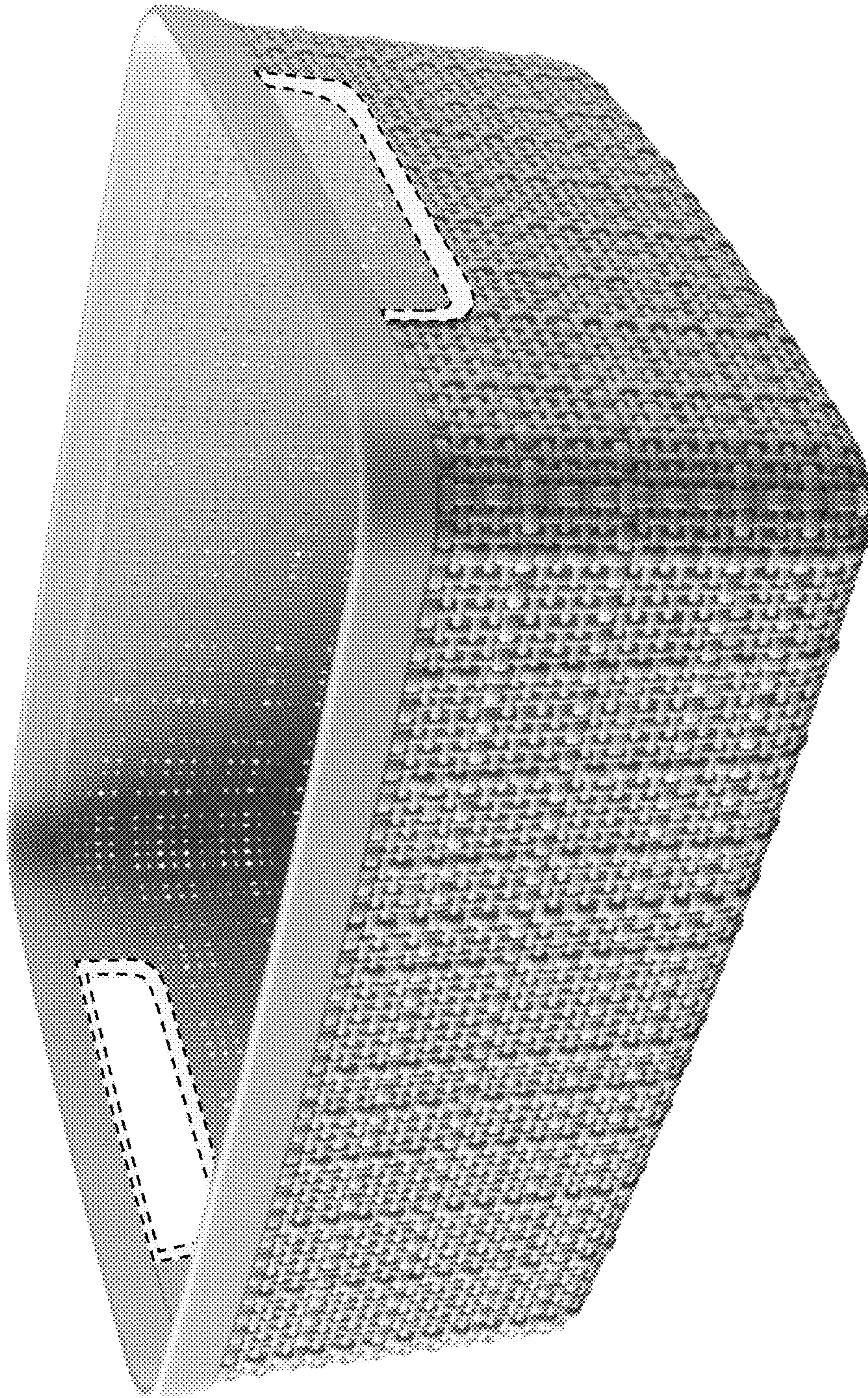


FIG. 1



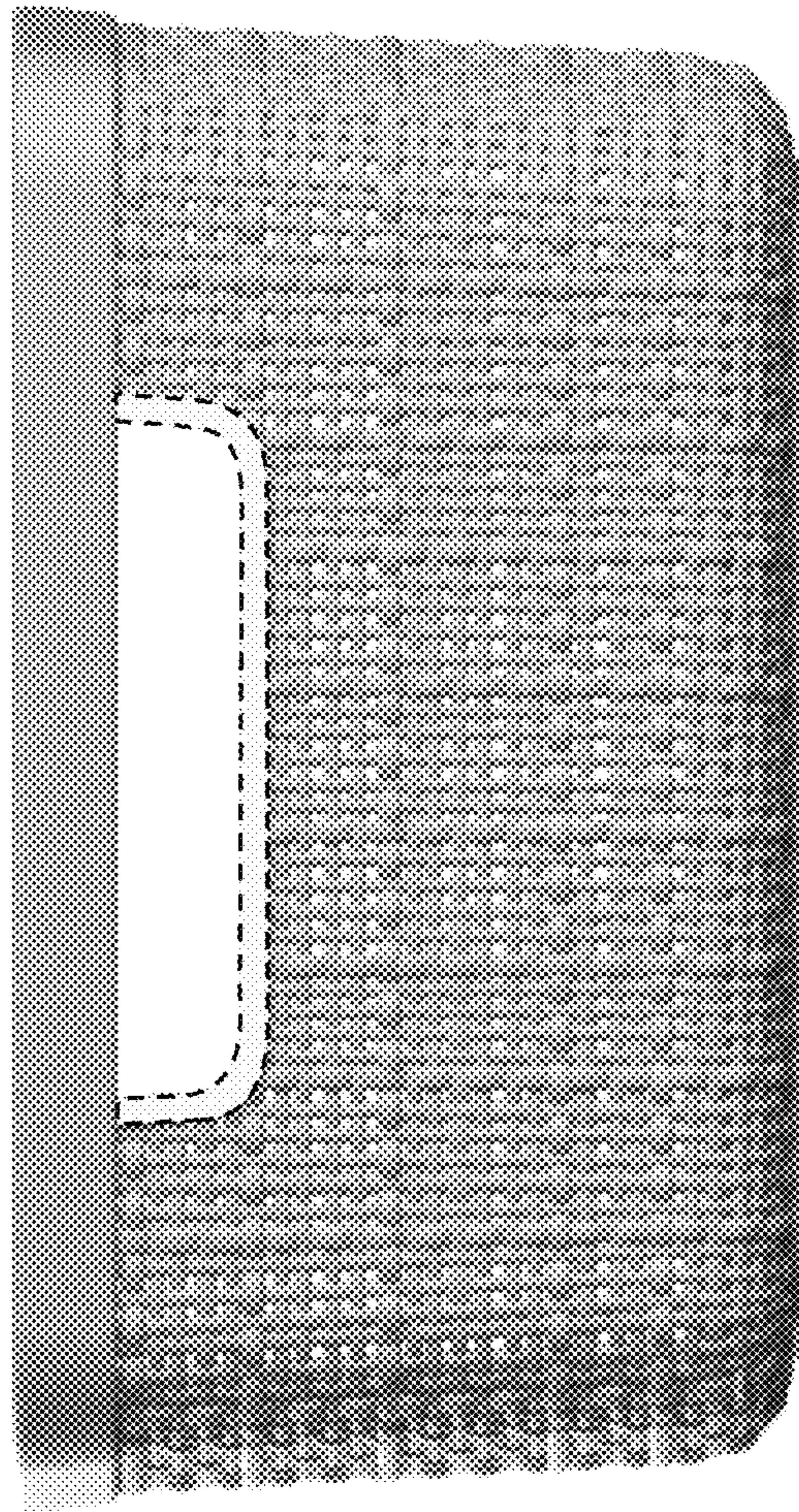


FIG. 2



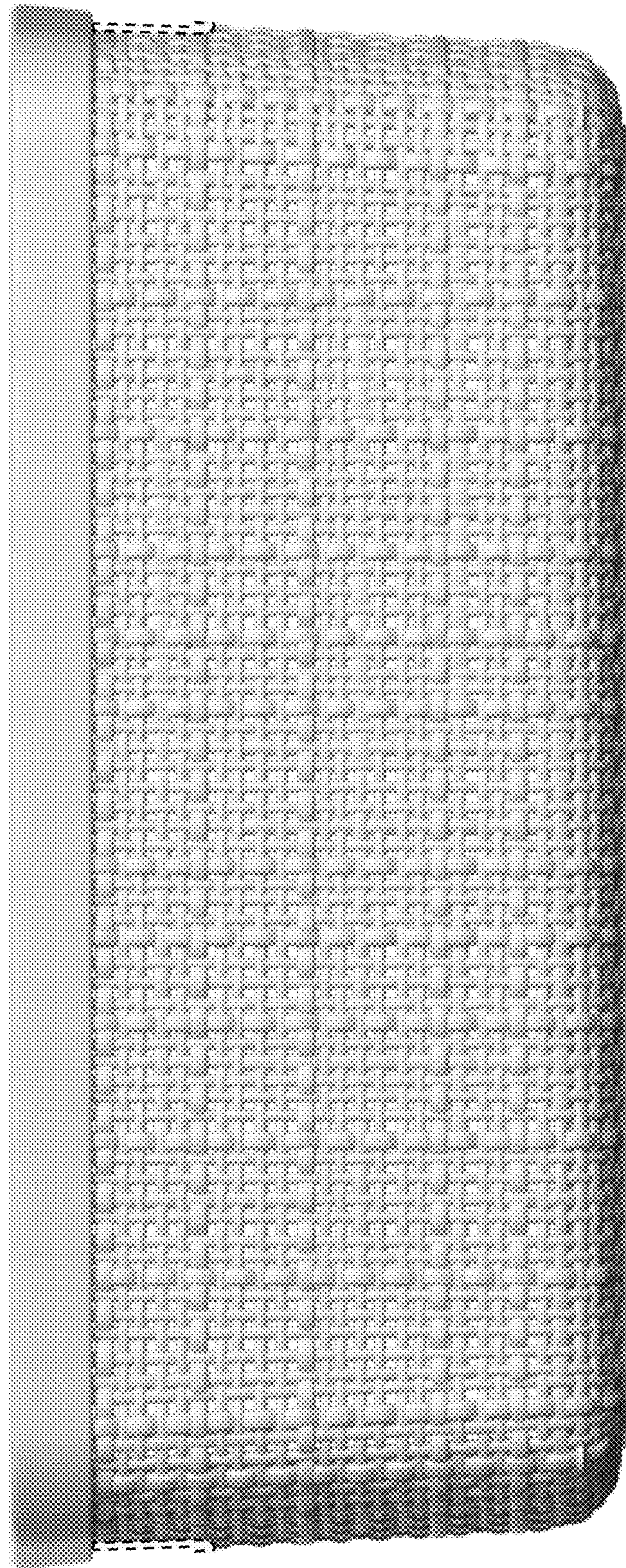


FIG. 3



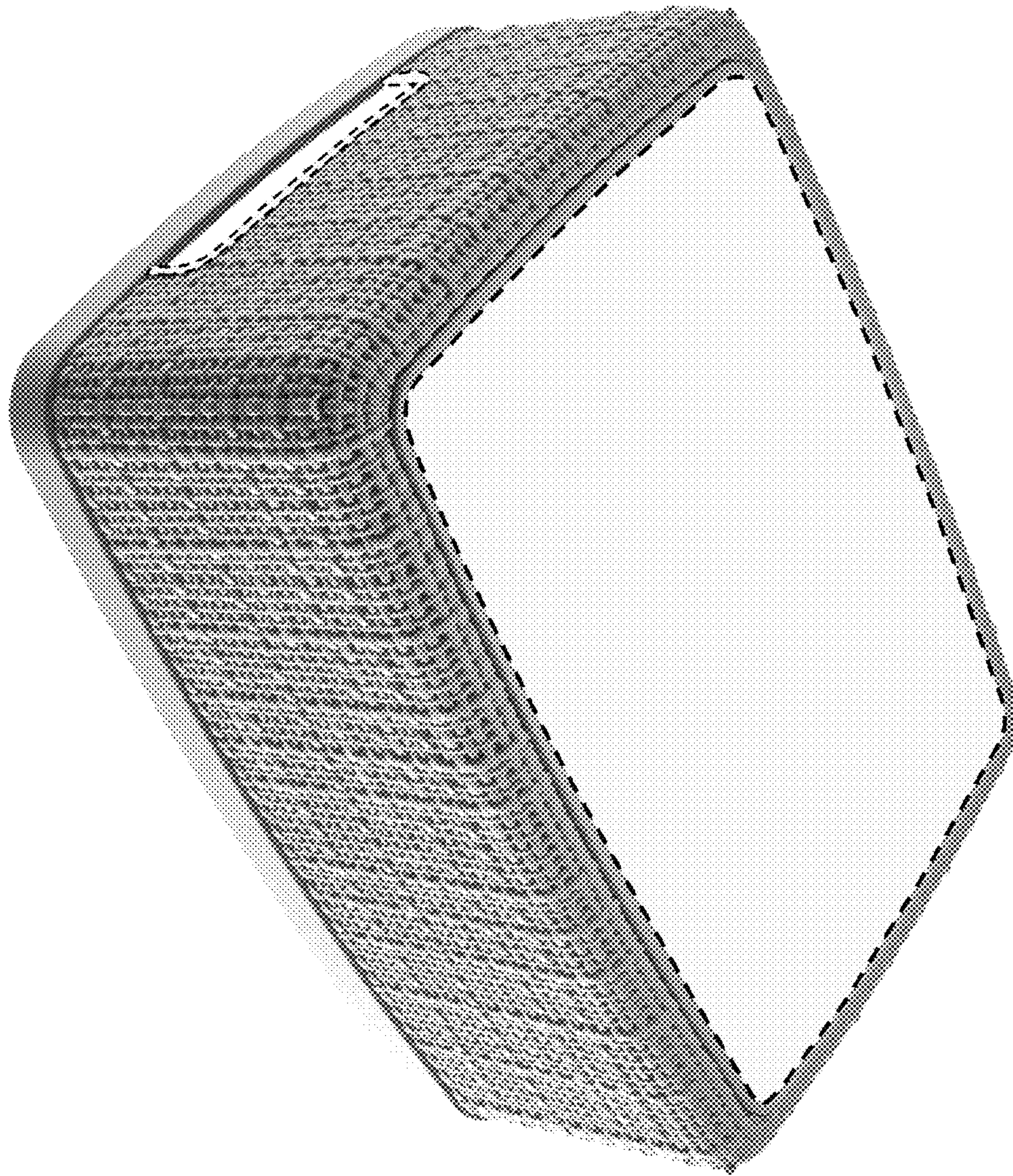


FIG. 4



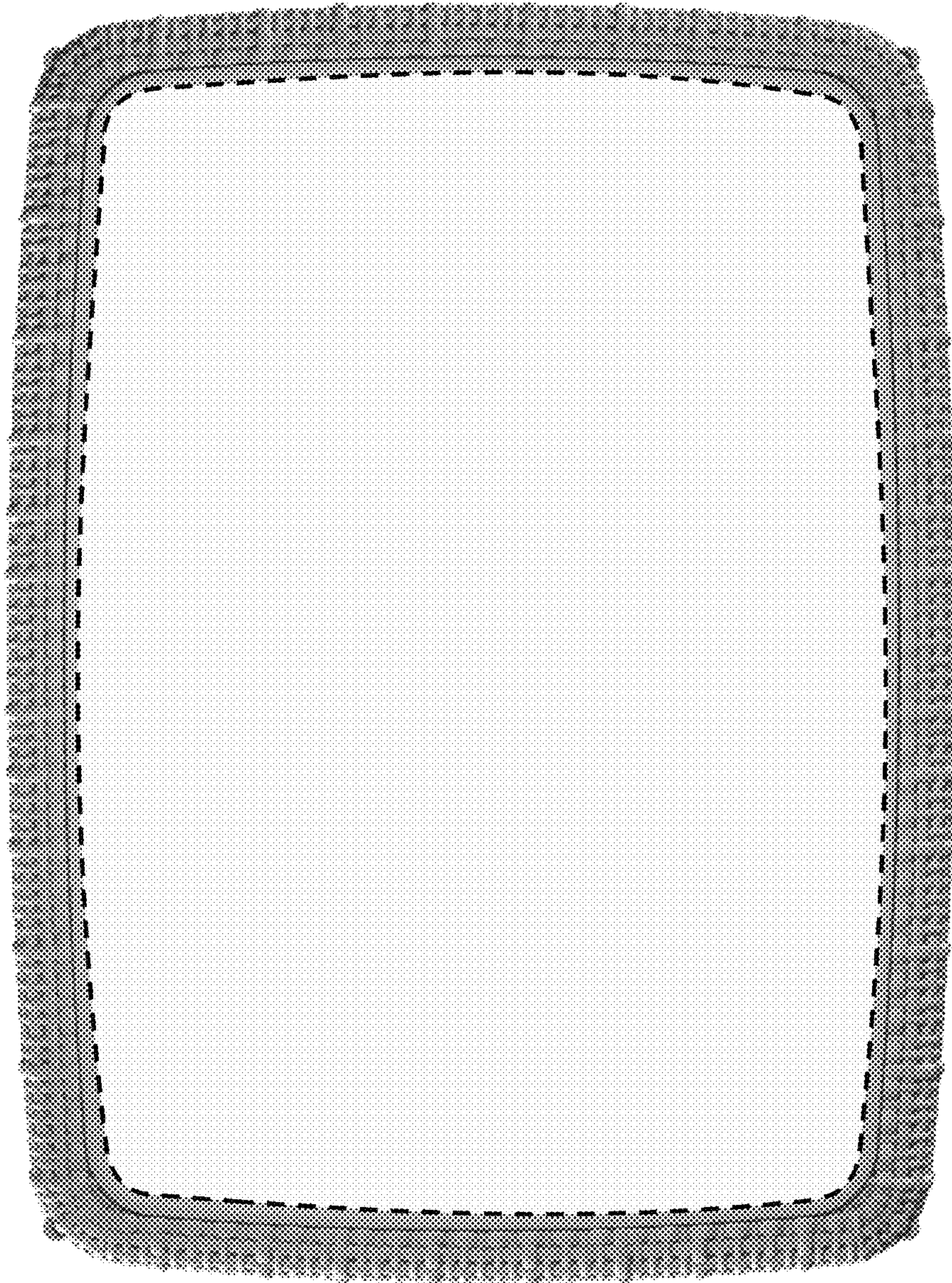


FIG. 5



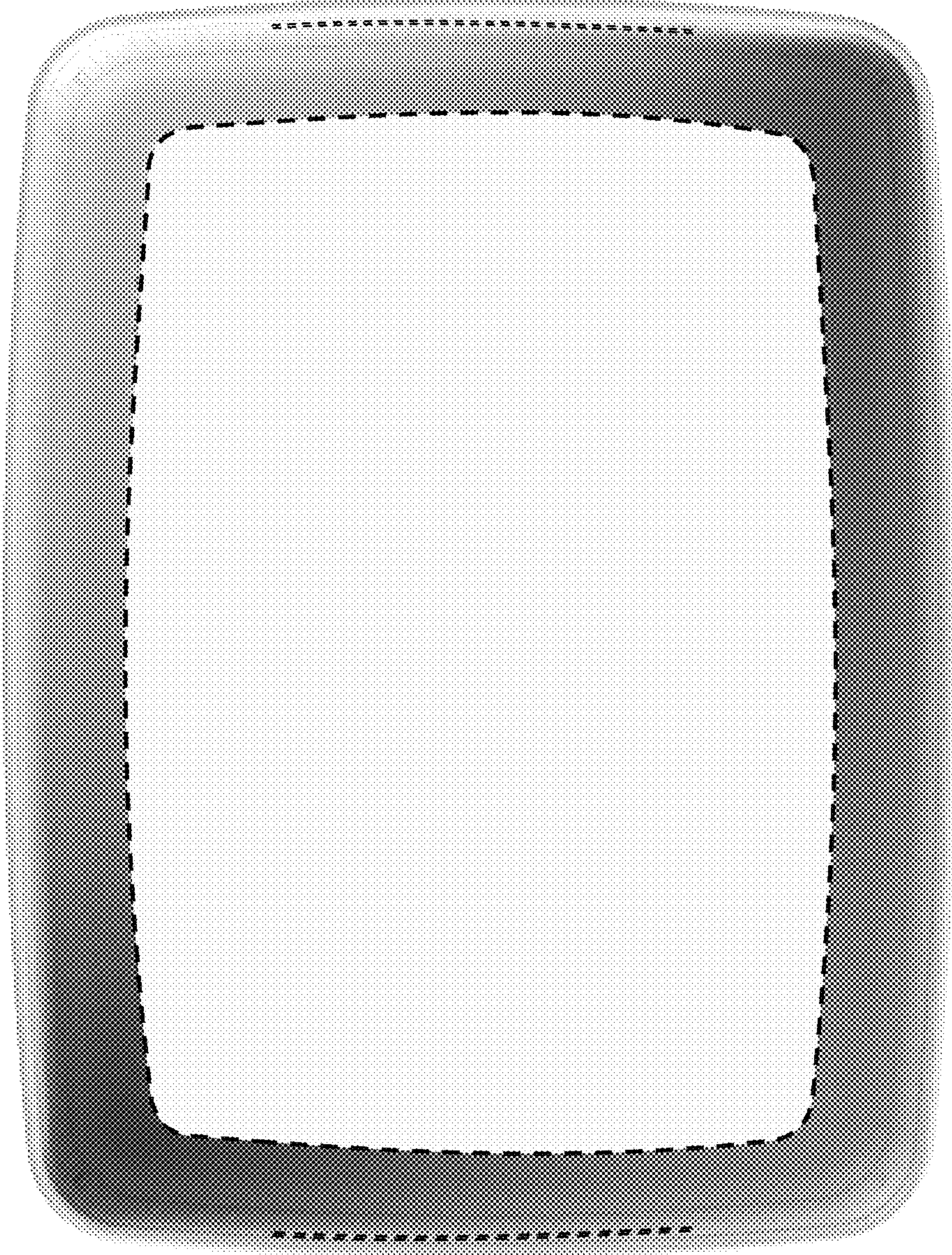


FIG. 6



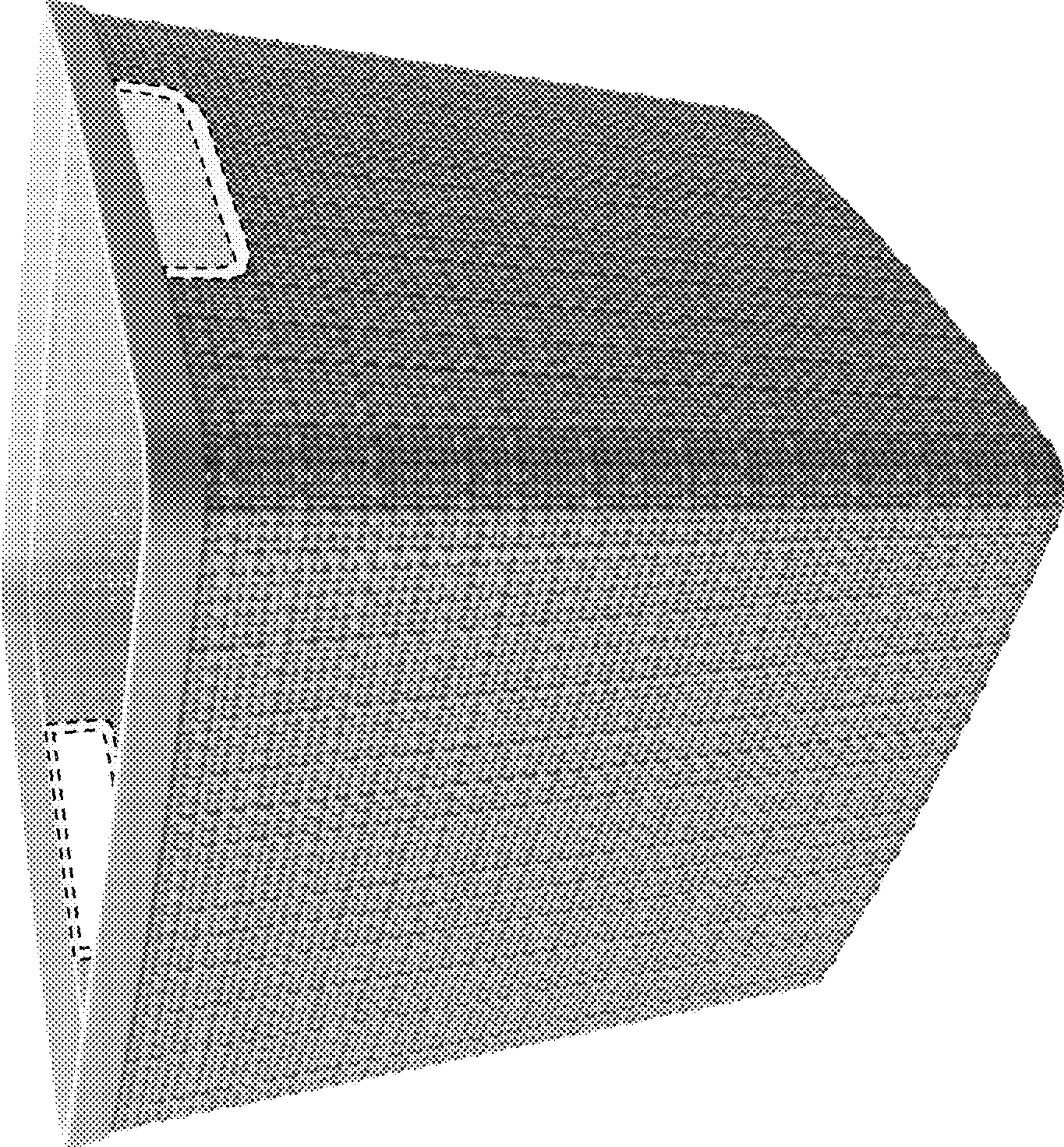


FIG. 7



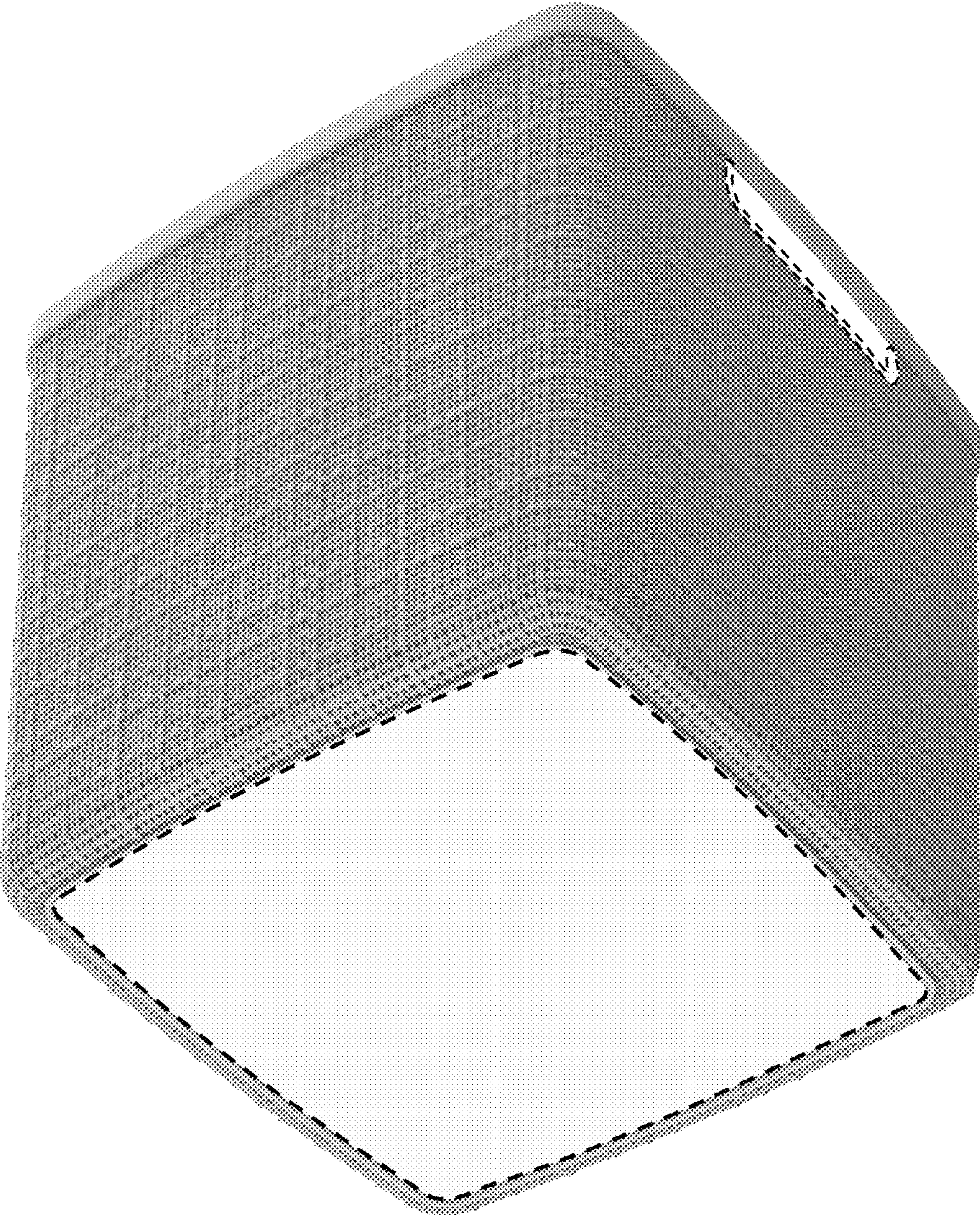


FIG. 8





FIG. 9



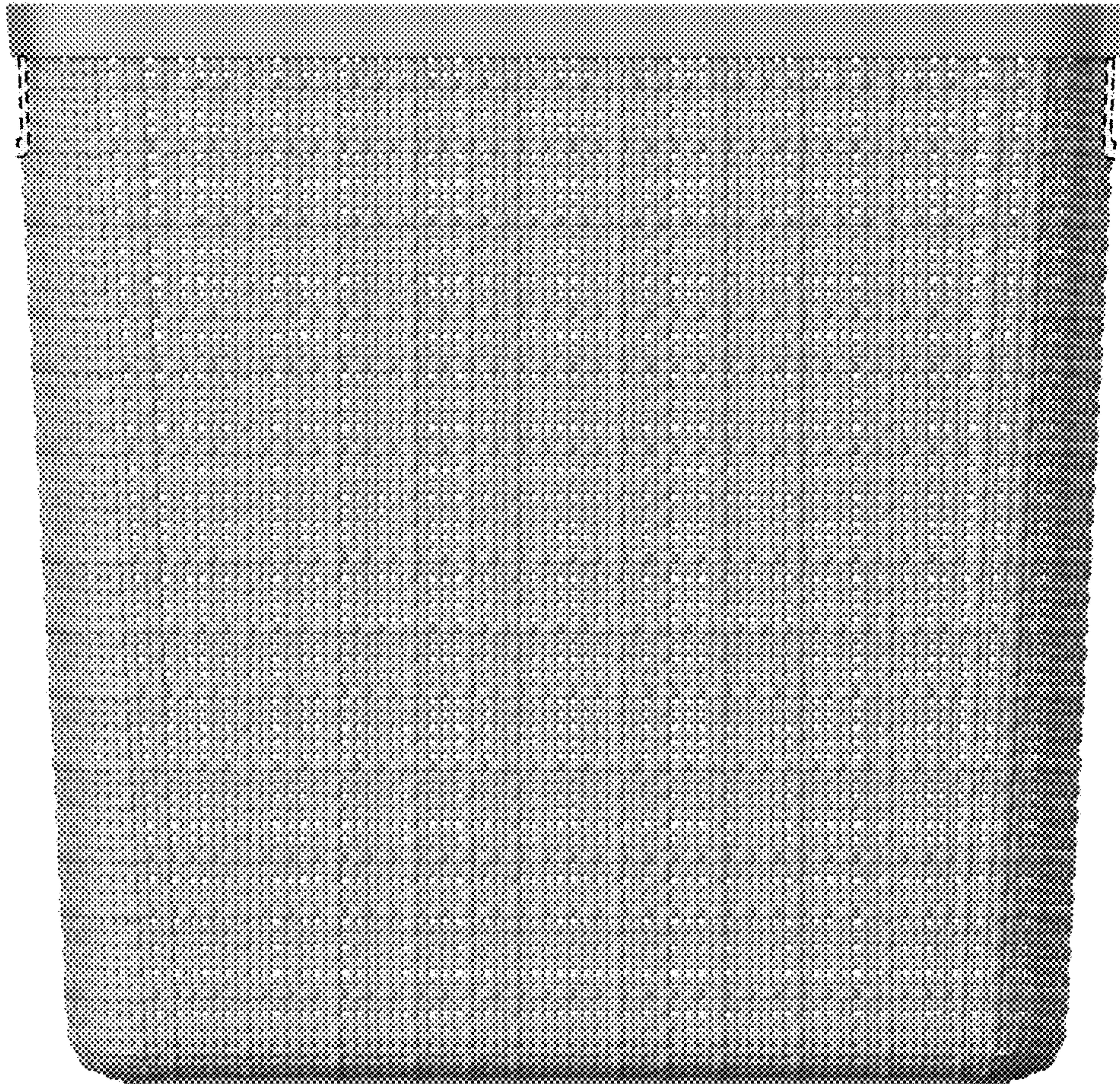


FIG. 10



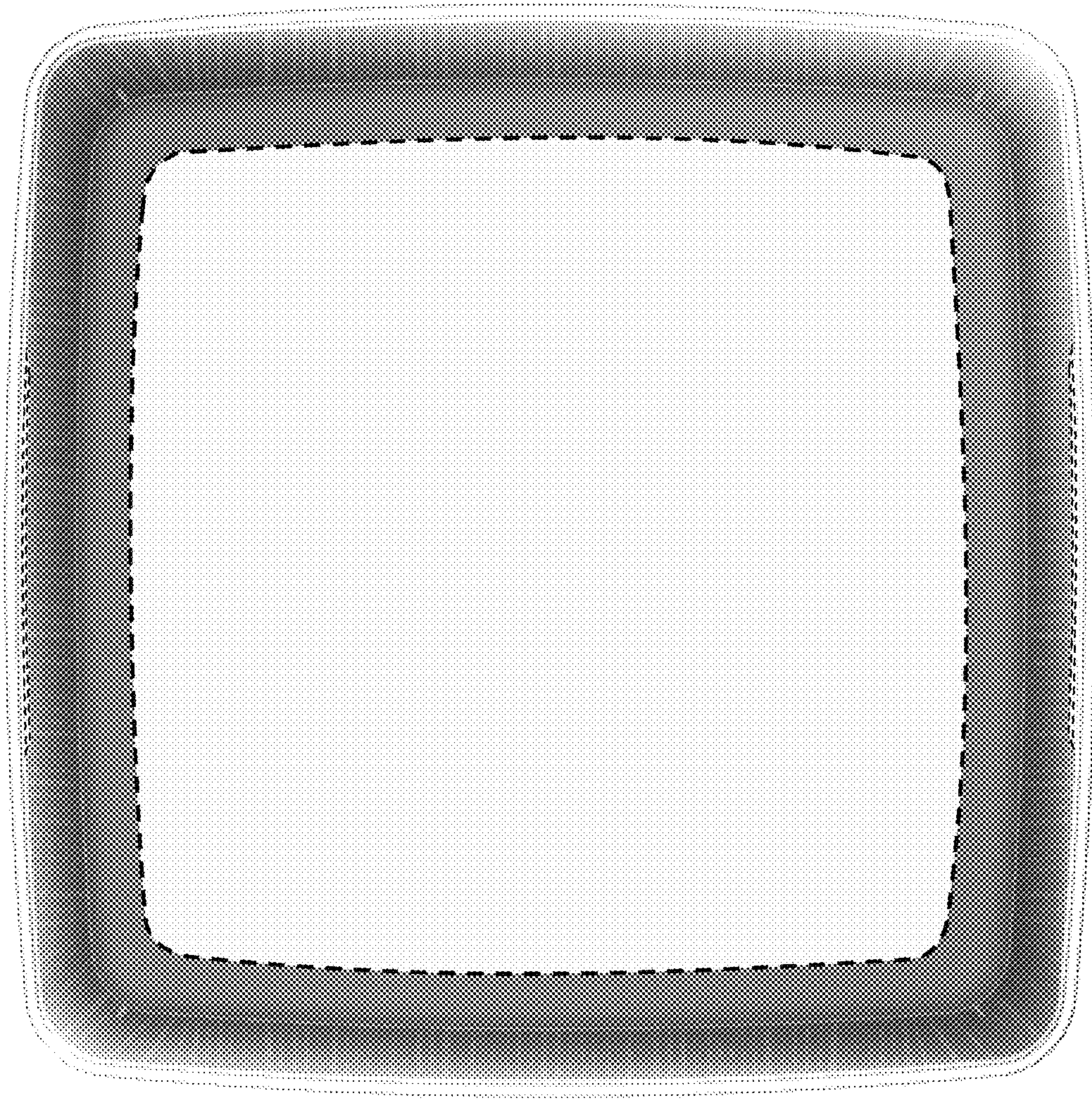


FIG. 11



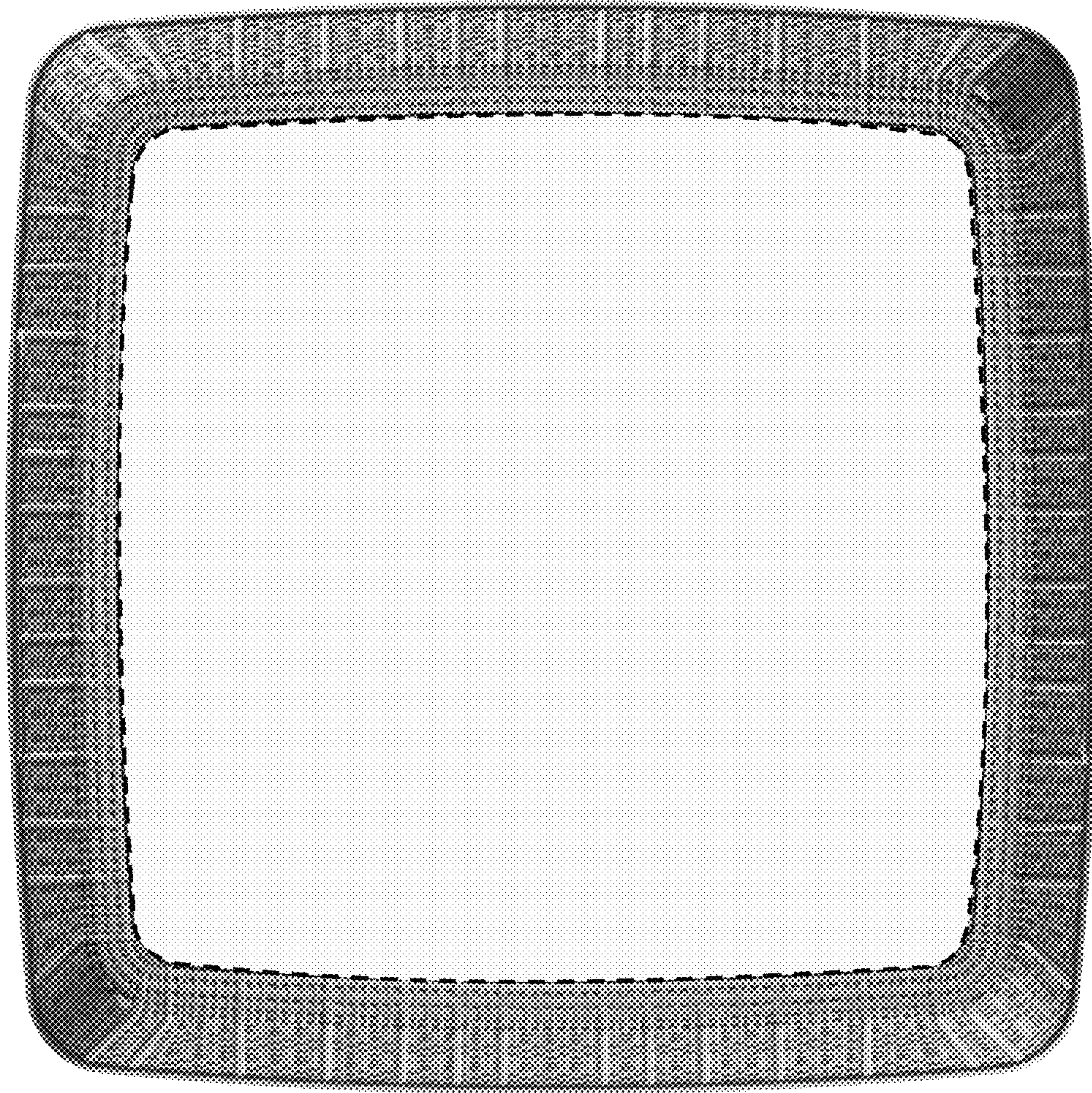


FIG. 12



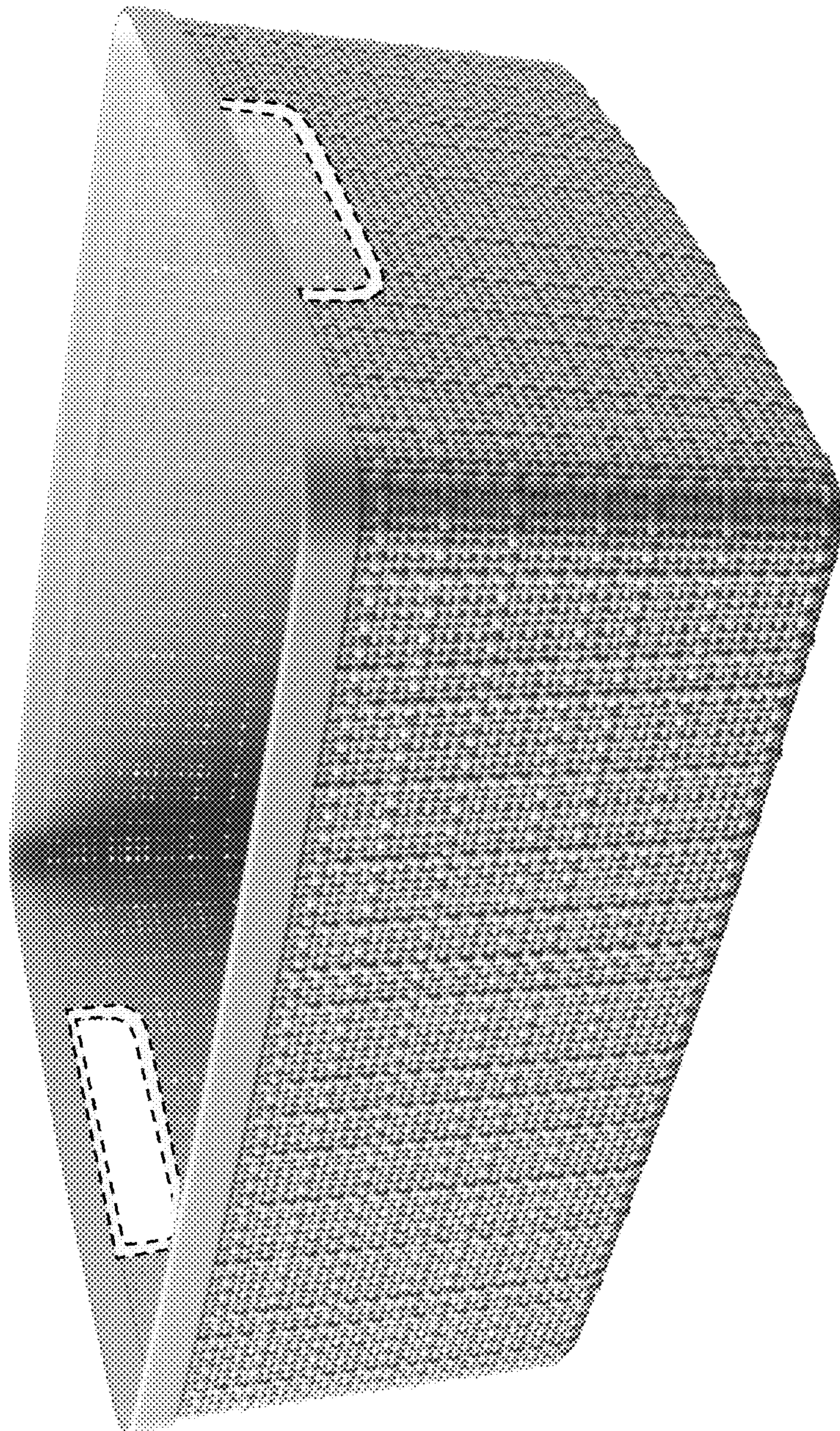


FIG. 13



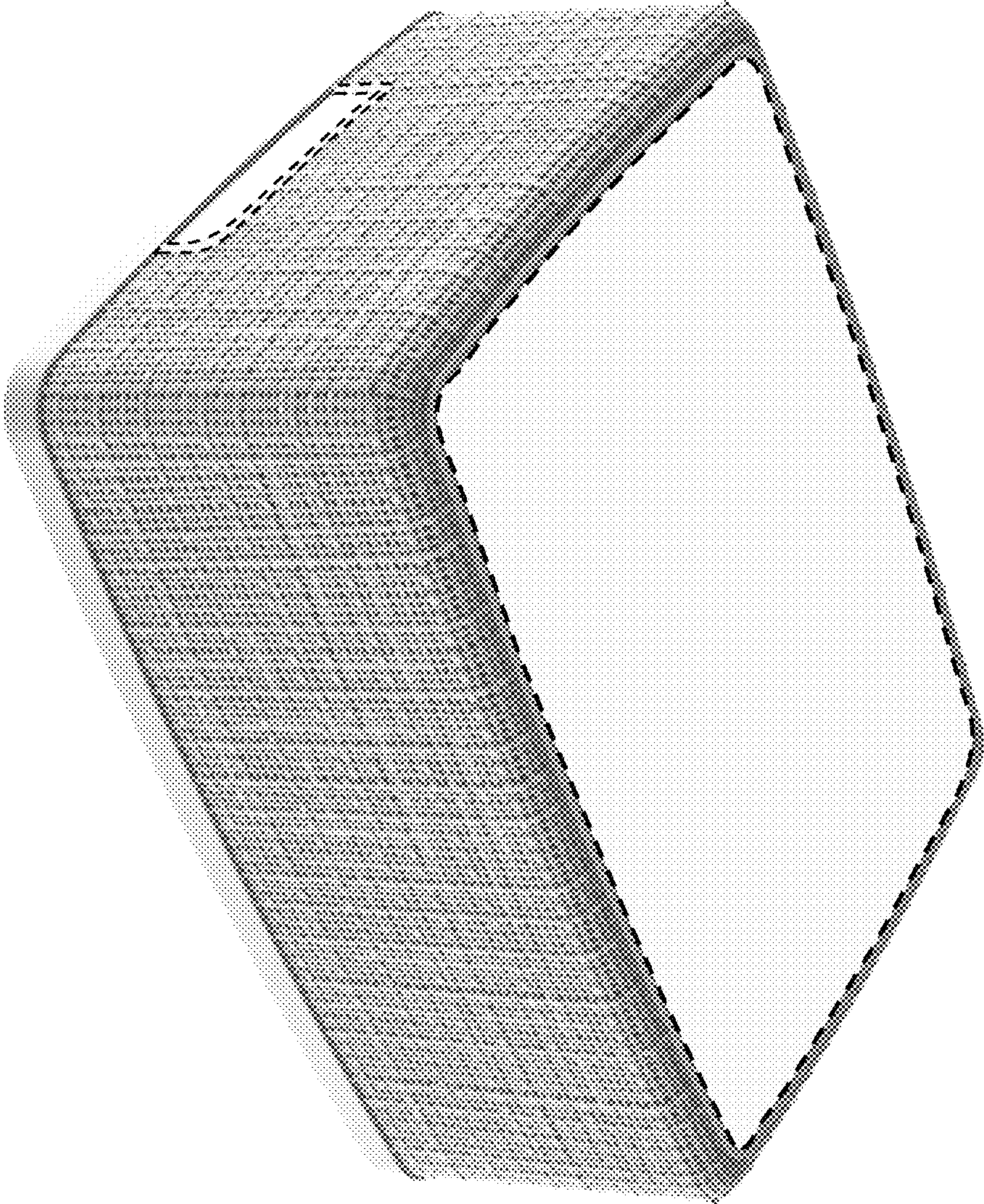


FIG. 14



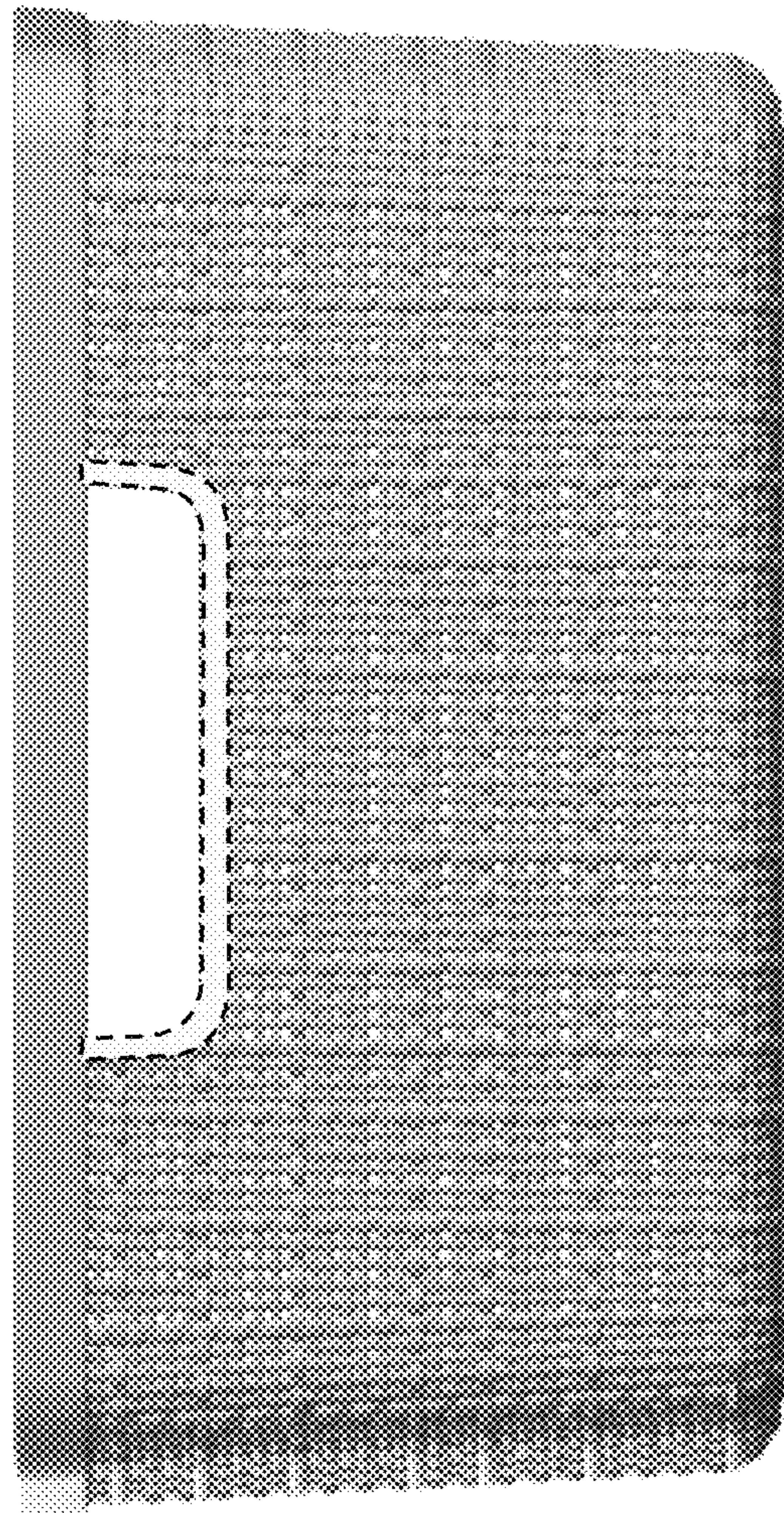


FIG. 15



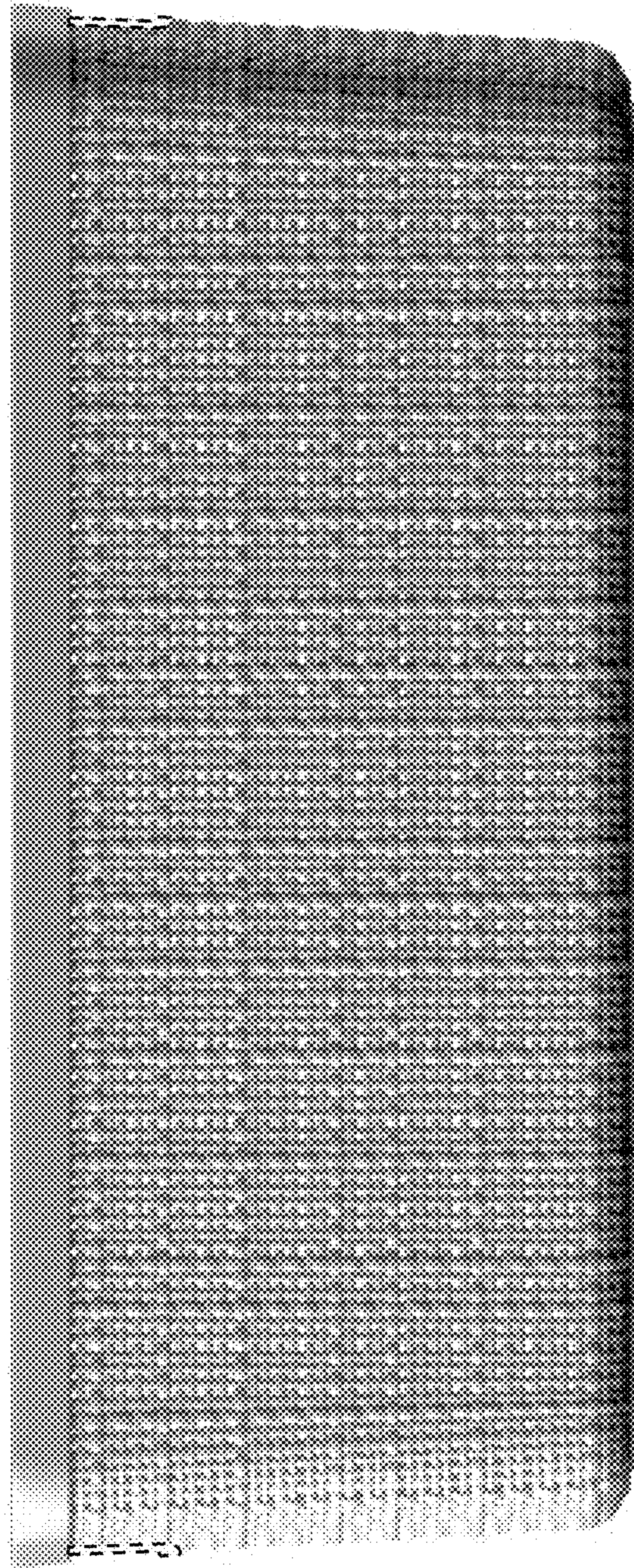


FIG. 16



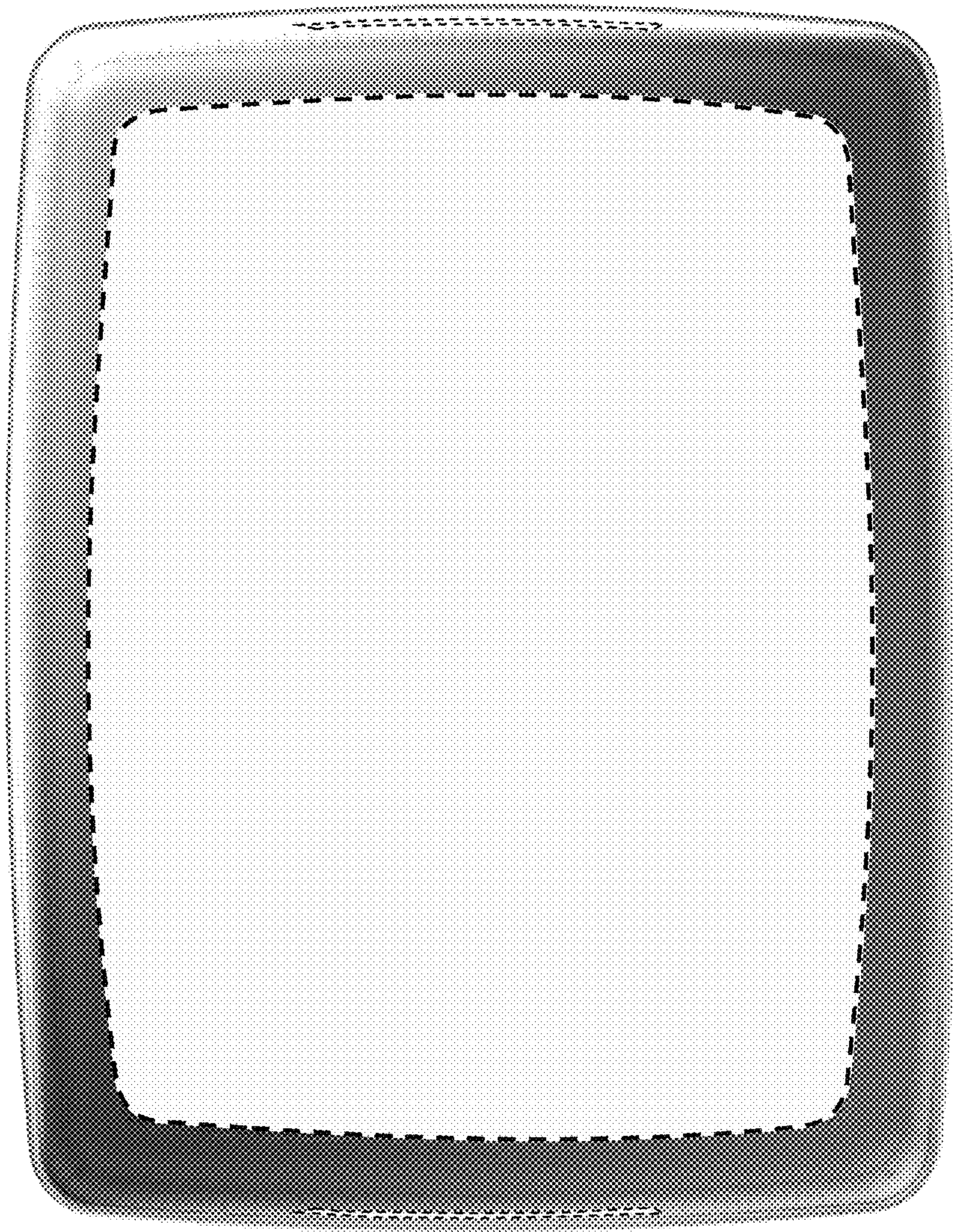


FIG. 17



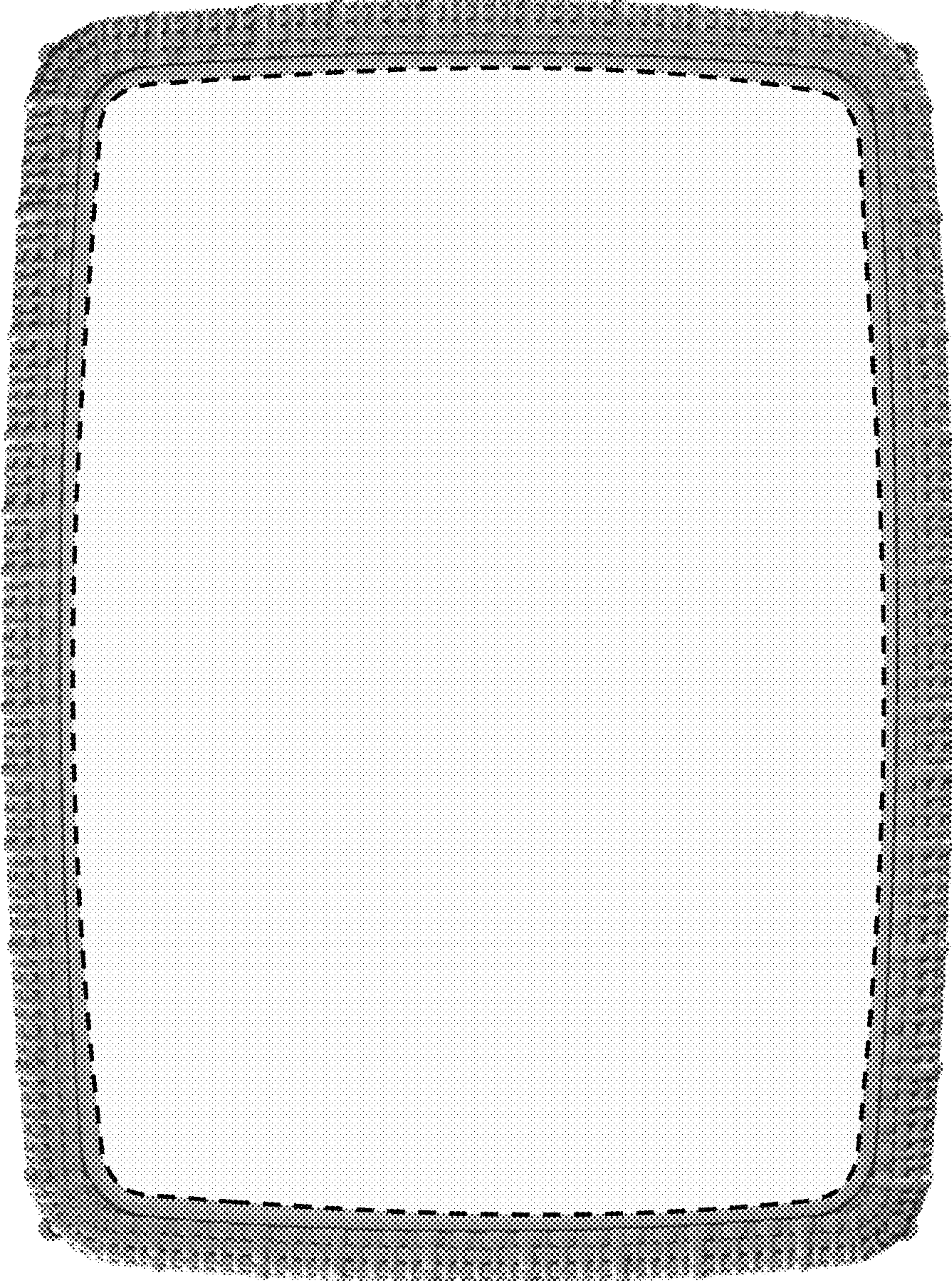


FIG. 18