



US00D840149S

(12) **United States Design Patent**
Lemaire

(10) **Patent No.:** **US D840,149 S**

(45) **Date of Patent:** **** Feb. 12, 2019**

(54) **HANDBAG**

D753,914 S * 4/2016 Van Migem D3/232
D781,051 S * 3/2017 Leopardi D3/232

(71) Applicant: **LOUIS VUITTON MALLETIER**,
Paris (FR)

* cited by examiner

(72) Inventor: **Alice Lemaire**, Paris (FR)

Primary Examiner — Holly H Baynham

(73) Assignee: **LOUIS VUITTON MALLETIER**,
Paris (FR)

(74) *Attorney, Agent, or Firm* — Fross Zelnick Lehrman
& Zissu, P.C.; Charles T. J. Weigell, Esq.

(**) Term: **15 Years**

(57) **CLAIM**

(21) Appl. No.: **29/627,968**

The ornamental design for a handbag, as shown and described.

(22) Filed: **Nov. 30, 2017**

(51) **LOC (11) Cl.** **03-01**

(52) **U.S. Cl.**
USPC **D3/240**

(58) **Field of Classification Search**
USPC D3/232–233, 240–243, 245–246
CPC A45C 1/024; A45C 3/06
See application file for complete search history.

DESCRIPTION

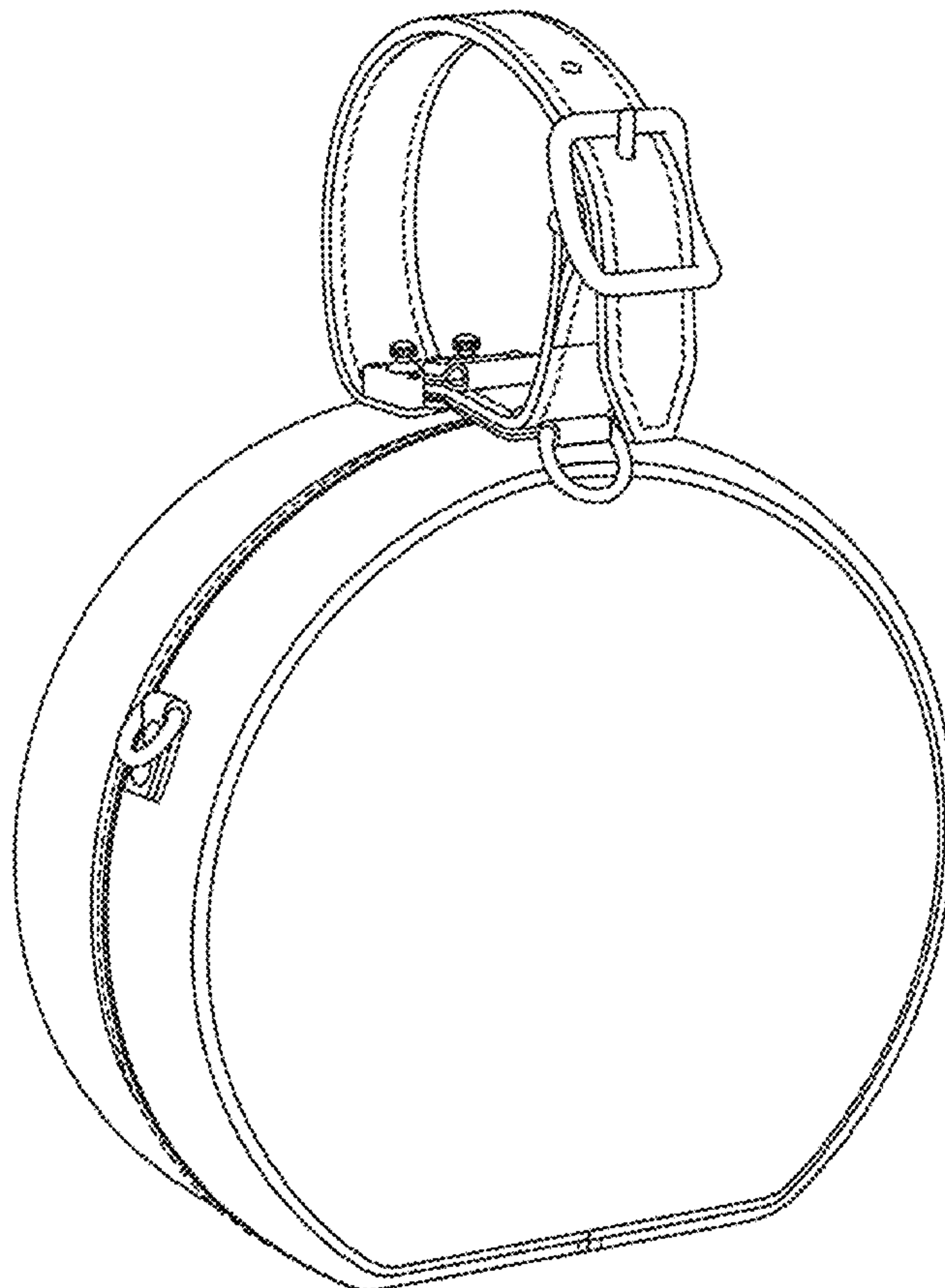
FIG. 1 is a front perspective view of a handbag showing my new design;
FIG. 2 is a front view thereof;
FIG. 3 is a back view thereof;
FIG. 4 is a left side view thereof;
FIG. 5 is a right side view thereof;
FIG. 6 is a top view thereof; and,
FIG. 7 is a bottom view thereof.
The dotted lines are understood to represent stitching and is part of the claimed design.

(56) **References Cited**

U.S. PATENT DOCUMENTS

D122,628 S * 9/1940 Lewis D3/240
D155,012 S * 8/1949 Kaufman D3/240

1 Claim, 7 Drawing Sheets



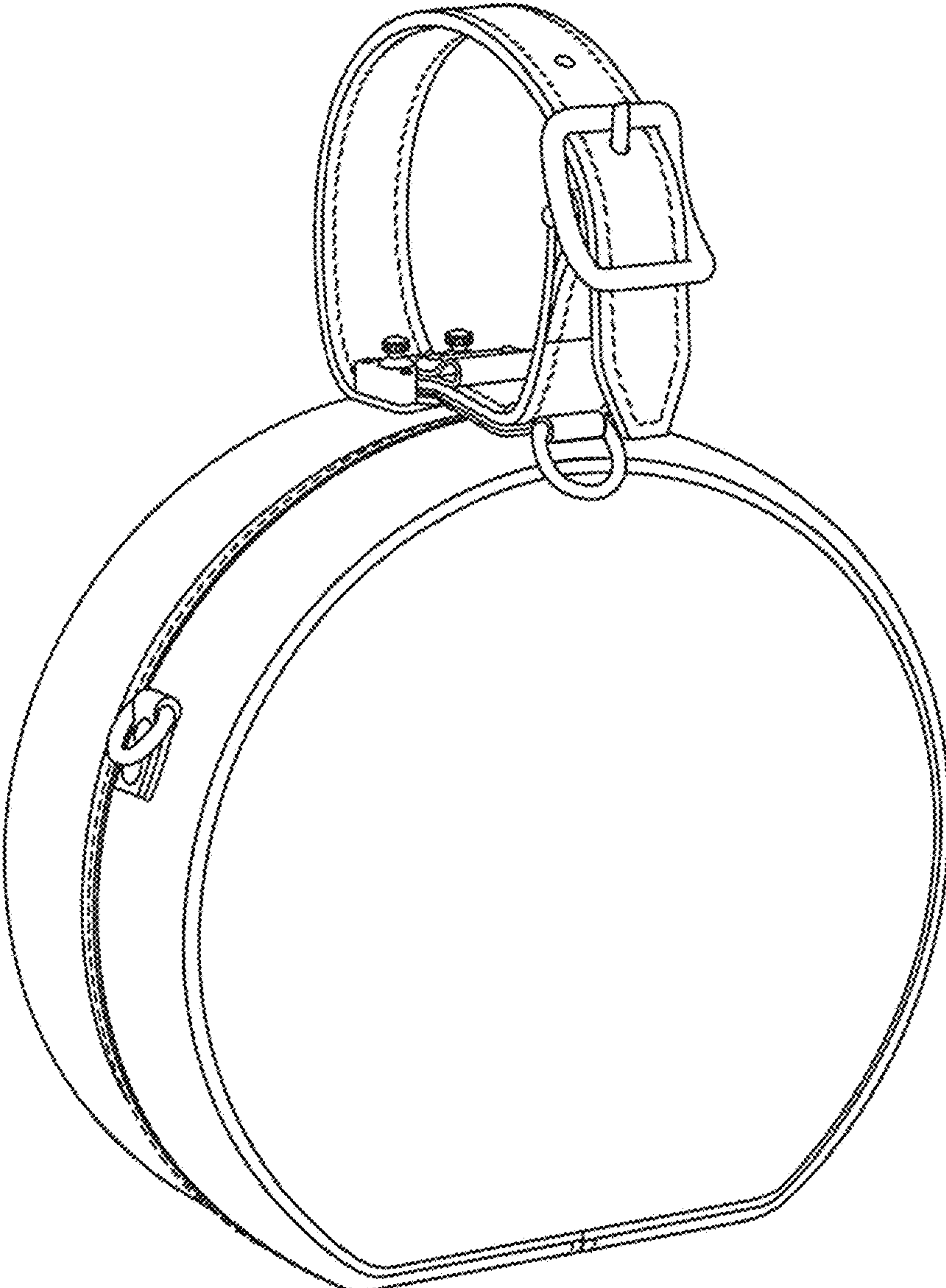


FIG. 1

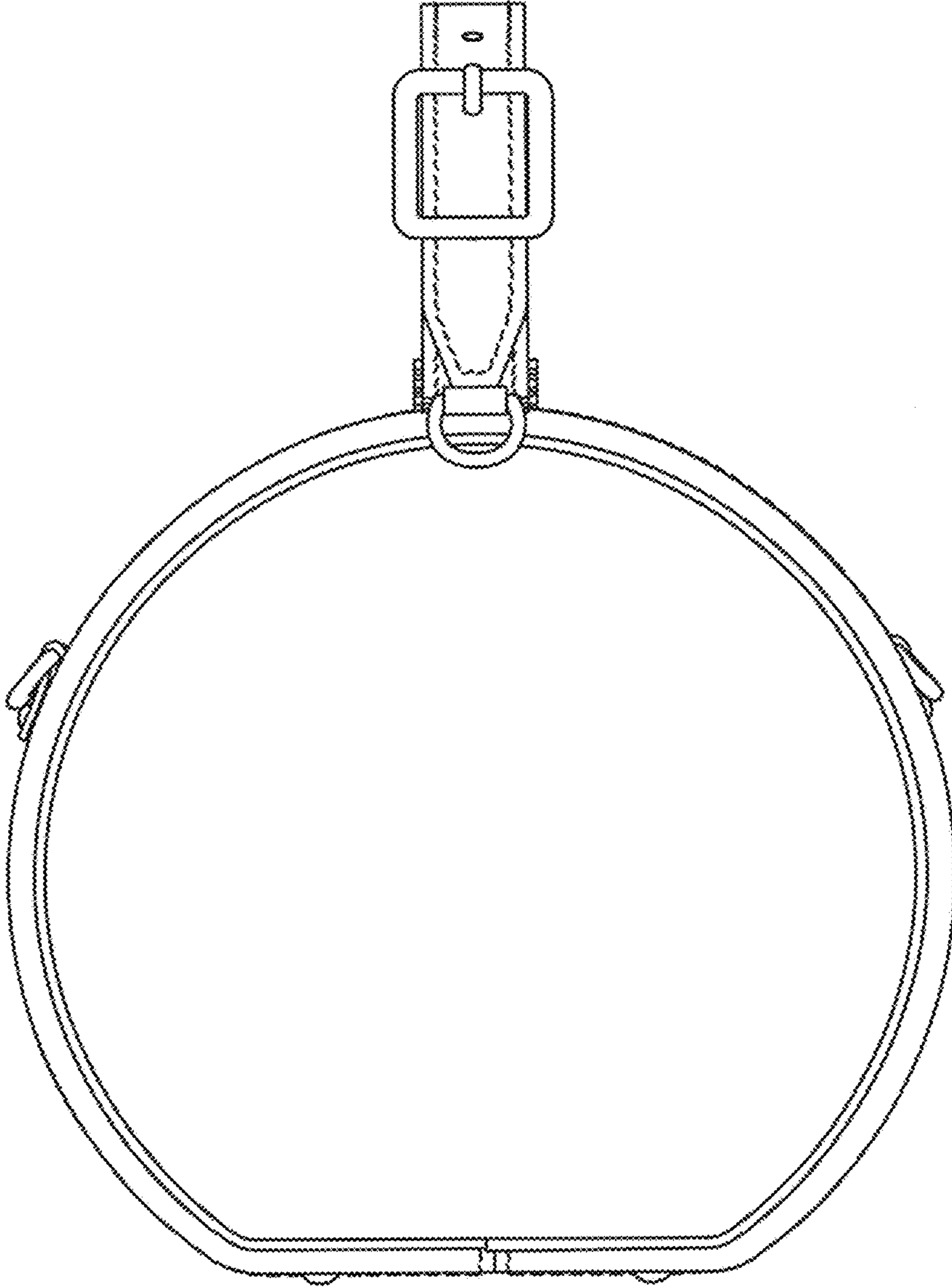


FIG. 2

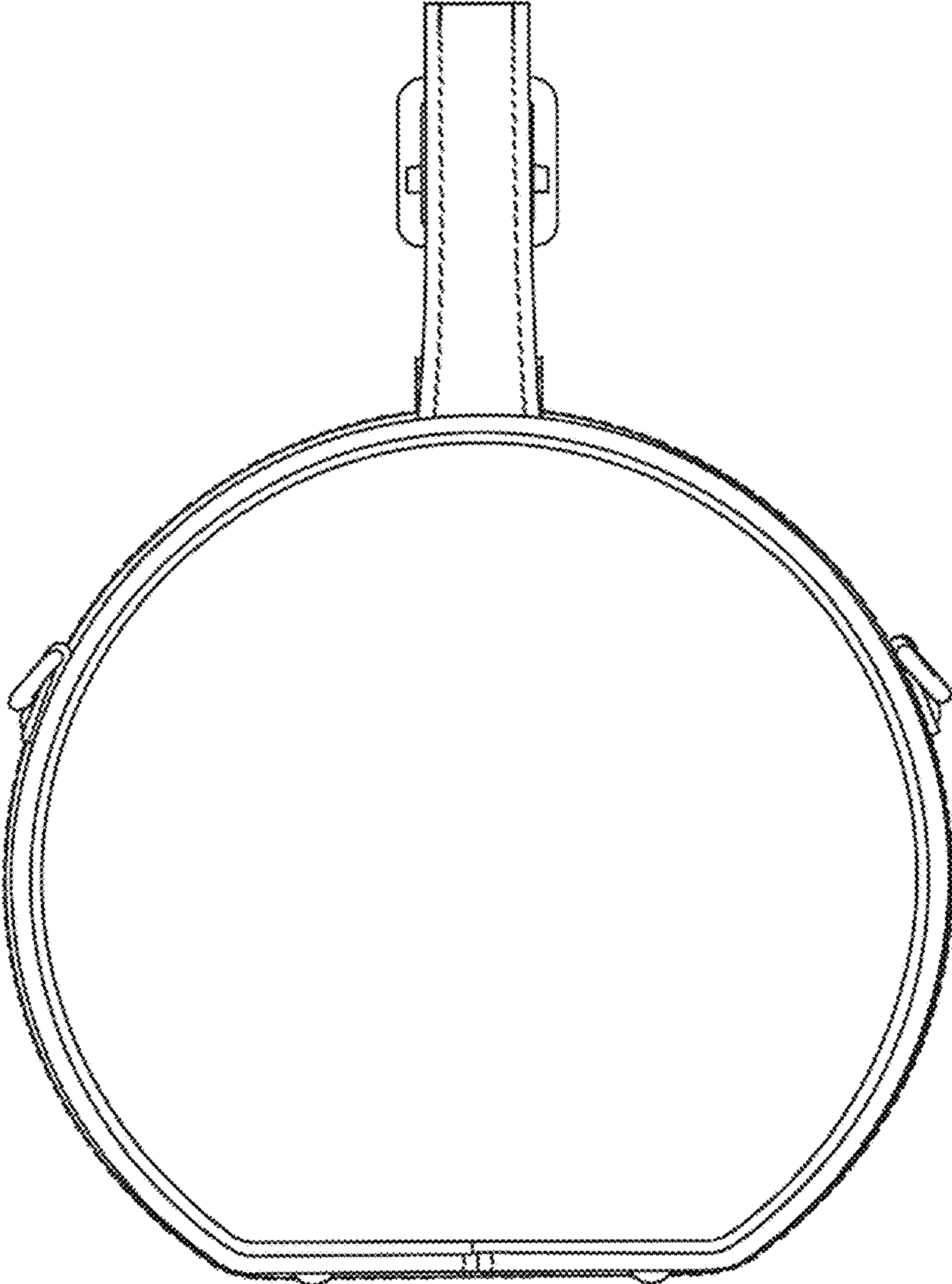


FIG. 3

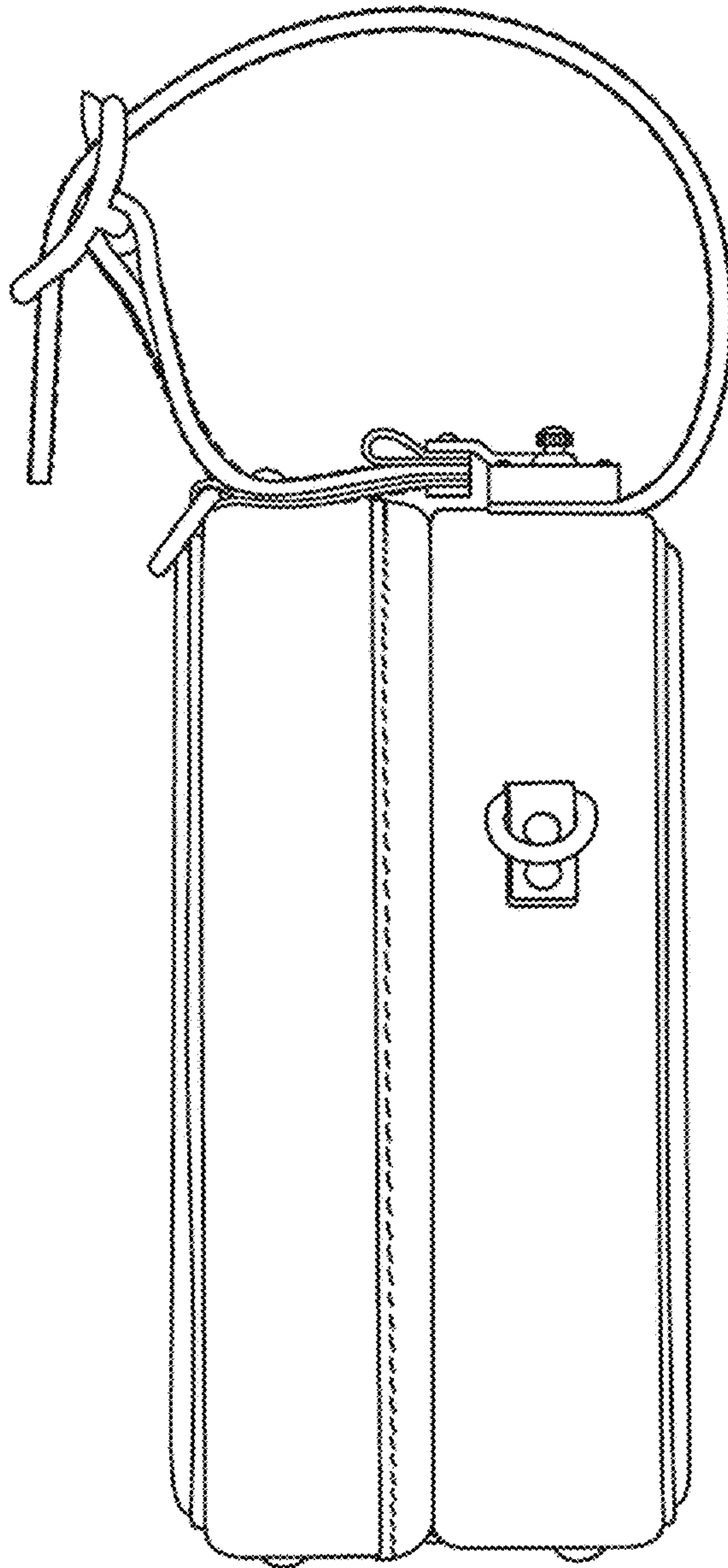


FIG. 4

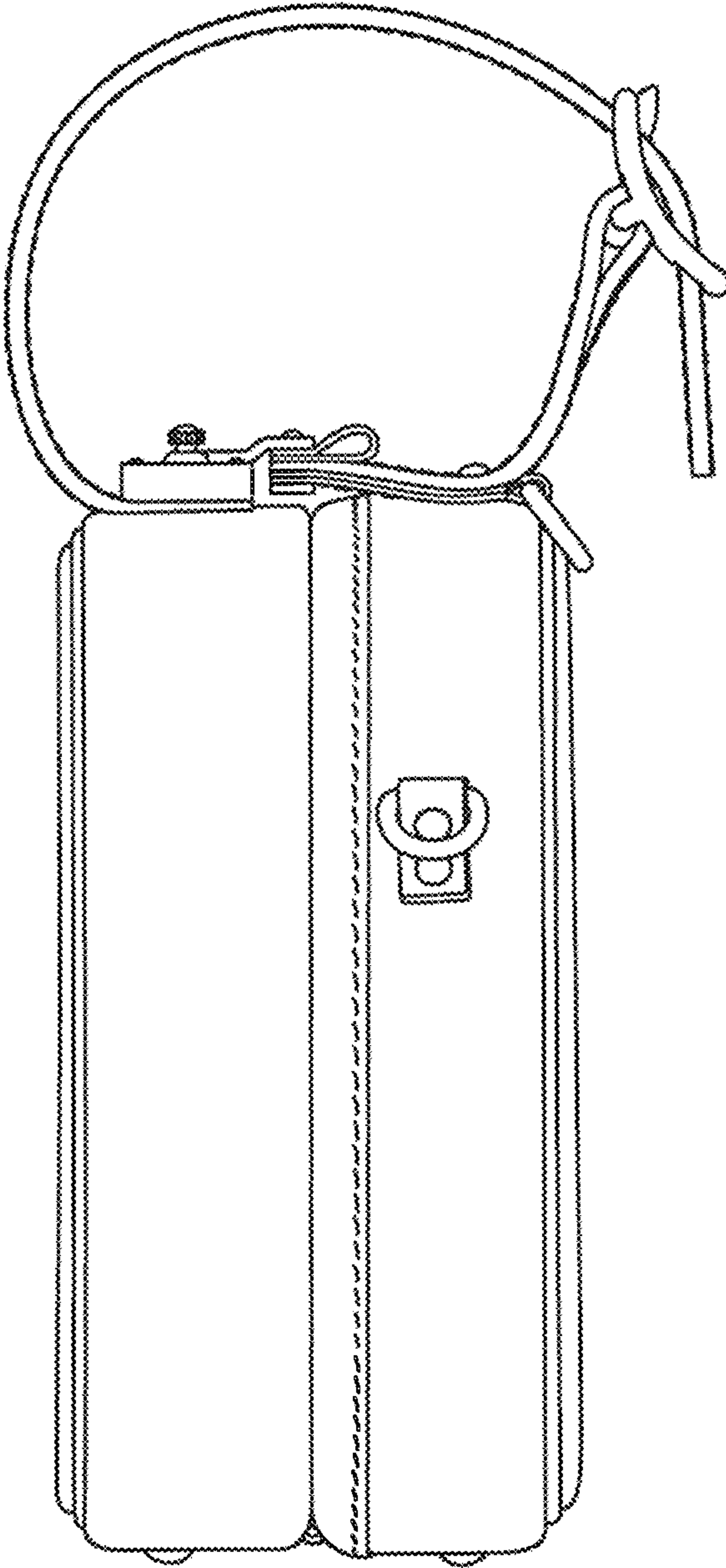


FIG. 5

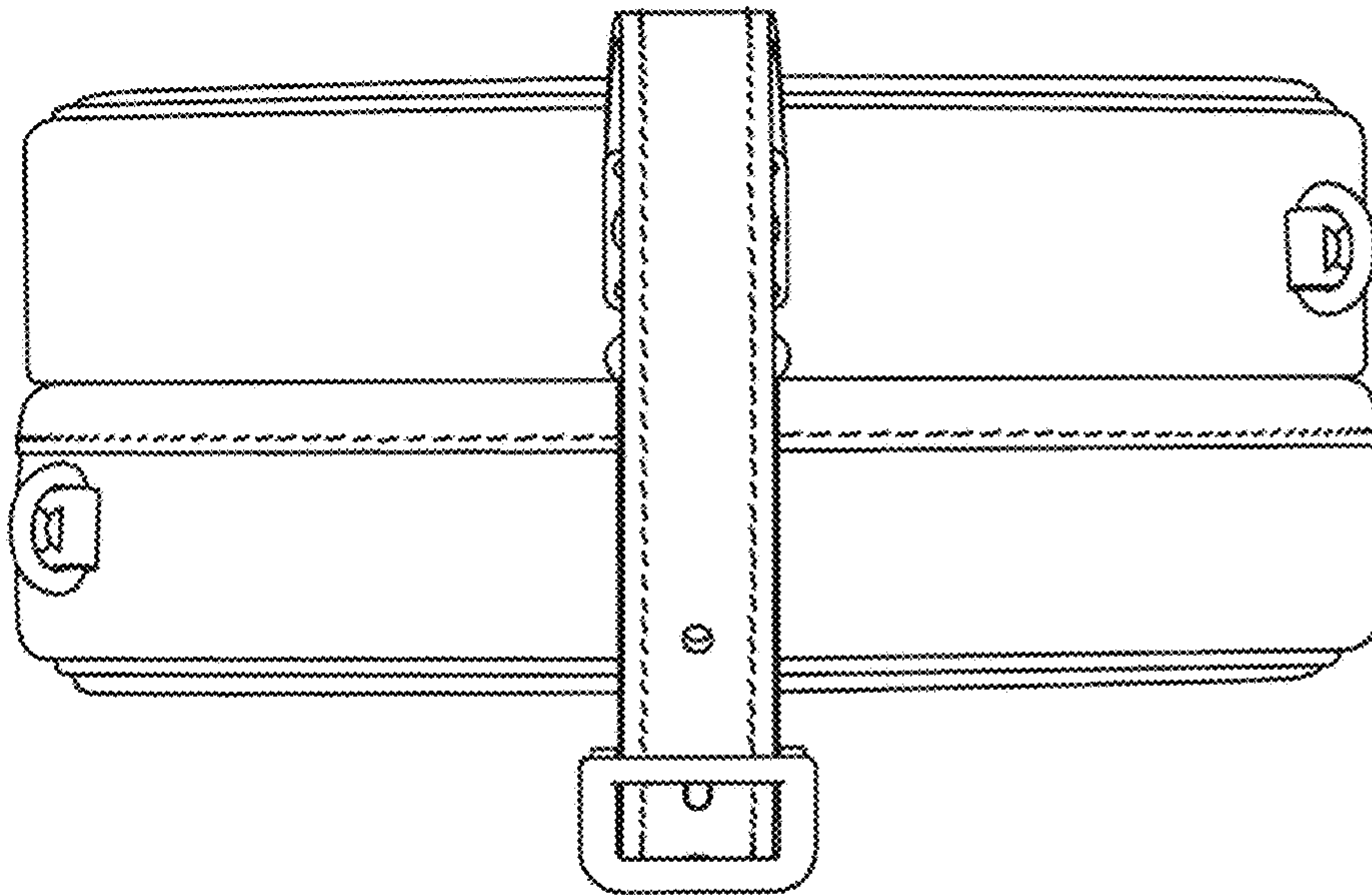


FIG. 6

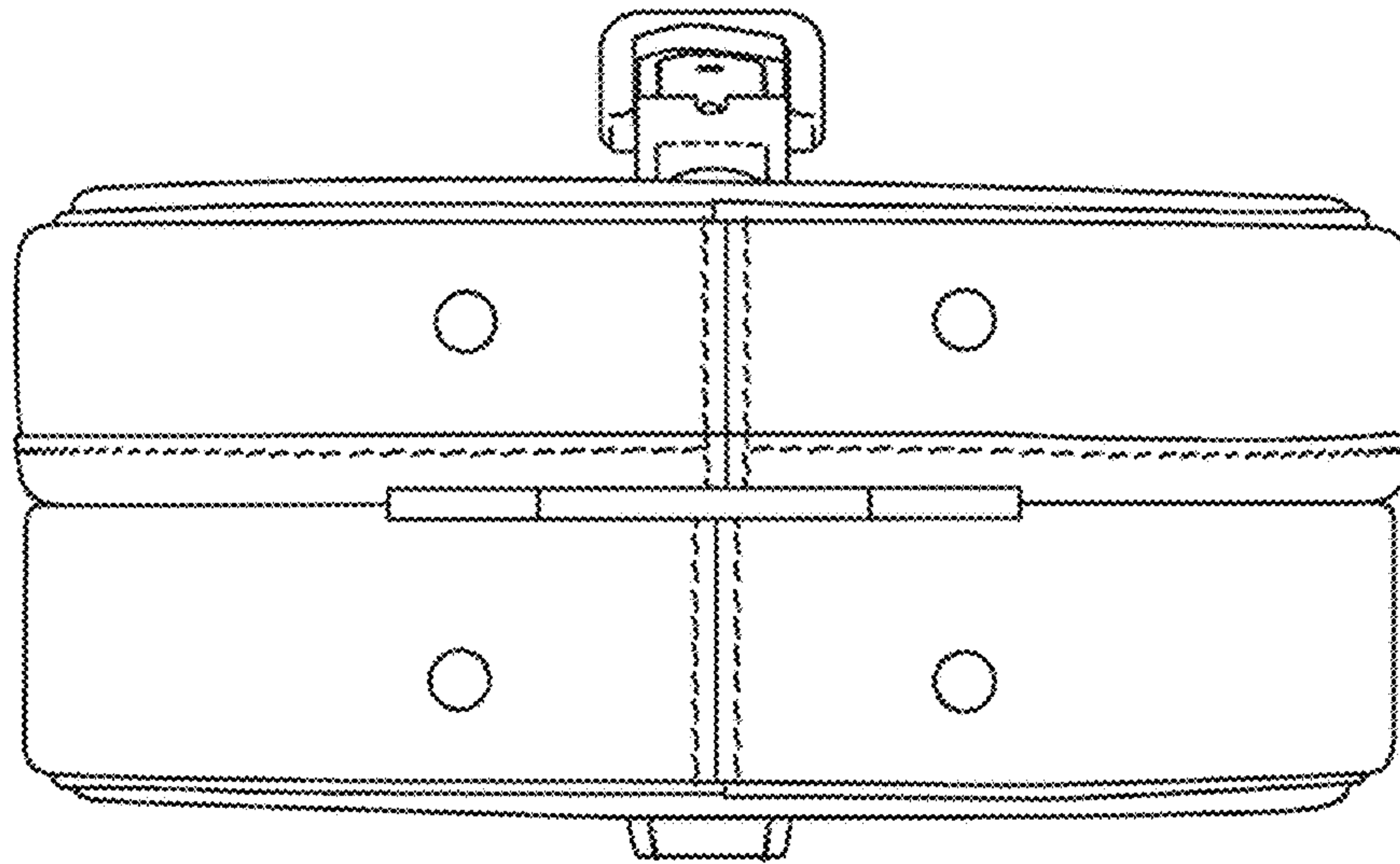


FIG. 7