



US00D840148S

(12) **United States Design Patent**
Mullen

(10) **Patent No.:** **US D840,148 S**

(45) **Date of Patent:** **** Feb. 12, 2019**

(54) **BELT COMBINED WITH D-RINGS AND POUCHES**

(71) Applicant: **Belinda H. Mullen**, Buffalo, NY (US)

(72) Inventor: **Belinda H. Mullen**, Buffalo, NY (US)

(**) Term: **15 Years**

(21) Appl. No.: **29/623,310**

(22) Filed: **Oct. 24, 2017**

(51) **LOC (11) Cl.** **03-01**

(52) **U.S. Cl.**
USPC **D3/226**

(58) **Field of Classification Search**
USPC D3/226, 224, 228, 218; 224/219, 222,
224/267, 269, 236, 241-242, 262, 660,
224/665, 675, 680, 683, 901, 904
CPC B25H 3/00
See application file for complete search history.

(56) **References Cited**

U.S. PATENT DOCUMENTS

D251,758 S * 5/1979 Penrod D3/228
4,993,614 A * 2/1991 Bonofiglo B25H 3/00
224/665

5,201,448 A * 4/1993 Schue B25H 3/00
224/660
D395,545 S * 6/1998 Crim, Jr. D3/218
D479,769 S * 9/2003 Leighton D3/224
D743,694 S * 11/2015 Charles B25H 3/00
D3/226

* cited by examiner

Primary Examiner — Catherine R Oliver-Garcia
(74) *Attorney, Agent, or Firm* — Del Vecchio and Stadler
LLP

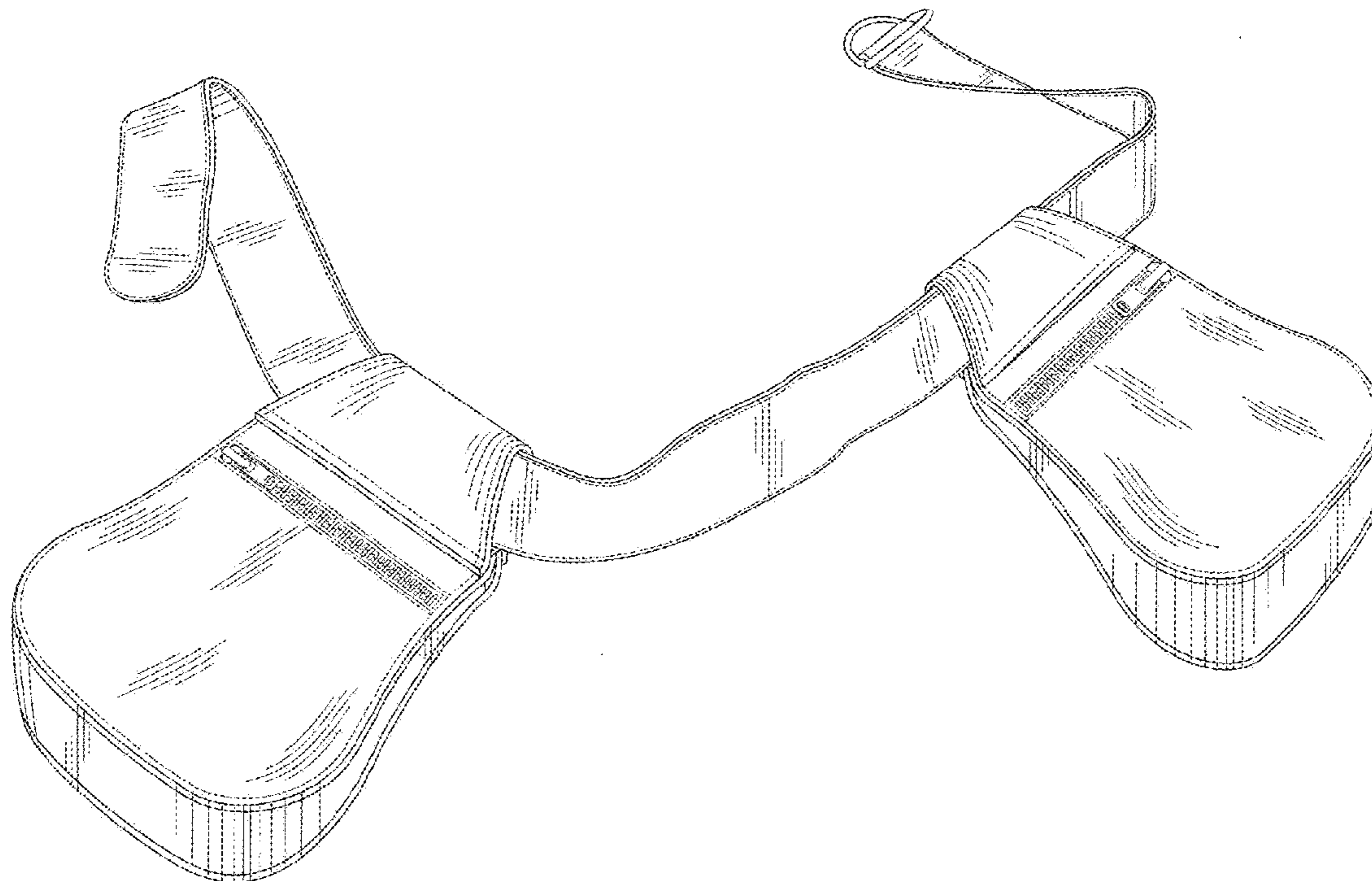
(57) **CLAIM**

The ornamental design for a belt combined with D-rings and pouches, as shown.

DESCRIPTION

FIG. 1 is a front perspective view of my new design for a belt combined with D-rings and pouches;
FIG. 2 is a front elevational view thereof;
FIG. 3 is a rear elevational view thereof;
FIG. 4 is a left right side view of the thereof;
FIG. 5 is a right side view of the thereof;
FIG. 6 is a top plan view thereof; and,
FIG. 7 is bottom plan view thereof.

1 Claim, 3 Drawing Sheets



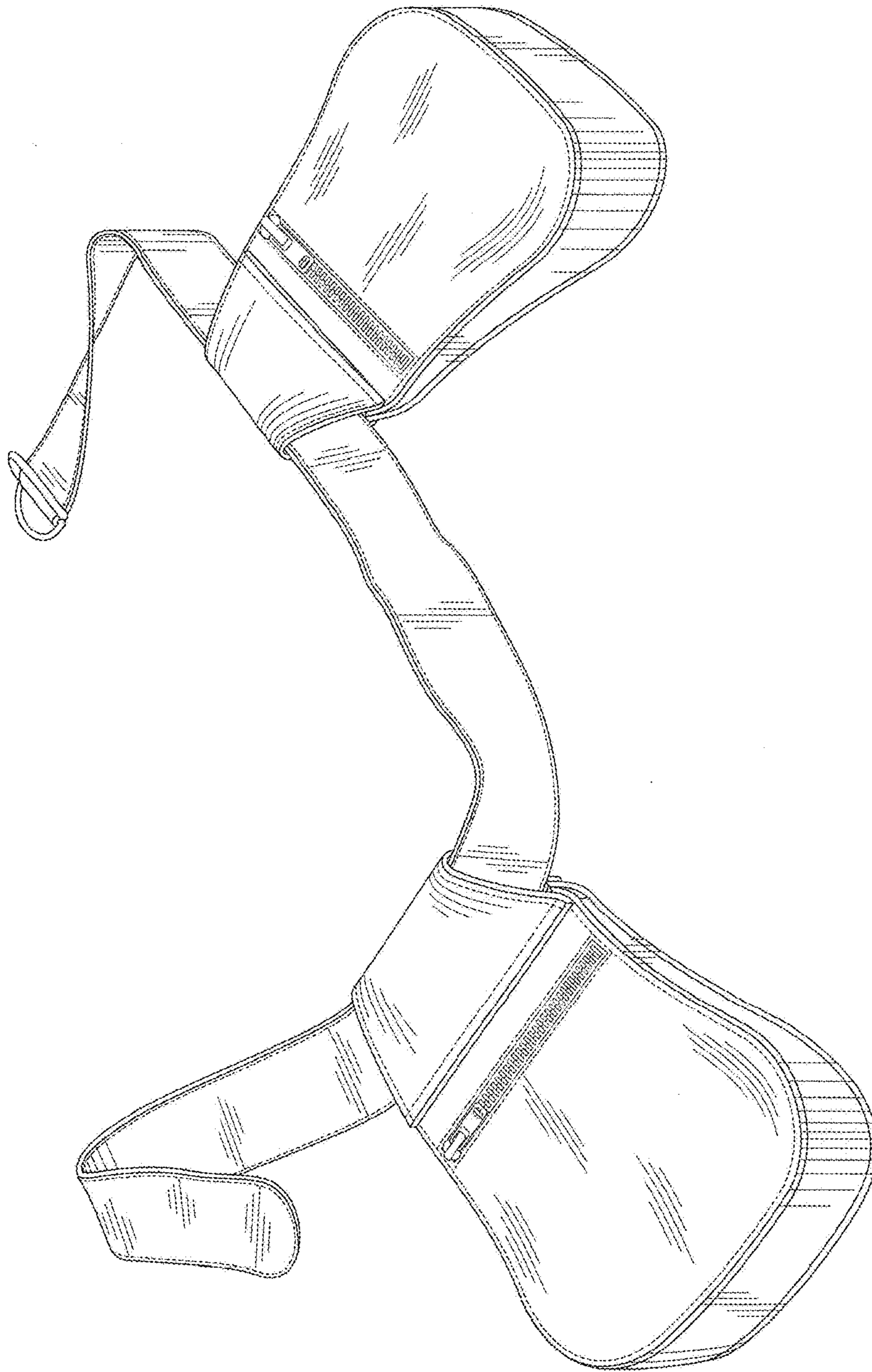


Fig. 1

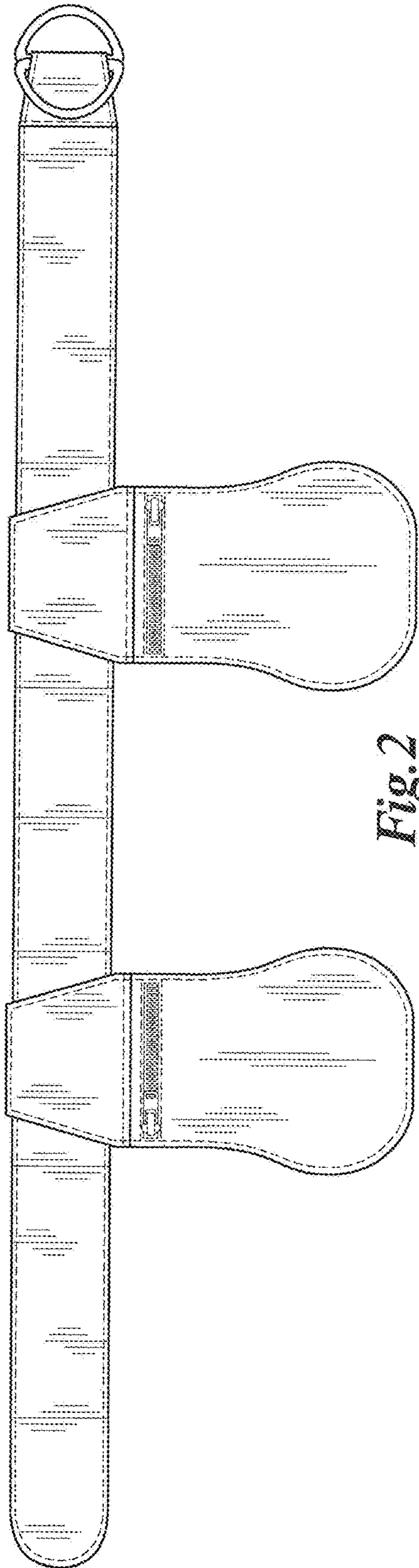


Fig. 2

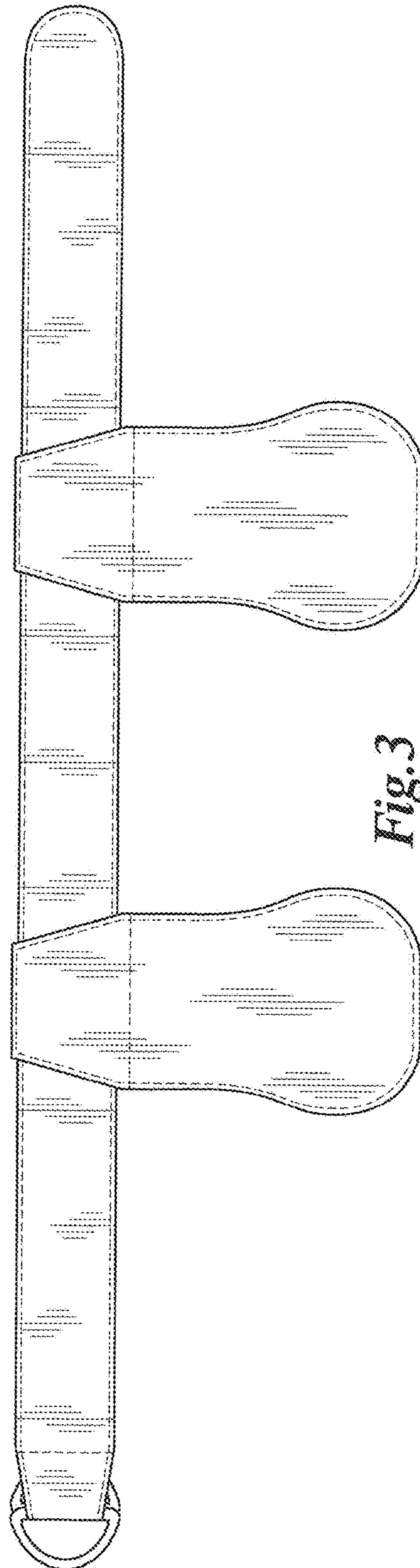


Fig. 3

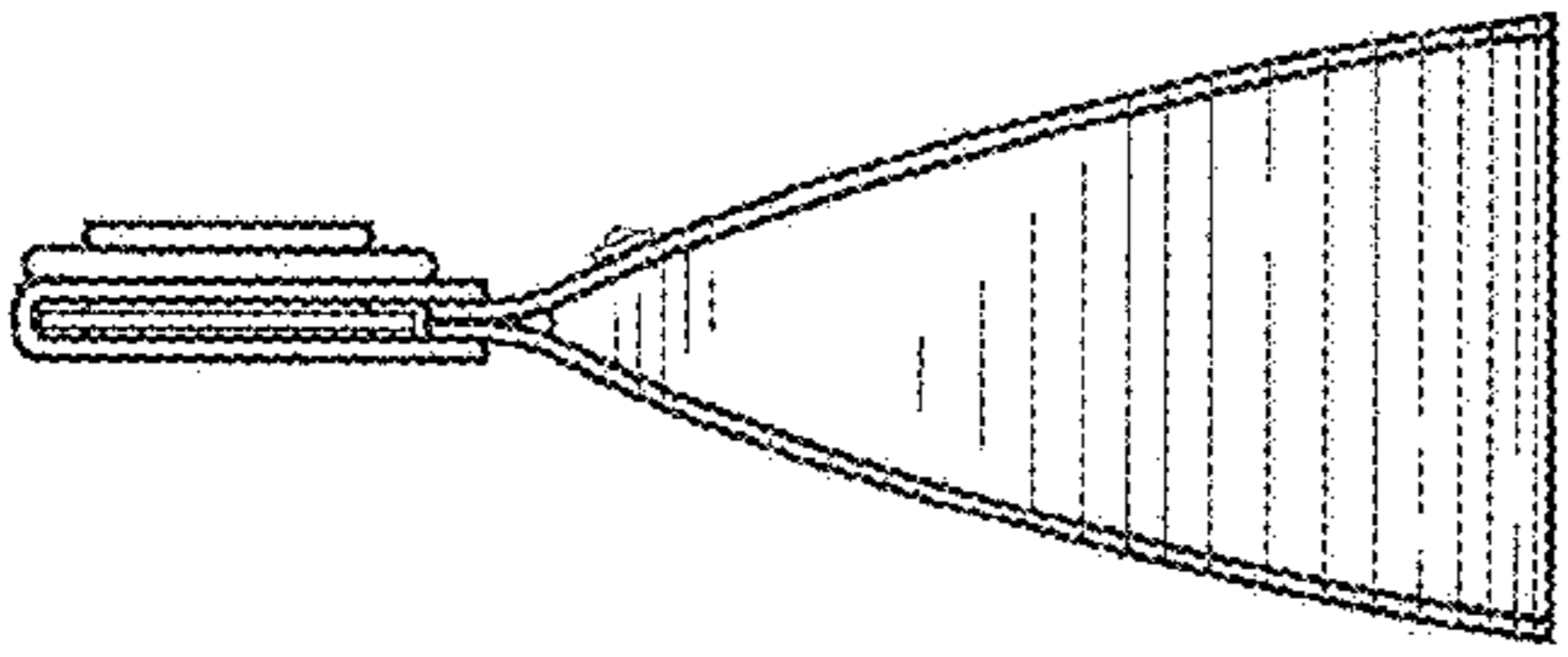


Fig. 4

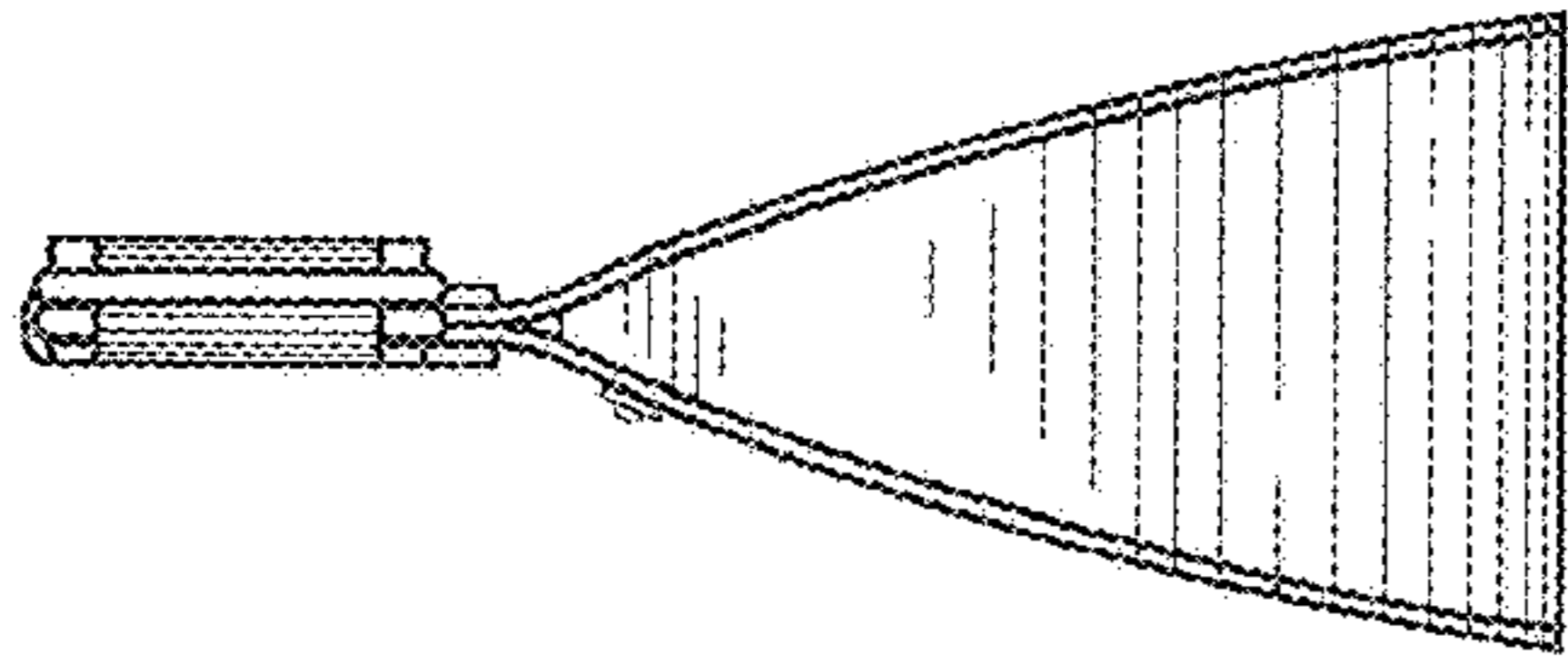


Fig. 5

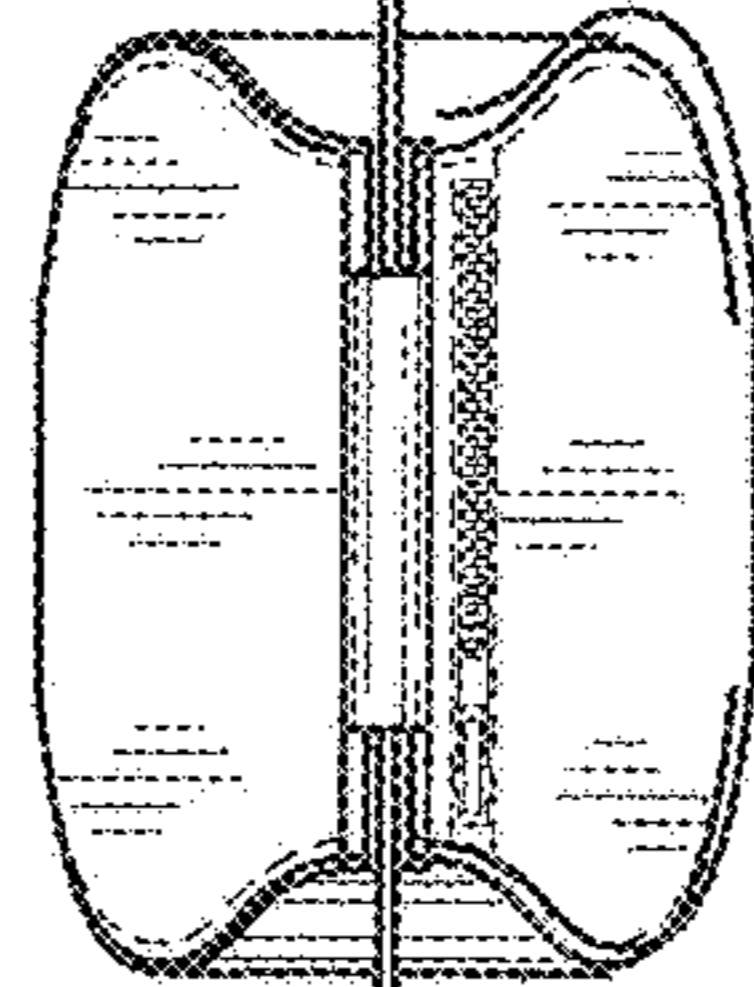


Fig. 6

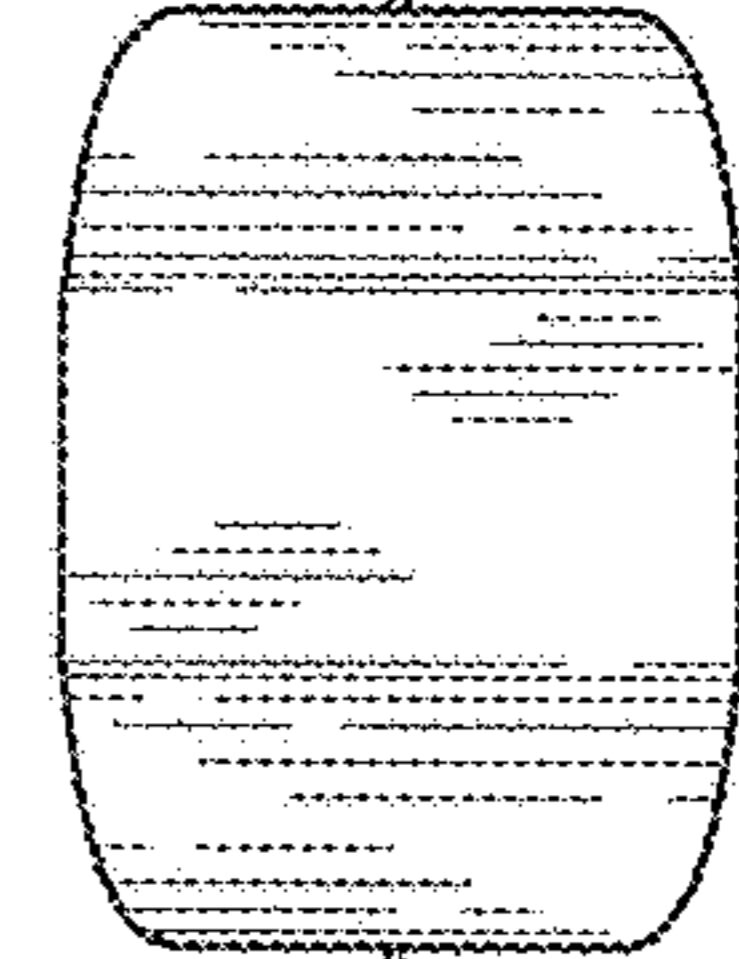
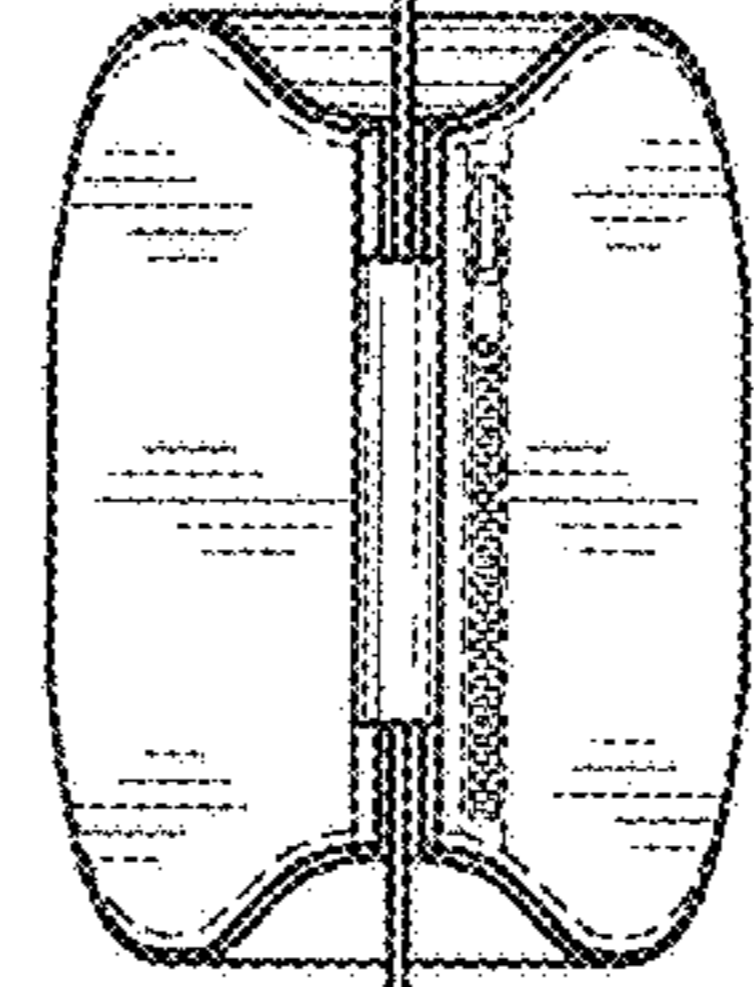


Fig. 7

