



US00D840145S

(12) **United States Design Patent** (10) **Patent No.:** **US D840,145 S**
Lucciola (45) **Date of Patent:** **** Feb. 12, 2019**

- (54) **MEDICATION HOLDING DEVICE**
- (71) Applicant: **Rocco Lucciola**, Brick, NJ (US)
- (72) Inventor: **Rocco Lucciola**, Brick, NJ (US)
- (**) Term: **15 Years**
- (21) Appl. No.: **29/653,641**
- (22) Filed: **Jun. 18, 2018**

4,993,058 A	2/1991	McMinn et al.
5,018,621 A	5/1991	O'Connell
5,232,125 A	8/1993	Adams
RE34,677 E	7/1994	Ray
D353,549 S	12/1994	Gorman
5,370,270 A	12/1994	Adams et al.
5,379,928 A	1/1995	Mikkelsen
5,497,896 A	3/1996	Shand
5,522,540 A	6/1996	Surman
5,687,865 A	11/1997	Adams et al.
5,710,551 A	1/1998	Ridgeway
5,880,672 A	3/1999	Weaver
5,960,061 A	9/1999	Fahie et al.

(Continued)

Related U.S. Application Data

- (63) Continuation-in-part of application No. 29/581,310, filed on Oct. 18, 2016.
- (51) **LOC (11) Cl.** **03-01**
- (52) **U.S. Cl.**
USPC **D3/203.1**
- (58) **Field of Classification Search**
USPC D3/202, 203, 213, 214, 215, 201, 226,
D3/228, 224, 327, 229, 273, 290, 294,
D3/243, 245, 246, 266, 904, 304, 307,
D3/308, 309, 315; D7/509, 510, 511
CPC A45D 42/00; A45D 42/18; A61B 1/24;
D04B 3/02; G05G 9/04788; A44B 11/25
See application file for complete search history.

Primary Examiner — Mark A Goodwin
Assistant Examiner — Benjamin M Weeks
 (74) *Attorney, Agent, or Firm* — Global Intellectual Property Agency, LLC; Daniel Boudwin

(57) **CLAIM**

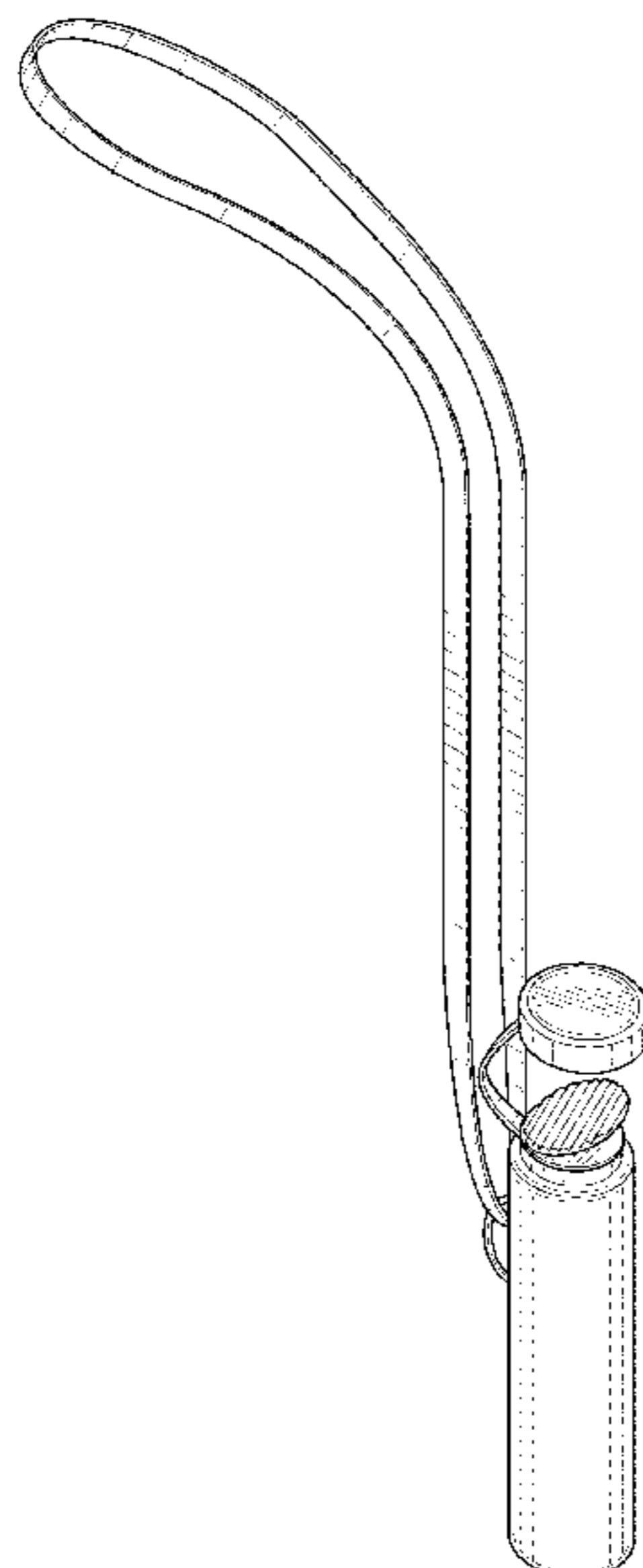
The ornamental design for a medication holding device, as shown and described.

DESCRIPTION

FIG. 1 shows a perspective view of a medication holding device;
 FIG. 2 shows a front view of the medication holding device;
 FIG. 3 shows a rear view of the medication holding device;
 FIG. 4 shows a right side view of the medication holding device;
 FIG. 5 shows a left side view of the medication holding device;
 FIG. 6 shows a top plan view of the medication holding device; and,
 FIG. 7 shows a bottom plan view of the medication holding device.
 The shade lines in the Figures show contour and not surface ornamentation.

- (56) **References Cited**
U.S. PATENT DOCUMENTS
- | | | |
|-------------|---------|------------------|
| 3,567,085 A | 3/1971 | Flores |
| 4,077,538 A | 3/1978 | Waterbury |
| 4,127,212 A | 11/1978 | Waterbury |
| 4,129,228 A | 12/1978 | Stoneback |
| 4,420,076 A | 12/1983 | Beveridge et al. |
| 4,587,753 A | 5/1986 | Harper |
| 4,686,505 A | 8/1987 | Vanderburg |
| 4,733,807 A | 3/1988 | Porter et al. |
| 4,765,460 A | 8/1988 | Pacheco |
| 4,798,301 A | 1/1989 | Bullock et al. |
| 4,931,780 A | 6/1990 | LaMont et al. |

1 Claim, 5 Drawing Sheets



(56)

References Cited

U.S. PATENT DOCUMENTS

6,009,148 A 12/1999 Reeves
 6,116,468 A 9/2000 Nilson
 D433,564 S * 11/2000 Backman D3/228
 6,155,409 A 12/2000 Hettinger
 6,202,869 B1 3/2001 Sullivan
 6,299,325 B1 10/2001 Cathel
 6,307,920 B1 10/2001 Thomson et al.
 6,705,463 B1 3/2004 Bucholtz et al.
 D497,807 S * 11/2004 Nichols D3/203.2
 D509,352 S * 9/2005 Raven D24/121
 7,068,760 B2 6/2006 Binning
 D524,037 S * 7/2006 Van Horn D3/203.1
 D525,780 S * 8/2006 Kelleghan D3/215
 RE39,340 E 10/2006 Adams
 D544,703 S * 6/2007 Hadjis D3/203.1
 7,245,704 B2 7/2007 Binning
 7,252,208 B1 8/2007 Alvino et al.
 D551,439 S * 9/2007 Smetham D3/203.1
 D561,461 S * 2/2008 Smetham D3/203.1
 D582,915 S * 12/2008 Leung D14/480.3
 D604,942 S * 12/2009 Smith D3/202
 D631,648 S * 2/2011 Pullin D3/203.1
 8,175,226 B2 5/2012 Binning
 8,203,237 B1 6/2012 Cowles
 D691,365 S * 10/2013 Cote D3/203.2
 D704,429 S * 5/2014 Nowak D3/203.1
 9,016,500 B1 4/2015 Rossi
 9,059,777 B2 6/2015 Shattuck et al.
 D760,490 S * 7/2016 Johnson D24/224
 D764,787 S * 8/2016 Montminy D3/202
 9,473,191 B1 10/2016 Raymond
 D796,836 S * 9/2017 Votel D3/228
 D797,442 S * 9/2017 Moreau D3/215
 2002/0020635 A1 2/2002 Gordon

2002/0088737 A1 7/2002 Stepp
 2002/0100197 A1 8/2002 Perry
 2002/0139708 A1 10/2002 Lien
 2003/0053308 A1 3/2003 Cathel
 2003/0141325 A1 7/2003 Balogh
 2003/0175993 A1 9/2003 Toranto et al.
 2004/0196645 A1 10/2004 Allinson
 2005/0133383 A1 6/2005 Lyon
 2005/0134455 A1 6/2005 Binning
 2005/0135570 A1 6/2005 Binning
 2005/0143048 A1 6/2005 Binning
 2005/0199512 A1 9/2005 Davidson
 2006/0169601 A1 8/2006 Lyon
 2006/0171142 A1 8/2006 Abel et al.
 2006/0270290 A1 11/2006 Tellew
 2007/0007150 A1 1/2007 Stacey
 2007/0035403 A1 2/2007 Krishna et al.
 2007/0051739 A1 3/2007 Giraud
 2007/0084735 A1 4/2007 Lancesseur et al.
 2007/0114095 A1 5/2007 Swierski et al.
 2007/0170202 A1 7/2007 Chen et al.
 2007/0235349 A1 10/2007 Nichols et al.
 2007/0235350 A1 10/2007 Warlick
 2008/0006556 A1 1/2008 Bhuchar
 2009/0201147 A1 8/2009 Gottlieb
 2010/0033319 A1 2/2010 Pattok et al.
 2010/0265089 A1 10/2010 Gregory
 2011/0114531 A1 5/2011 Diestel
 2012/0047656 A1 3/2012 Benton et al.
 2013/0245557 A1 9/2013 Brasington
 2013/0256329 A1 10/2013 Belfance et al.
 2015/0129628 A1 5/2015 Messner
 2015/0174005 A1 6/2015 Piecing
 2015/0360834 A1 12/2015 Mikhail
 2016/0130045 A1 5/2016 Giraud et al.
 2016/0338909 A1 11/2016 Feld

* cited by examiner

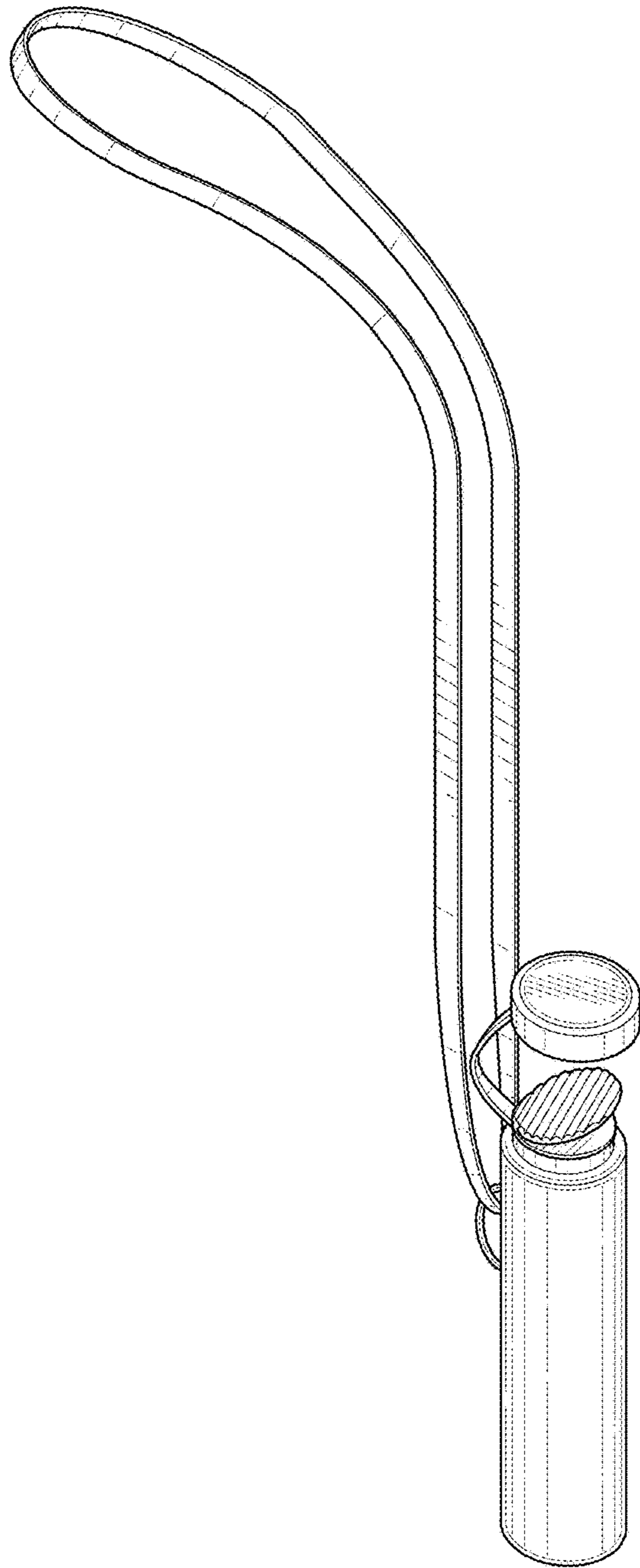
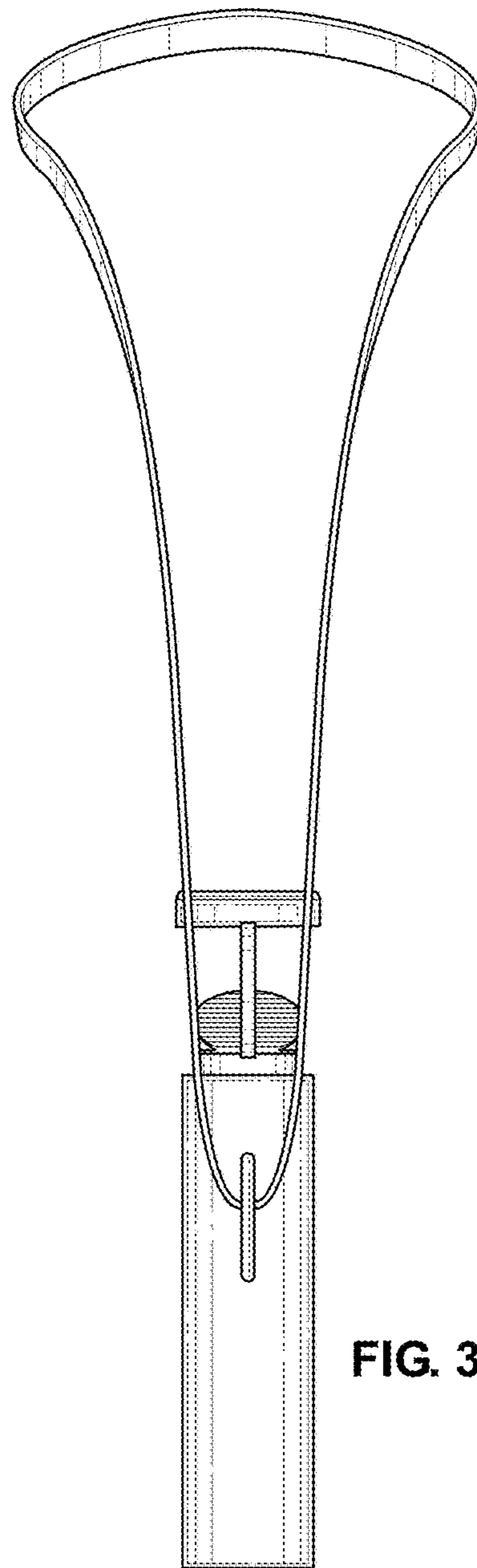
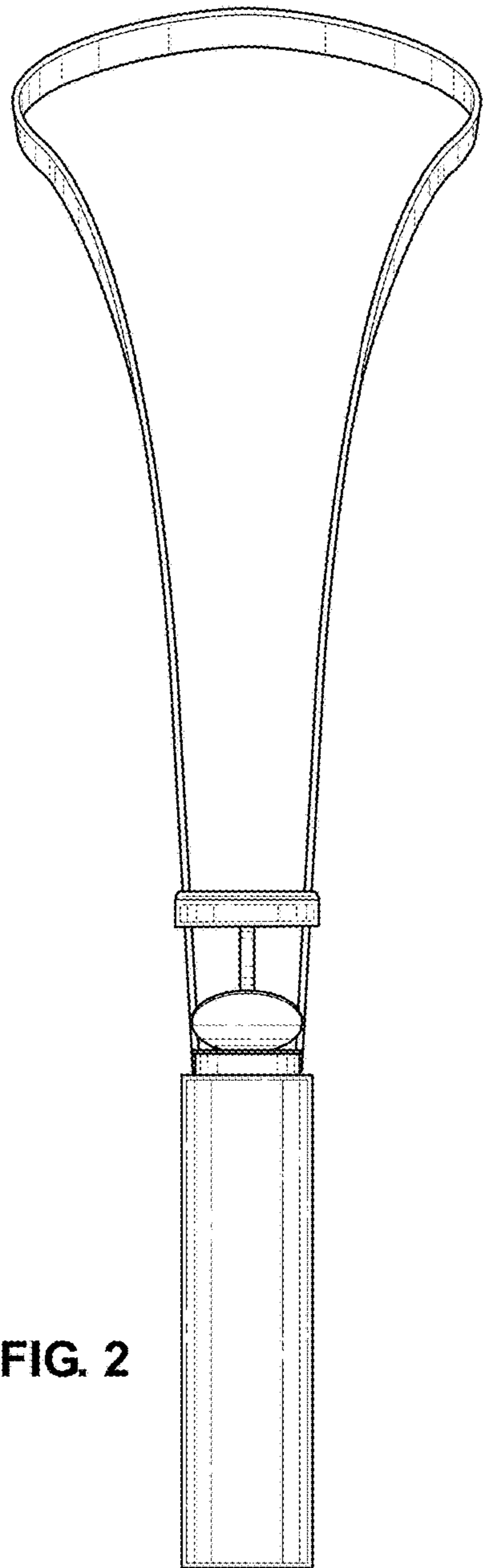


FIG. 1



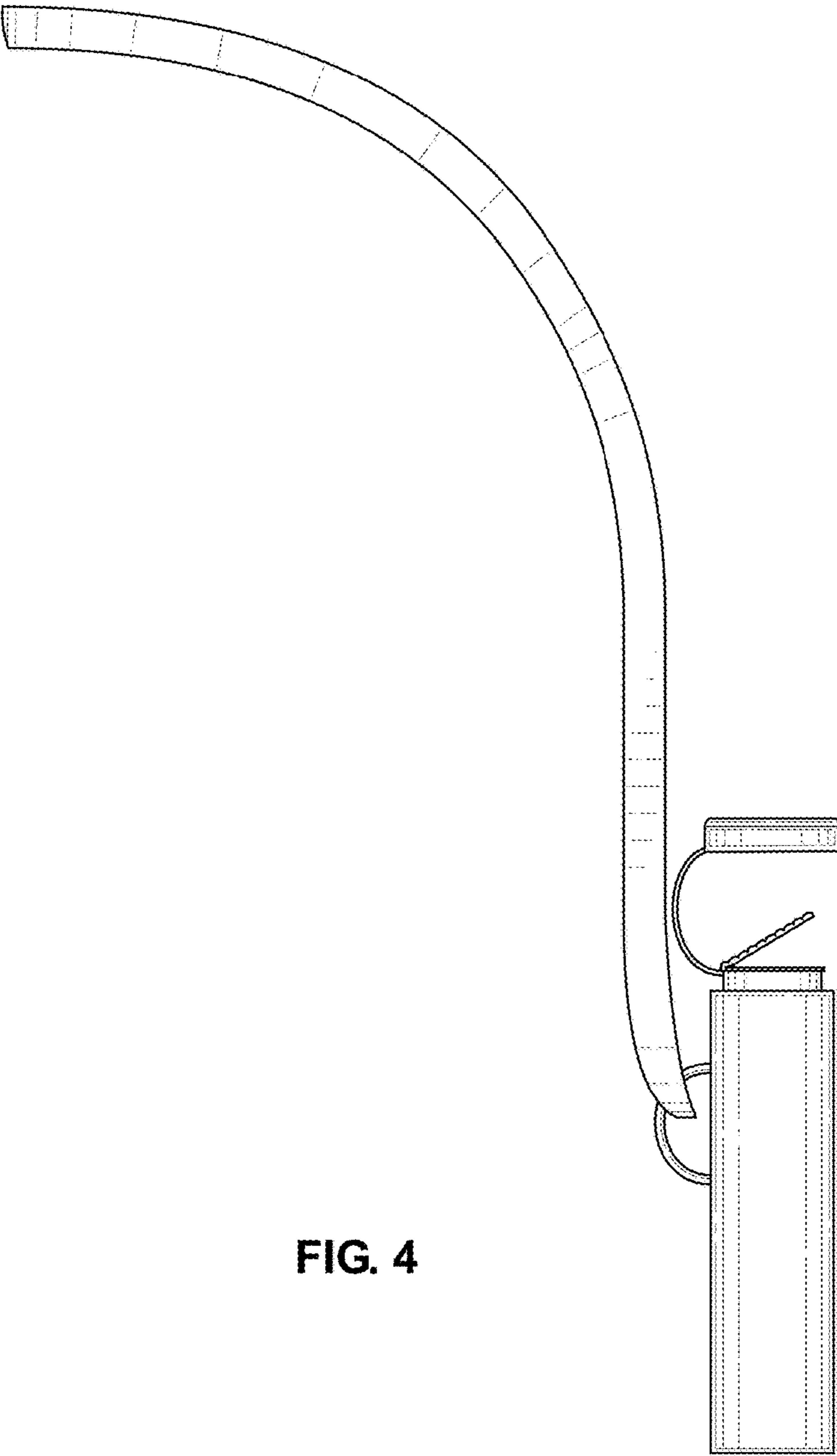


FIG. 4

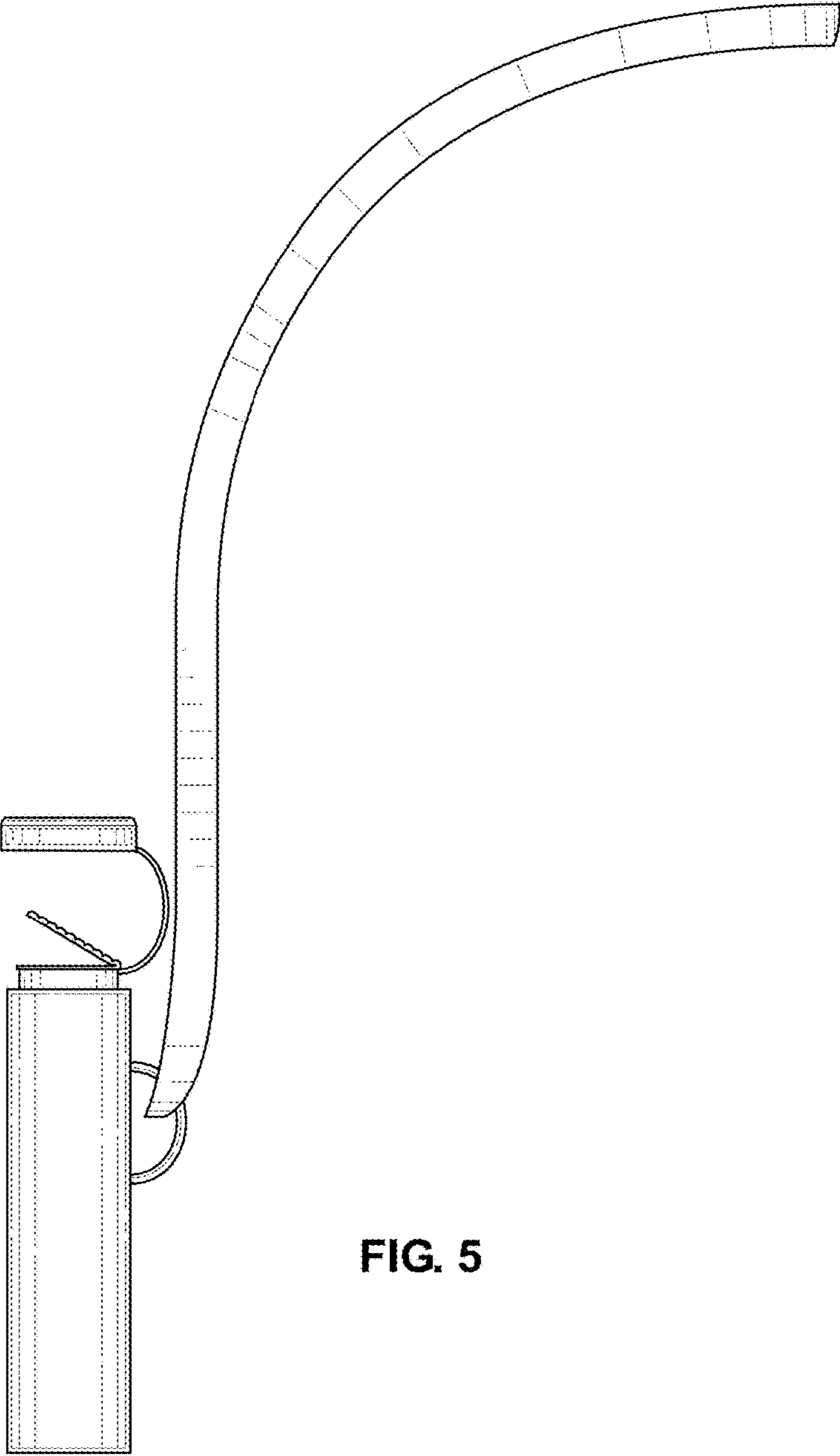


FIG. 5

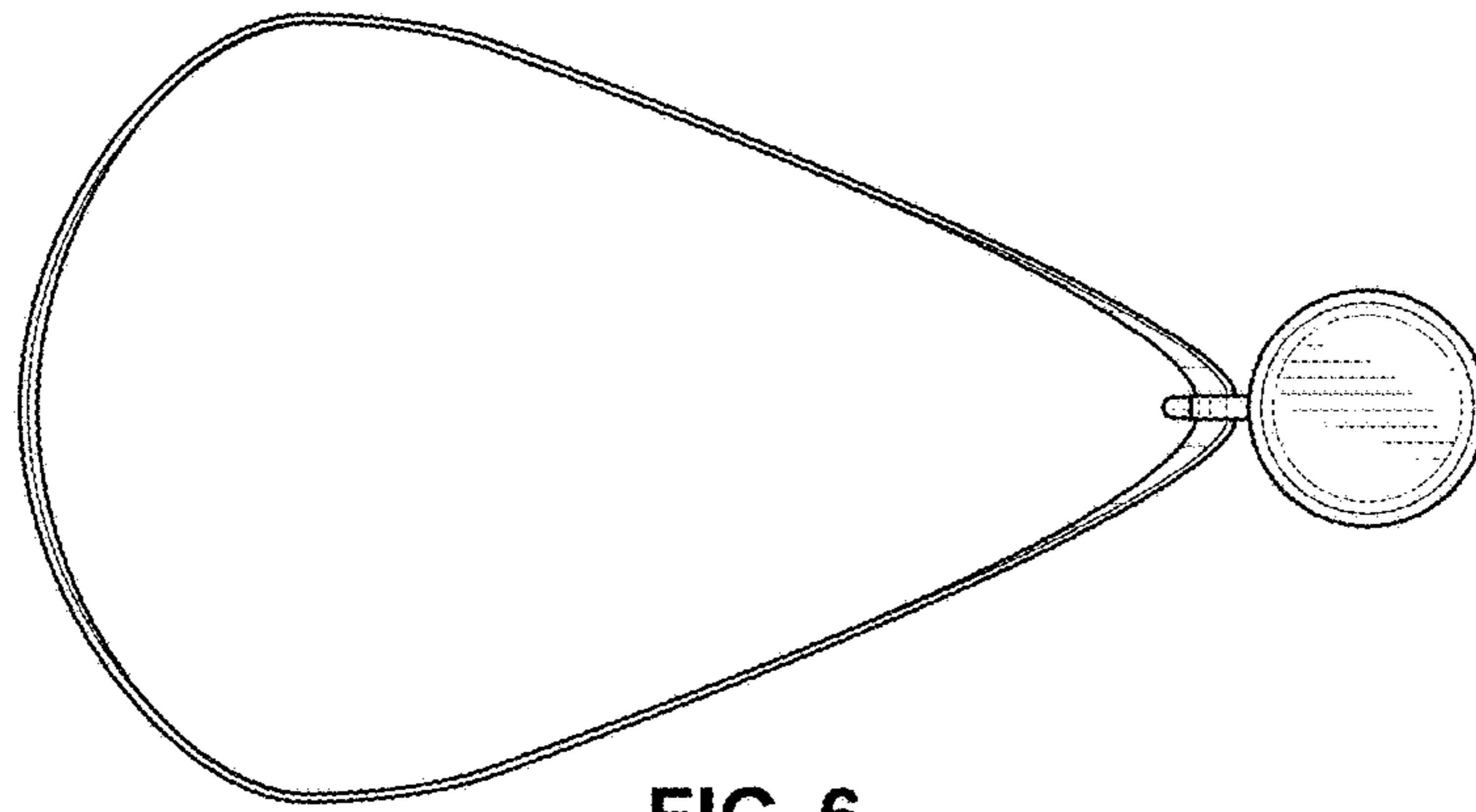


FIG. 6

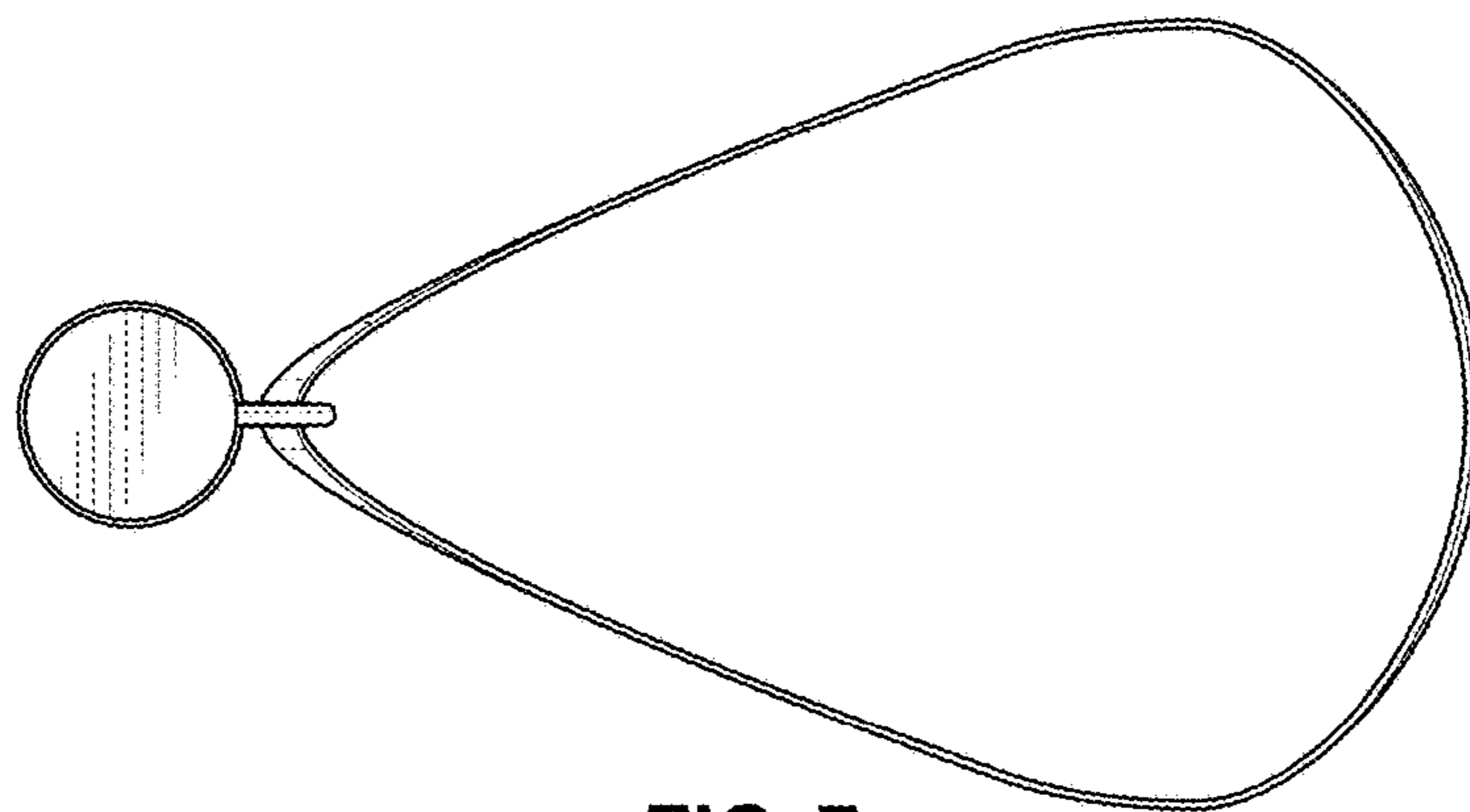


FIG. 7