



US00D840131S

(12) **United States Design Patent**
Estes

(10) **Patent No.:** **US D840,131 S**

(45) **Date of Patent:** **** Feb. 12, 2019**

(54) **SHORTS WITH ATTACHED TOWEL**

(71) Applicant: **Davon Estes**, Charlotte, NC (US)

(72) Inventor: **Davon Estes**, Charlotte, NC (US)

(**) Term: **15 Years**

(21) Appl. No.: **29/611,891**

(22) Filed: **Jul. 26, 2017**

(51) **LOC (11) Cl.** **02-02**

(52) **U.S. Cl.**
USPC **D2/738**

(58) **Field of Classification Search**

USPC D2/712, 713, 716, 731, 738, 737, 742

CPC A41B 9/00; A41B 9/002; A41B 9/004;

A41B 9/005; A41B 9/007; A41B 9/008;

A41B 9/02; A41B 9/023; A41B 9/026;

A41B 9/04; A41D 1/06; A41D 1/08;

A41D 1/089; A41D 7/00

See application file for complete search history.

5,012,543 A 5/1991 Lewis, Sr.

5,075,901 A 12/1991 Vollrath

D341,694 S * 11/1993 Jackson D2/712

D423,188 S * 4/2000 Raffali D2/700

6,074,274 A * 6/2000 Pyatt A41C 1/003
2/228

7,174,570 B2 2/2007 Dabney et al.

7,305,715 B2 * 12/2007 Orsos A41D 7/003
2/67

D593,280 S 6/2009 Netterville

D646,868 S * 10/2011 Hutchinson D2/742

D655,477 S * 3/2012 Robinson D2/738

D712,625 S 9/2014 Vasquez

D747,844 S * 1/2016 Dawson D2/712

D816,947 S * 5/2018 Aronson D2/738

2008/0115250 A1 5/2008 Tousant

2018/0132545 A1 * 5/2018 Fromer A41B 1/08

* cited by examiner

Primary Examiner — R. Johnson

(57) **CLAIM**

The ornamental design for a shorts with attached towel, as shown and described.

DESCRIPTION

FIG. 1 is a front view of a shorts with attached towel showing my new design;

FIG. 2 is a rear view of the shorts with attached towel;

FIG. 3 is a left side view of the shorts with attached towel;

FIG. 4 is a right side view of the shorts with attached towel;

FIG. 5 is a top view of the shorts with attached towel; and,

FIG. 6 is a bottom view of the shorts with attached towel.

The broken lines shown on the shorts with attached towel represent stitching.

1 Claim, 4 Drawing Sheets

(56) **References Cited**

U.S. PATENT DOCUMENTS

1,592,732 A * 7/1926 Friedman A61F 5/40
2/404

D137,924 S * 5/1944 Brodigan D2/712

3,760,461 A 9/1973 Wright

4,446,575 A * 5/1984 Davis A41D 13/1254

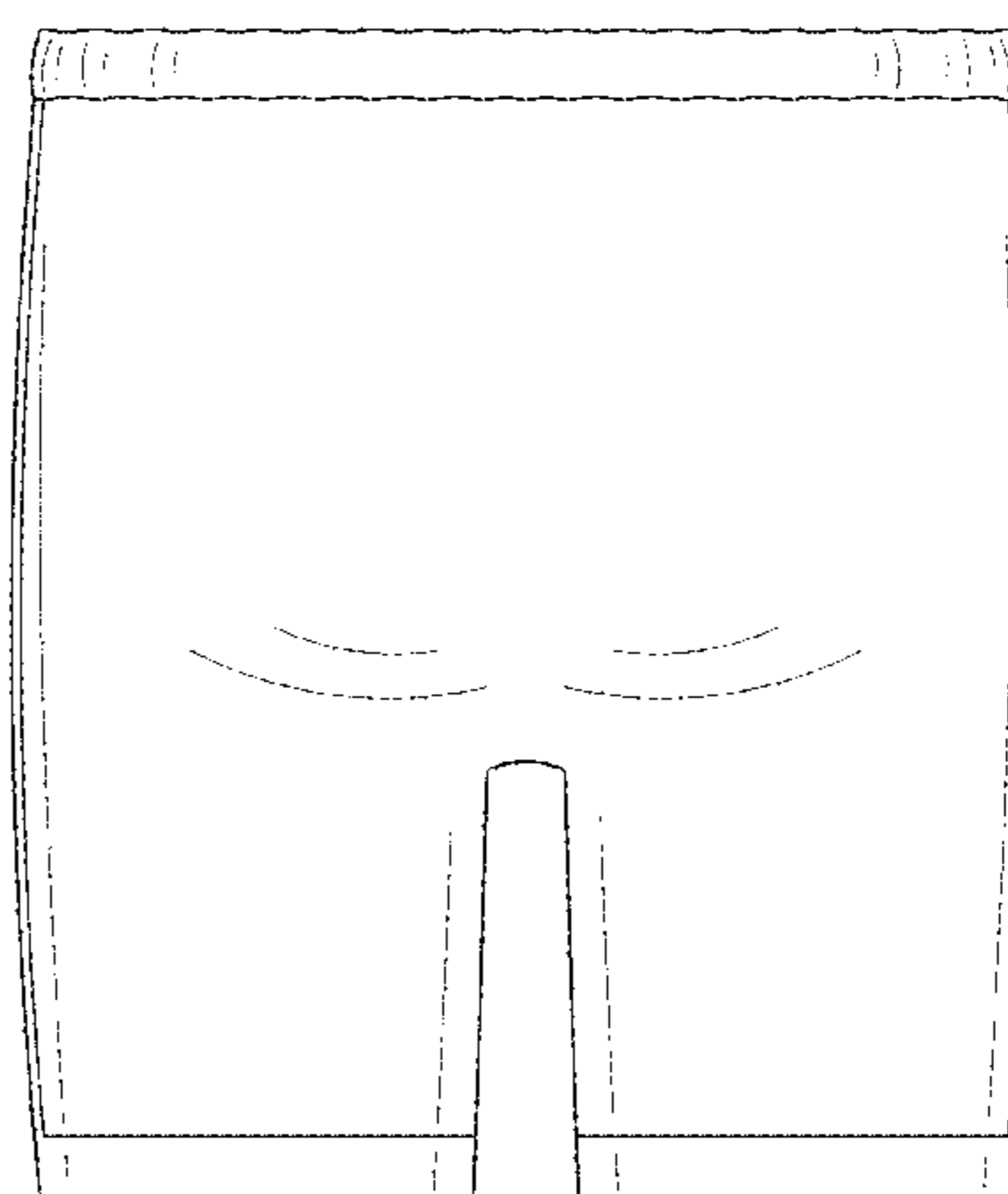
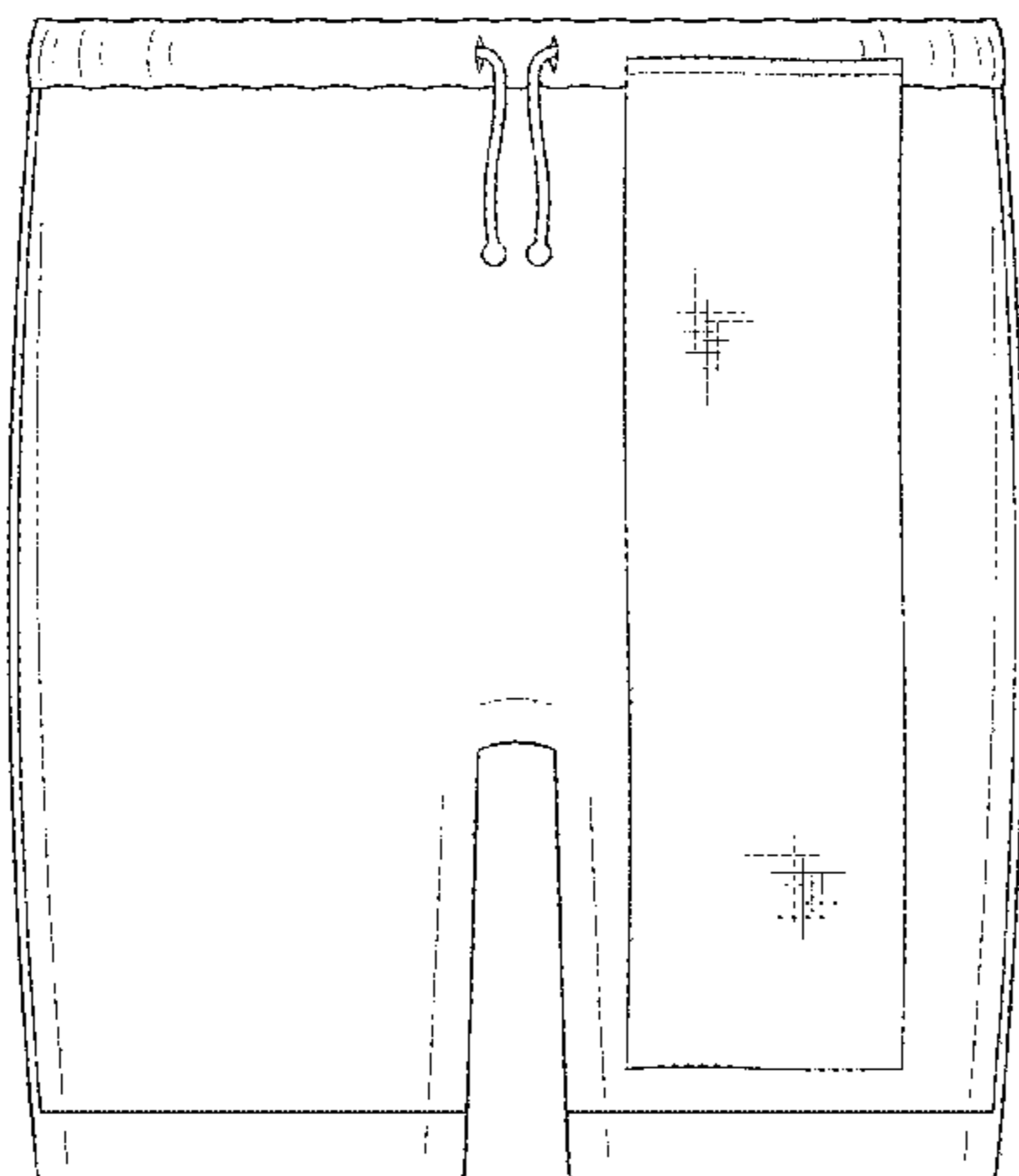
4,533,355 A * 8/1985 Fair A61F 5/445

2/400

4,768,236 A 9/1988 Klob

4,771,478 A 9/1988 Bisagno et al.

4,771,502 A 9/1988 Trimble



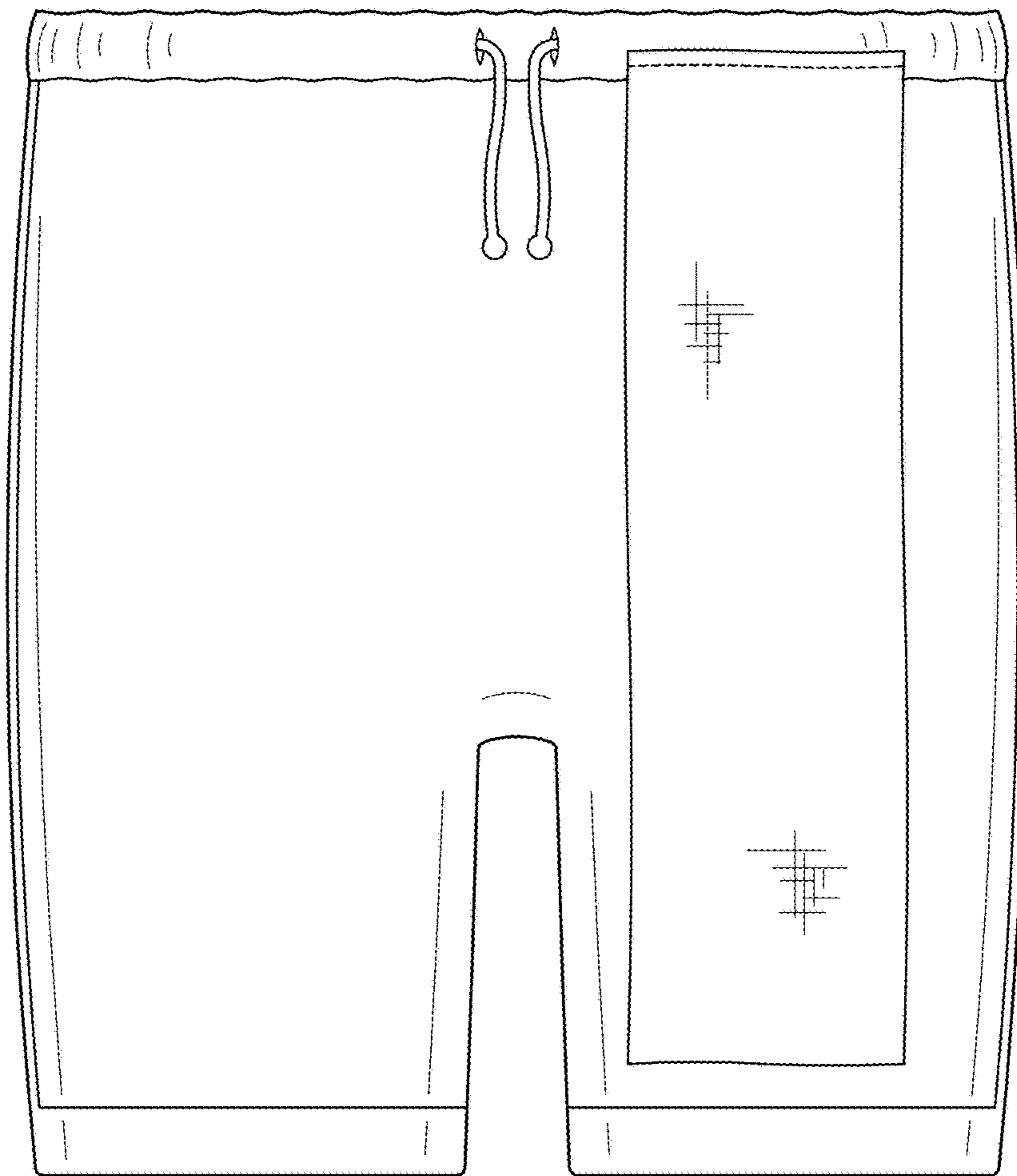


FIG. 1

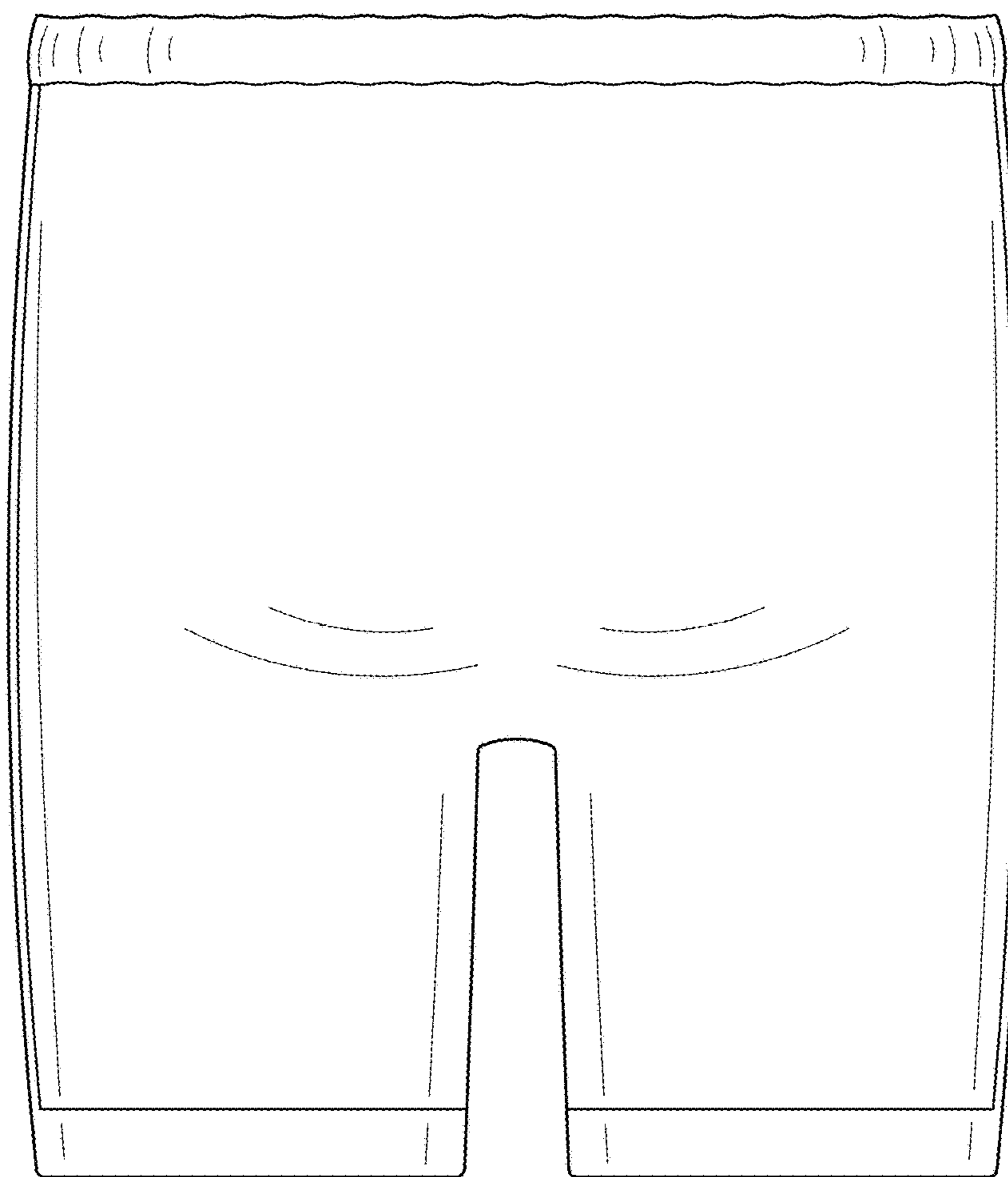


FIG. 2

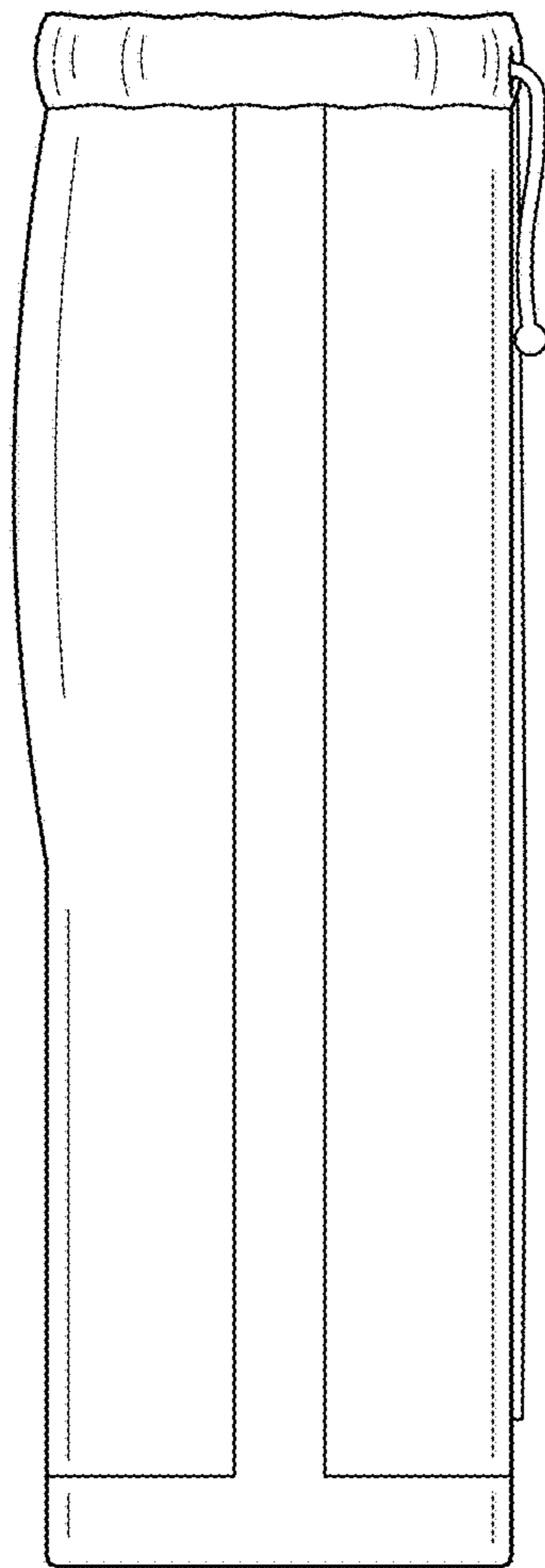


FIG. 3

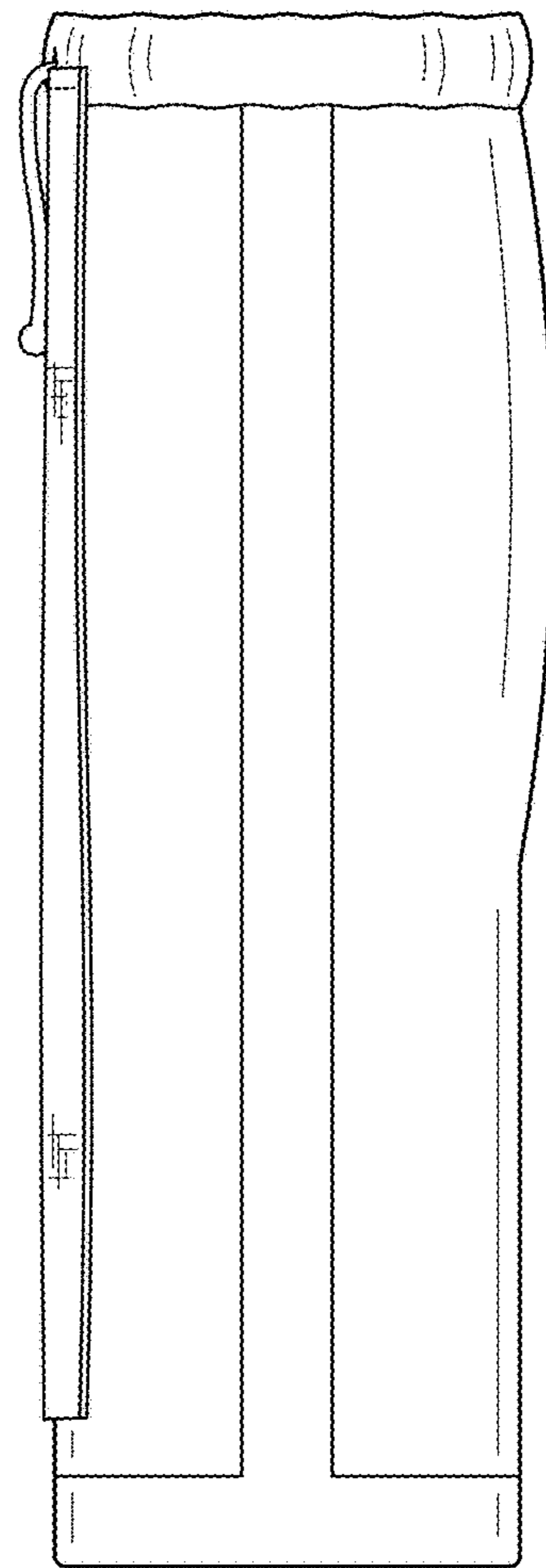


FIG. 4

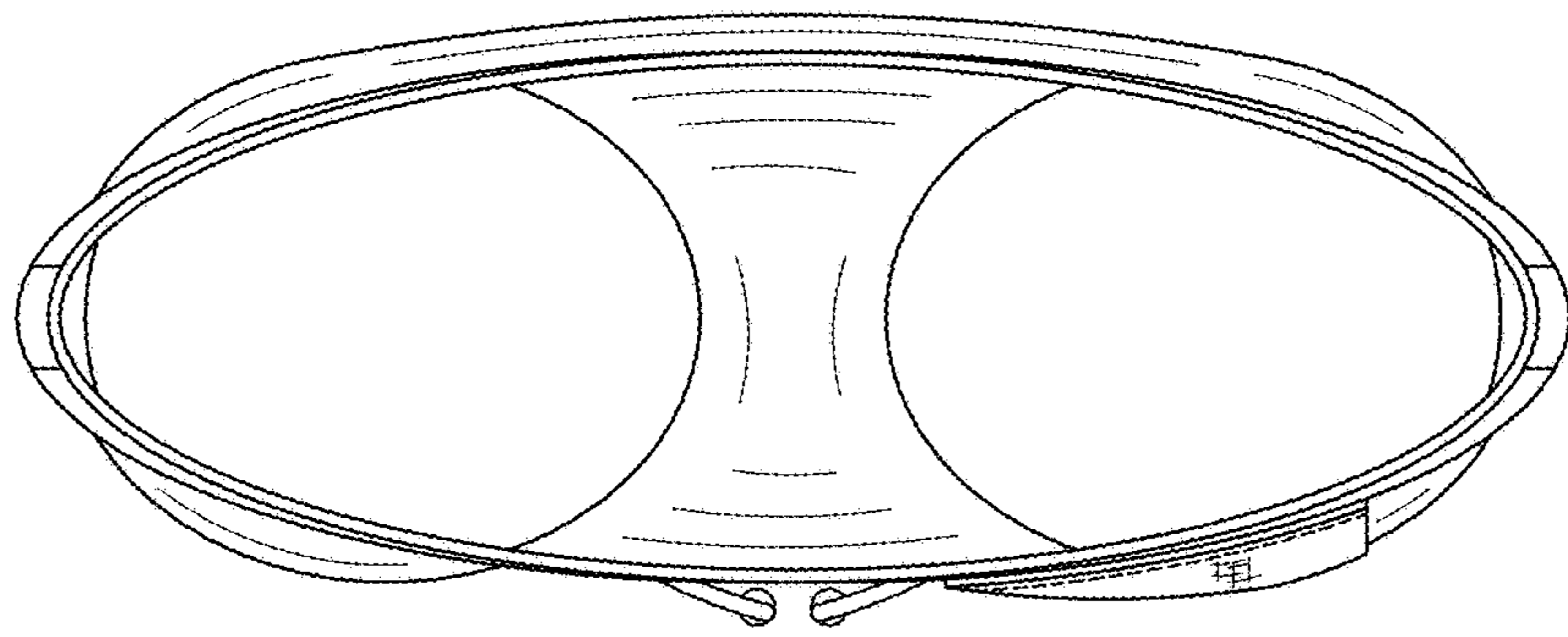


FIG. 5

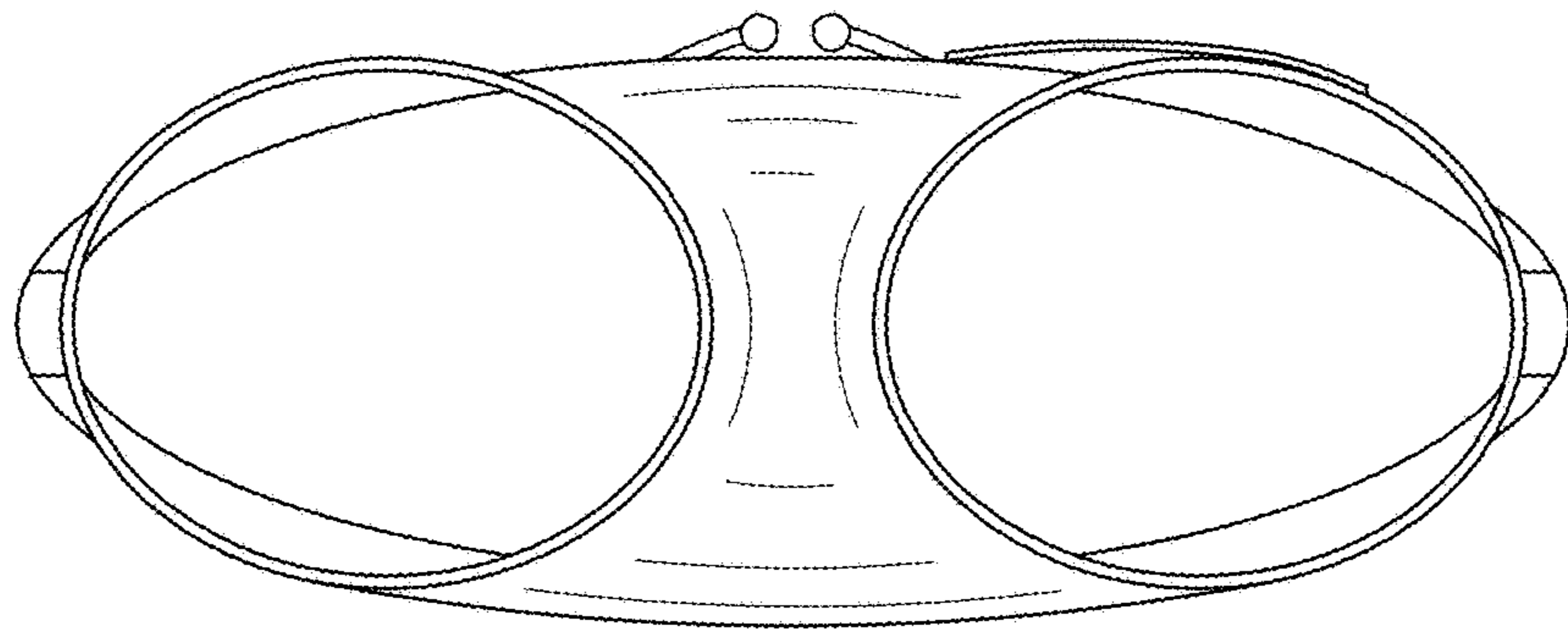


FIG. 6