



US00D840128S

(12) **United States Design Patent** (10) **Patent No.:** **US D840,128 S**  
**van Loenhout** (45) **Date of Patent:** **\*\* Feb. 5, 2019**

(54) **SHELF FOR USE IN WHEELED CONTAINERS, TROLLEYS AND OTHER LOAD CARRIERS**

(71) Applicant: **Container Centralen A/S**, Odense SV (DK)

(72) Inventor: **Frits Willem Louis van Loenhout**, Moerdijk (NL)

(73) Assignee: **Container Centralen A/S**, Odense SV (DK)

(\*\*) Term: **15 Years**

(21) Appl. No.: **29/583,920**

(22) Filed: **Nov. 10, 2016**

(30) **Foreign Application Priority Data**

May 10, 2016 (EM) ..... 003119452-0003

(51) **LOC (11) Cl.** ..... **12-02**

(52) **U.S. Cl.**  
USPC ..... **D34/27**

(58) **Field of Classification Search**  
USPC ..... D34/12, 27, 21; 280/33.992, 33.996, 280/33.997  
CPC ..... B62B 3/14; B62B 3/1476; B62B 3/1408; B62B 3/1488; B62B 3/1472; B62B 3/02; B62B 3/182; B62B 3/186; A47F 5/08; A47F 5/0018; A47F 5/0031; A47F 5/0043  
See application file for complete search history.

(56) **References Cited**

**U.S. PATENT DOCUMENTS**

3,225,720 A \* 12/1965 Maslow ..... A47B 55/02 108/181  
D304,115 S \* 10/1989 Cohn ..... D34/12  
5,024,336 A \* 6/1991 Spamer ..... A47F 3/14 211/153

5,709,158 A \* 1/1998 Wareheim ..... A47B 87/0246 108/180  
7,055,704 B2 \* 6/2006 Alter ..... A47B 47/028 108/51.11  
D720,112 S \* 12/2014 Liao ..... D34/27  
D733,988 S \* 7/2015 Raninen ..... D34/27  
2011/0285099 A1 \* 11/2011 Volper ..... B62B 3/02 280/47.11  
2017/0055709 A1 \* 3/2017 Nowe ..... A01G 9/143  
2017/0197647 A1 \* 7/2017 Bouma ..... B62B 3/005

\* cited by examiner

*Primary Examiner* — Cynthia Ramirez

(74) *Attorney, Agent, or Firm* — Walter | Haverfield LLP; Sean F. Mellino; D. Peter Hochberg

(57) **CLAIM**

The ornamental design for a shelf for use in wheeled containers, trolleys and other load carriers, as shown and described.

**DESCRIPTION**

FIG. 1 is a perspective view of the shelf for use in wheeled containers, trolleys and other load carriers according to the present invention;

FIG. 2 is a top view of the shelf for use in wheeled containers, trolleys and other load carriers according to the present invention as shown in FIG. 1;

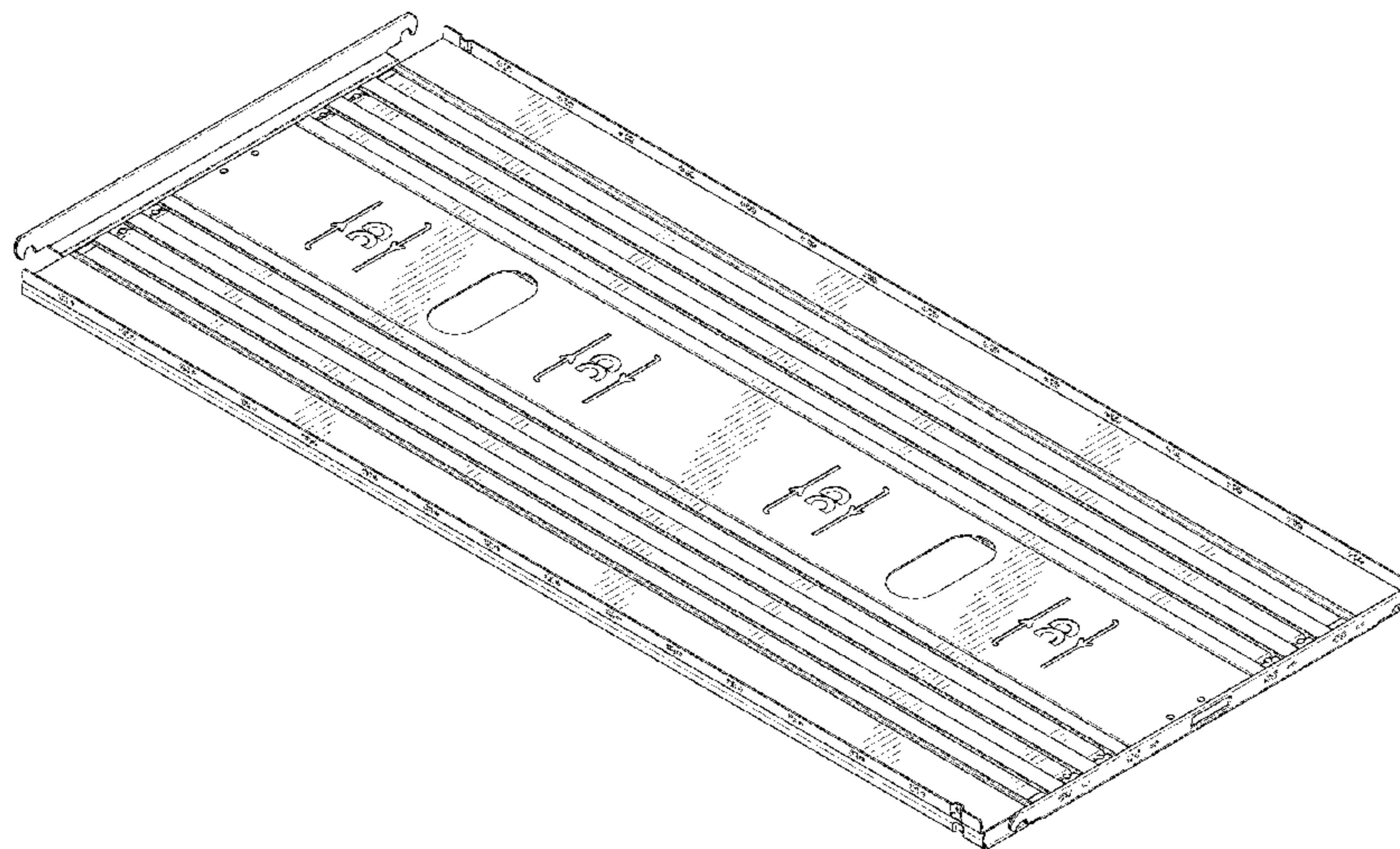
FIG. 3 is a front view of the shelf for use in wheeled containers, trolleys and other load carriers according to the present invention as shown in FIG. 1;

FIG. 4 is a side view of the shelf for use in wheeled containers, trolleys and other load carriers according to the present invention as shown in FIG. 1, it being understood that the opposing side view is identical; and,

FIG. 5 is a bottom view of the shelf for use in wheeled containers, trolleys and other load carriers according to the present invention as shown in FIG. 1.

The broken lines in FIGS. 1, 3 and 4 are to show portions of the shelf for use in wheeled containers, trolleys and other load which form no part of the claimed design.

**1 Claim, 4 Drawing Sheets**



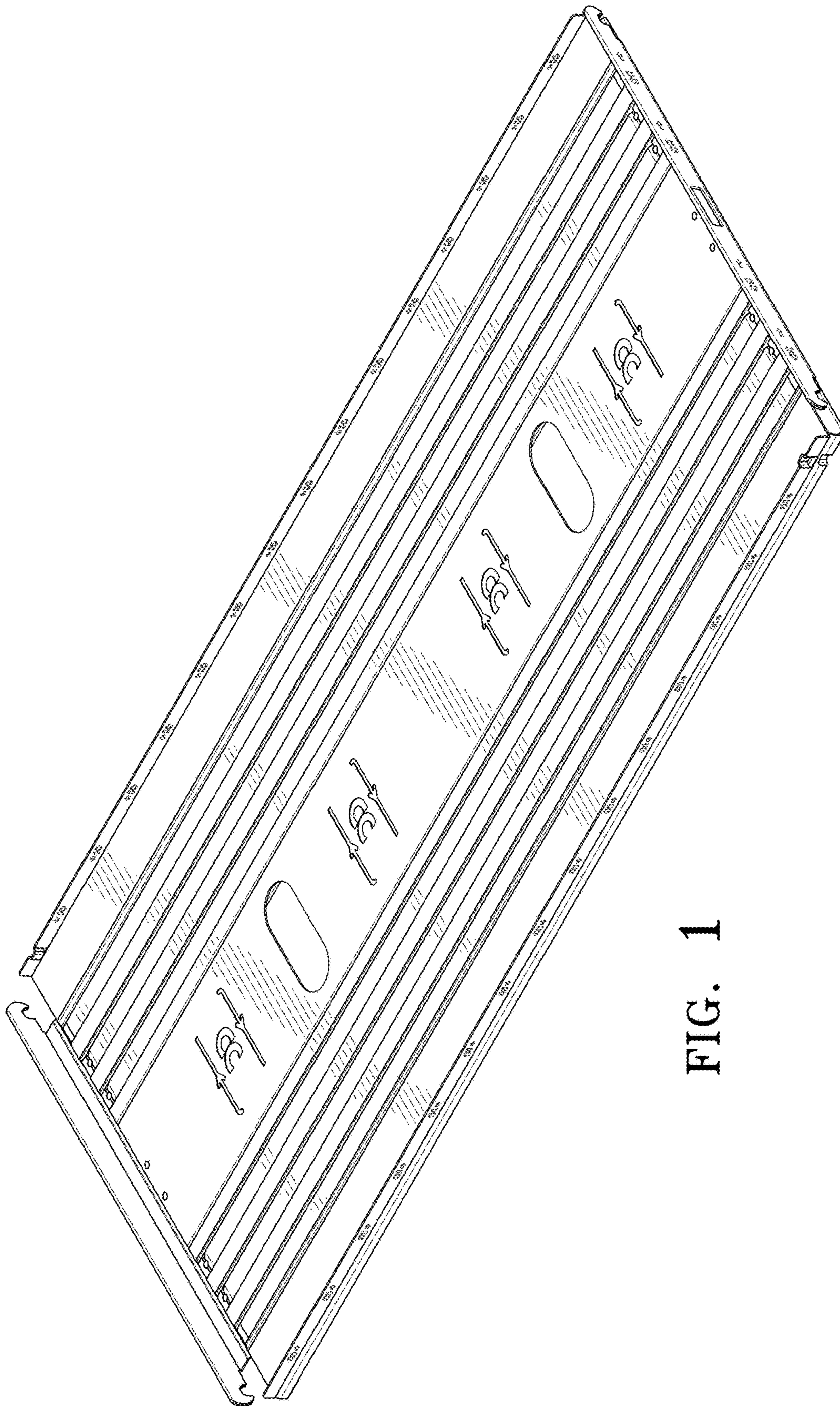


FIG. 1

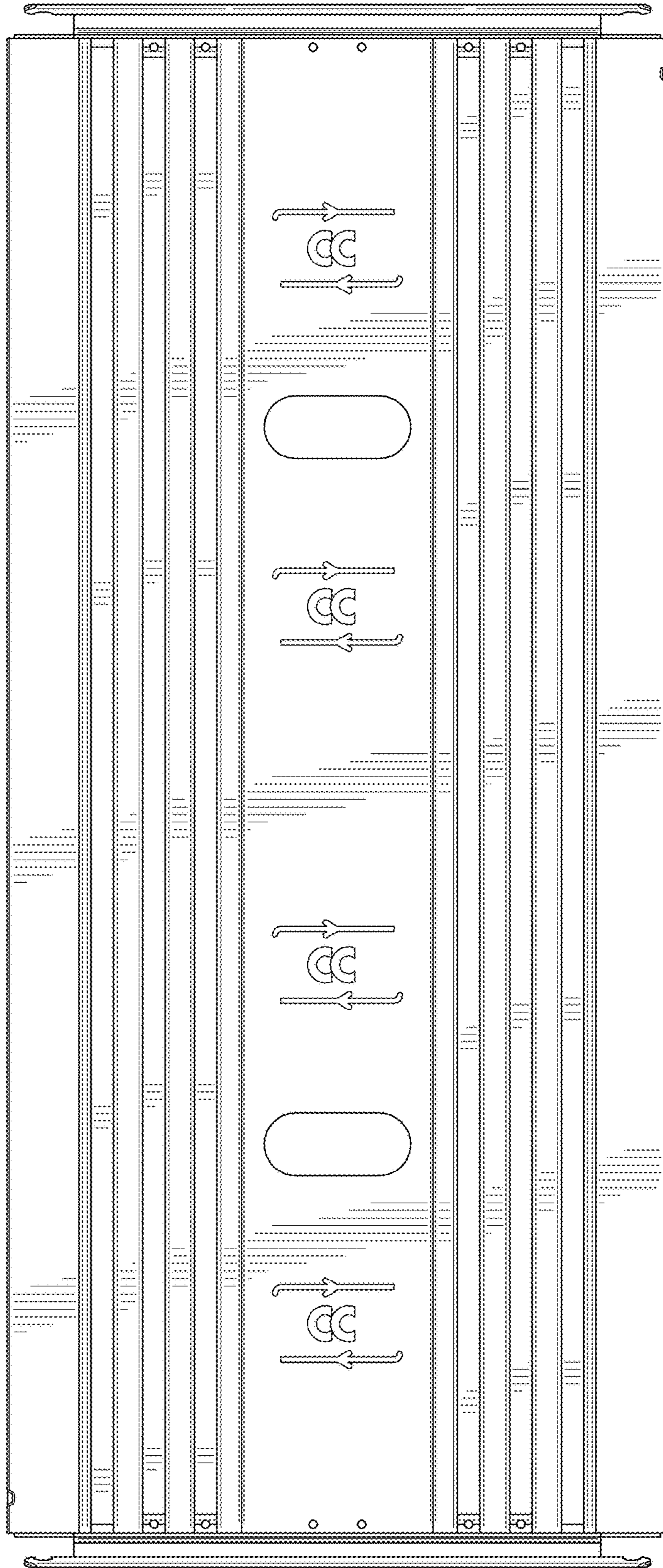


FIG. 2

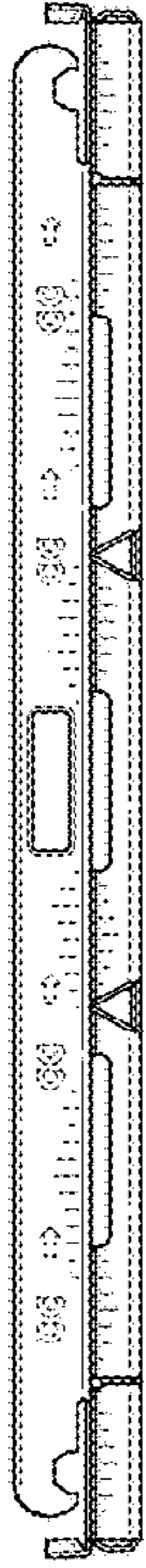


FIG. 3

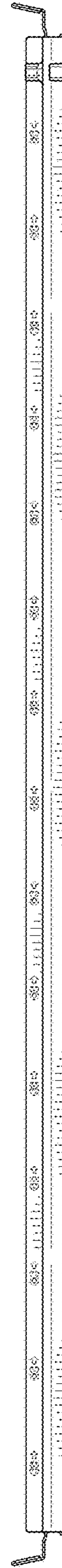


FIG. 4

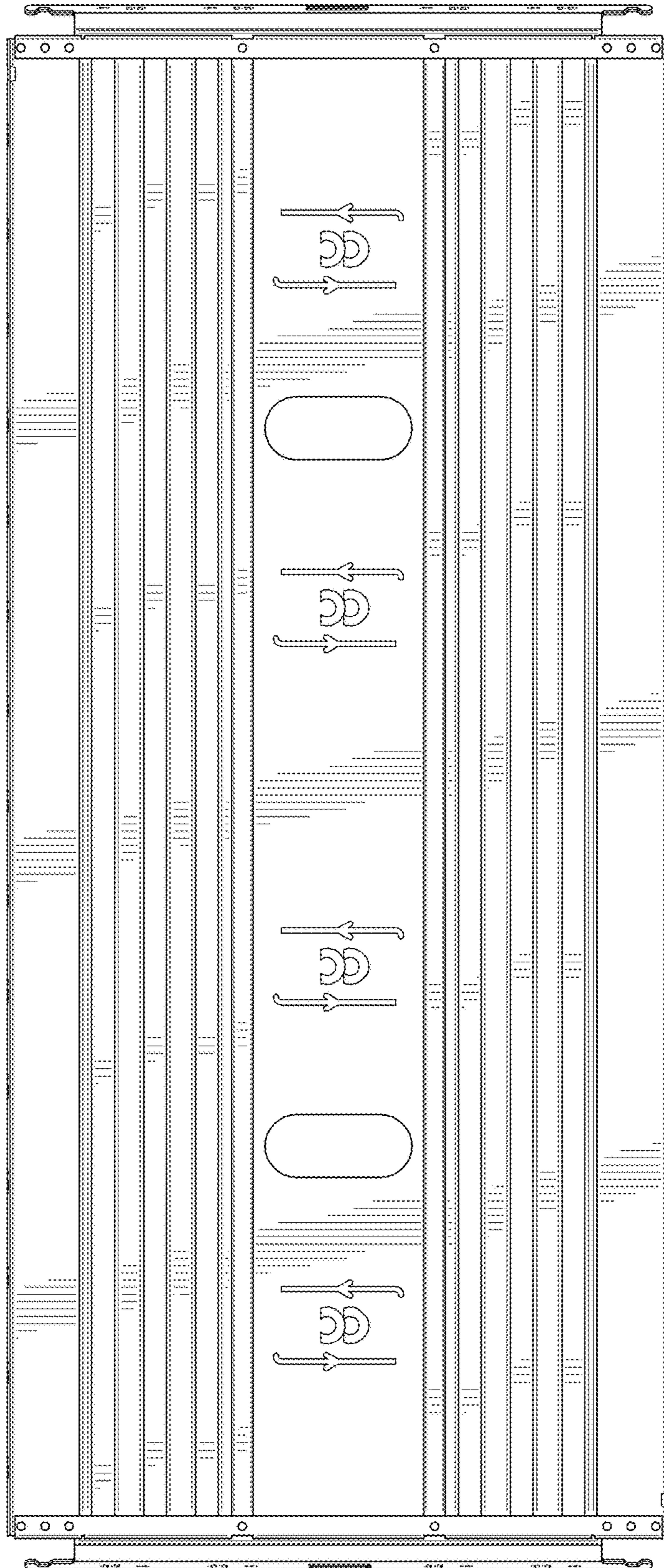


FIG. 5