



US00D840127S

(12) **United States Design Patent** (10) **Patent No.:** **US D840,127 S**
Walter et al. (45) **Date of Patent:** **** Feb. 5, 2019**

(54) **UTILITY CART**

(71) Applicant: **AMSA, Inc.**, Boulder, CO (US)

(72) Inventors: **Ivor Michel Walter**, Boulder, CO (US);
Paul Jensen, Boulder, CO (US);
Wilson Zeng, Foshan (CN)

(73) Assignee: **AMSA, Inc.**, Boulder, CO (US)

(**) Term: **15 Years**

(21) Appl. No.: **29/617,472**

(22) Filed: **Sep. 14, 2017**

Related U.S. Application Data

(62) Division of application No. 29/517,942, filed on Feb. 18, 2015, now Pat. No. Des. 798,520.

(51) **LOC (11) Cl.** **12-02**

(52) **U.S. Cl.**
USPC **D34/21**

(58) **Field of Classification Search**
USPC D34/12-27; 280/33.991, 33.992, 33.993,
280/33.995, 33.996, 33.997, 47.35, 47.34,
280/79.3

CPC .. B62B 3/027; B62B 3/1468; B62B 2501/067
See application file for complete search history.

(56) **References Cited**

U.S. PATENT DOCUMENTS

2,764,419 A 9/1956 Enders
D199,670 S 12/1964 Inglis
3,429,403 A 2/1969 Dreschler et al.
D221,748 S 9/1971 Bloomfield et al.

(Continued)

OTHER PUBLICATIONS

Applicant AMSA, Inc. DBA VersaCart Systems Brochure for Orgill
Spring Dealer Market 2015. 6 pages.

(Continued)

Primary Examiner — Cynthia Ramirez

Assistant Examiner — Gino Colan

(74) *Attorney, Agent, or Firm* — Polson Intellectual
Property Law, PC; Margaret Polson

(57) **CLAIM**

The ornamental design for a utility cart, as shown and described.

DESCRIPTION

FIG. 1 is a front isometric view of my new design for a utility cart with the cover trays removed.

FIG. 2 is a back isometric view of FIG. 1.

FIG. 3 is a side elevation view of the right and left sides, which are mirror images, of FIG. 1.

FIG. 4 is a front side elevation view of FIG. 1.

FIG. 5 is a back side elevation view of FIG. 1.

FIG. 6 is a top plan view of FIG. 1.

FIG. 7 is a bottom plan view of FIG. 1.

FIG. 8 is a side elevation view of the right and left sides, which are mirror images, of the embodiment of FIG. 1 with the only difference being the top shelf and middle shelf and the third shelf being lifted to the nesting position, it being understood that all other surfaces are the same as the other views of this embodiment.

FIG. 9 is a front isometric view of the embodiment of FIG. 1 with the only difference being cover trays are place, it being understood that all other surfaces are the same as the other views of this embodiment.

FIG. 10 is a back isometric view of FIG. 9.

FIG. 11 is a side elevation view of the right and left sides, which are mirror images, of FIG. 9.

FIG. 12 is a front side elevation view of FIG. 9.

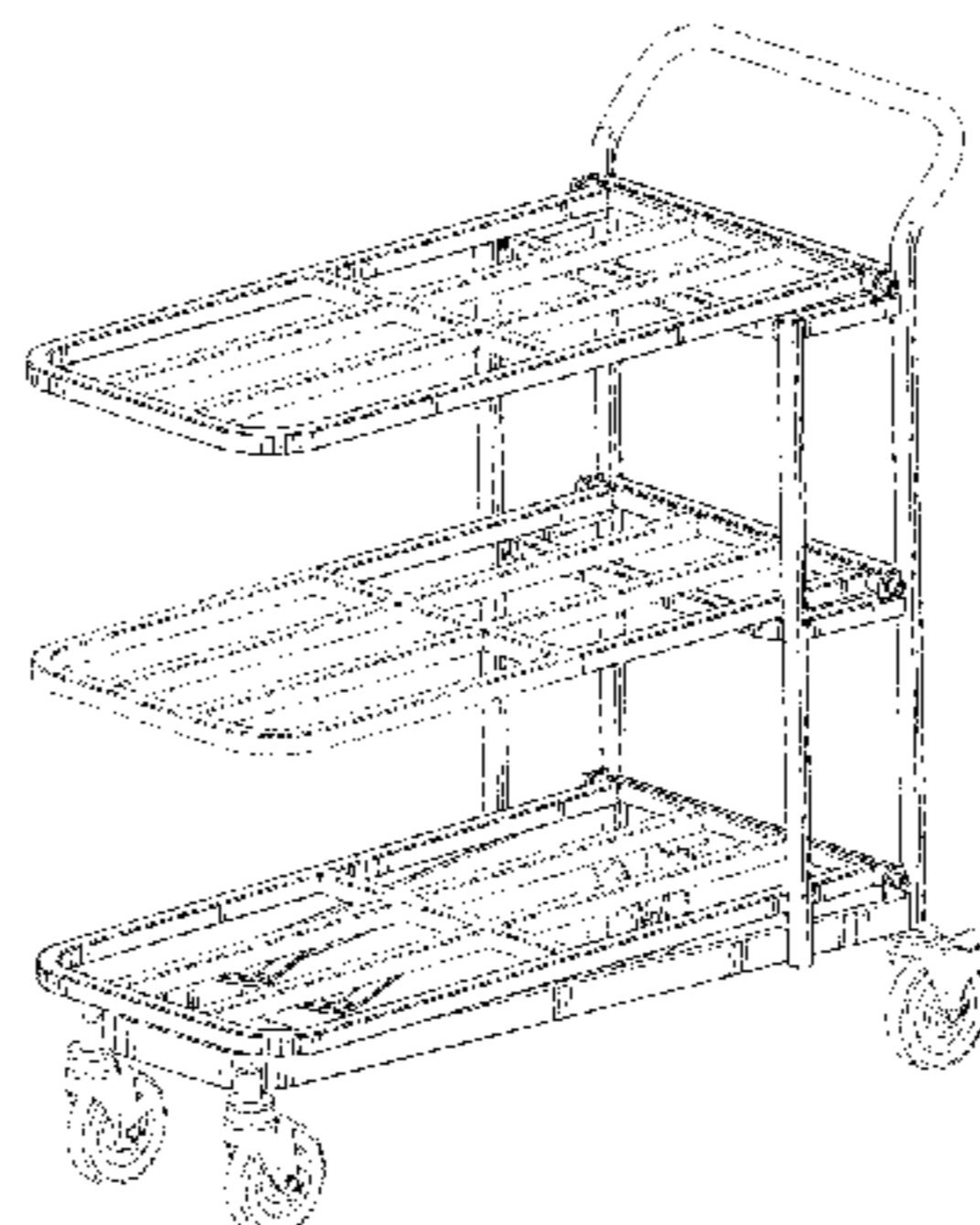
FIG. 13 is a back side elevation view of FIG. 9.

FIG. 14 is a top plan view of FIG. 9; and,

FIG. 15 is a bottom plan view of FIG. 9.

The features shown in broken lines in the drawing depict environmental subject matter only and form no part of the claimed design.

1 Claim, 11 Drawing Sheets



(56)

References Cited

U.S. PATENT DOCUMENTS

D228,609	S	5/1973	Cummings et al.
D238,663	S	2/1976	Schifman
D240,297	S	6/1976	Trubiano
D280,858	S	10/1985	Muellner et al.
D297,677	S	9/1988	Conn
4,826,186	A	5/1989	Hagelin
4,850,604	A	7/1989	Le Marchand et al.
D340,334	S	10/1993	Kean et al.
D386,873	S	11/1997	Langlois d'Estaintot et al.
D399,625	S	10/1998	Murphy et al.
6,739,605	B2	5/2004	Calmeise et al.
D542,997	S	5/2007	Coderre
D548,421	S	8/2007	Walter
D576,372	S	9/2008	Walter
D577,172	S	9/2008	Coderre
D580,617	S	11/2008	Walter
D583,523	S	12/2008	Deal et al.
D584,023	S	12/2008	Walter
D607,173	S	12/2009	Selvig et al.
D644,809	S	9/2011	Walter
D665,552	S	8/2012	Walter
D672,111	S	12/2012	Walter
D677,033	S	2/2013	Walter
D700,762	S	3/2014	Walter
D742,088	S	10/2015	Walter
D798,019	S	9/2017	Walter et al.
D798,520	S	9/2017	Walter et al.
2003/0205873	A1	11/2003	Orozco
2009/0309322	A1	12/2009	Selvig et al.

OTHER PUBLICATIONS

Applicant AMSA, Inc. DBA VersaCart Systems Brochure for Orgill Fall Dealer Market 2015. 6 pages.
 Applicant AMSA, Inc. DBA VersaCart Systems Brochure for Orgill Fall Market 2012. 4 pages.
 Applicant AMSA, Inc. DBA VersaCart Systems Brochure for Orgill Spring Dealer Market 2014. 6 pages.
 Applicant AMSA, Inc. DBA VersaCart Systems Brochure for Orgill Fall Dealer Market 2014. 6 pages.
 Applicant AMSA, Inc. DBA VersaCart Systems Retail & Distribution Catalog 2008. 50 pages.
 Applicant AMSA, Inc. DBA VersaCart Systems Brochure for ACE Spring Convention 2013. 4 pages.

Applicant AMSA, Inc. DBA VersaCart Systems Brochure for ACE Spring Convention 2014. 4 pages.
 Applicant AMSA, Inc. DBA VersaCart Systems Brochure for ACE Spring Convention 2015. 4 pages.
 Applicant AMSA, Inc. DBA VersaCart Systems Brochure for ACE Spring Convention 2016. 4 pages.
 Applicant AMSA, Inc. DBA VersaCart Systems Brochure for ACE Spring Market 2012. 2 pages.
 Applicant AMSA, Inc. DBA VersaCart Systems Brochure for ACE Spring Convention 2017. 4 pages.
 Applicant AMSA, Inc. DBA VersaCart Systems Brochure for Do It Best Spring Market 2017. 6 pages.
 Applicant AMSA, Inc. DBA VersaCart Systems Brochure for Orgill Spring Dealer Market 2016. 6 pages.
 Applicant AMSA, Inc. DBA VersaCart Systems Brochure for True Value Spring Reunion 2017. 2 pages.
 Applicant AMSA, Inc. DBA VersaCart Systems SuperValu Expo flyer Aug. 3, 2016. 2 pages.
 Applicant AMSA, Inc. DBA VersaCart Systems Unified Expo flyer Aug. 2016. 2 pages.
 Applicant AMSA, Inc. DBA VersaCart Systems True Value flyer Fall Reunion 2017. 2 pages.
 Applicant AMSA, Inc. DBA VersaCart Systems True Value flyer Fall Reunion 2016. 2 pages.
 Applicant AMSA, Inc. DBA VersaCart Systems Brochure for ACE Fall Convention 2016. 4 pages.
 Applicant AMSA, Inc. DBA VersaCart Systems Brochure for ACE Fall Convention 2017. 4 pages.
 Applicant AMSA, Inc. DBA VersaCart Systems Brochure for Do It Best Fall Market 2016. 6 pages.
 Applicant AMSA, Inc. DBA VersaCart Systems Brochure for Do It Best Fall Market 2017. 6 pages.
 Applicant AMSA, Inc. DBA VersaCart Systems Brochure for Orgill Fall Dealer Market Las Vegas 2016. 6 pages.
 Applicant AMSA, Inc. DBA VersaCart Systems Brochure for Orgill Fall Dealer Market Boston 2016. 6 pages.
http://www.premiercarts.com/warehouse_carts.htm Material Handling Warehouse Carts. Admitted prior art to current design by Applicant.
 MarkeTools Stock Trucks Scan of website [<http://www.marketools.net/stocktrucks.html>] showing prior art carts manufactured by MarkeTools. Carts shown are admitted prior art to current design by Applicant.
 MarkeTools Shopping carts Scan of website [<http://www.marketools.net/shoppingcarts.html>] showing prior art carts manufactured by MarkeTools. Carts shown are admitted prior art to current design by Applicant.



FIG.1

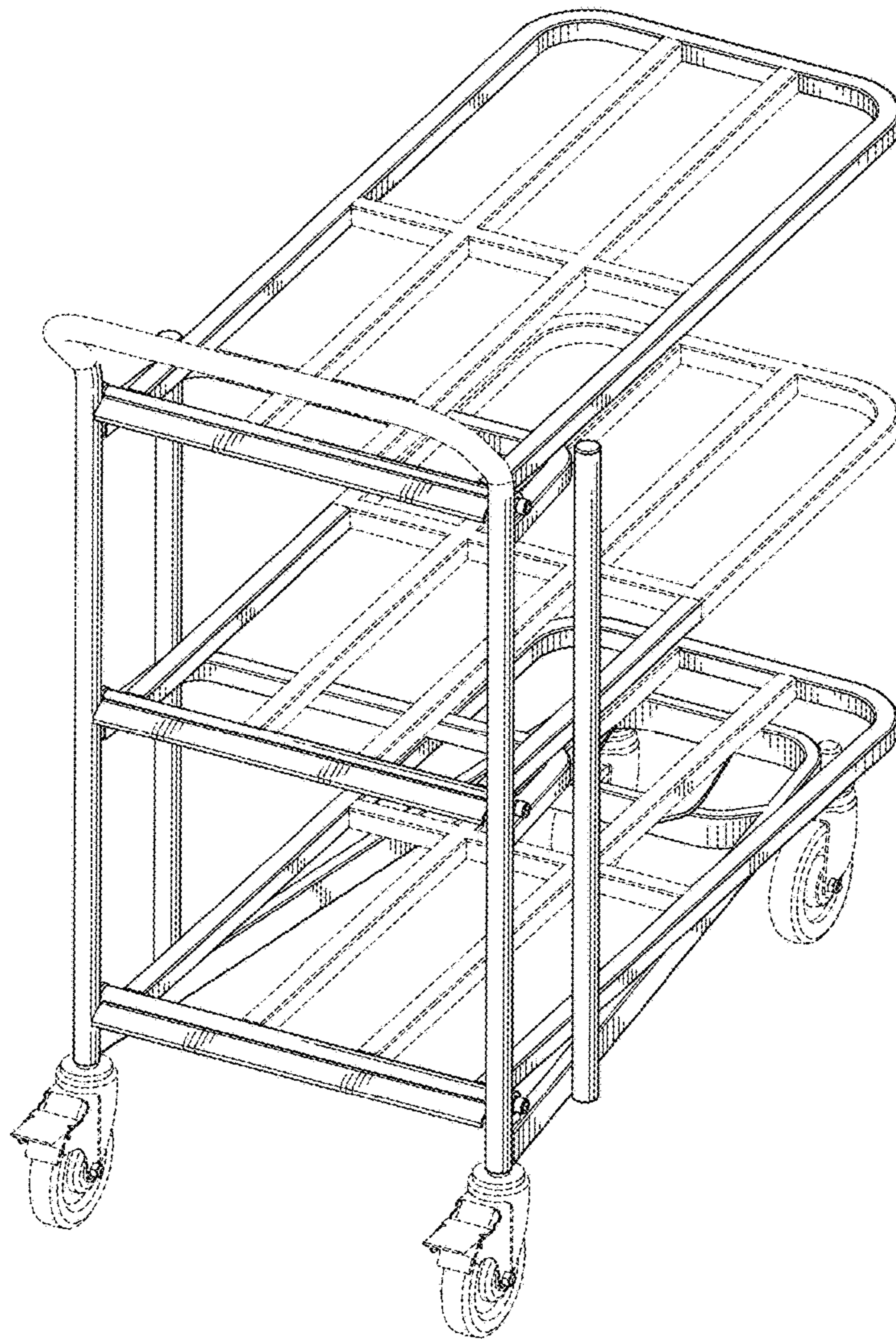


FIG.2

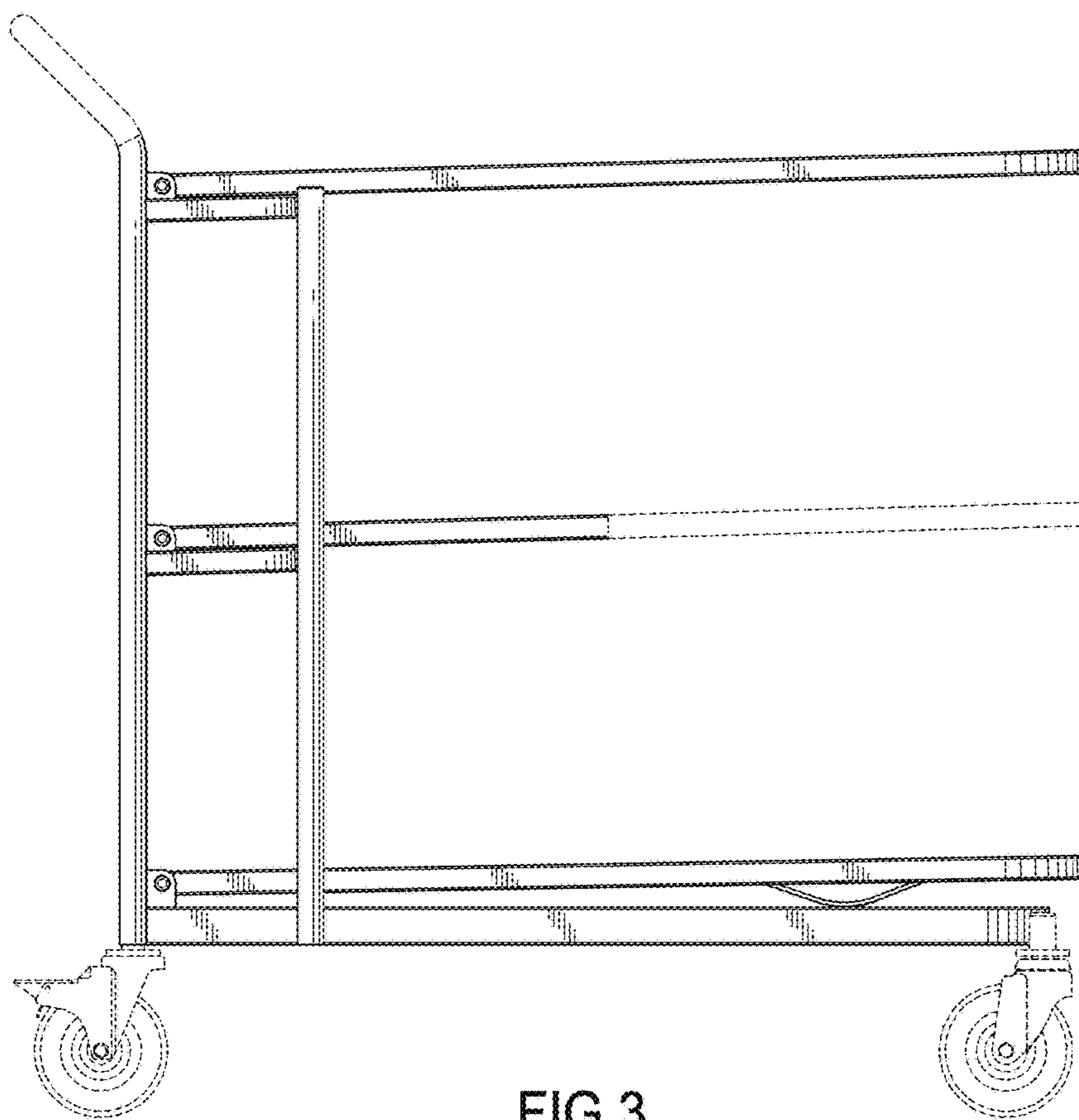


FIG.3

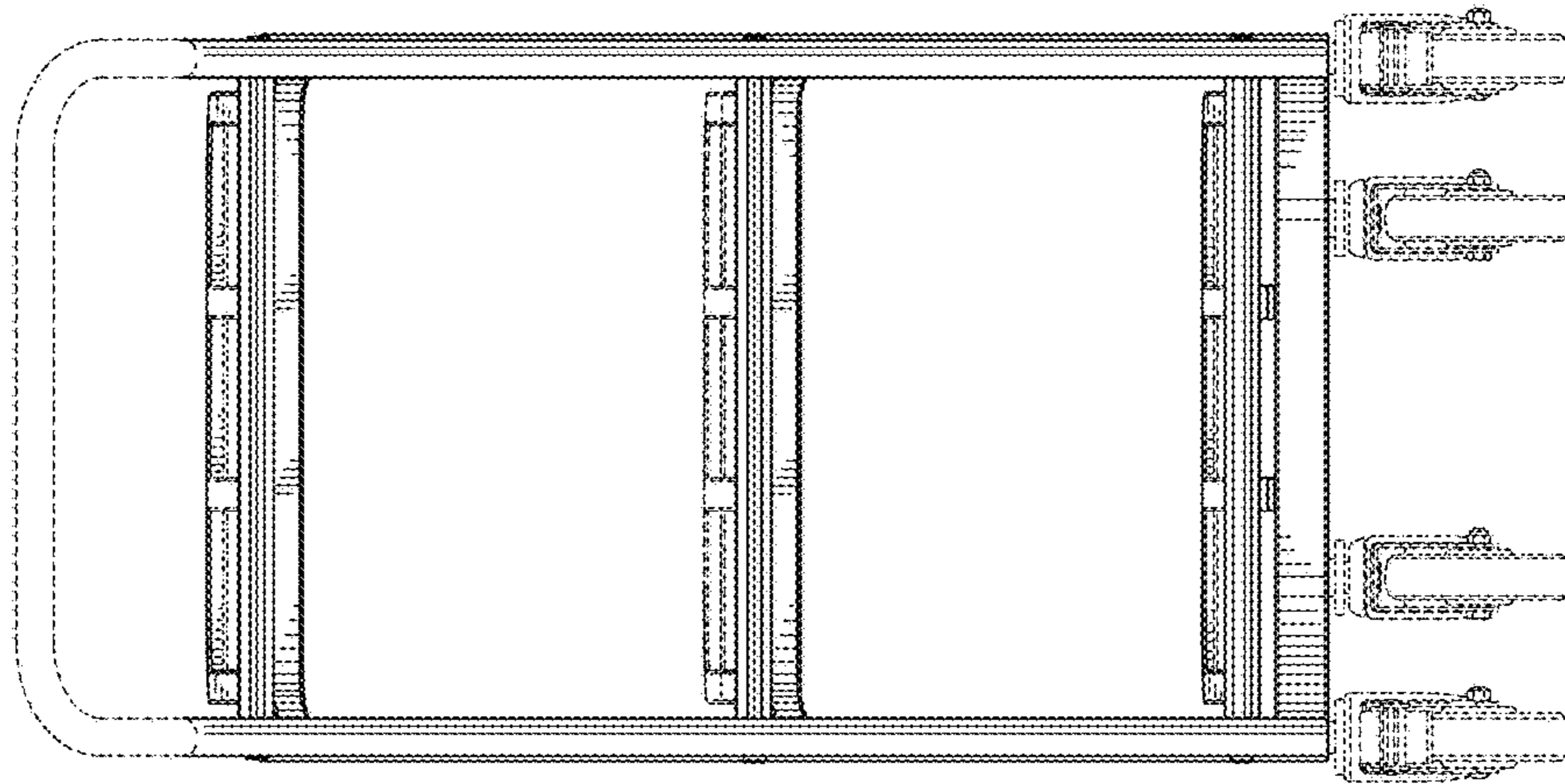


FIG.5

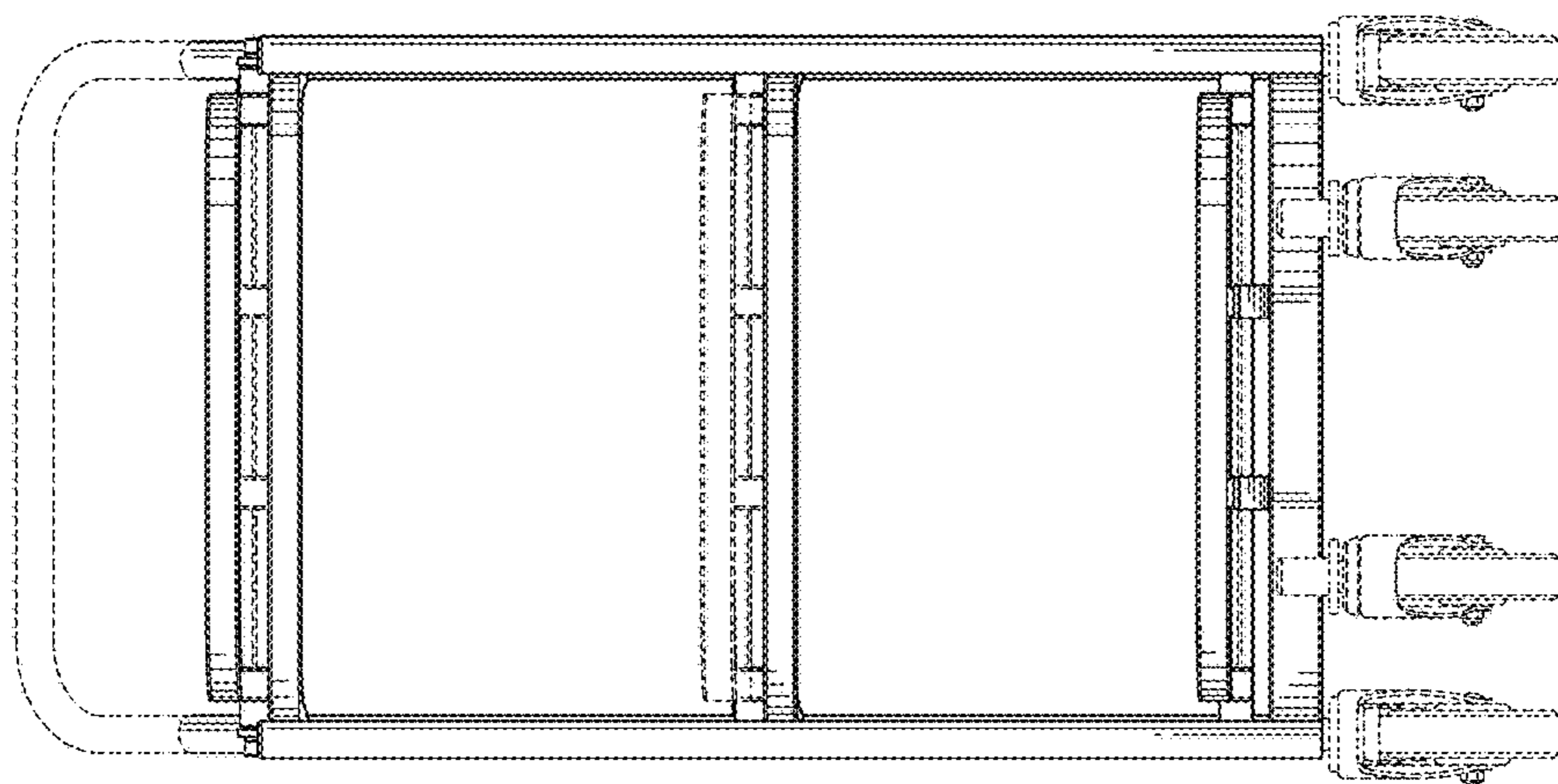


FIG.4

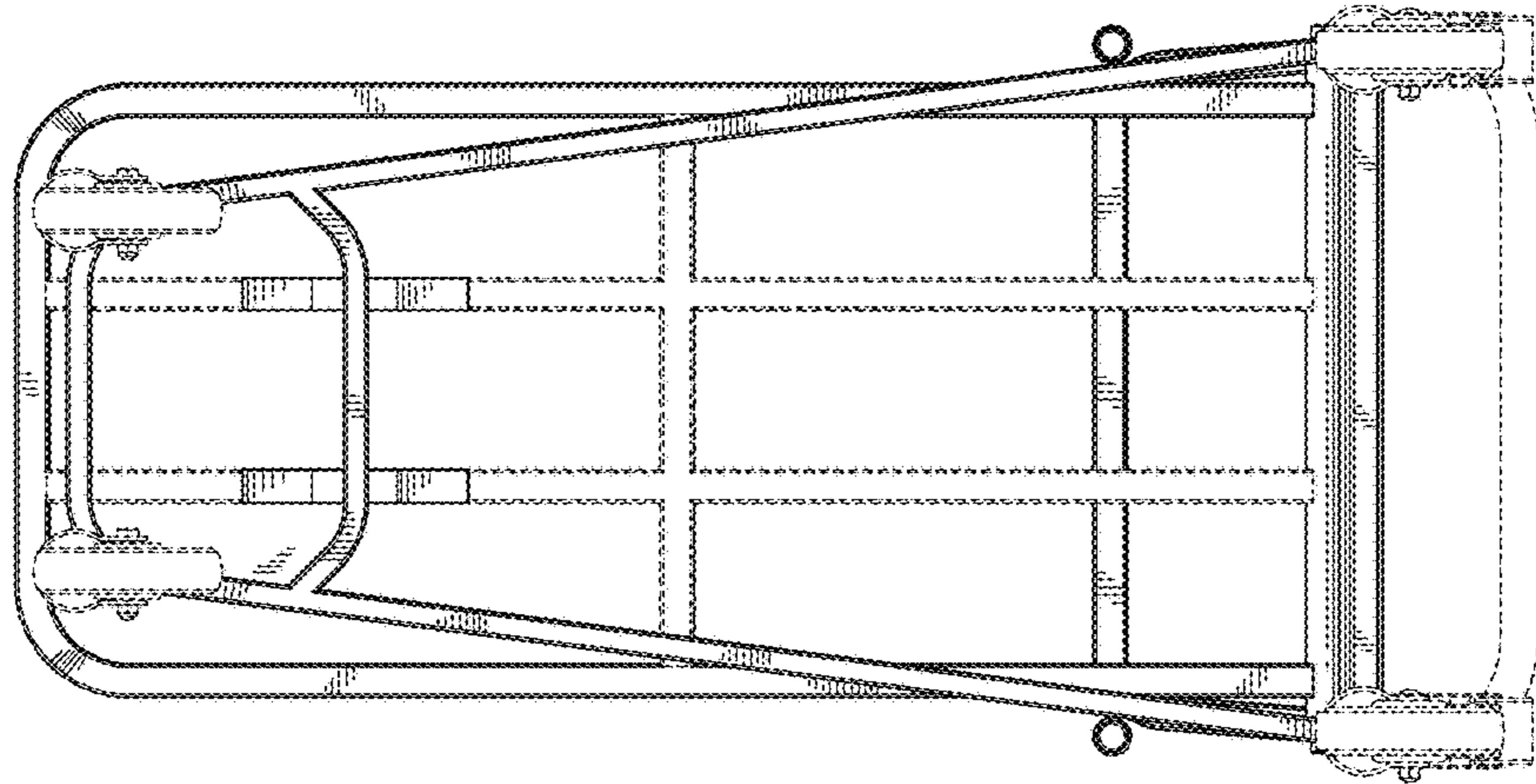


FIG.6

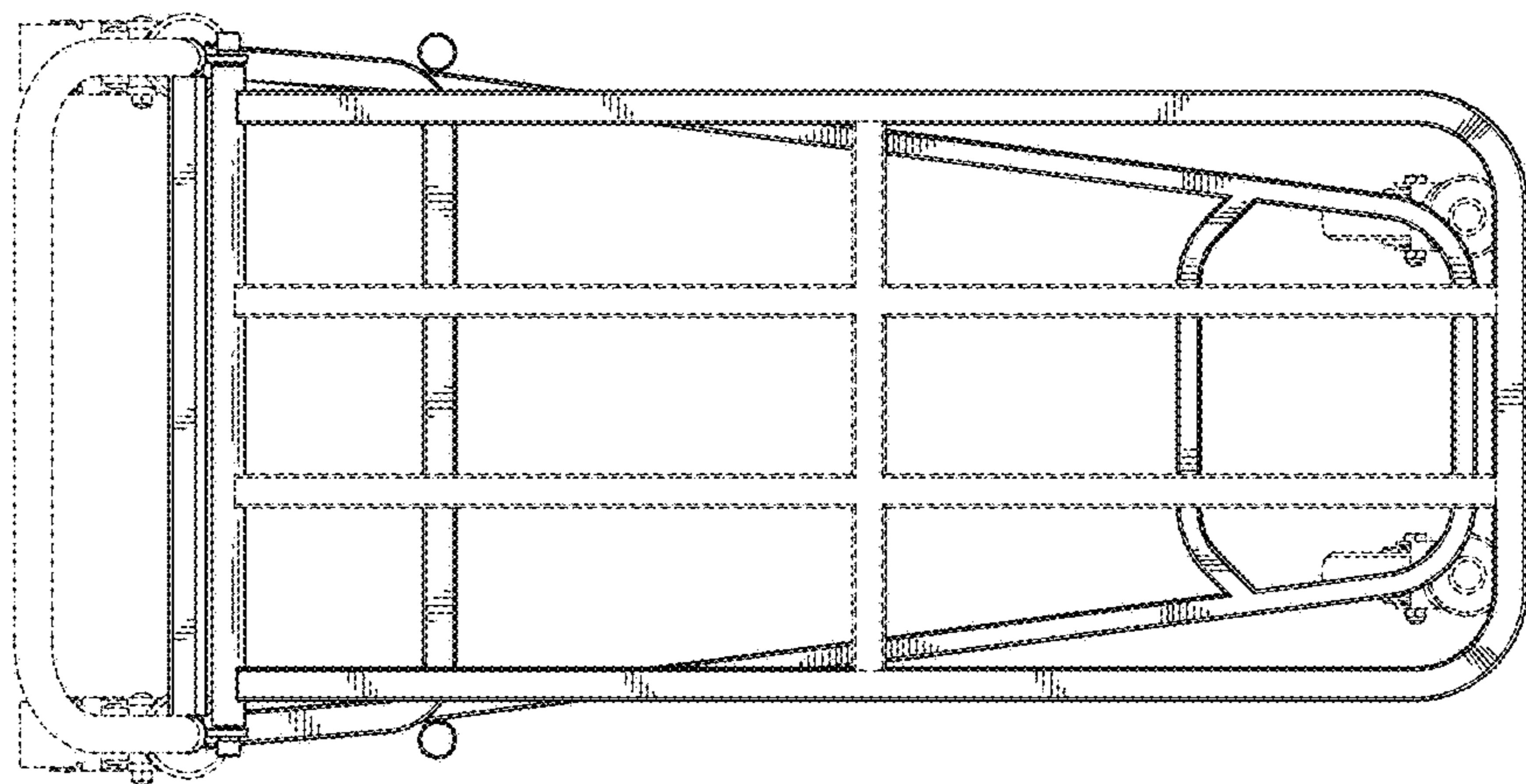


FIG.7

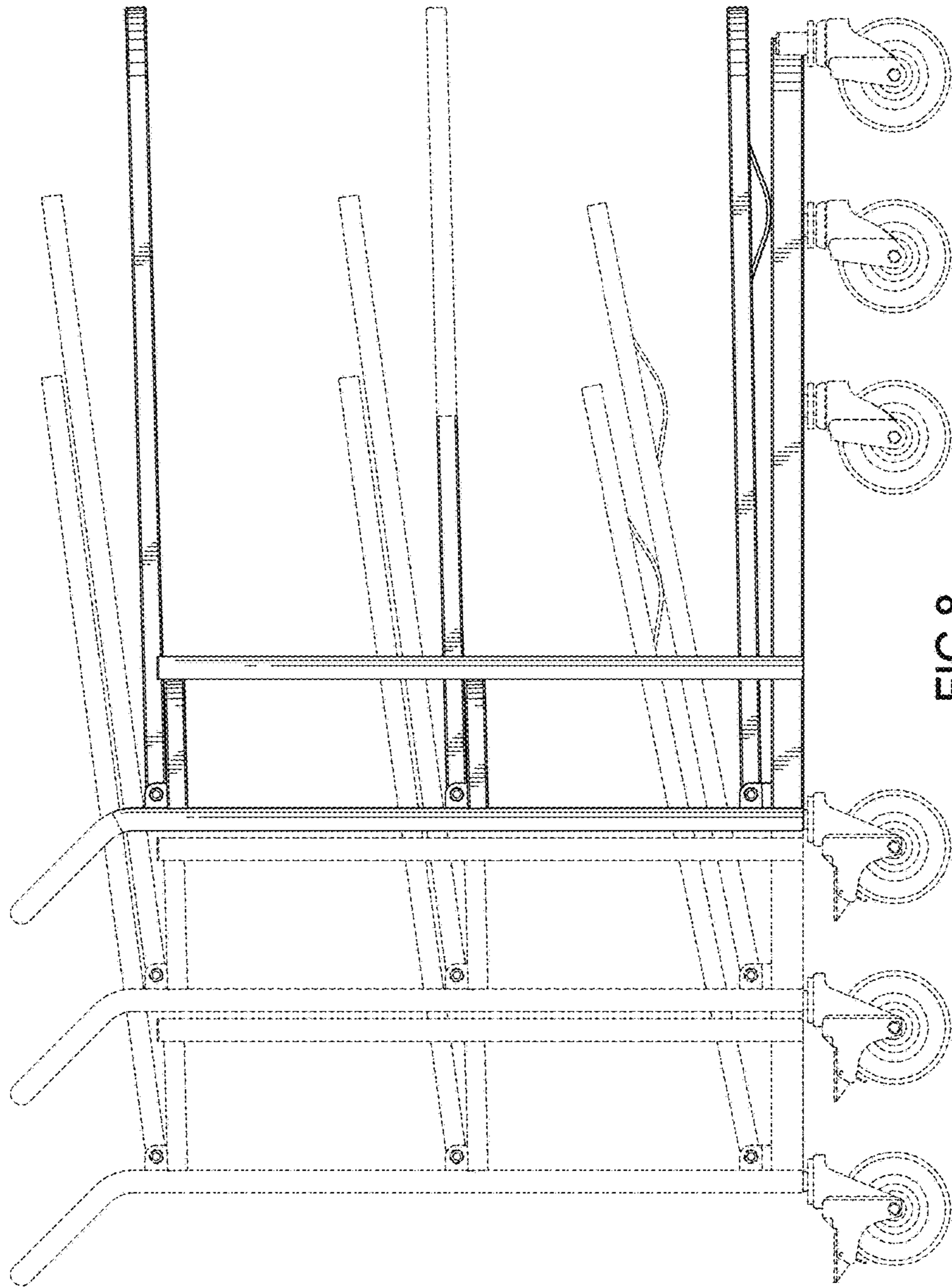


FIG. 8



FIG.9

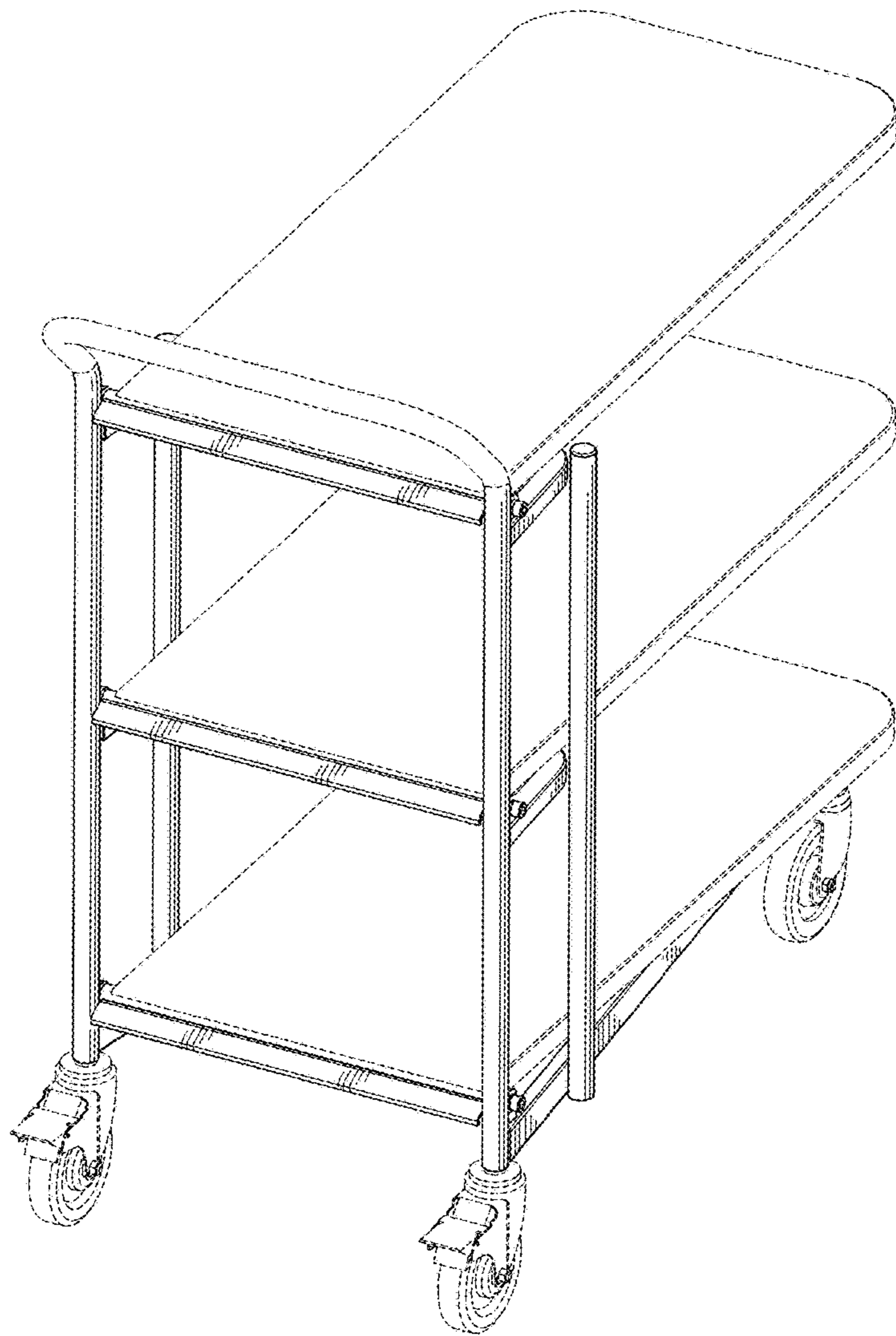


FIG.10

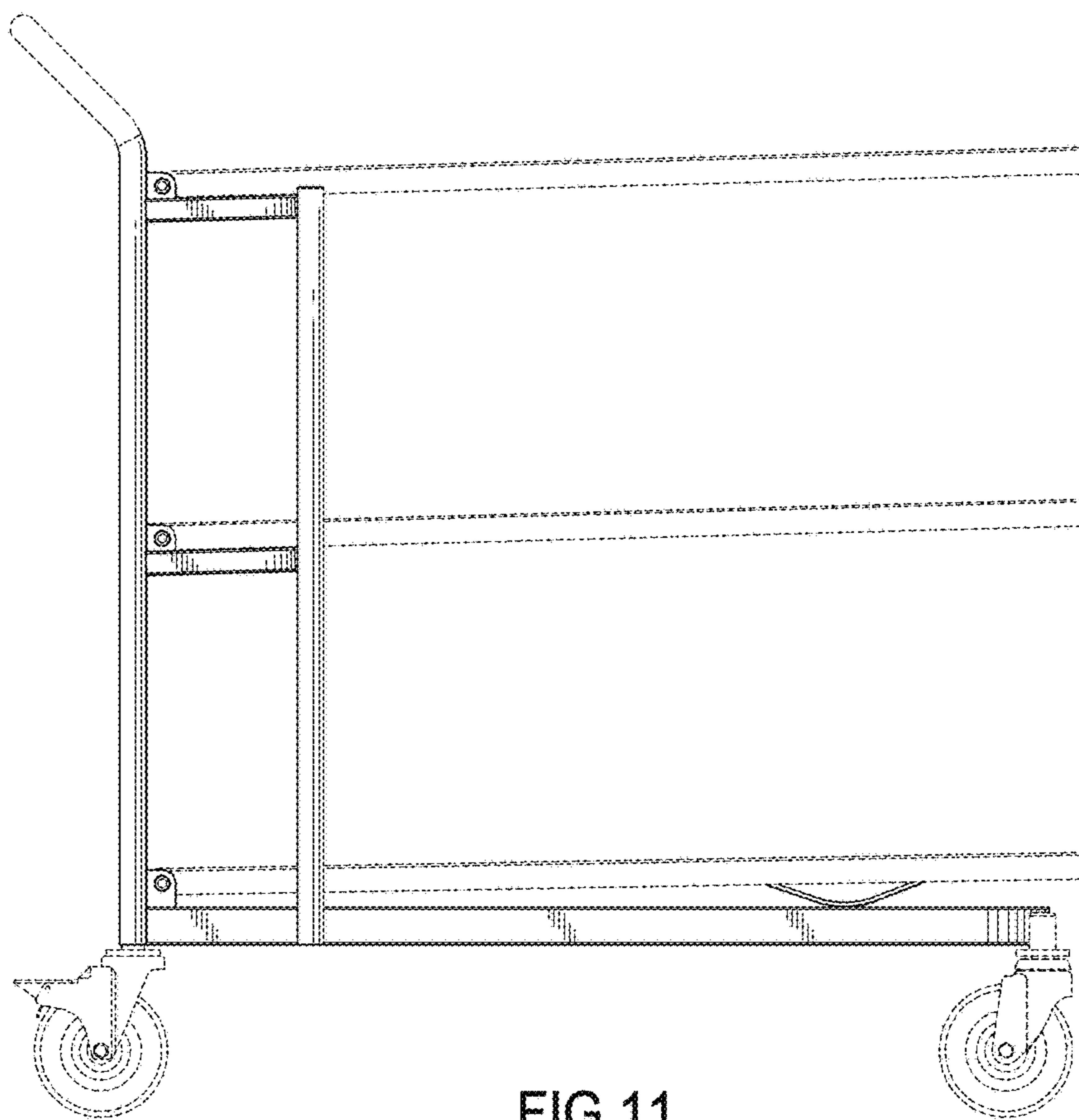


FIG.11

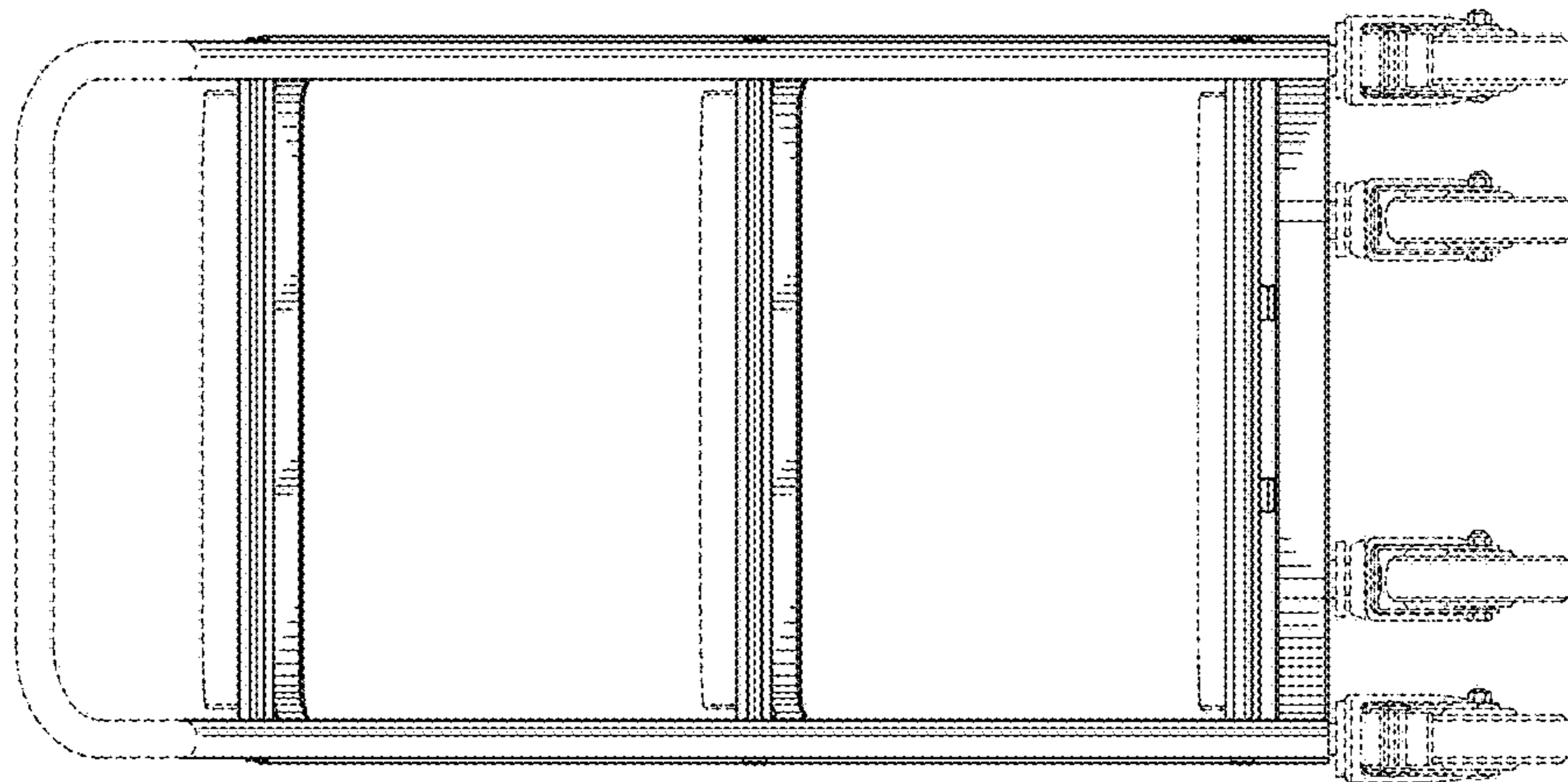


FIG.12

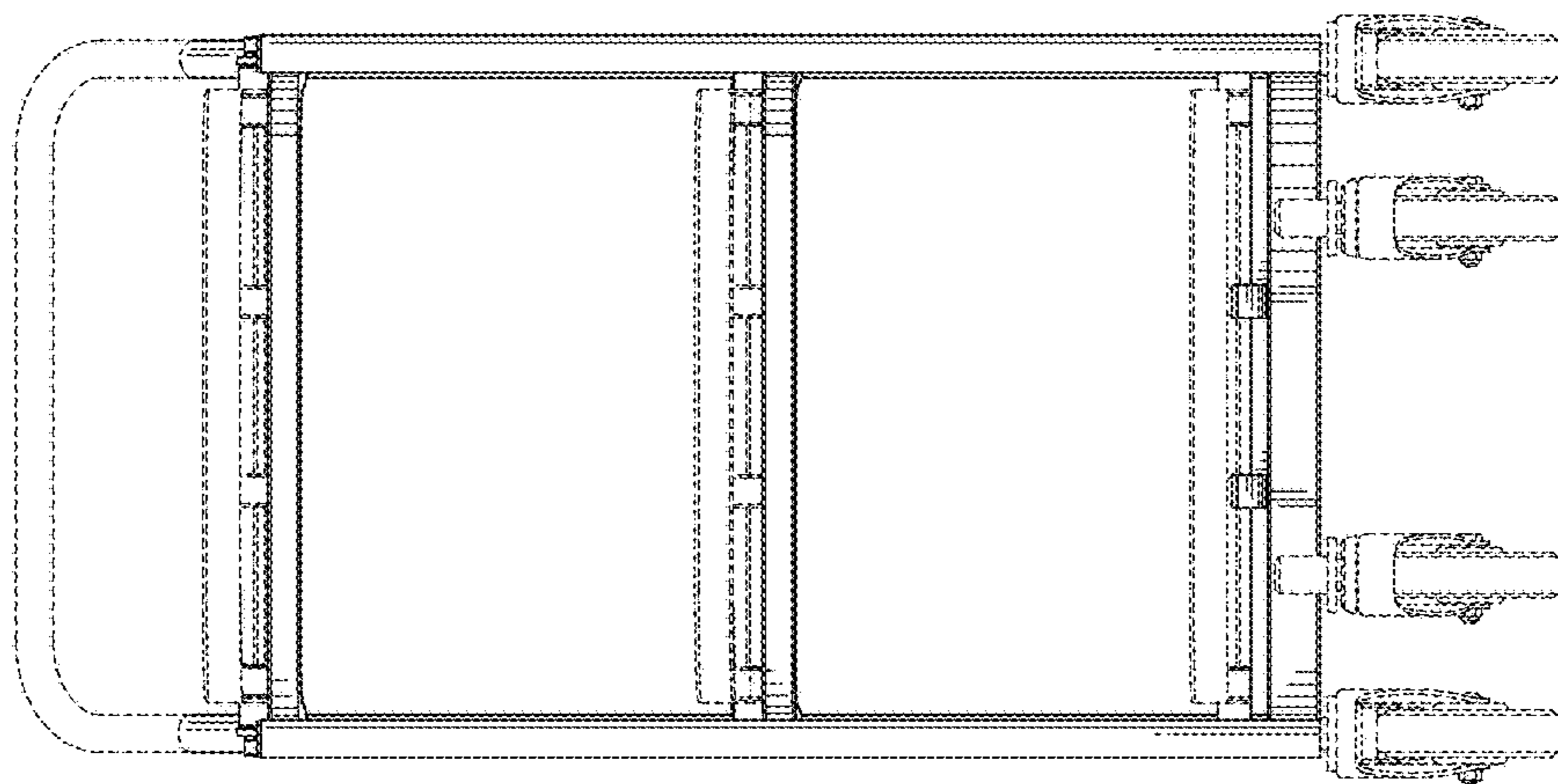


FIG.13

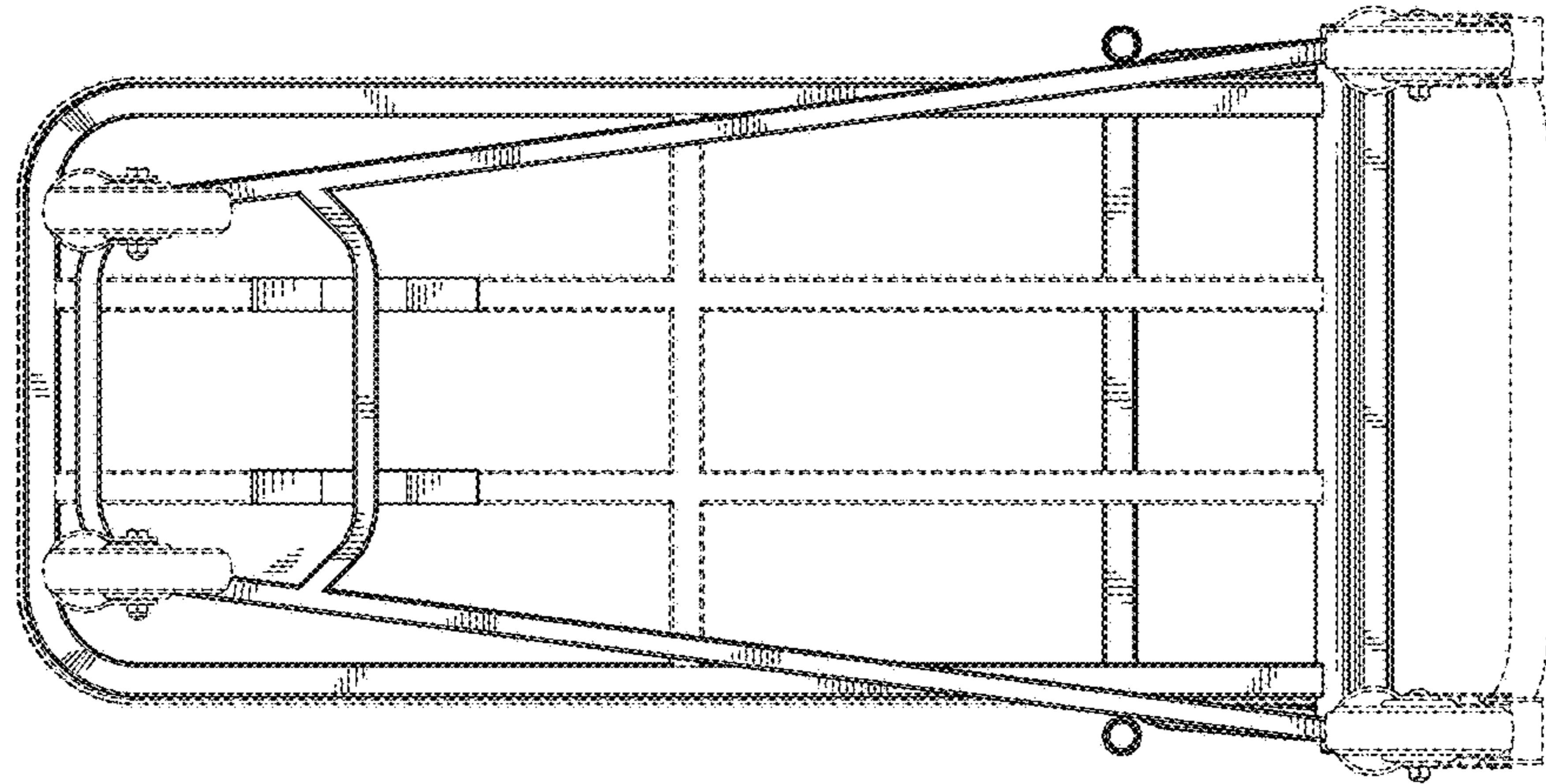


FIG.15

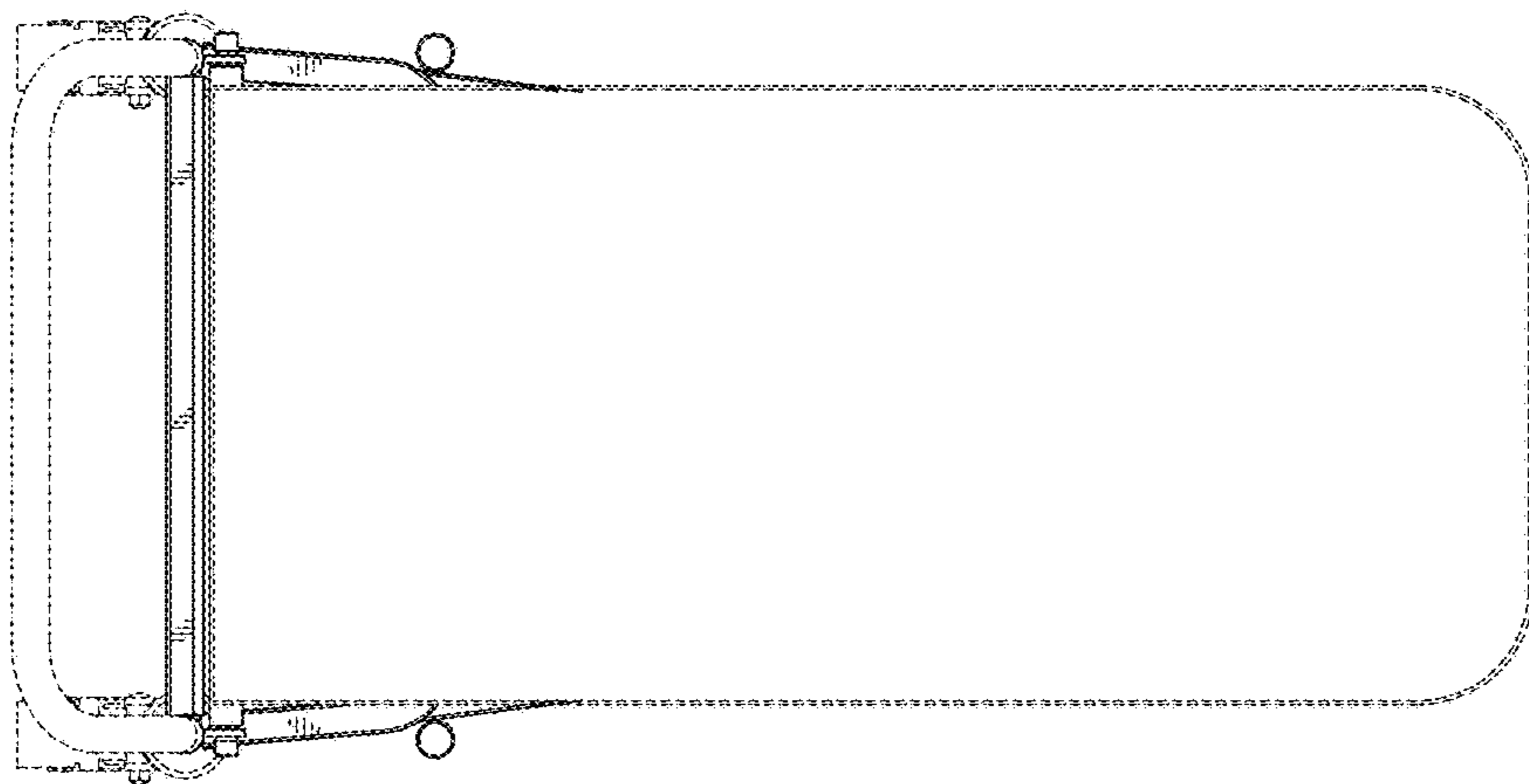


FIG.14