



US00D840126S

(12) **United States Design Patent** (10) **Patent No.:** **US D840,126 S**
Miller (45) **Date of Patent:** **** Feb. 5, 2019**

(54) TRASH CAN	D292,638 S	11/1987	Carville
	4,802,258 A	2/1989	Jensen
(71) Applicant: Incredible Solutions, Inc. , Warren, OH (US)	4,836,394 A	6/1989	Glomski
	4,930,649 A	6/1990	Moser
(72) Inventor: David Miller , Merritt Island, FL (US)	D309,401 S	7/1990	Lombardi
	D323,912 S	2/1992	Delmerico
(73) Assignee: Incredible Solutions, Inc. , Warren, OH (US)	D324,122 S	2/1992	Brussing
	5,088,531 A	2/1992	Wade
(**) Term: 15 Years	5,088,750 A	2/1992	Beese et al.
	5,092,463 A	3/1992	Dees
(21) Appl. No.: 29/599,962	D327,555 S	6/1992	Juergens
	D330,674 S	11/1992	Lyon
	D335,562 S	5/1993	Evans
	D345,837 S	4/1994	Bean
	D351,699 S	10/1994	Temple et al.

(Continued)

(22) Filed: **Apr. 7, 2017**

(51) **LOC (11) Cl.** **09-09**

(52) **U.S. Cl.**
USPC **D34/5**

(58) **Field of Classification Search**
USPC D34/1, 5, 6, 7, 8, 9, 10, 11
CPC .. B65F 1/06; B65F 1/1615; B65F 1/08; B65F
1/163; B65F 1/16
See application file for complete search history.

Primary Examiner — Cynthia Ramirez
(74) *Attorney, Agent, or Firm* — Brian S. Steinberger;
Law Offices of Brian S. Steinberger, P.A.

(57) **CLAIM**

The ornamental design for a trash can, as shown and described.

DESCRIPTION

(56) **References Cited**

U.S. PATENT DOCUMENTS

341,175 A	5/1886	Shaw
686,954 A	11/1901	Riley
1,170,797 A	2/1916	Burroughs
1,174,336 A	3/1916	Menzies
1,212,305 A	1/1917	Worsell
1,748,336 A	2/1930	Finnell
1,847,476 A	3/1932	Fuhr
2,907,491 A	10/1959	Gunn
3,033,414 A	5/1962	Galland
3,121,248 A	2/1964	Ferguson
3,170,183 A	2/1965	Leatherman
3,390,804 A	7/1968	Morgan
4,312,531 A	1/1982	Cross
4,440,321 A	4/1984	Campbell et al.
4,600,113 A	7/1986	Demars
4,659,045 A	4/1987	Flynn

FIG. 1 is an upper front right perspective view of a trash can showing my new design.

FIG. 2 is a lower front left perspective view of the trash can of FIG. 1.

FIG. 3 is an upper rear right perspective view of the trash can of FIG. 1.

FIG. 4 is a lower rear left perspective view of the trash can of FIG. 1.

FIG. 5 is a front view of the trash can of FIG. 1.

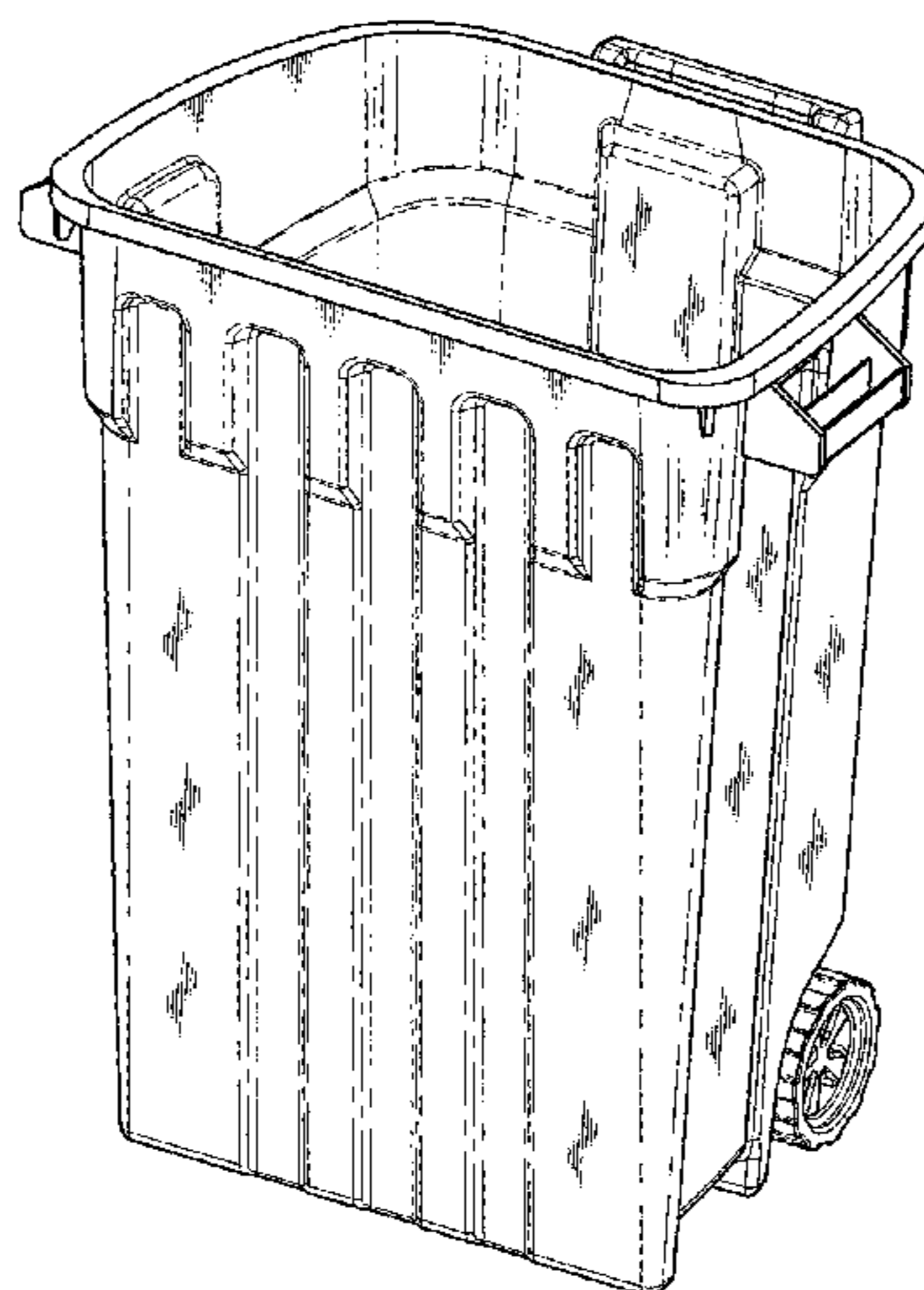
FIG. 6 is a rear view of the trash can of FIG. 1.

FIG. 7 is a right side view of the trash can of FIG. 1.

FIG. 8 is a left side view of the trash can of FIG. 1.

FIG. 9 is a top view of the trash can of FIG. 1; and, FIG. 10 is a bottom view of the trash can of FIG. 1.

1 Claim, 9 Drawing Sheets



(56)

References Cited

U.S. PATENT DOCUMENTS

D351,705 S	10/1994	Bird et al.	D455,228 S	4/2002	Hsu	
D355,514 S	2/1995	Breen	6,390,495 B1	5/2002	Cates	
D355,741 S	2/1995	Craft et al.	D461,291 S	8/2002	Kaminski et al.	
D355,744 S	2/1995	Licari	D462,838 S	9/2002	Van Landingham	
D362,525 S	9/1995	Kruger	6,520,554 B2	2/2003	Ditzik	
D362,932 S	10/1995	Brightbill et al.	D471,685 S	3/2003	Taylor et al.	
D365,428 S	12/1995	Prout et al.	D476,125 S	6/2003	Chen	
5,535,910 A	7/1996	Cassel	D478,197 S	8/2003	Raghunathan	
5,535,913 A	7/1996	Asbach et al.	6,698,058 B2	3/2004	Cann	
5,547,104 A	8/1996	Parker	D491,328 S	6/2004	Aiken et al.	
5,560,512 A	10/1996	Hahn	D509,335 S	9/2005	Tuduri	
D376,235 S	12/1996	Presnell	D520,702 S	5/2006	Miller	
5,582,322 A	12/1996	Prout et al.	D533,702 S *	12/2006	Messier	D34/7
5,611,450 A	3/1997	Demars	7,185,783 B1	3/2007	Miller	
5,624,050 A	4/1997	Haas	D542,000 S	5/2007	Miller	
5,641,090 A	6/1997	Kowalski et al.	D575,020 S	8/2008	Miller	
5,655,680 A	8/1997	Asbach et al.	D577,170 S *	9/2008	Meers	D34/5
D386,866 S	11/1997	Craft et al.	7,469,798 B1	12/2008	Miller	
D388,577 S	12/1997	Rehrig et al.	D594,169 S *	6/2009	Connor	D34/5
5,758,888 A	6/1998	Burgan et al.	D641,121 S *	7/2011	Rampton	D34/1
5,785,369 A	7/1998	Ridley, Sr. et al.	8,152,019 B1	4/2012	Miller	
D398,120 S	9/1998	Rehrig et al.	8,523,007 B2	9/2013	Miller	
6,036,204 A	3/2000	Craft et al.	D707,907 S *	6/2014	Nolet	D34/5
D431,699 S	10/2000	Sofy	D724,287 S *	3/2015	Greene	D34/5
6,244,458 B1	6/2001	Frysinger et al.	D789,012 S *	6/2017	Labrecque	D34/5
6,318,588 B1	11/2001	Lichtenwalner	2001/0045371 A1	11/2001	Ordonez	
			2002/0003144 A1	1/2002	Grimes	
			2004/0020928 A1	2/2004	Lin	

* cited by examiner

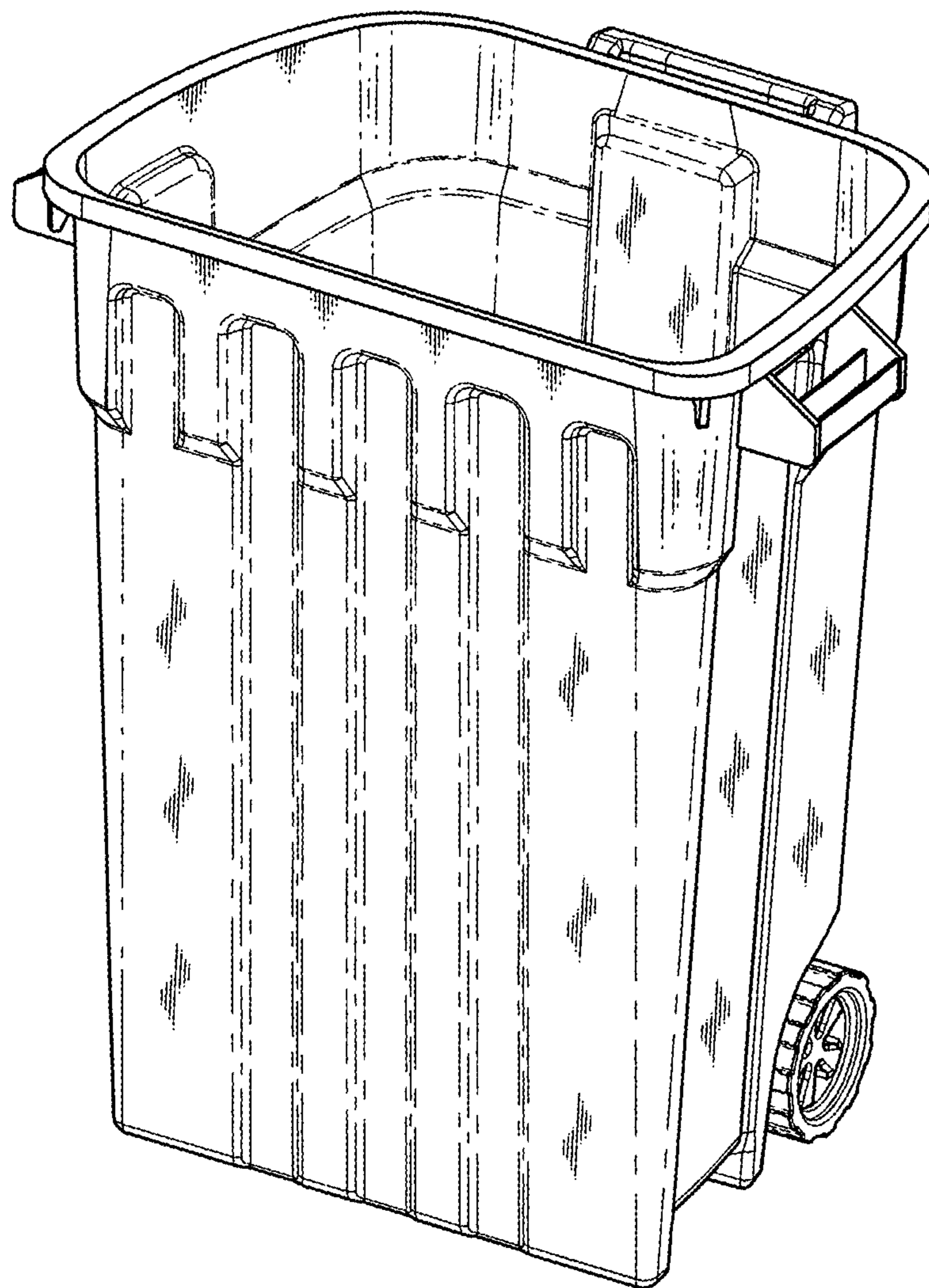


FIG. 1

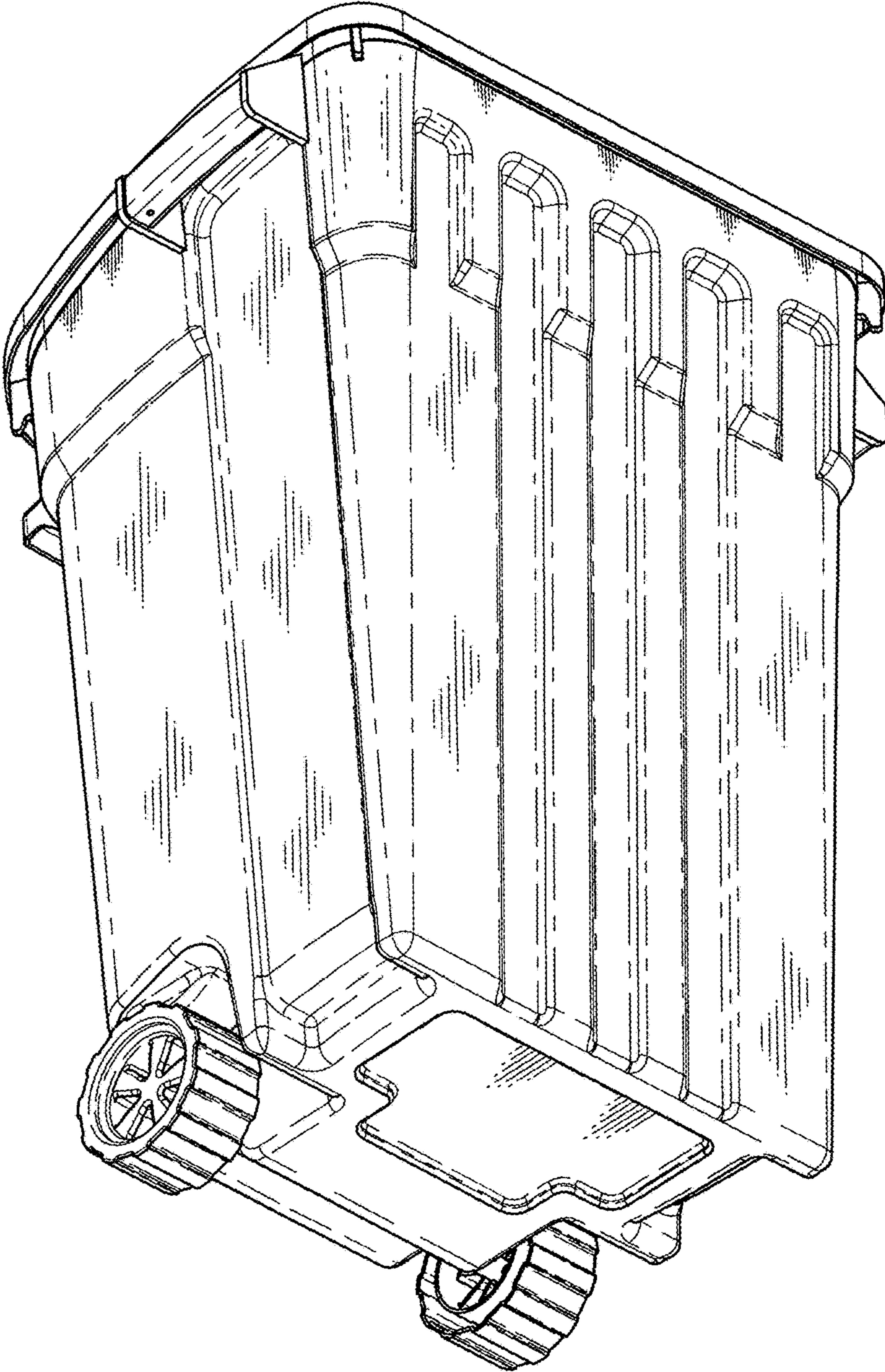


FIG. 2

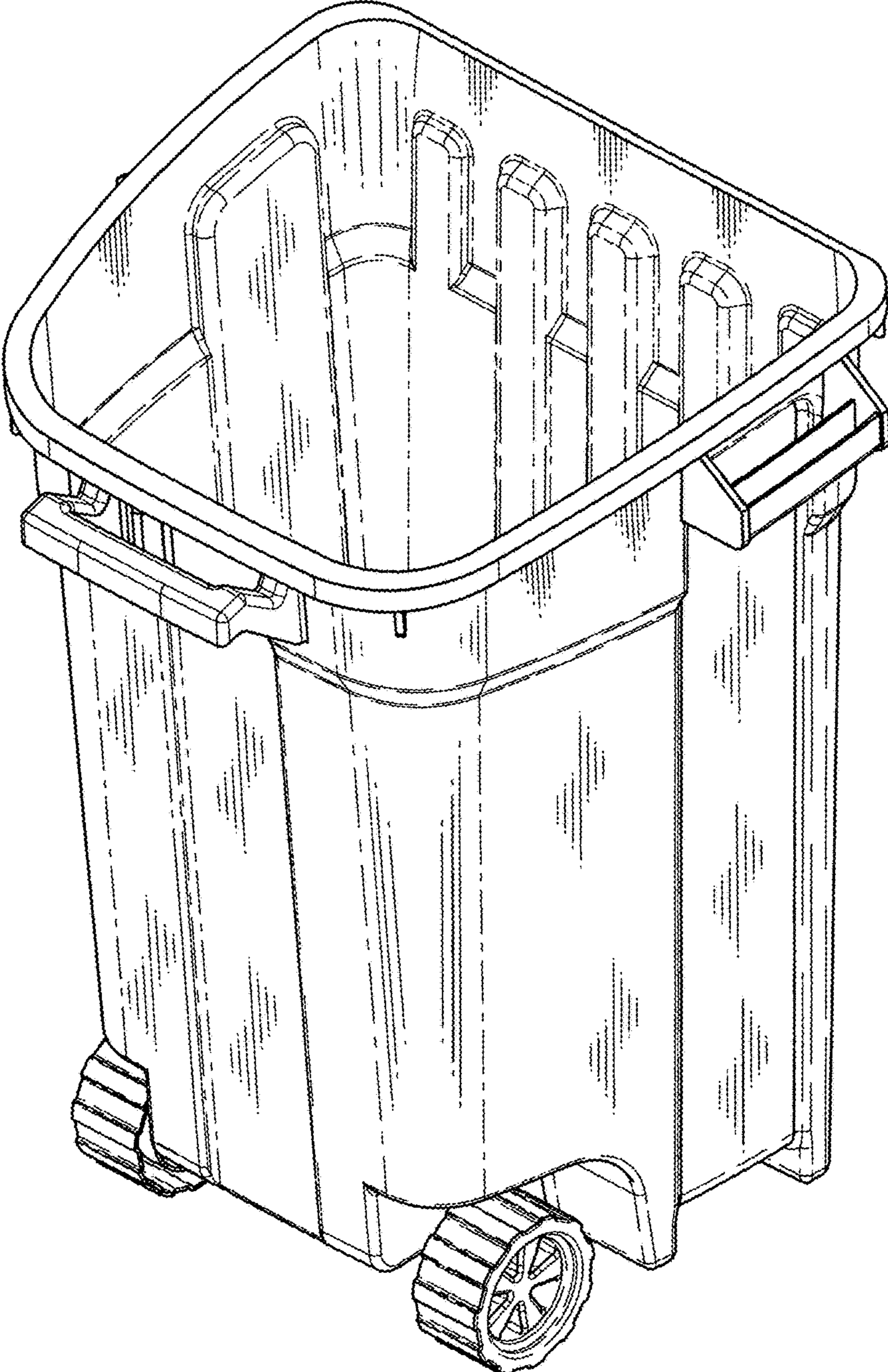


FIG. 3

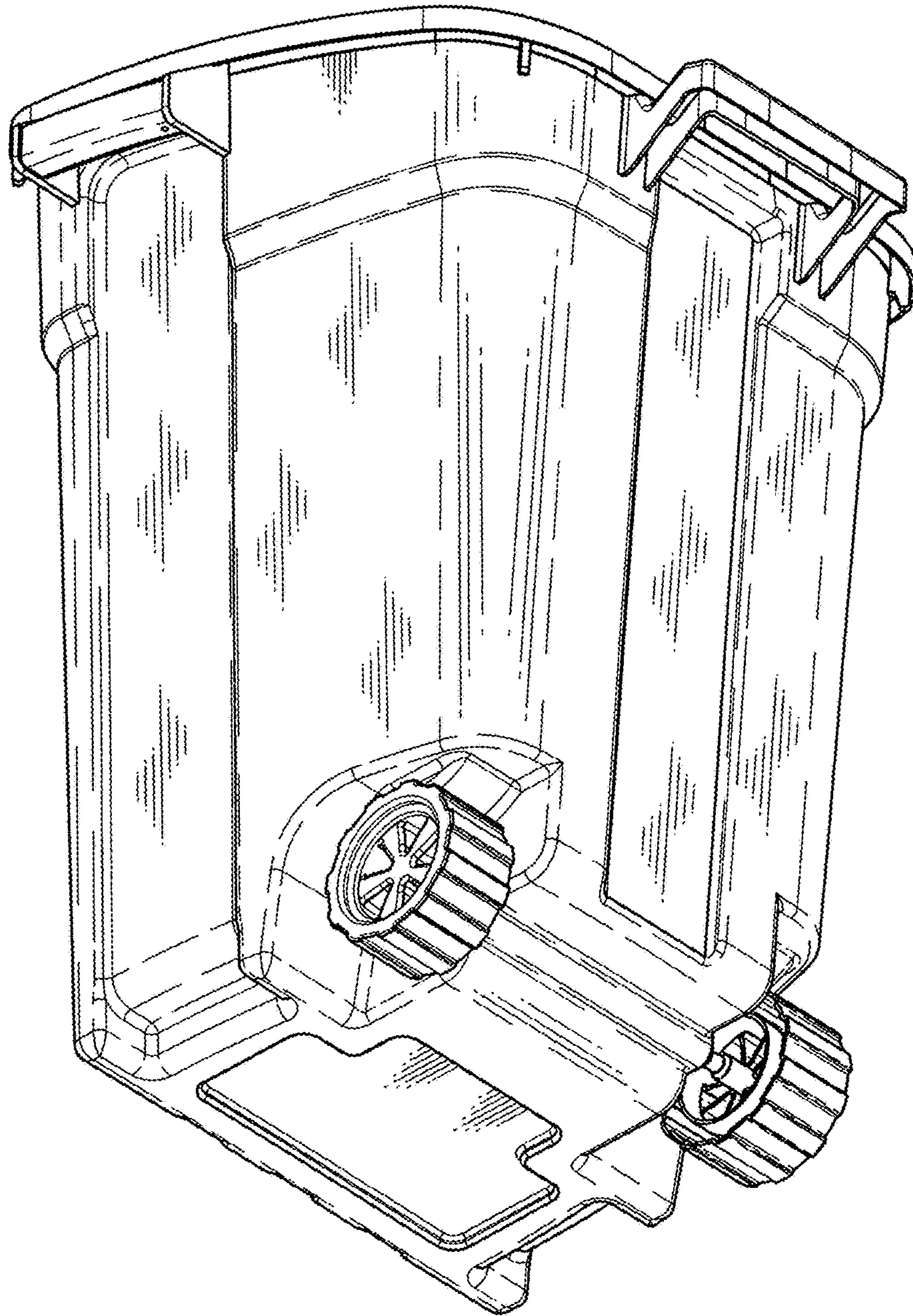


FIG. 4

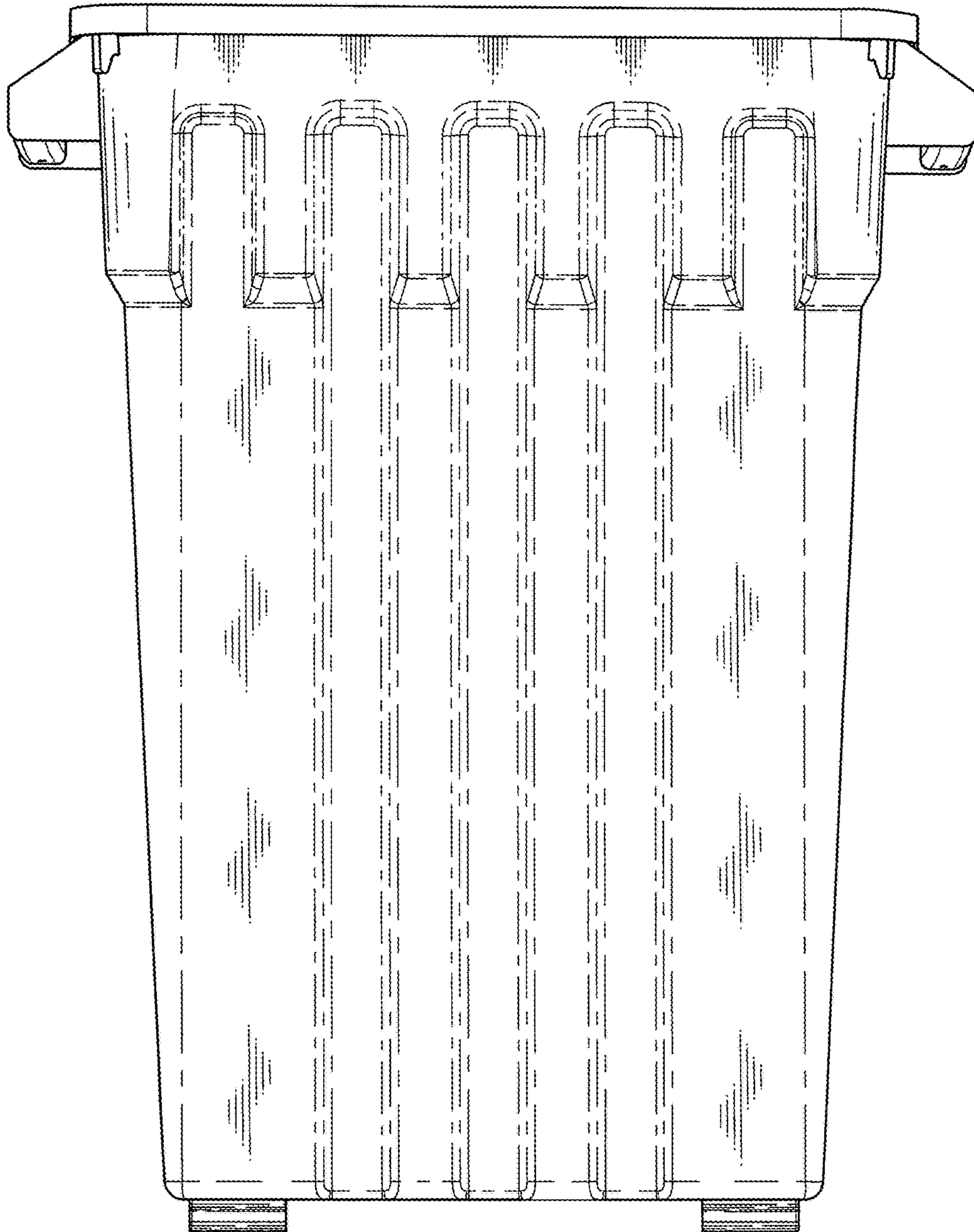


FIG. 5

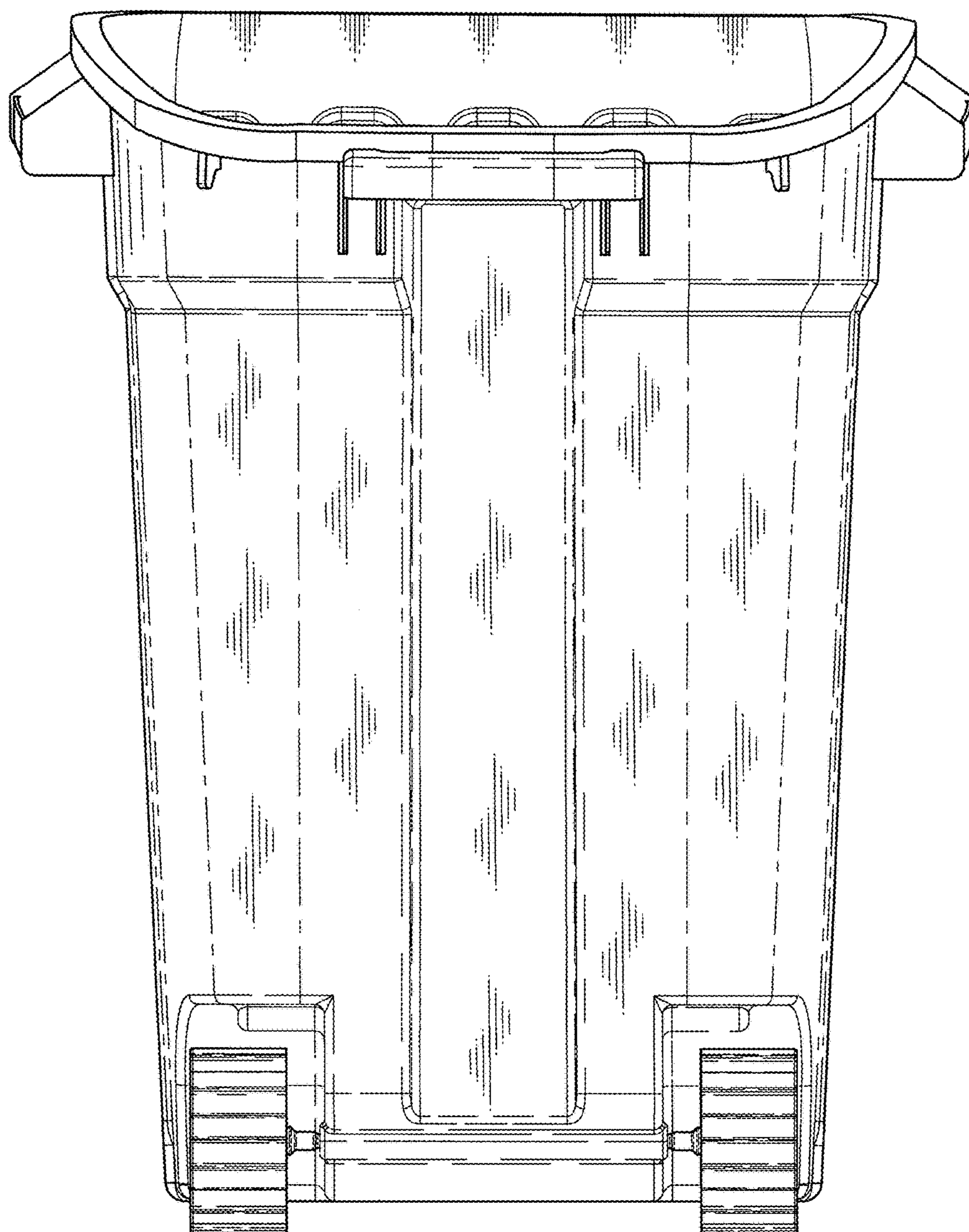


FIG. 6

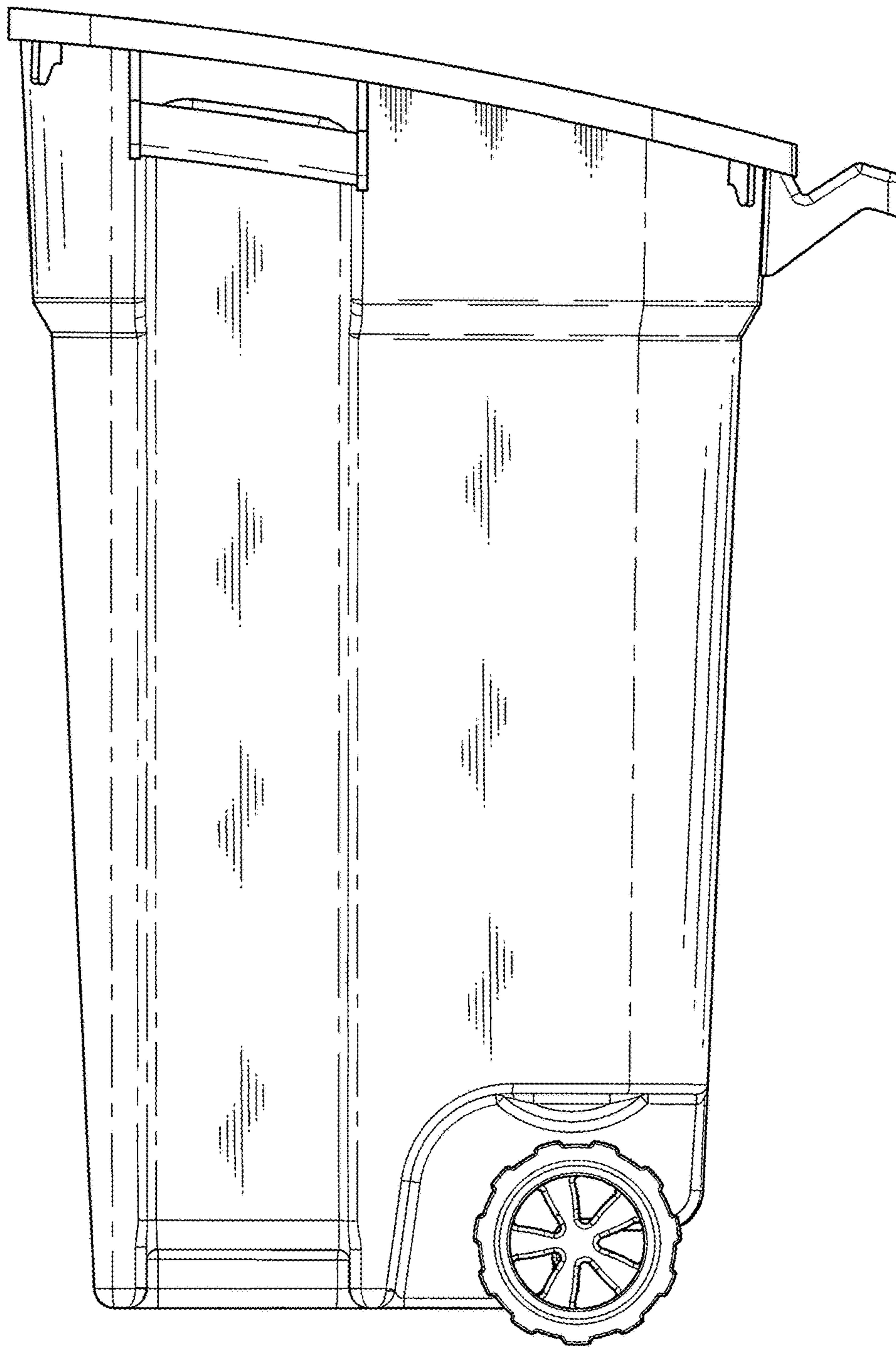


FIG. 7

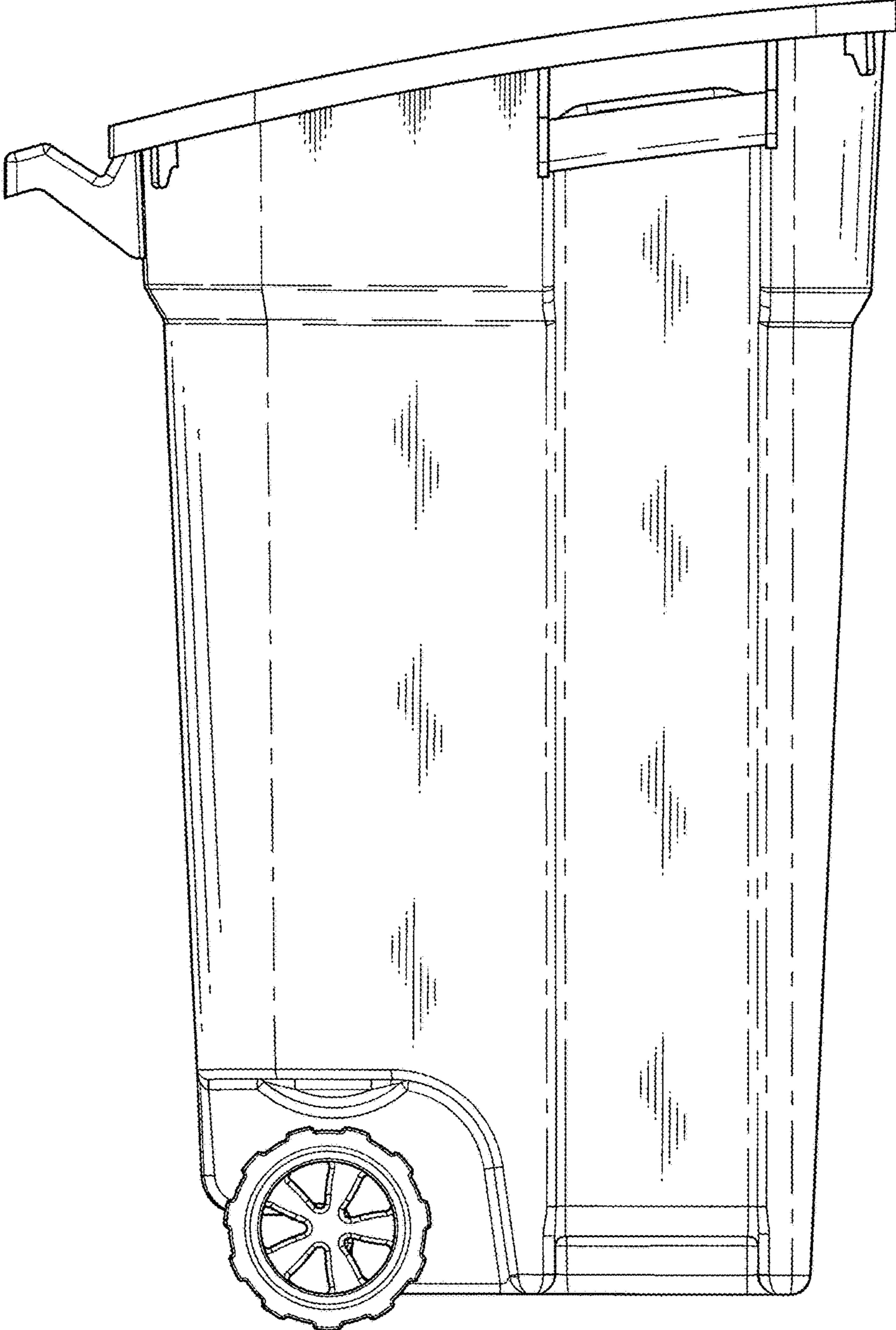


FIG. 8

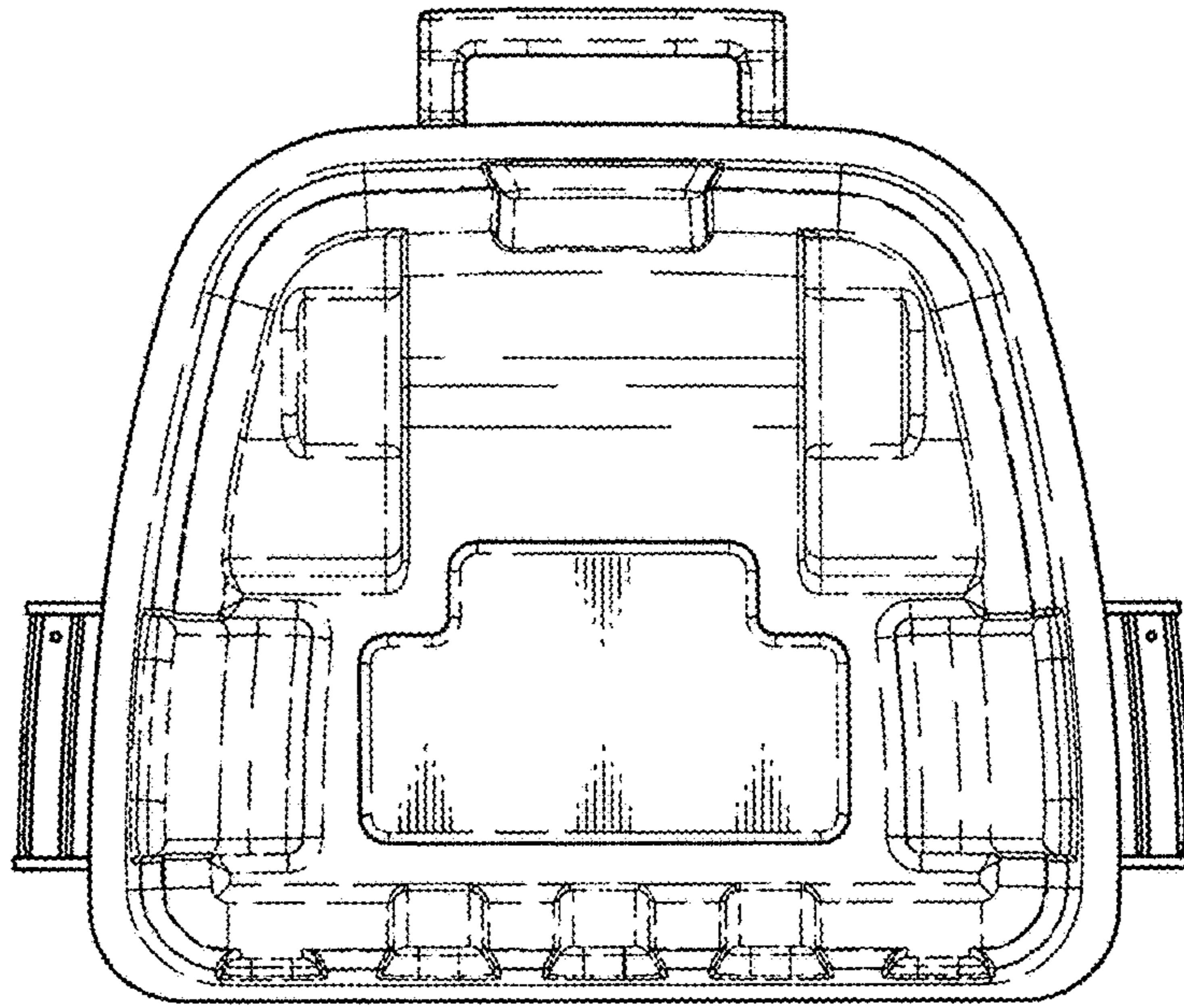


FIG. 9

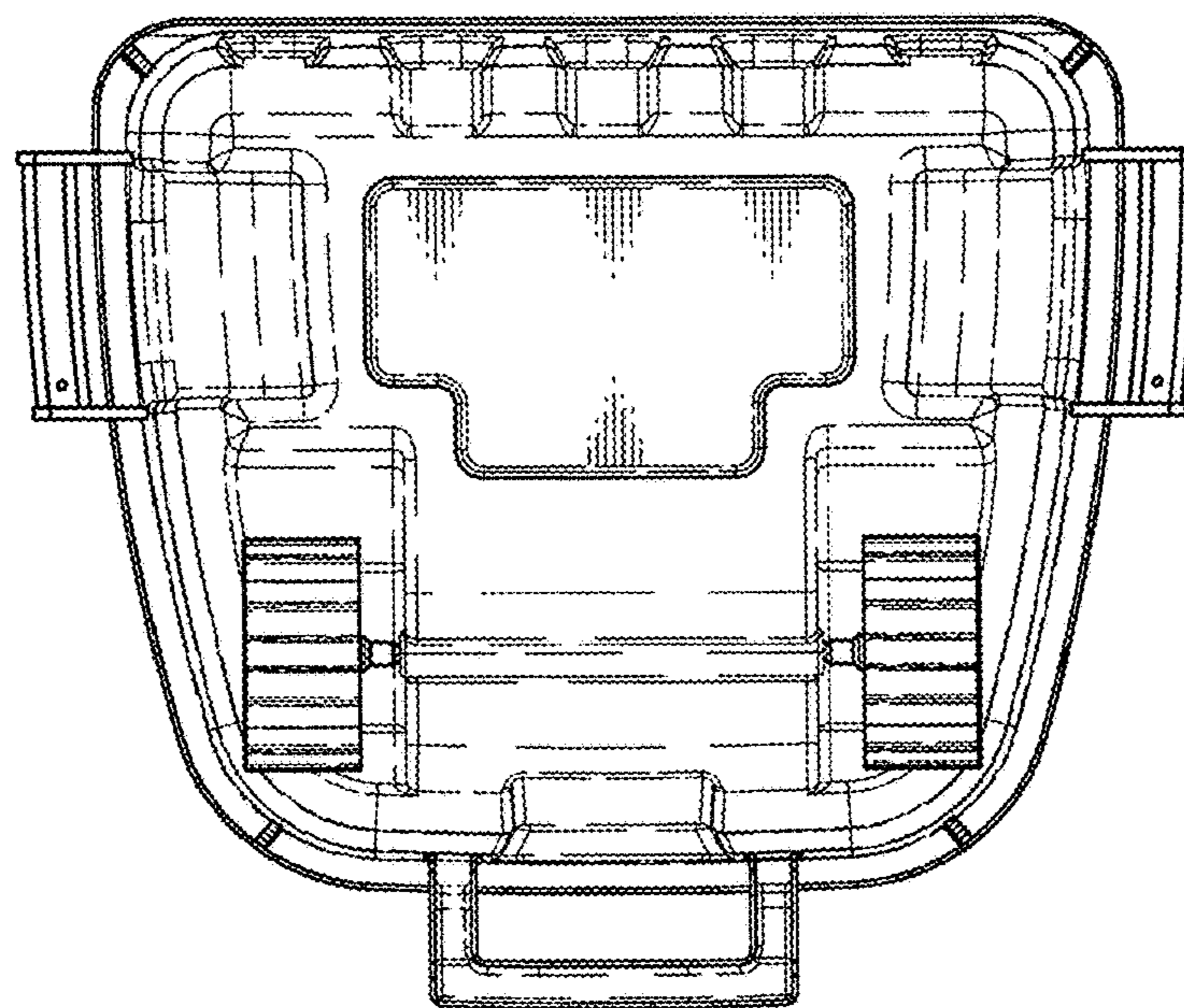


FIG. 10