

US00D840125S

(12) **United States Design Patent**
Weliver

(10) **Patent No.:** **US D840,125 S**

(45) **Date of Patent:** **** Feb. 5, 2019**

(54) **COMBINATION MOP AND BROOM**

(71) Applicant: **Michael O. Weliver**, Crawfordsville,
IN (US)

(72) Inventor: **Michael O. Weliver**, Crawfordsville,
IN (US)

(**) Term: **15 Years**

(21) Appl. No.: **29/617,188**

(22) Filed: **Sep. 12, 2017**

(51) **LOC (11) Cl.** **07-05**

(52) **U.S. Cl.**
USPC **D32/50**

(58) **Field of Classification Search**
USPC .. D32/50-53, 40, 45, 17-18, 21-22, 24-25;
D4/130-132, 134-135, 138, 199
CPC A47L 13/52; A47L 13/12; A47L 13/00;
A47L 13/20; A47L 13/24; A47L 13/22;
A46B 7/04; A46B 7/06; A46B 5/00;
B43M 11/02
See application file for complete search history.

(56) **References Cited**

U.S. PATENT DOCUMENTS

- 399,223 A 3/1889 Varney
- 583,343 A * 5/1897 Taylor A47L 13/20
15/229.1
- 732,743 A 7/1903 Held
- 949,664 A 2/1910 Schweizer
- 981,756 A 1/1911 Glancey
- 1,150,957 A * 8/1915 Nelson A47L 13/20
15/229.1
- 1,387,644 A * 8/1921 Fischer, Jr. A47L 13/24
15/147.1
- 1,609,157 A * 11/1926 Crater A47L 13/24
15/229.1
- 1,700,136 A * 1/1929 Leidgen A47L 13/142
15/120.2
- 1,711,242 A * 4/1929 Morris A47L 13/24
15/229.2

- 1,888,986 A * 11/1932 Hertzberg A47L 13/20
15/120.2
 - 1,933,802 A * 11/1933 Hertzberg A47L 13/24
15/229.1
 - 2,020,187 A * 11/1935 Jayne A47L 13/24
15/145
 - 2,492,232 A * 12/1949 Martin A47L 13/24
15/152
 - 2,653,337 A 9/1953 Bathurst
 - 2,694,824 A 11/1954 Kalinowski
 - 2,967,317 A 1/1961 Richards
 - 3,021,547 A * 2/1962 Henson B25G 3/00
15/145
 - 4,995,134 A * 2/1991 Monahan A47L 13/258
15/105
 - 5,336,012 A 8/1994 Newville
 - D391,714 S * 3/1998 Kilander D32/42
- (Continued)

OTHER PUBLICATIONS

BettyMills: Mop and Handle Combination, Rubbermaid, website
2018, visited Aug. 6, 2018, https://www.bettymills.com/...-combination-rubbermaid-commercial-rcpg04204?utm_source=cpc_strat&utm_medium=cpc&utm_campaign=parts&utm_keyword=RCPG042-04&utm_content=Jansan&gclid=Cj0KCQjw45_bBRD_ARIsAJ6wUXSnr_lufeM0F4jYY5E0Rag9tWx8.*

Primary Examiner — John Windmuller

Assistant Examiner — John R Yeh

(74) *Attorney, Agent, or Firm* — Miller & Hurley

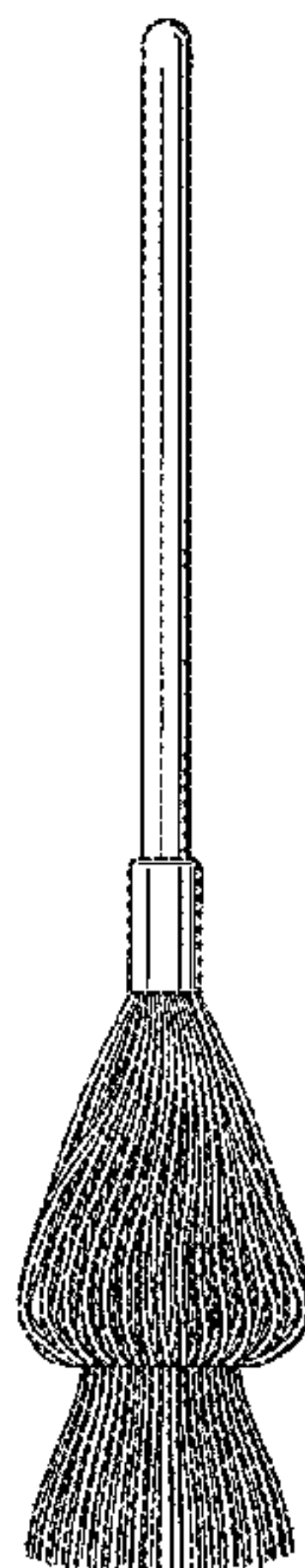
(57) **CLAIM**

The ornamental design for a combination mop and broom,
as shown and described.

DESCRIPTION

FIG. 1 is a front elevation view of my design for a combi-
nation mop and broom; the left, right, and rear elevations
being mirror images thereof;
FIG. 2 is a top view thereof; and,
FIG. 3 is a bottom view thereof.

1 Claim, 1 Drawing Sheet



(56)

References Cited

U.S. PATENT DOCUMENTS

5,848,451 A 12/1998 Barnett
6,131,233 A * 10/2000 Bolton A47L 13/20
15/147.1
6,772,468 B1 * 8/2004 Psik A47L 13/24
15/147.1
D496,509 S * 9/2004 Petner D32/42
6,836,921 B1 * 1/2005 Petner A47L 13/24
15/115
7,124,464 B2 10/2006 Williams et al.
D562,010 S * 2/2008 Goulet D4/199
9,615,717 B2 * 4/2017 Zhu A47L 13/14
2016/0256029 A1 9/2016 Weaver et al.

* cited by examiner

FIG. 1

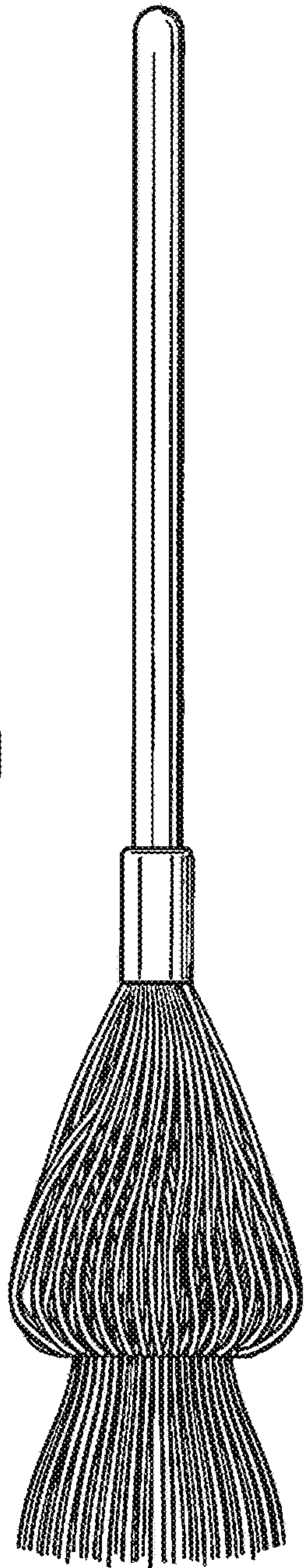


FIG. 2

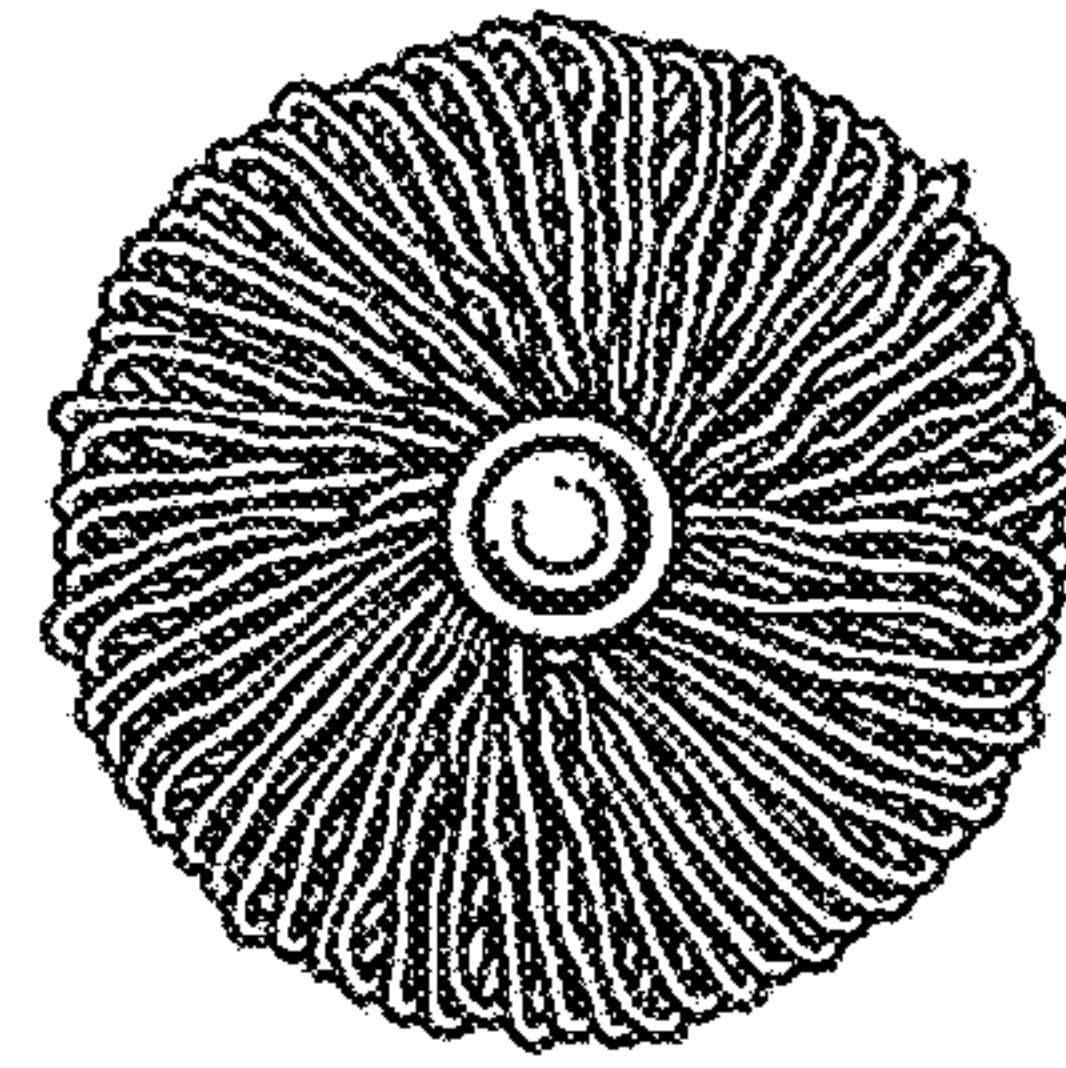


FIG. 3

