



US00D840124S

(12) **United States Design Patent**
Greenberger

(10) **Patent No.:** **US D840,124 S**

(45) **Date of Patent:** **** Feb. 5, 2019**

(54) **ICE SCRAPER**

(71) Applicant: **Hal P. Greenberger**, Natick, MA (US)

(72) Inventor: **Hal P. Greenberger**, Natick, MA (US)

(**) Term: **15 Years**

(21) Appl. No.: **29/596,062**

(22) Filed: **Mar. 4, 2017**

(51) **LOC (11) Cl.** **07-05**

(52) **U.S. Cl.**
USPC **D32/46**

(58) **Field of Classification Search**
USPC D32/40-46; D8/1-14, 80, 94, 107;
D4/127, 130-132, 134-135, 138, 199
CPC .. A46B 13/02; A47J 37/07; A47L 1/16; A47L
13/02; B60S 3/04; B60S 1/38
See application file for complete search history.

(56) **References Cited**

U.S. PATENT DOCUMENTS

3,834,756	A *	9/1974	Grell	B62B 5/0013 296/136.1
D247,029	S *	1/1978	Fairthorne	D12/404
D274,687	S *	7/1984	Hass	D8/7
D297,801	S *	9/1988	Olsson	D8/14
D315,481	S *	3/1991	Bradshaw	D8/14
5,099,540	A *	3/1992	Paschetto	A47L 1/16 15/236.01
D349,592	S *	8/1994	Stoll	15/236.05
D355,529	S *	2/1995	Tsai	D32/42
D361,014	S *	8/1995	Baribeau	D7/402
D382,956	S *	8/1997	Collins	D23/420
5,769,022	A *	6/1998	Luxford	B63B 17/02 114/345
D402,373	S *	12/1998	James	D25/16

D409,058	S *	5/1999	Wrigley	D8/5
6,000,091	A *	12/1999	Bauer	B60J 3/0295 15/236.02
6,471,280	B1 *	10/2002	Fowler	B60J 7/10 280/756
D499,851	S *	12/2004	Kortleven	D32/46
6,863,100	B2 *	3/2005	Neal	A47J 37/0786 150/154
D590,491	S *	4/2009	Kirk	D23/403
D686,560	S *	7/2013	Hamilton	D12/317
8,646,821	B2 *	2/2014	Holcomb	A47J 43/288 294/180
D783,505	S *	4/2017	Neal	D12/400
D807,717	S *	1/2018	Tia	D8/13
10,011,309	B1 *	7/2018	Suzuka	B62D 35/001

* cited by examiner

Primary Examiner — John Windmuller

Assistant Examiner — John R Yeh

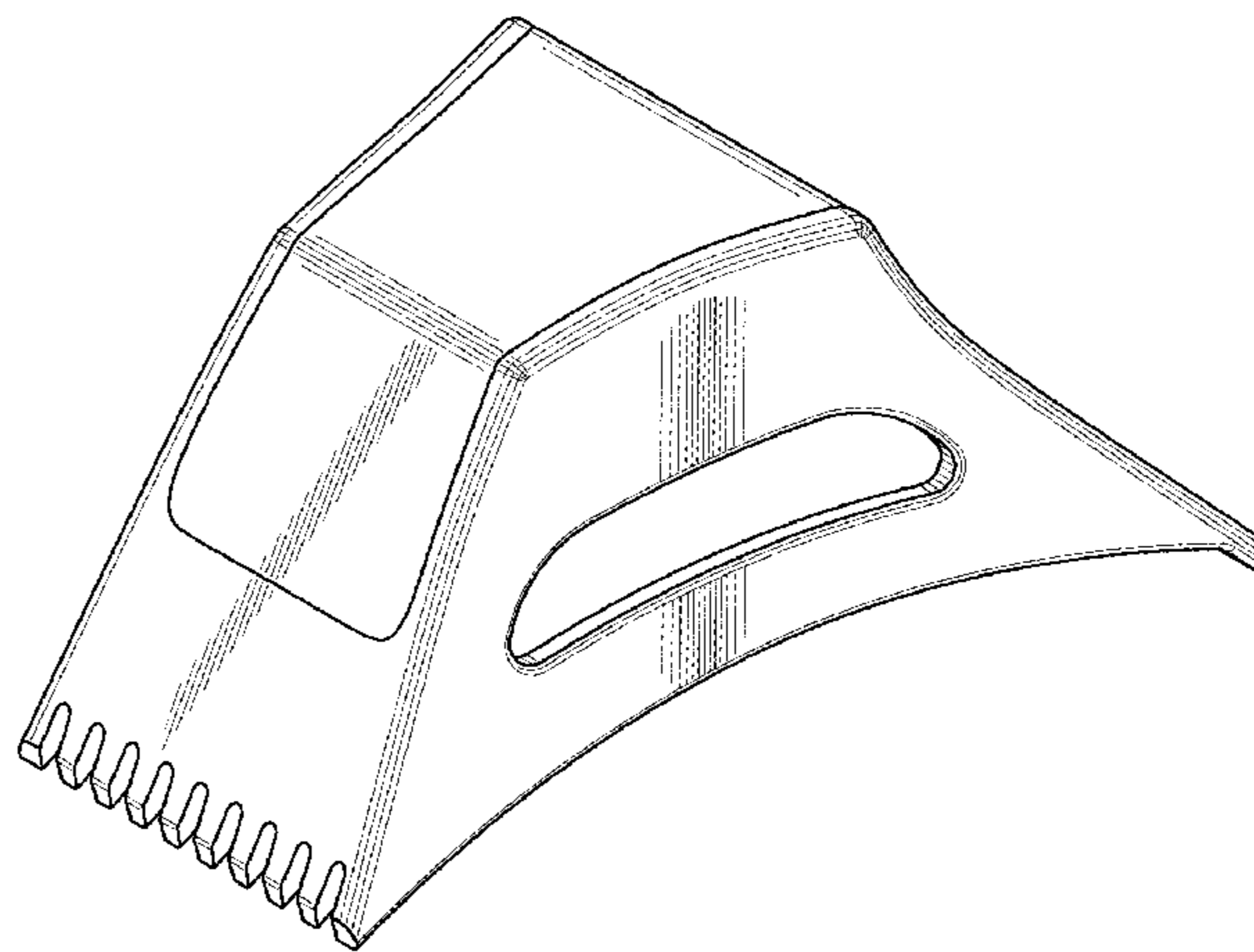
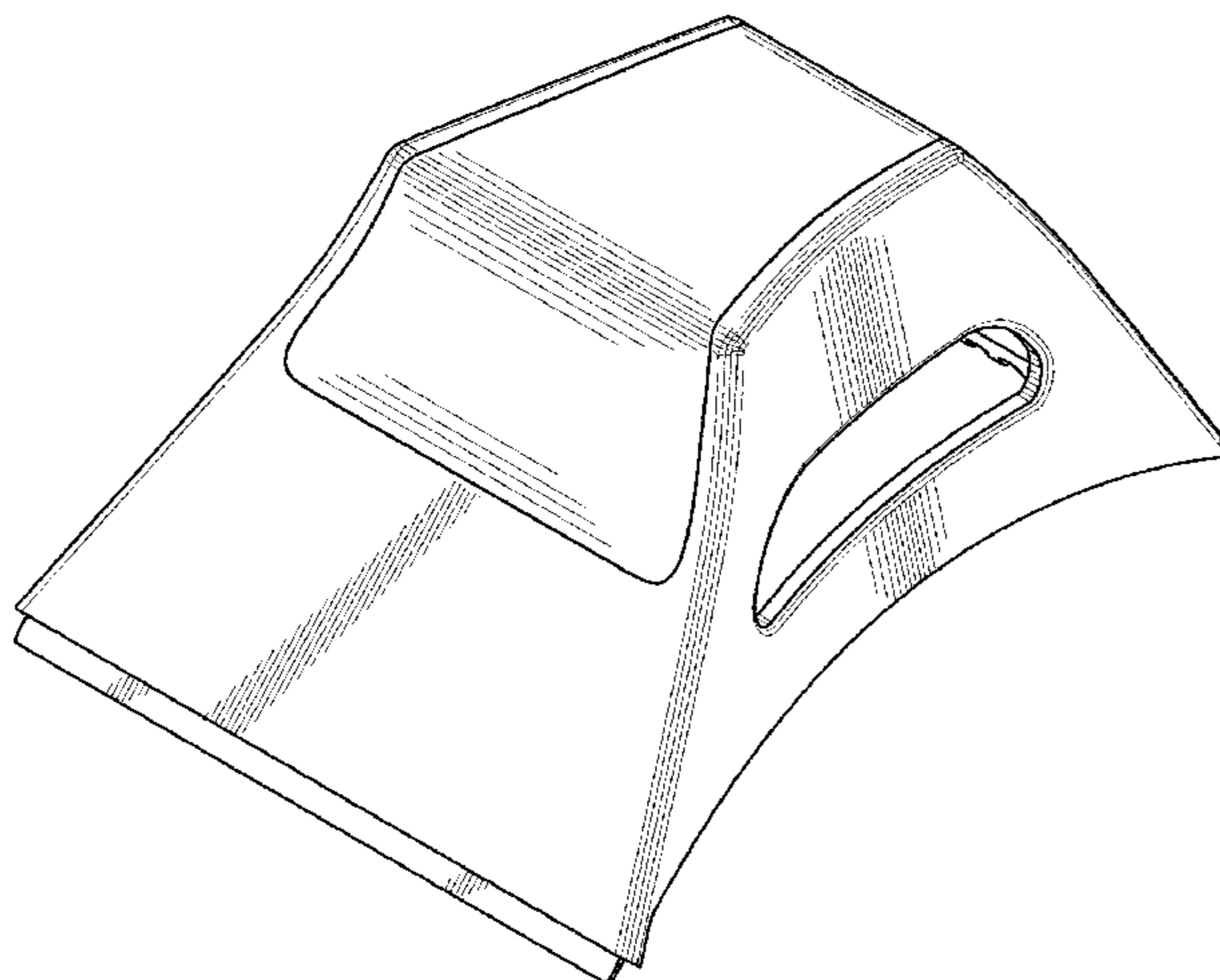
(57) **CLAIM**

The ornamental design for an ice scraper, substantially as shown and described.

DESCRIPTION

FIG. 1 is a front perspective view of a first embodiment of an ice scraper as seen from the front, top, and left side; FIG. 2 is a rear perspective view of the first embodiment ice scraper as seen from the rear, top, and right side; FIG. 3 is front view thereof; FIG. 4 is a back view thereof; FIG. 5 is a top side view thereof; FIG. 6 is a bottom side view thereof; and, FIG. 7 is a right side view thereof. The broken lines in the drawings represent portions of the ice scraper that form no part of the claimed design.

1 Claim, 6 Drawing Sheets



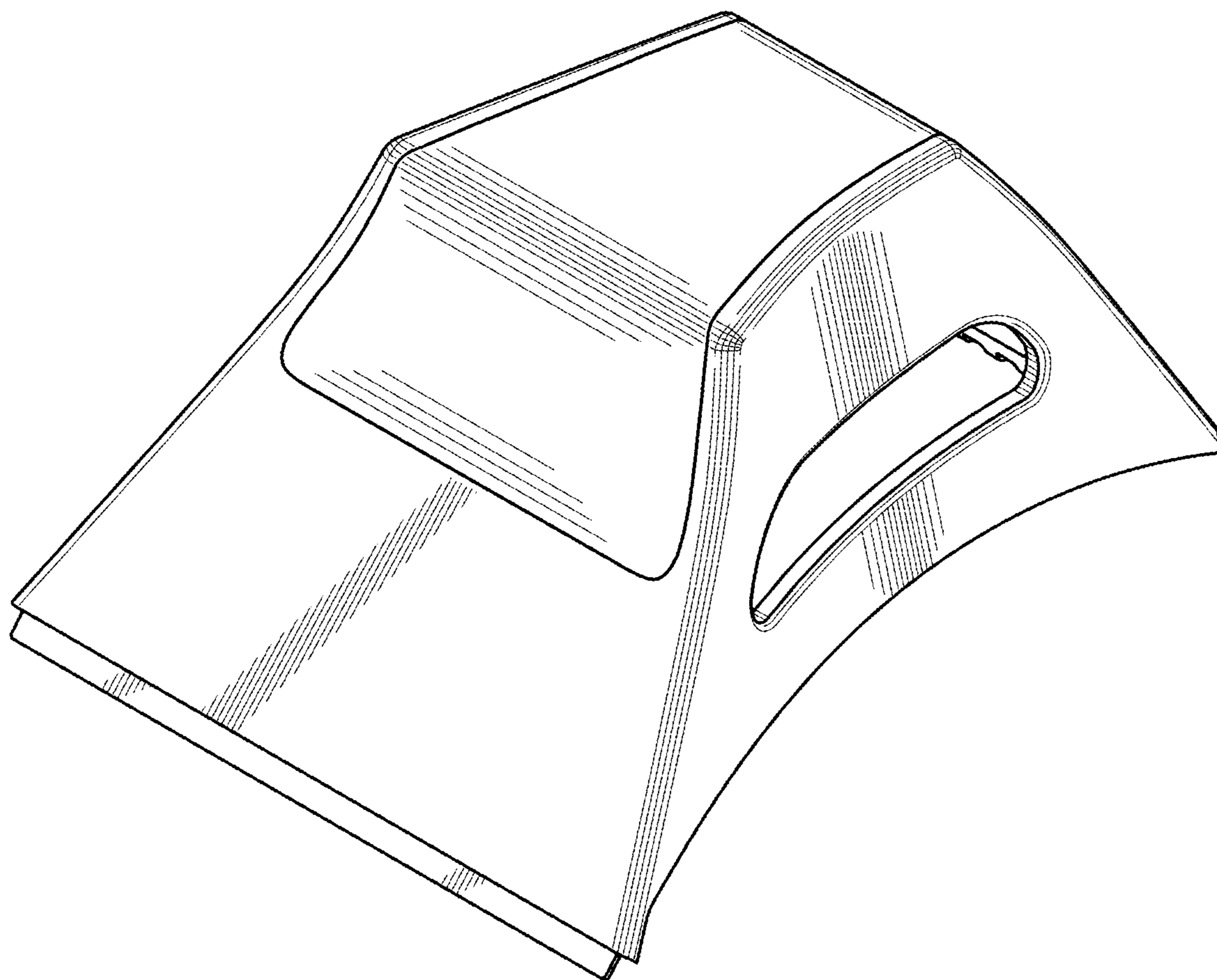


FIG. 1

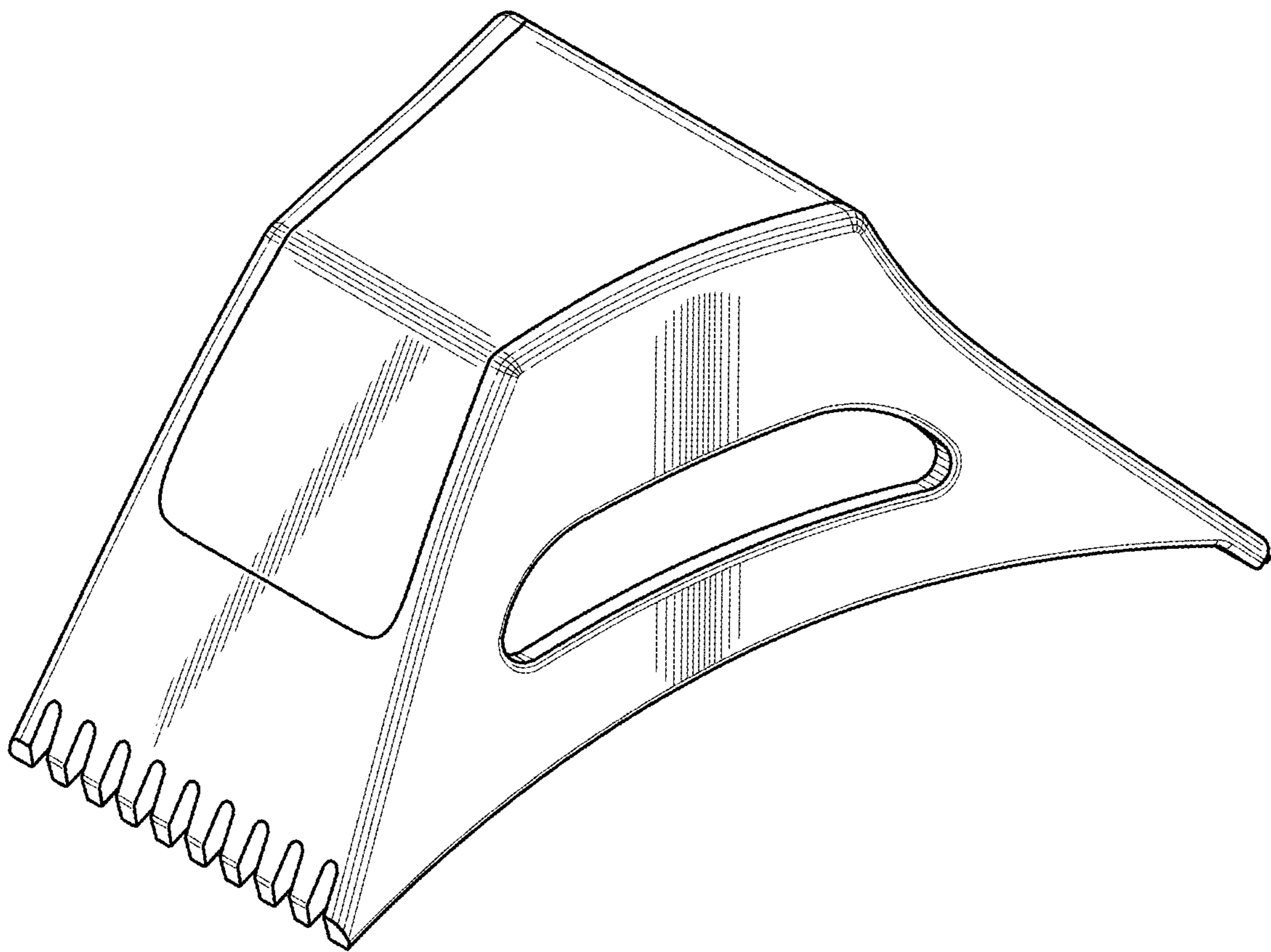


FIG. 2

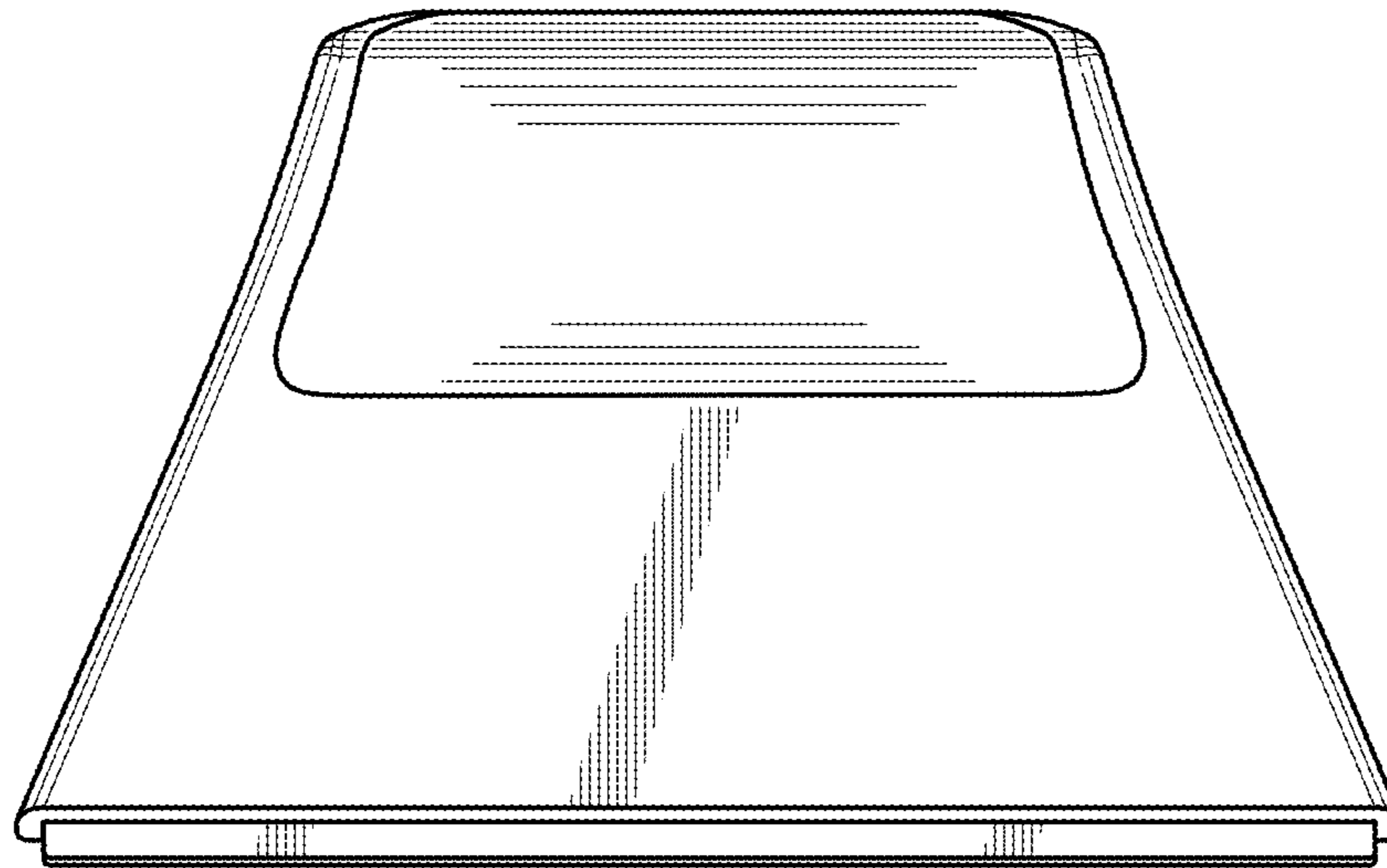


FIG. 3

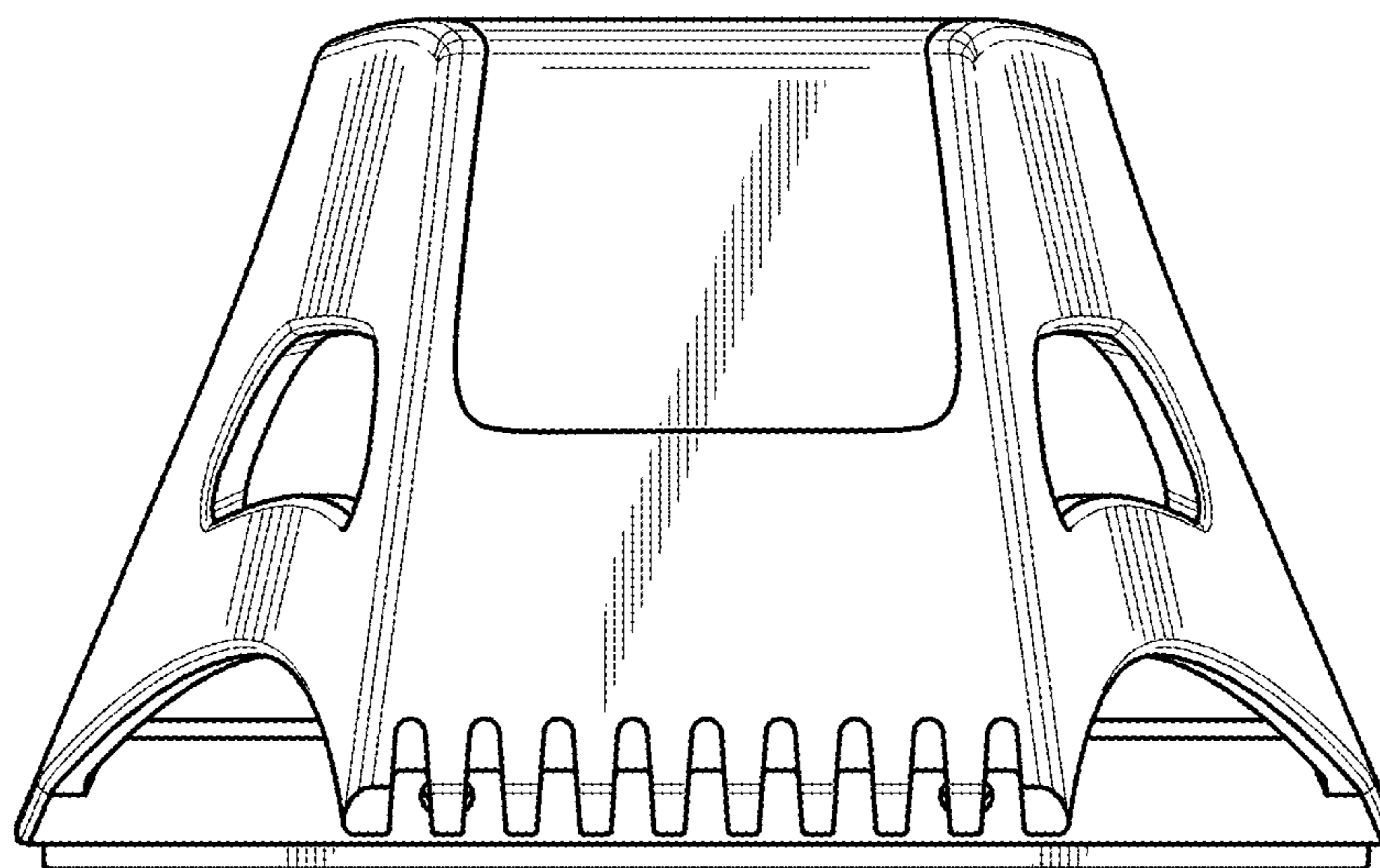


FIG. 4

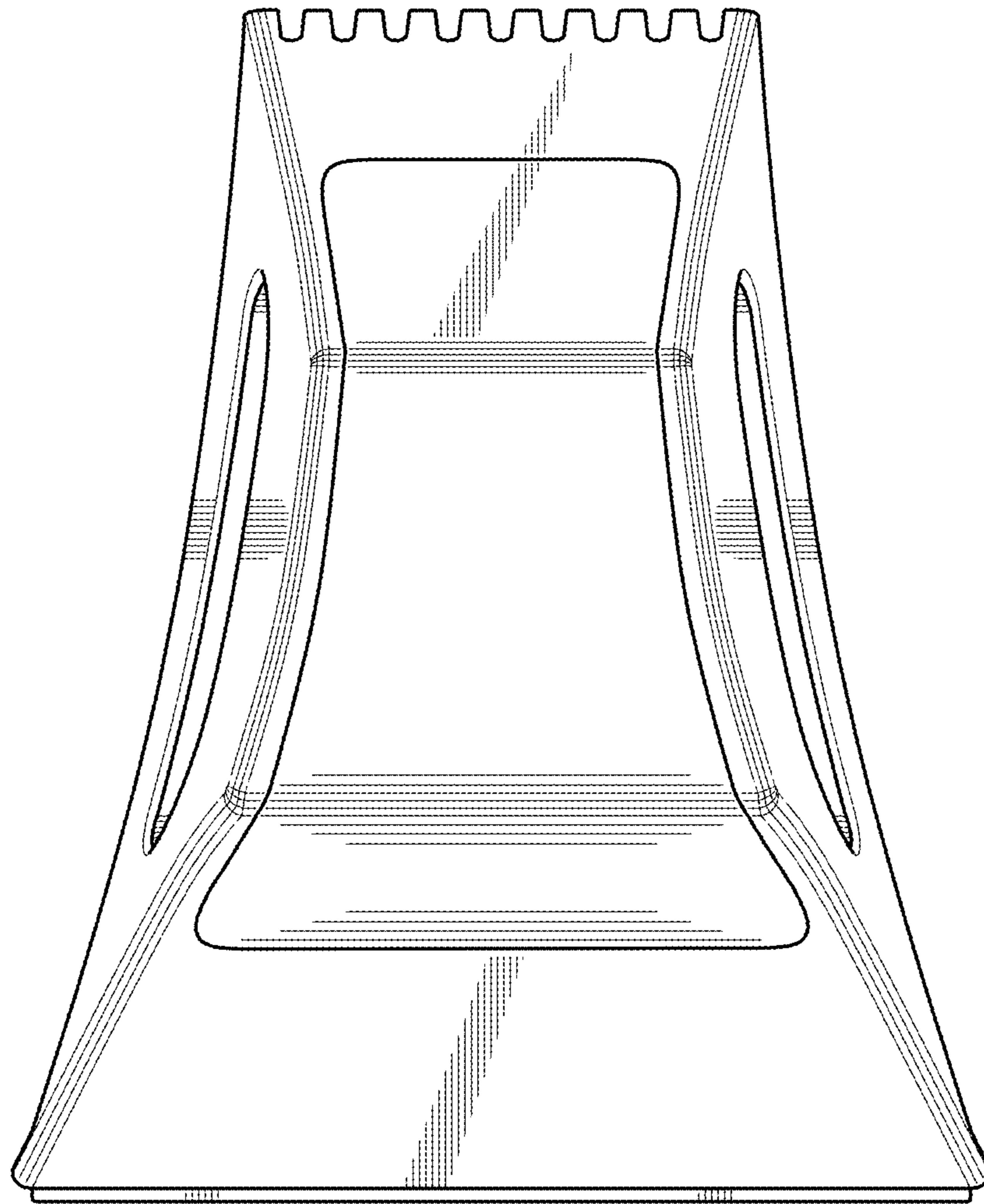


FIG. 5

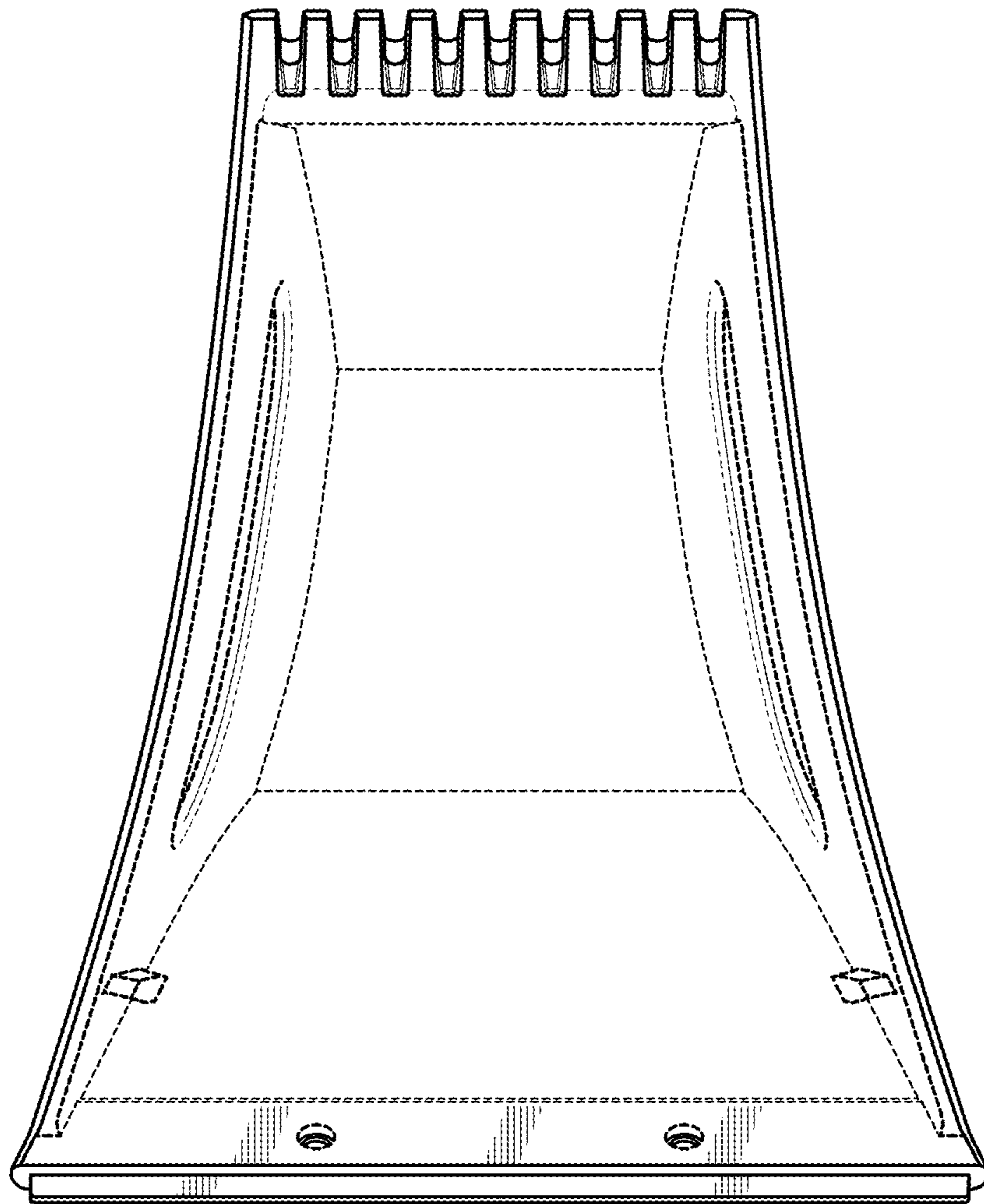


FIG. 6

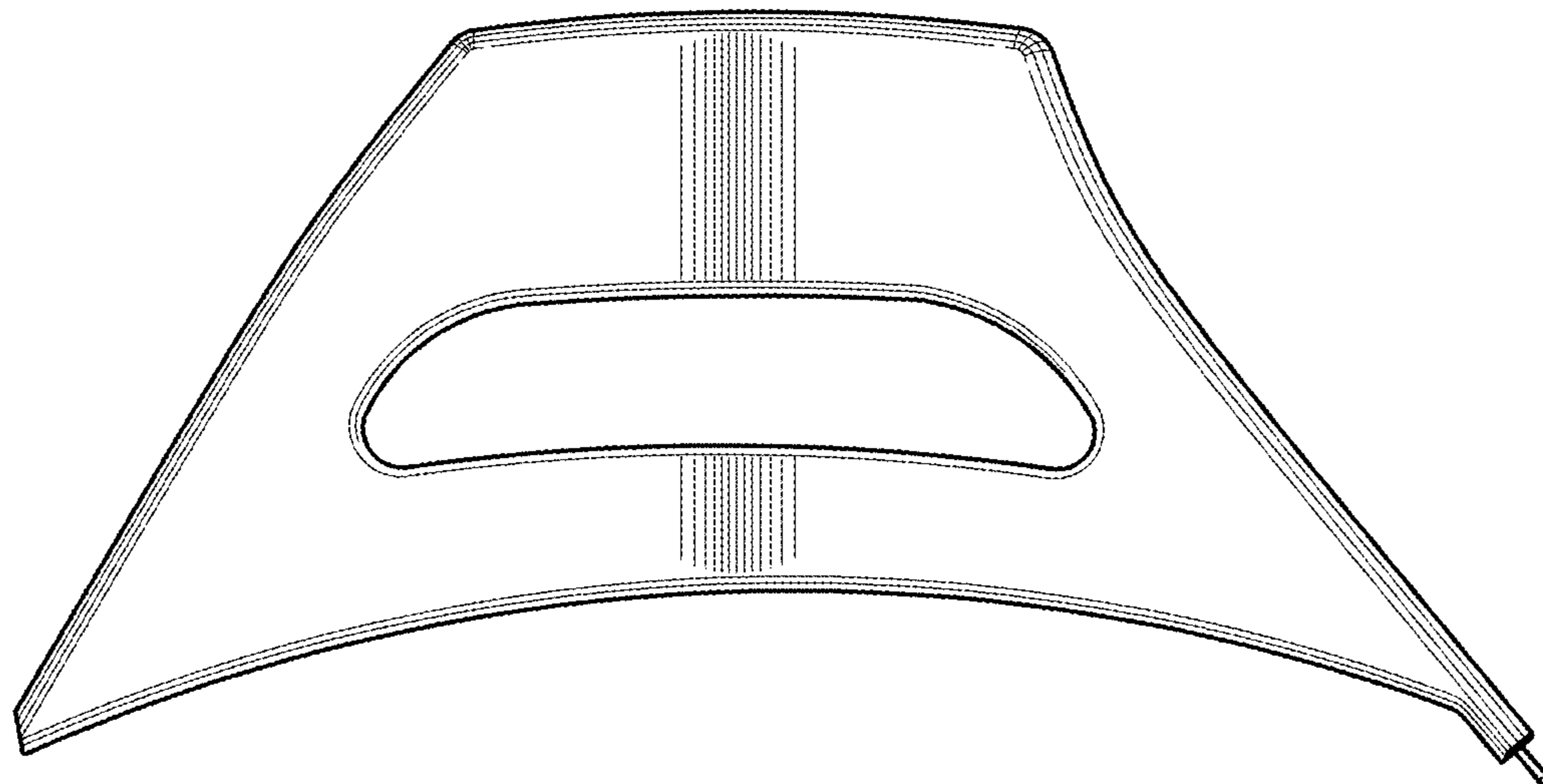


FIG. 7

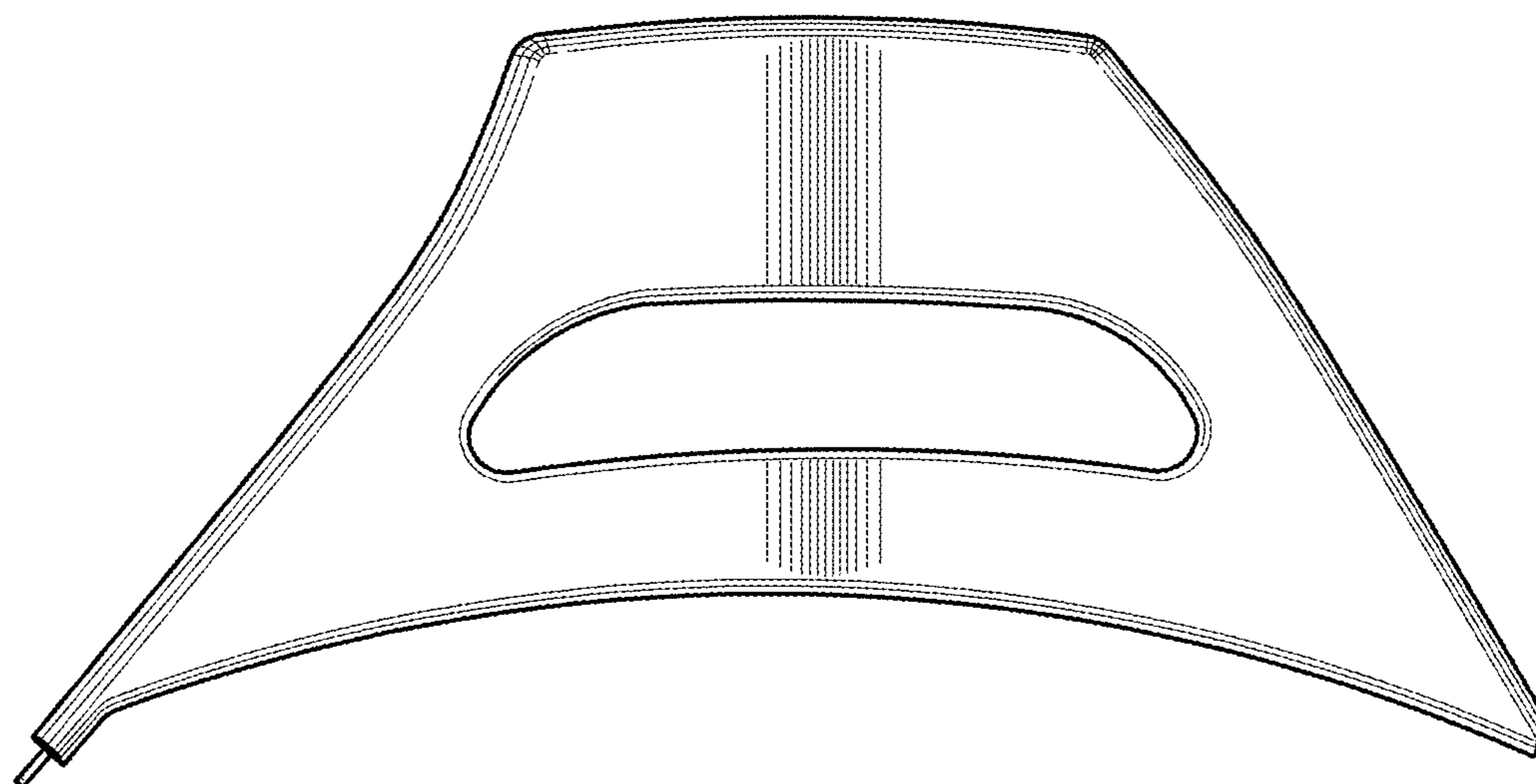


FIG. 8