



US00D840123S

(12) **United States Design Patent** (10) **Patent No.:** **US D840,123 S**  
**Varner** (45) **Date of Patent:** **\*\* Feb. 5, 2019**

(54) **FLOOR WIPER DEVICE FOR SOLID AND LIQUID WASTE**

(71) Applicant: **Donald Varner**, Hollister, CA (US)

(72) Inventor: **Donald Varner**, Hollister, CA (US)

(73) Assignee: **One Pass Water Blade LLC**, Hollister, CA (US)

(\*\*) Term: **15 Years**

(21) Appl. No.: **29/606,071**

(22) Filed: **Jun. 1, 2017**

(51) **LOC (11) Cl.** ..... **07-05**

(52) **U.S. Cl.**  
USPC ..... **D32/41**

(58) **Field of Classification Search**  
USPC ..... D32/40-43, 46-47; D8/101, 107, 45  
CPC ... A47L 1/06; A47L 1/00; A47L 13/20; A47L 13/254; A47L 13/11; A47L 13/10; A47L 13/16; A47L 13/12; G03D 15/02; F16K 1/22; B60S 1/38; A47K 7/03; B41F 15/40; B41F 15/42; B41F 15/14; B41F 15/44

See application file for complete search history.

(56) **References Cited**

**U.S. PATENT DOCUMENTS**

355,298 A \* 1/1887 Bourke ..... A47L 1/06 15/245  
628,958 A \* 7/1899 Pape ..... A47L 1/06 403/200  
635,462 A \* 10/1899 Bourke ..... A47L 1/06 15/245  
639,479 A \* 12/1899 Winquist ..... A47L 1/06 15/245  
730,843 A \* 6/1903 Rostek ..... A47L 1/06 15/245  
911,194 A \* 2/1909 Bailey ..... A47L 1/06 15/245

948,641 A \* 2/1910 Bailey ..... A47L 1/06 15/245  
1,789,636 A \* 1/1931 Oberti ..... A47L 13/11 15/245  
1,964,134 A \* 6/1934 Oberti ..... A47L 13/11 15/245

(Continued)

**FOREIGN PATENT DOCUMENTS**

CN 304086615 \* 3/2017  
EM 004517134-0001 \* 11/2017  
WO WO D087047-001 \* 8/2015

**OTHER PUBLICATIONS**

Condor Escurridor/Squeegee 1127—Walmart.com copyright 2018, <https://www.walmart.com/ip/Condor-Escurridor-Squeegee-1127/164227561>, site visited Sep. 17, 2018.\*

*Primary Examiner* — John Windmuller

*Assistant Examiner* — John R Yeh

(74) *Attorney, Agent, or Firm* — Donald R. Boys; Central Coast Patent Agency LLC

(57) **CLAIM**

I claim the ornamental design for a floor wiper device for solid and liquid waste, as shown and described.

**DESCRIPTION**

FIG. 1 is a front perspective view of the floor wiper device for solid and liquid waste.

FIG. 2 is a rear perspective view thereof.

FIG. 3 is a front view thereof.

FIG. 4 is a back view thereof.

FIG. 5 is a top view thereof.

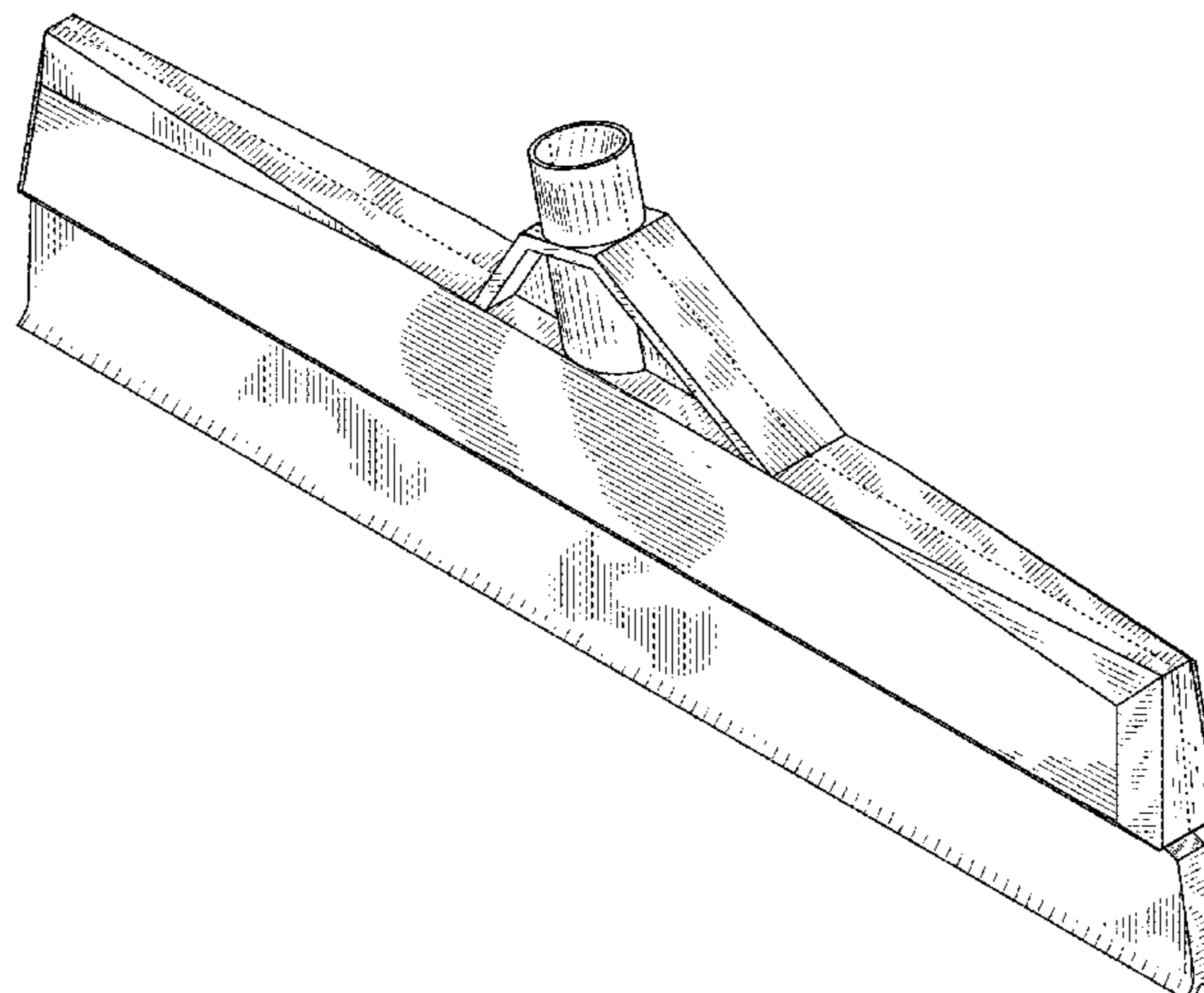
FIG. 6 is a bottom view thereof.

FIG. 7 is a left side view thereof; and,

FIG. 8 is a right side view thereof.

The broken lines in the figures illustrate portions of the floor wiper for solid and liquid waste which form no part of the claimed design.

**1 Claim, 4 Drawing Sheets**



(56)

**References Cited**

U.S. PATENT DOCUMENTS

2,043,775 A \* 6/1936 Rosen ..... A47L 1/06  
15/245  
2,103,198 A \* 12/1937 Siemund ..... A47L 1/06  
15/245  
2,112,462 A \* 3/1938 Hawrylasz ..... A47L 1/06  
15/245  
2,179,223 A \* 11/1939 Siemund ..... A47L 1/06  
15/245  
2,905,959 A \* 9/1959 Ferreira ..... A47L 13/11  
15/245  
2,905,960 A \* 9/1959 Ward ..... A47L 13/11  
15/245  
3,950,813 A \* 4/1976 Buck ..... A47L 1/06  
15/245  
4,716,616 A \* 1/1988 Poon ..... A47L 13/11  
15/144.1  
D296,946 S \* 7/1988 Stirling ..... D32/41  
4,941,228 A \* 7/1990 Belanger ..... A47L 1/06  
15/121  
7,506,399 B2 \* 3/2009 Fortune ..... E01C 19/16  
15/245  
D771,338 S \* 11/2016 Smith ..... D32/41  
9,913,565 B2 \* 3/2018 Smith ..... A47L 13/11  
D824,128 S \* 7/2018 O'Shea ..... D32/46

\* cited by examiner

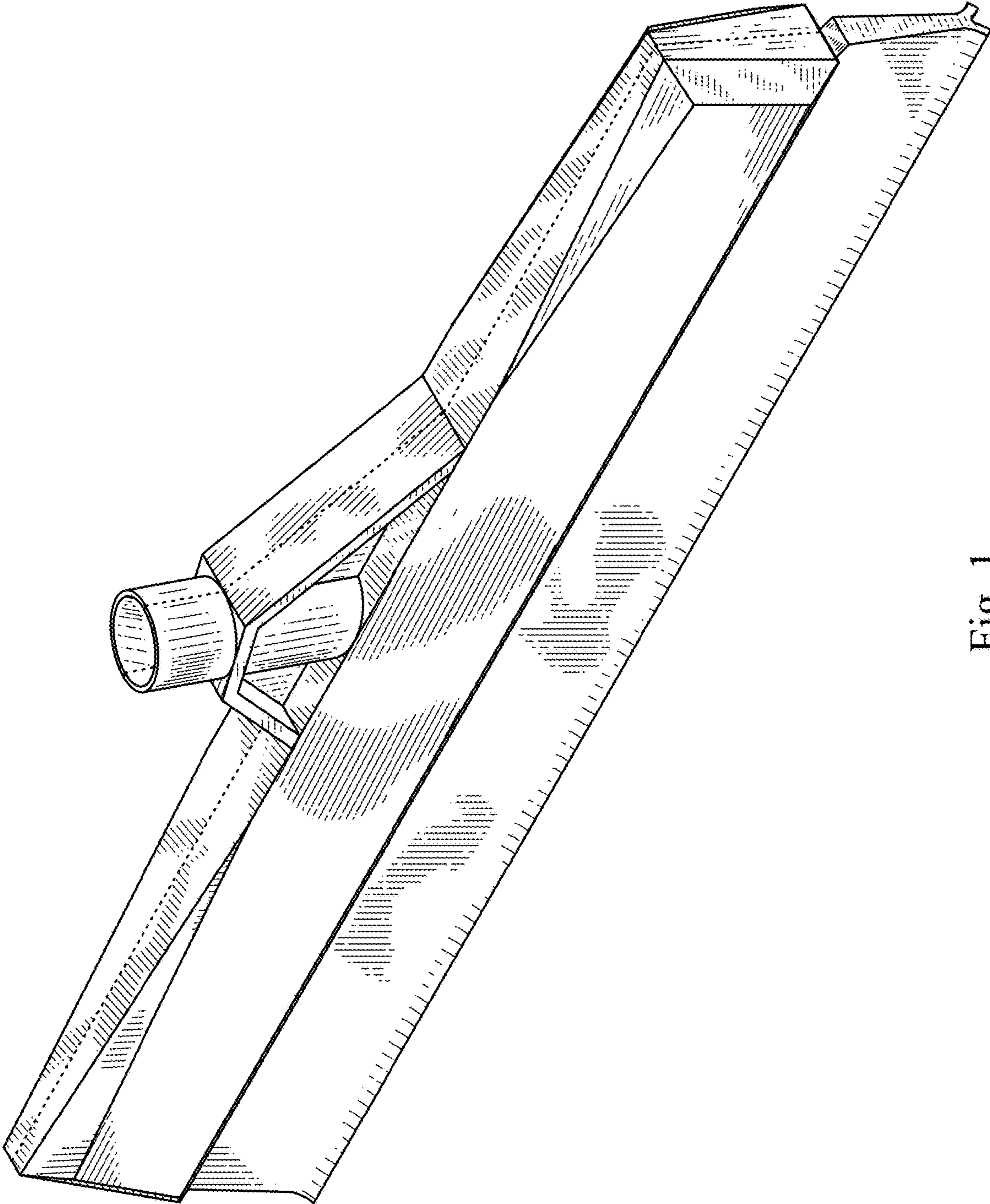


Fig. 1

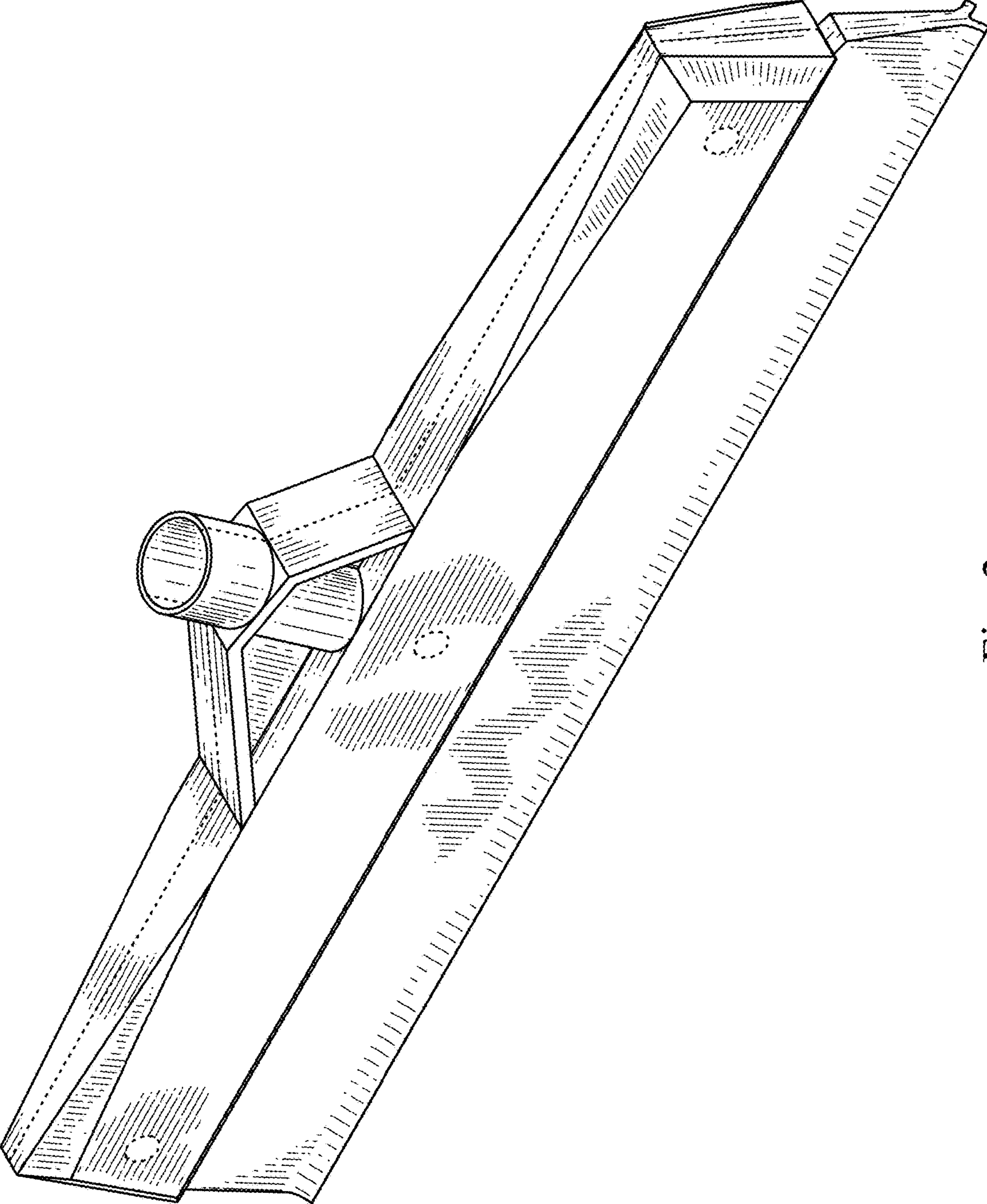


Fig. 2

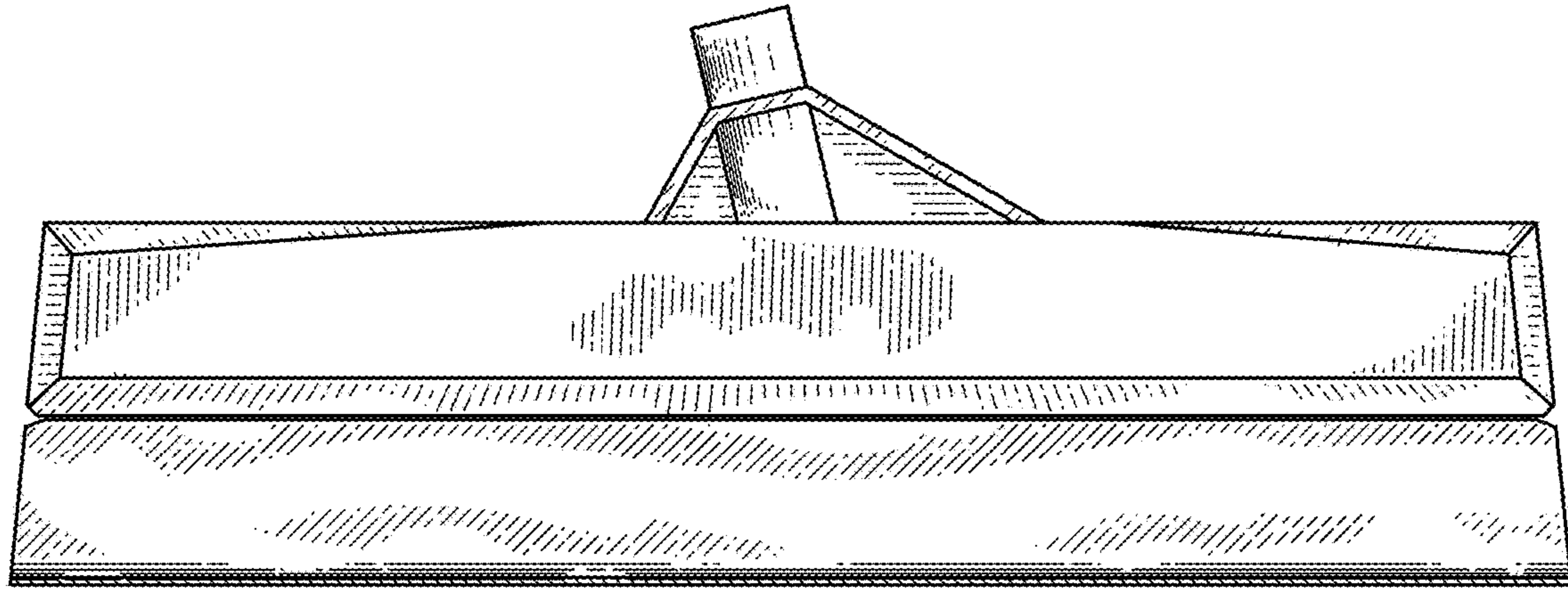


Fig. 3

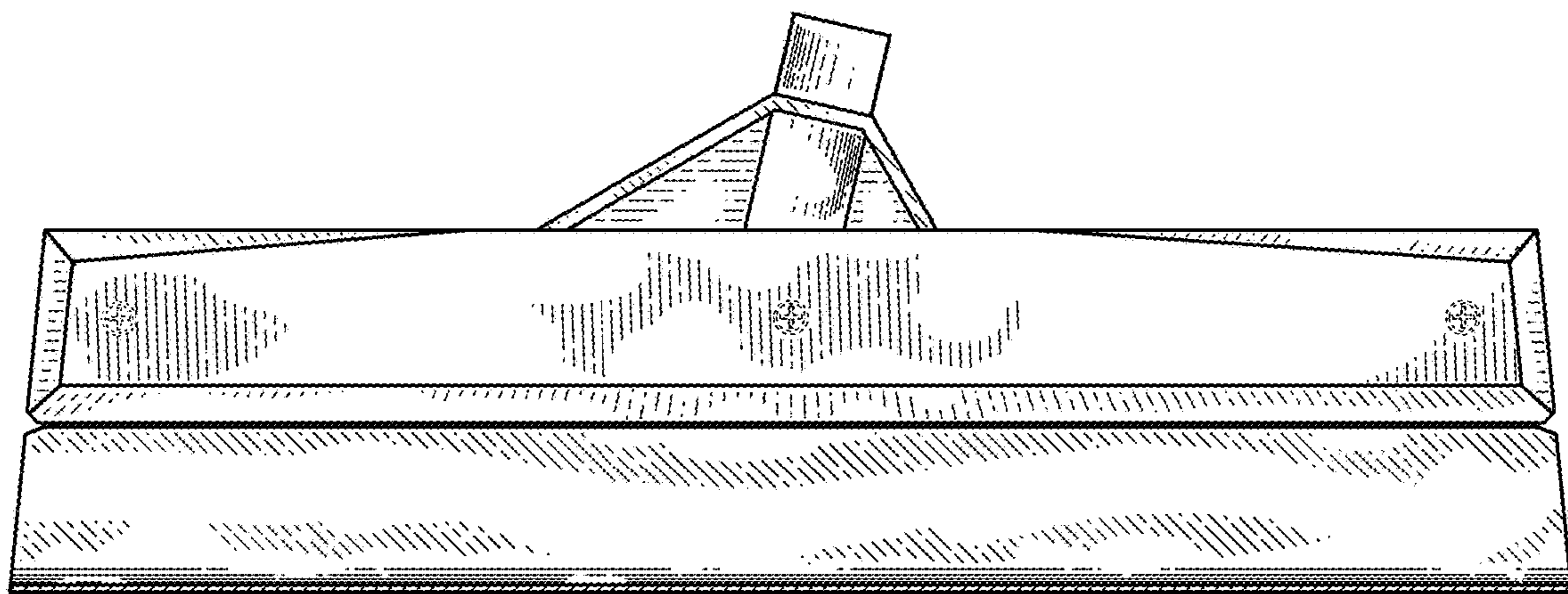


Fig. 4

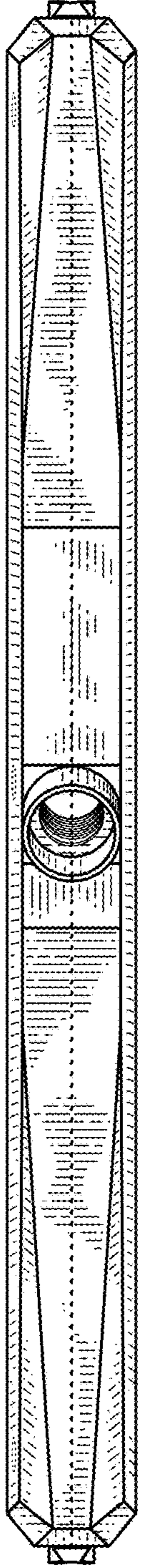


Fig. 5

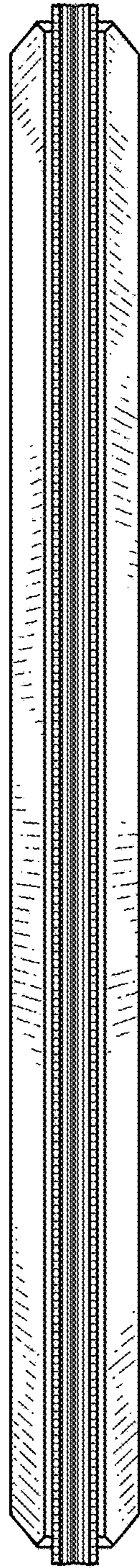


Fig. 6

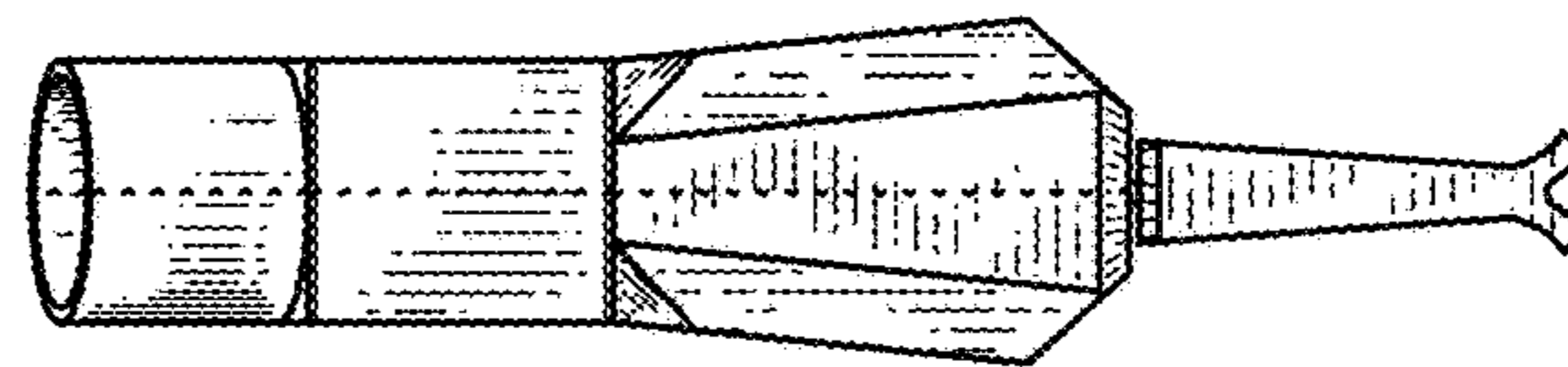


Fig. 7

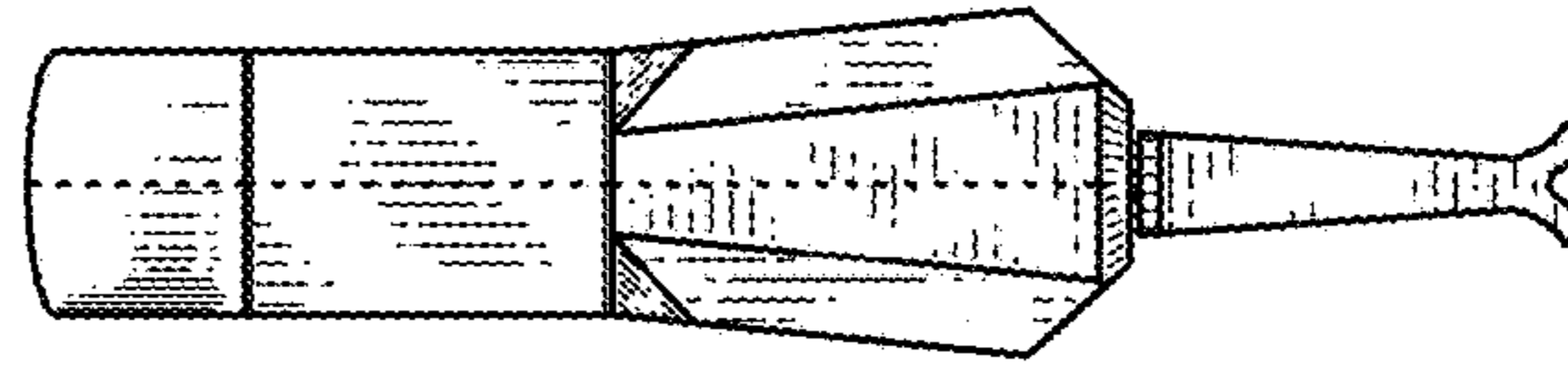


Fig. 8