

US00D840119S

(12) **United States Design Patent** (10) **Patent No.:** **US D840,119 S**
Rogers (45) **Date of Patent:** **** Feb. 5, 2019**

(54) **SMALL CRAFT ANCHOR WINCH**

(71) Applicant: **Thomas W. Rogers**, Brentwood, TN (US)

(72) Inventor: **Thomas W. Rogers**, Brentwood, TN (US)

(**) Term: **15 Years**

(21) Appl. No.: **29/611,278**

(22) Filed: **Jul. 20, 2017**

(51) **LOC (11) Cl.** **12-05**

(52) **U.S. Cl.**
USPC **D32/33**

(58) **Field of Classification Search**
USPC D34/33; 254/266, 362, 382
CPC .. D66D 1/12; D66D 1/20; D66D 1/30; D66D 1/36; D66D 1/46; D66D 1/7489
See application file for complete search history.

(56) **References Cited**

U.S. PATENT DOCUMENTS

3,222,742	A *	12/1965	Persiaux	B66D 3/02 24/134 N
D330,962	S *	11/1992	Cundy	D34/33
D596,369	S *	7/2009	Walstrom	D34/33
D764,139	S *	8/2016	Tsai	D34/33
D795,522	S *	8/2017	Rogers	D34/33
D798,523	S *	9/2017	Jakubowski	D34/33
D819,922	S *	6/2018	Bernard	D34/33
2012/0181492	A1 *	7/2012	Matos	B66D 1/12 254/323

OTHER PUBLICATIONS

Powerwinch, Owner's Manual: 24' Class Rope Anchor Winch, Fishing and Pontoon Boat Anchor Winch, May 2012, p. 1-12, USA.
TRAC Outdoor Products Co., TRAC Outdoor Products 2014 Catalog, pp. 1-9, TRAC Outdoor Products Co.
TRAC Outdoor Products Co., TRAC Outdoor Products 2015 Catalog, pp. 1-16, TRAC Outdoor Products Co.

TRAC Outdoor Products Co., TRAC Outdoor Products 2016 Catalog, pp. 1-20, TRAC Outdoor Products Co.
TRAC Outdoor Products Co., TRAC Outdoor Products 2017 Catalog, pp. 1-18, TRAC Outdoor Products Co.
Johnson Outdoors Marine Electronics, Inc., Minn Kota DeckHand Model 25: Owner's Manual, Rev. I, 2010, 12 pages, Johnson Outdoors Marine Electronics, Inc.
Johnson Outdoors Marine Electronics, Inc., Minn Kota DeckHand Model: DH40 Owner's Manual, Rev. F, 2010, 8 pages, Johnson Outdoors Marine Electronics, Inc.

* cited by examiner

Primary Examiner — Cynthia Ramirez

(74) *Attorney, Agent, or Firm* — Patterson Intellectual Property Law, P.C.; Edward D. Lanquist, Jr.; Alex H. Huffstutter

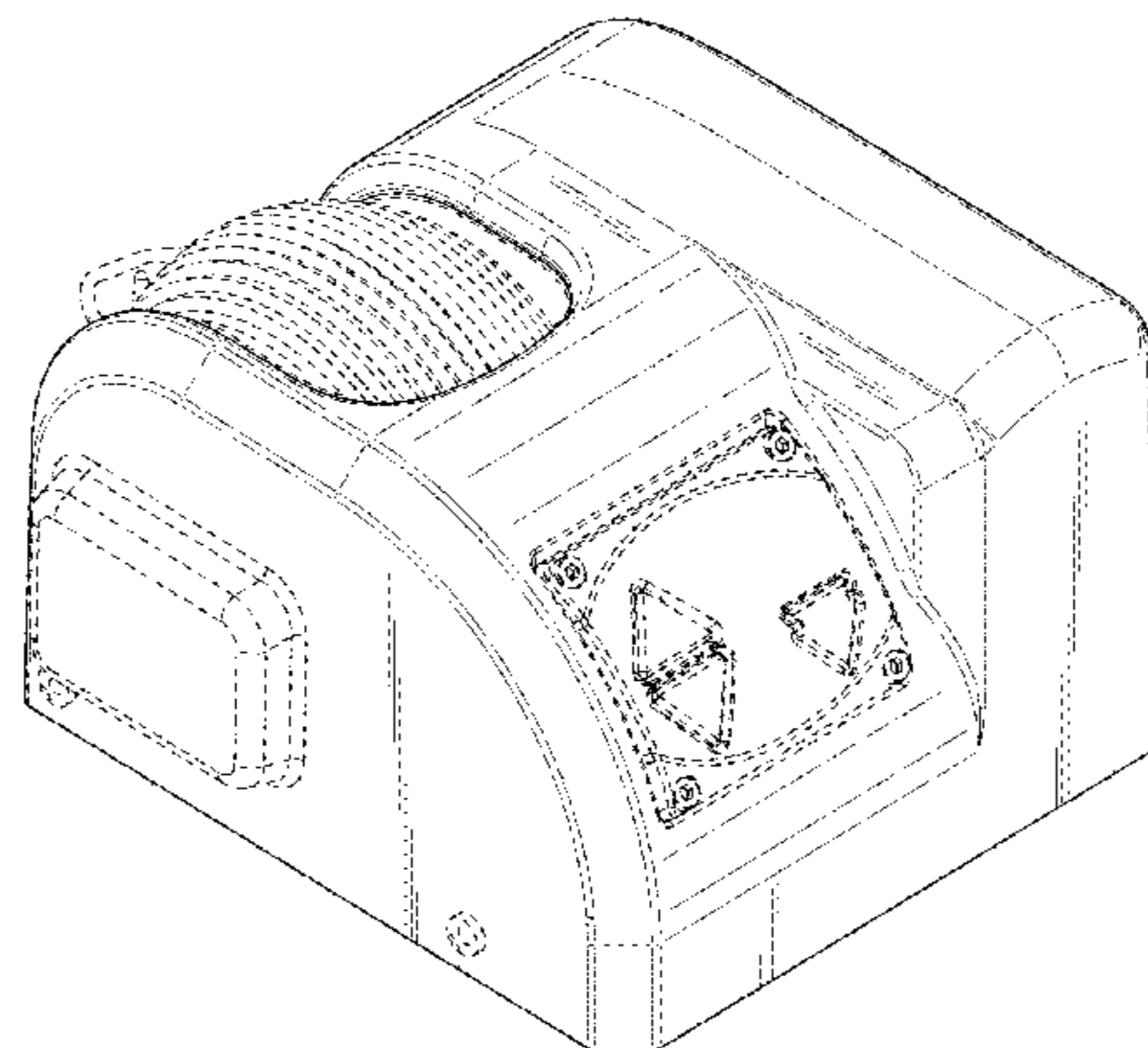
(57) **CLAIM**

The ornamental design for a small craft anchor winch, as shown and described.

DESCRIPTION

FIG. 1 is a front perspective view showing the small craft anchor winch showing my new design.
FIG. 2 is a rear perspective view of the small craft anchor winch of FIG. 1.
FIG. 3 is a rear elevation view of the small craft anchor winch of FIG. 1.
FIG. 4 is a front elevation view of the small craft anchor winch of FIG. 1.
FIG. 5 is a right side elevation view of the small craft anchor winch of FIG. 1.
FIG. 6 is a left side elevation view of the small craft anchor winch of FIG. 1; and,
FIG. 7 is a top plan view of the small craft anchor winch of FIG. 1.
The broken lines shown in the figures are for the purpose of illustrating environmental structure and form no part of the claimed design.

1 Claim, 5 Drawing Sheets



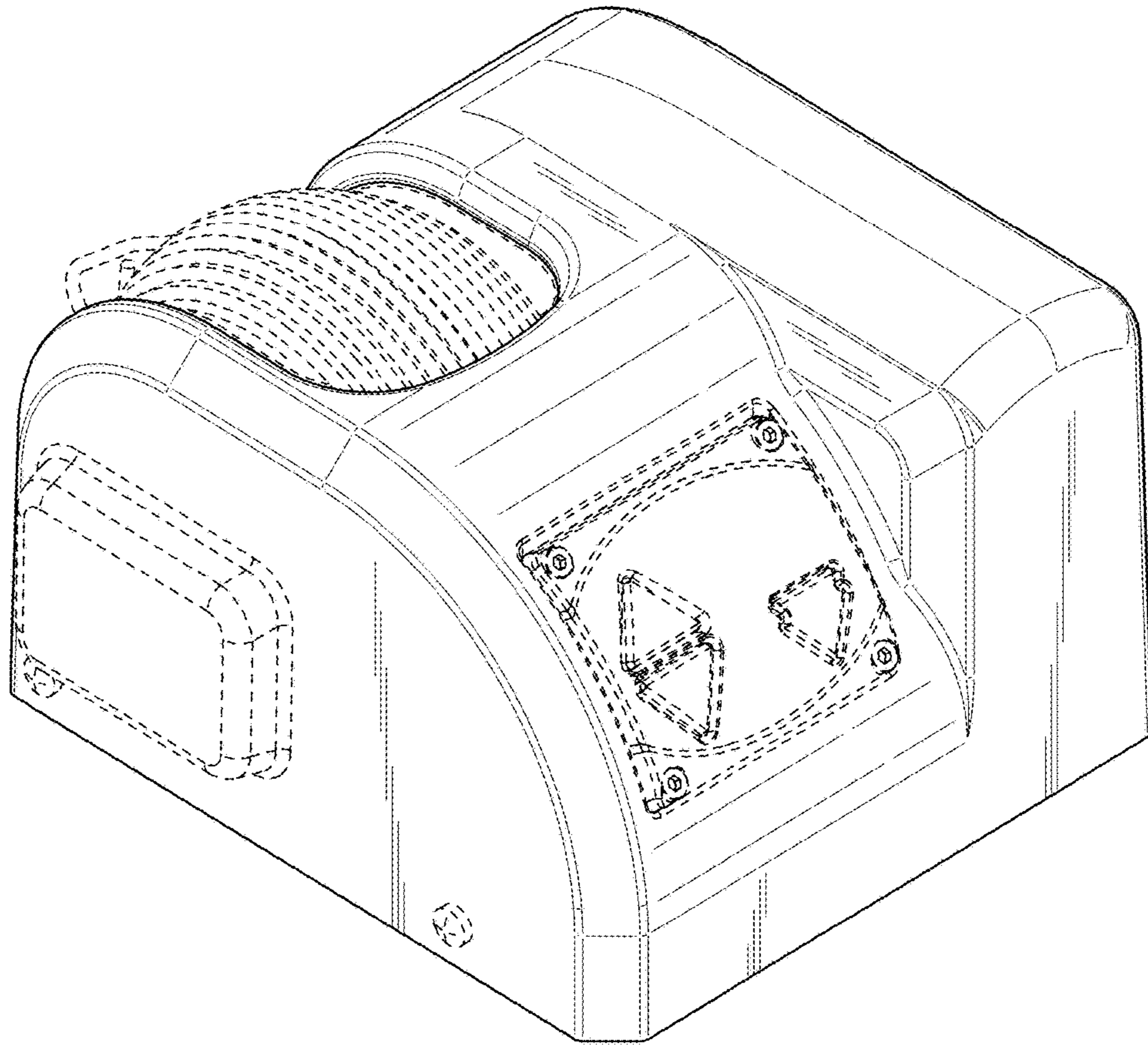


FIG. 1

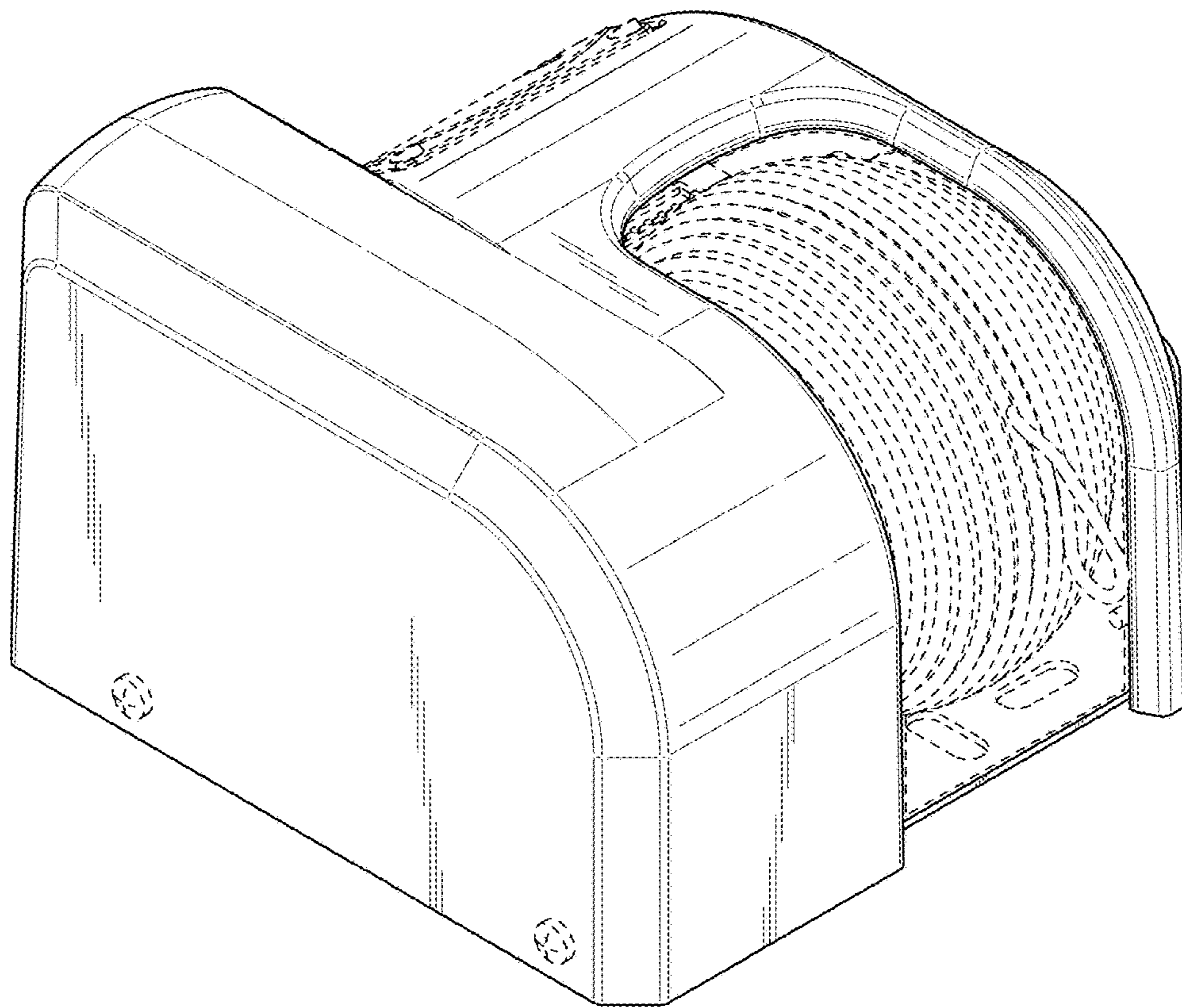


FIG. 2

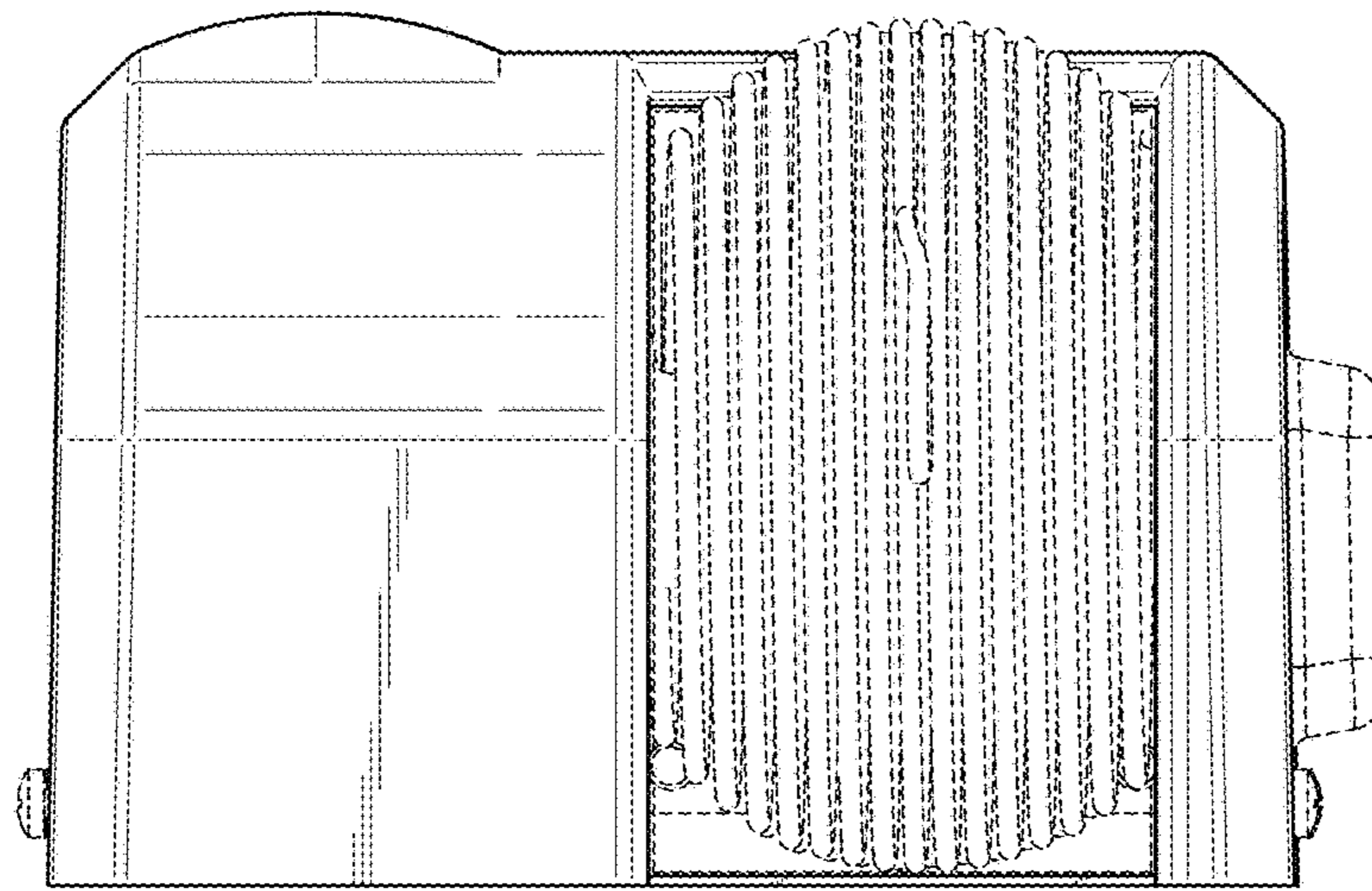


FIG. 3

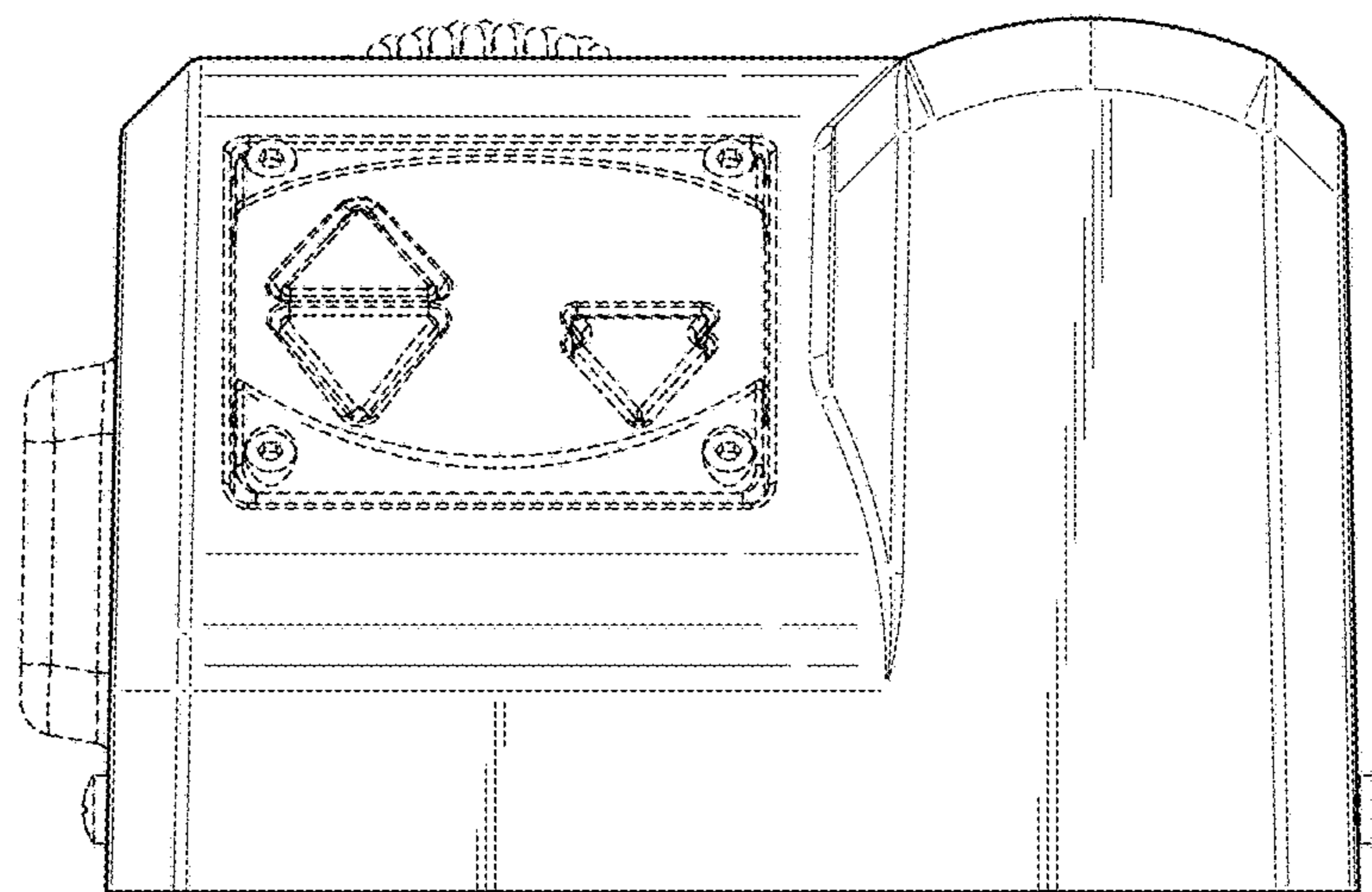


FIG. 4

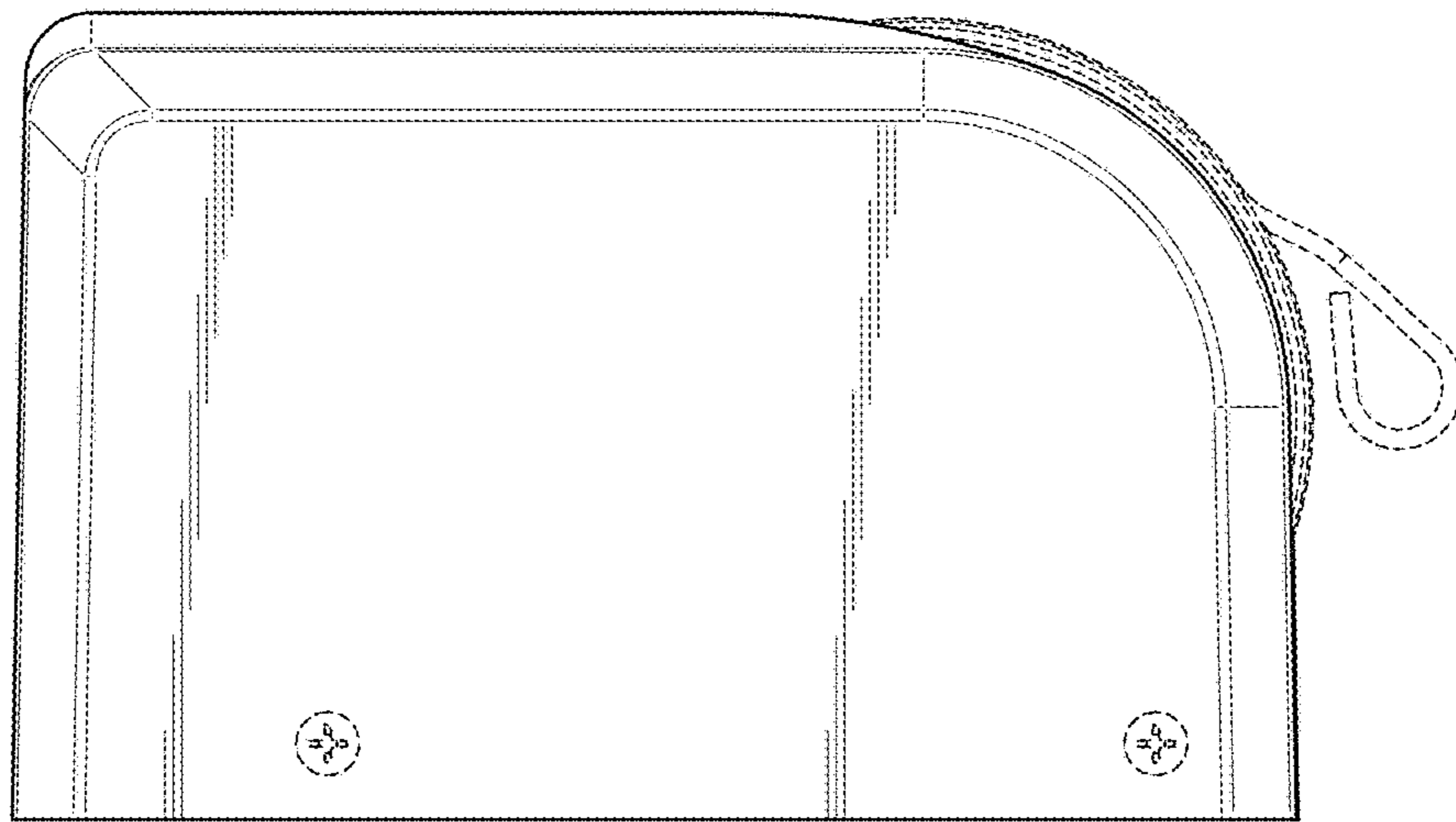


FIG. 5

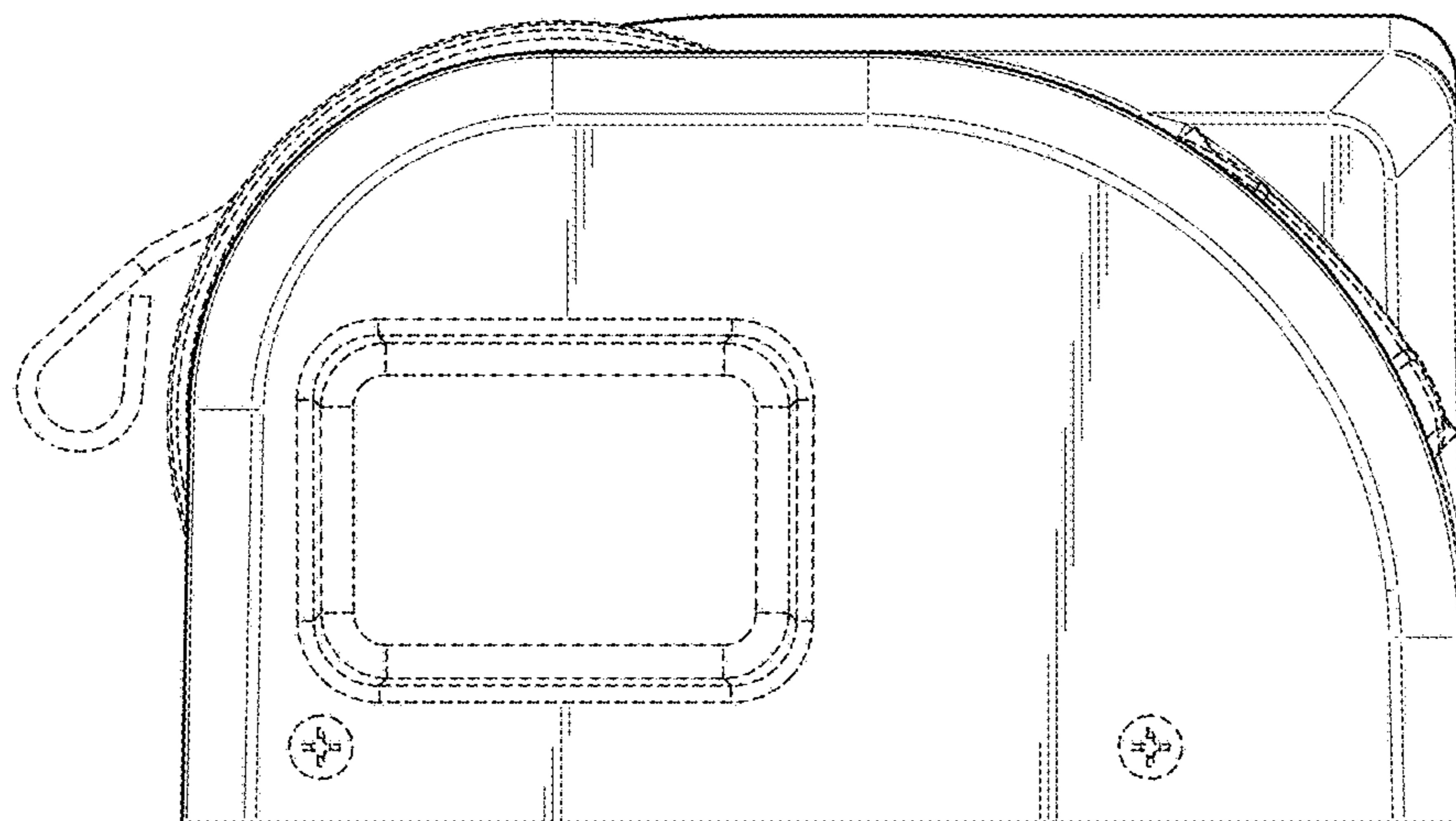


FIG. 6

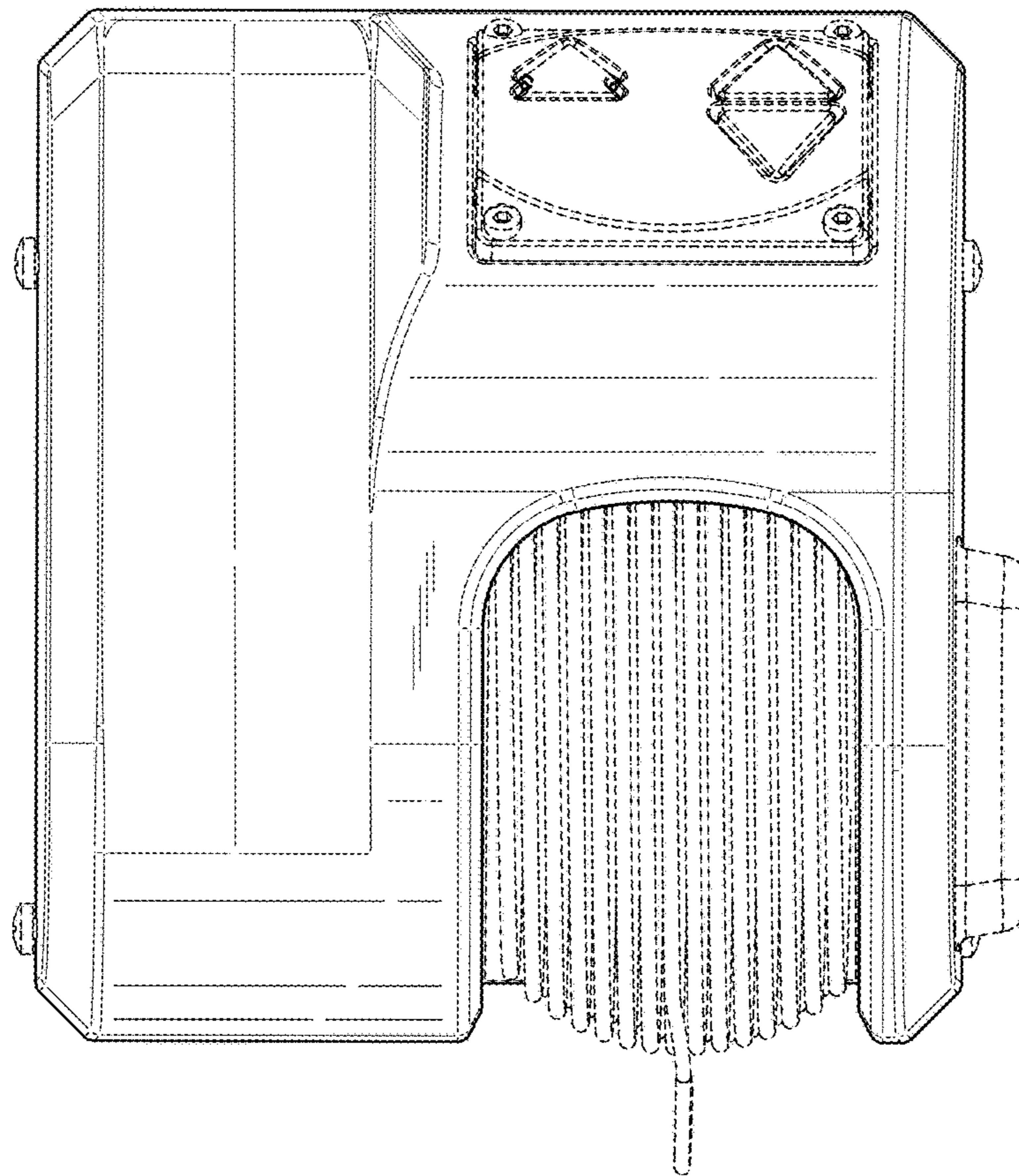


FIG. 7